



US00D994574S

(12) **United States Design Patent**
Zolotuhin

(10) **Patent No.:** **US D994,574 S**

(45) **Date of Patent:** **** Aug. 8, 2023**

(54) **PONTOON BOAT HULL WITH A FRONT WAVE DEFLECTOR PANEL AND SUPPORT PYLONS**

(71) Applicant: **Mihail Zolotuhin**, Sandy, UT (US)

(72) Inventor: **Mihail Zolotuhin**, Sandy, UT (US)

(**) Term: **15 Years**

(21) Appl. No.: **29/769,268**

(22) Filed: **Feb. 4, 2021**

(51) **LOC (14) Cl.** **12-06**

(52) **U.S. Cl.**
USPC **D12/300**

(58) **Field of Classification Search**
USPC D12/300, 302-304, 306-308, 310,
D12/312-318, 413; D21/542, 544
CPC B63B 1/00; B63B 1/042; B63B 1/125; B63B
7/00; B63B 34/10; B63B 17/00; B63B
17/02; B63H 8/00; B63H 9/00
See application file for complete search history.

(56) **References Cited**

U.S. PATENT DOCUMENTS

4,562,786 A 1/1986 Pruonto
D298,310 S 11/1988 Robbins
5,105,755 A 4/1992 Davidson
D341,811 S 11/1993 Pepper
D369,337 S 4/1996 Stevens

(Continued)

FOREIGN PATENT DOCUMENTS

CA 2414545 A1 7/2004
CN 307129497 * 2/2022

(Continued)

OTHER PUBLICATIONS

High Performance Triple Pontoon Boats, announced in YouTube on Jun. 11, 2012 [online], [site visited Nov. 23, 2022], Available from the internet URL: <https://www.youtube.com/watch?v=cTw5UQuZaGA>.*

(Continued)

Primary Examiner — Darlington Ly
Assistant Examiner — D. Ryan Tisdale
(74) *Attorney, Agent, or Firm* — Peterson IP; Brett Peterson

(57) **CLAIM**

The ornamental designs for the pontoon boat hull with a front wave deflector panel and support pylons, as shown and described.

DESCRIPTION

FIG. 1 is an upper isometric view of a pontoon boat hull with a front wave deflector panel and support pylons.

FIG. 2 is a lower isometric view of the pontoon boat hull with a front wave deflector panel and support pylons of FIG. 1.

FIG. 3 is a top side view of the pontoon boat hull with a front wave deflector panel and support pylons of FIG. 1.

FIG. 4 is a bottom side view of the pontoon boat hull with a front wave deflector panel and support pylons of FIG. 1.

FIG. 5 is a left side view of the pontoon boat hull with a front wave deflector panel and support pylons of FIG. 1.

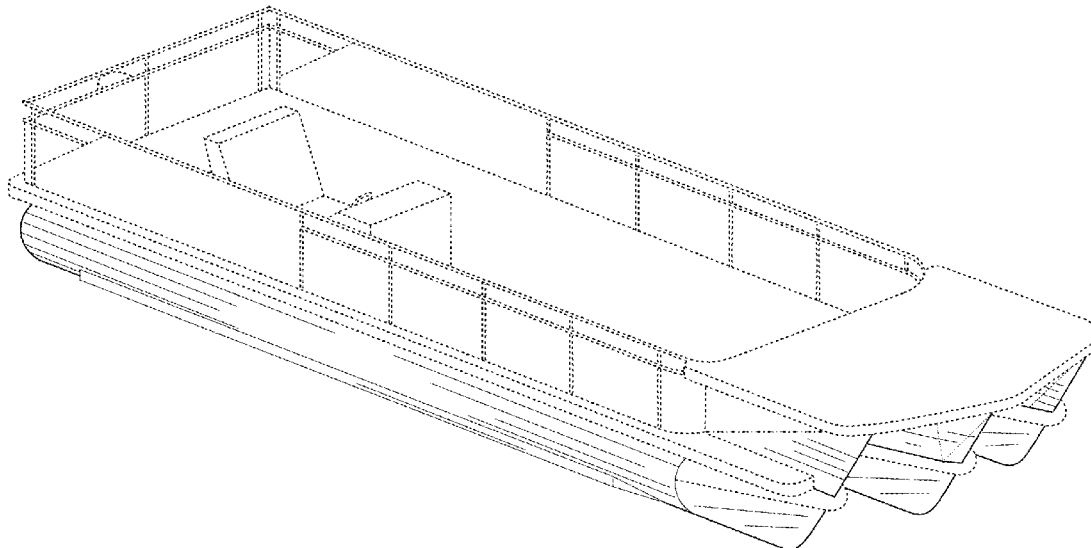
FIG. 6 is a right side view of the pontoon boat hull with a front wave deflector panel and support pylons of FIG. 1.

FIG. 7 is a front side view of the pontoon boat hull with a front wave deflector panel and support pylons of FIG. 1; and,

FIG. 8 is a rear side view of the pontoon boat hull with a front wave deflector panel and support pylons of FIG. 1.

The broken lines shown in the drawings illustrate portions of the pontoon boat with elevated front wave deflector panel that form no part of the claimed design. The dot-dash lines shown in the drawings indicate boundaries of the claimed design.

1 Claim, 8 Drawing Sheets



(56)

References Cited

U.S. PATENT DOCUMENTS

5,540,169 A 7/1996 Davis
 5,706,752 A 1/1998 Menne
 5,746,146 A 5/1998 Bixel
 6,209,477 B1 4/2001 Biedenweg
 D516,495 S 3/2006 Menne
 7,028,632 B2 4/2006 Blank
 7,107,926 B2 9/2006 Fishburn
 7,484,472 B1 2/2009 Highfield
 7,950,340 B1* 5/2011 Curtis B63B 1/125
 114/61.1
 D641,747 S 7/2011 Gisborne
 8,056,496 B1 11/2011 Bussa
 8,336,476 B2 12/2012 Keck
 8,770,136 B2 7/2014 Larson
 9,302,740 B2 4/2016 O'Neal
 9,475,548 B1 10/2016 Slocum
 D770,965 S* 11/2016 Deurr B63B 35/38
 D12/300
 D773,373 S 12/2016 Mayes
 D780,087 S 2/2017 Deurr
 9,586,655 B1 3/2017 Butler
 9,611,008 B1 4/2017 O'Neal
 9,688,368 B2 6/2017 Schaefer
 9,783,267 B1 10/2017 Alexander
 D810,651 S 2/2018 Gaskins
 9,914,507 B2 3/2018 Falahee
 9,981,721 B2 5/2018 Deurr
 10,017,235 B2 7/2018 Pappas
 10,308,320 B1 6/2019 O'Neal
 10,486,772 B1 11/2019 Sohm
 D868,666 S 12/2019 Zolotuhin
 D872,003 S 1/2020 Zolotuhin
 10,583,902 B2 3/2020 Zolotuhin
 D895,526 S 9/2020 Zolotuhin
 10,953,955 B1* 3/2021 Fieldhouse B63B 1/32
 11,312,450 B1* 4/2022 Rose B63H 21/30

2007/0022938 A1 2/2007 Fishburn
 2007/0221114 A1 9/2007 Schaaf
 2007/0295255 A1 12/2007 Stryjewski
 2007/0295264 A1 12/2007 Fishburn
 2009/0031939 A1* 2/2009 Fishburn B63B 35/38
 114/292
 2009/0293790 A1* 12/2009 Bogard B63B 35/613
 114/61.2
 2010/0229775 A1 9/2010 Cochran
 2013/0025519 A1 1/2013 Cooney
 2013/0025527 A1 1/2013 Cooney
 2014/0165893 A1 6/2014 O'Neal
 2017/0029069 A1 2/2017 Deurr
 2018/0312230 A1* 11/2018 Zolotuhin B63B 43/04
 2022/0266971 A1* 8/2022 Kraus B63B 1/125

FOREIGN PATENT DOCUMENTS

DE 3924362 A1 1/1991
 EM 001790221-0001 * 12/2010
 EM 008652119-0004 * 8/2021
 FR 2261923 A1 9/1975
 JP 2003327193 A 11/2003
 JP 2010064724 A 3/2010
 JP 2011152891 A 8/2011
 JP 2012162116 A 8/2012
 WO WO 2016/193169 A1 12/2016

OTHER PUBLICATIONS

Pontoon Bow Improvement, announced in YouTube on Feb. 18, 2018 [online], [site visited Nov. 23, 2022], Available from the internet URL: https://www.youtube.com/watch?v=h8Ock9_8tFg.
 Tritoons: The Ultimate "Do All" Boats, announced in YouTube on Feb. 20, 2018 [online], [site visited Nov. 23, 2022], Available from the internet URL: <https://www.youtube.com/watch?v=YyGYiqUCt-M>.

* cited by examiner

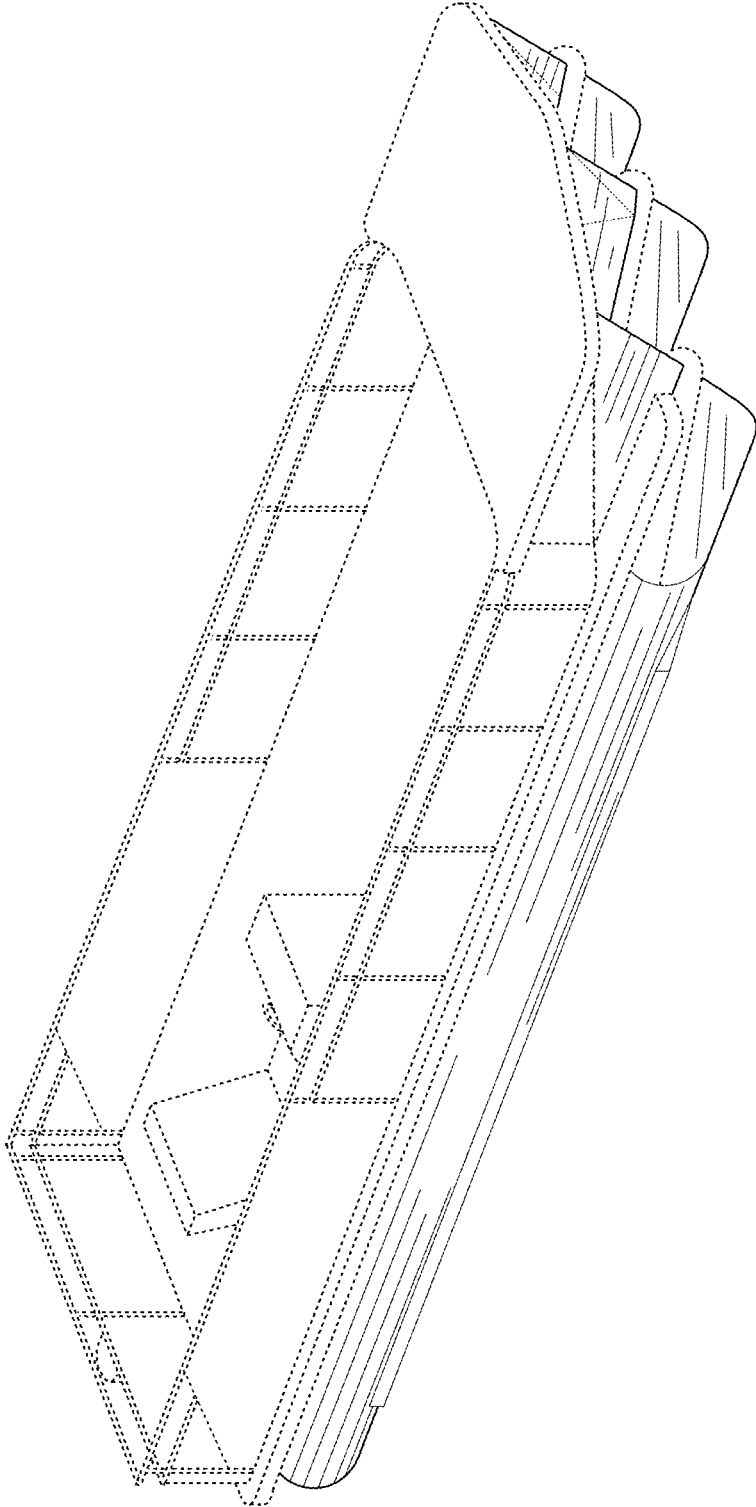


Fig. 1

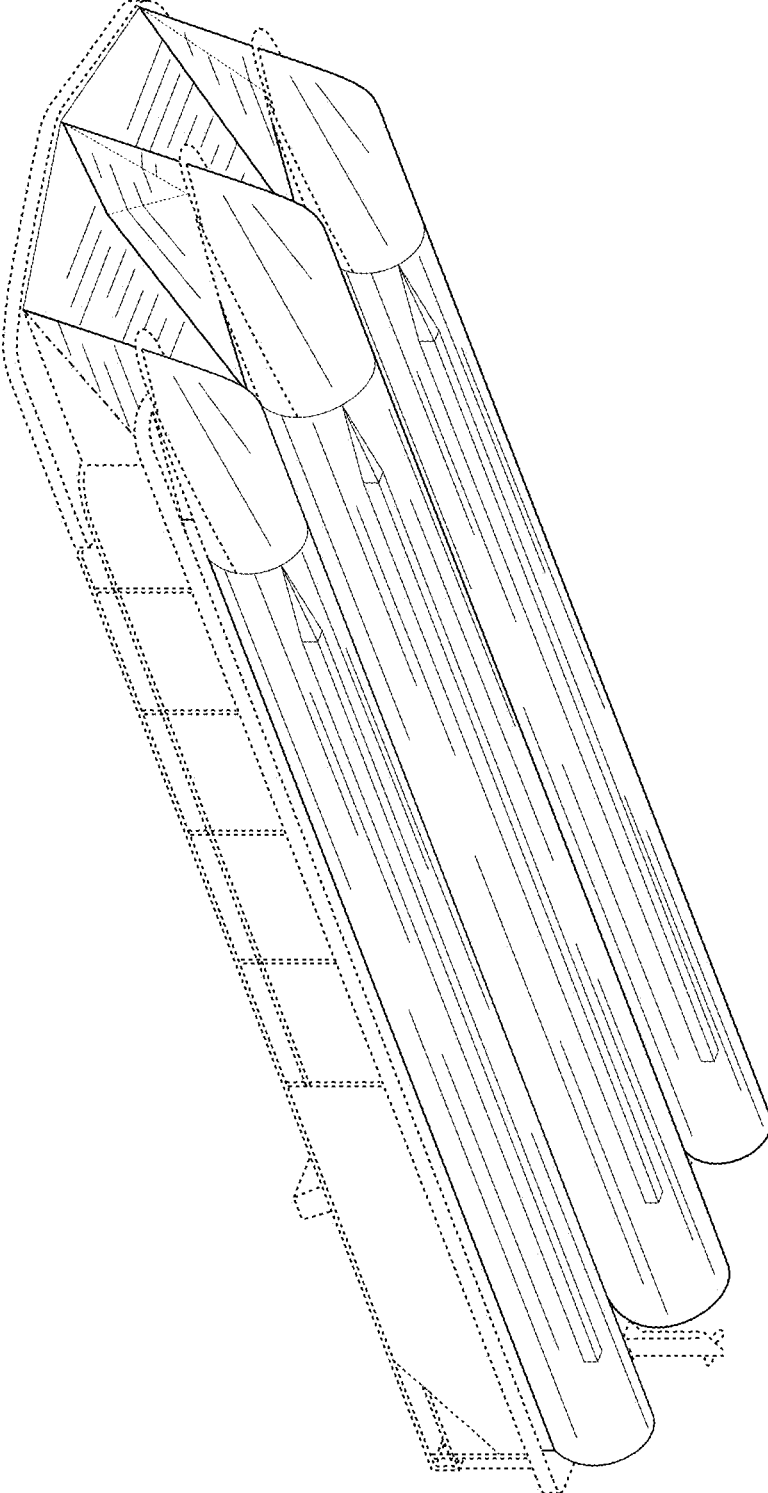


Fig. 2

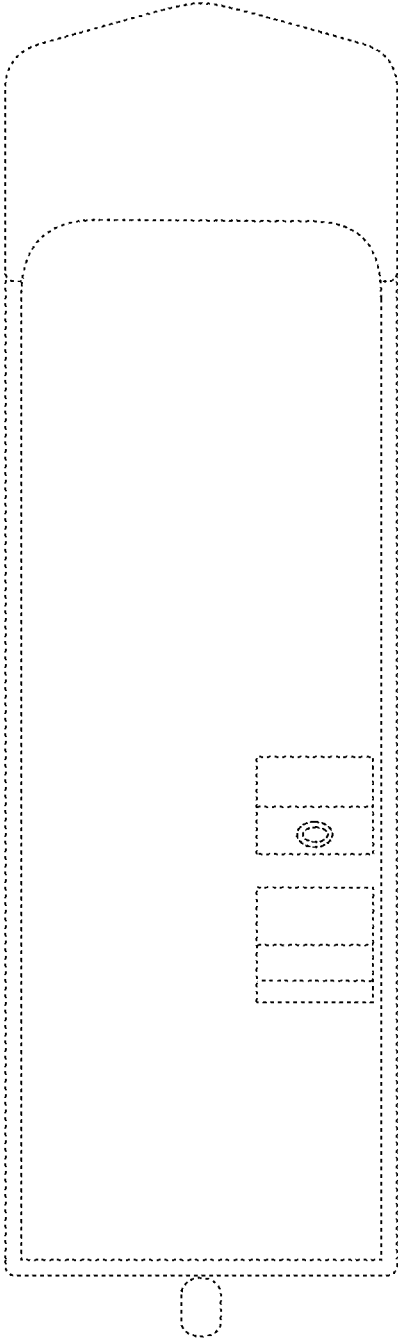


Fig. 3

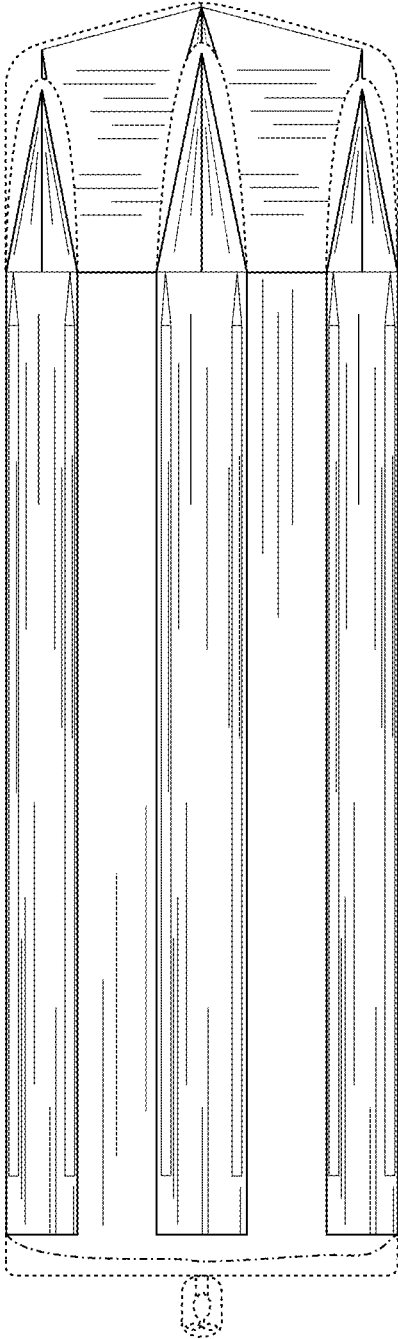


Fig. 4

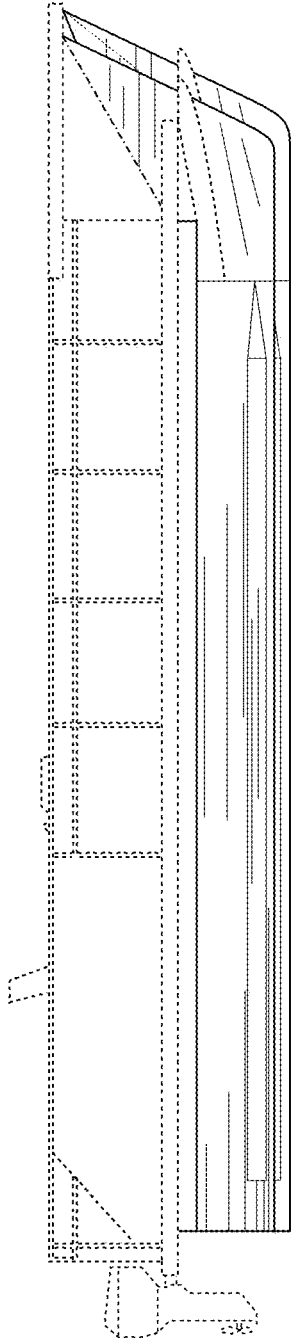


Fig. 5

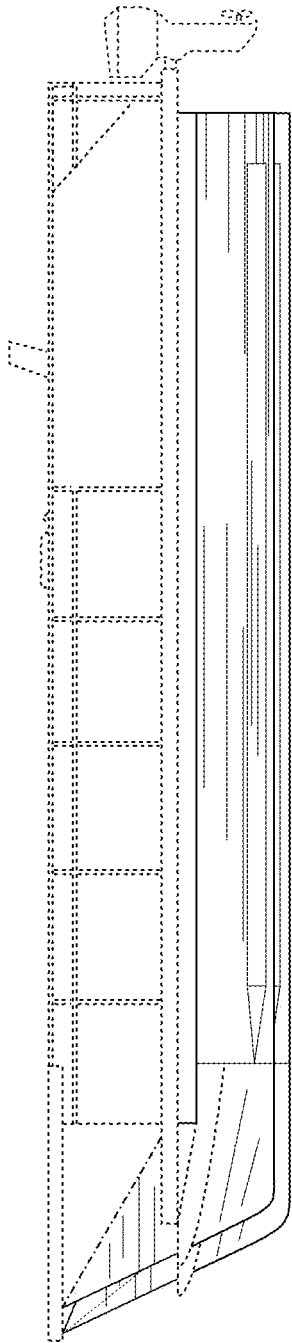


Fig. 6

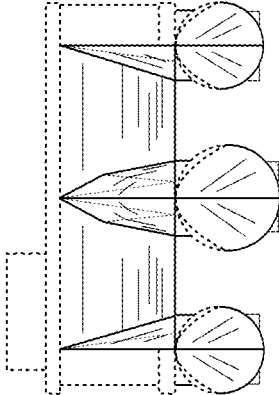


Fig. 7

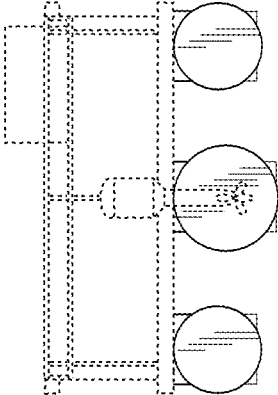


Fig. 8