



US0D1027280S

(12) **United States Design Patent**
Bradley

(10) **Patent No.:** **US D1,027,280 S**

(45) **Date of Patent:** **** *May 14, 2024**

(54) **LIGHT HOOP**

(71) Applicant: **Ted Bradley Studio, Inc.**, Boulder, CO (US)

(72) Inventor: **Ted Bradley**, Boulder, CO (US)

(73) Assignee: **Ted Bradley Studio, Inc.**, Boulder, CO (US)

(*) Notice: This patent is subject to a terminal disclaimer.

(**) Term: **15 Years**

(21) Appl. No.: **29/757,619**

(22) Filed: **Nov. 6, 2020**

(51) **LOC (14) Cl.** **26-04**

(52) **U.S. Cl.**

USPC **D26/113**; D26/72

(58) **Field of Classification Search**

USPC D26/72, 113, 118–122, 138–142, 145, D26/152, 154, 155, 24, 74, 85, 123–125, D26/128–135, 137; D11/1, 2, 3, 26
CPC F21S 8/00; F21K 9/20; F21K 9/237; F21V 15/013; F21V 17/04; F21V 21/00; F21V 21/02

See application file for complete search history.

(56) **References Cited**

U.S. PATENT DOCUMENTS

D51,480 S *	11/1917	Francis	D26/139
D51,481 S *	11/1917	Francis	D26/139
D51,482 S *	11/1917	Francis	D26/139
D488,086 S *	4/2004	Schubach	D11/26
D562,175 S *	2/2008	Miller	D11/35
D575,827 S *	8/2008	Tanaka	D20/10
D583,418 S *	12/2008	Tanaka	D20/10
D719,419 S *	12/2014	Masalin	D8/107
D789,232 S *	6/2017	Baker	D11/26
D850,704 S *	6/2019	Lyu	D26/113
D881,441 S *	4/2020	Van Den Akker	D26/137

D934,102 S *	10/2021	Barnes	D11/26
D946,449 S *	3/2022	McLear	D11/26
D947,707 S *	4/2022	McLear	D11/26

(Continued)

FOREIGN PATENT DOCUMENTS

CN	306834052	*	9/2021
CN	307247271	*	4/2022

OTHER PUBLICATIONS

“Sapphire” reference by Forever Facets on Walmart.com, undated, site visited Oct. 25, 2022, available from internet URL: <https://www.walmart.com/ip/Sapphire-Tungsten-8mm-Classic-Oval-with-Cobalt-Inner-Stripe-Comfort-Fit-Wedding-Bands-Rings-for-Men-Size-8/580490182?wmlspartner=wlp&selectedSellerId=0> (Year: 2022).*

(Continued)

Primary Examiner — Richard Kearney
Assistant Examiner — Liv C Anderson
(74) *Attorney, Agent, or Firm* — James R. Young;
Cochran Freund & Young LLC

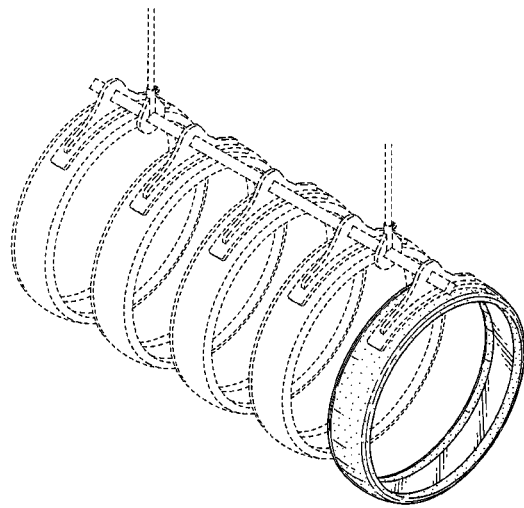
(57) **CLAIM**

The ornamental design for a light hoop, as shown and described.

DESCRIPTION

FIG. 1 is a front isometric view of a light hoop.
FIG. 2 is a front elevation view thereof.
FIG. 3 is a back elevation view thereof.
FIG. 4 is a right side elevation view thereof.
FIG. 5 is a left side elevation view thereof as viewed from the section plane 5-5 in FIG. 2.
FIG. 6 is a top plan view thereof; and,
FIG. 7 is a bottom plan view thereof.
The stippling indicates a change in material and the oblique line shading indicates translucent material. The broken lines are for environmental purposes only and form no part of the claimed design.

1 Claim, 7 Drawing Sheets



(56) **References Cited**

U.S. PATENT DOCUMENTS

2005/0034481	A1*	2/2005	Saltz	A44C 5/0023 63/3
2006/0075781	A1*	4/2006	Kretchmer	A44C 5/0092 63/5.1
2009/0293541	A1*	12/2009	Webb	A44C 9/0015 63/3
2016/0345692	A1*	12/2016	Baker	B29C 43/203
2018/0199681	A1*	7/2018	Baker	A44C 27/001
2018/0289117	A1*	10/2018	Guirguis	B29C 43/027
2018/0289118	A1*	10/2018	Guirguis	A44C 9/00
2018/0343989	A1*	12/2018	McLear	A44C 9/0015
2021/0090542	A1*	3/2021	Elmvang	F21V 17/002

OTHER PUBLICATIONS

“Samsara” reference by Ted Bradley on tedbradleystudio.com, undated, site visited Oct. 19, 2022, available from internet URL: <https://www.tedbradleystudio.com/> (Year: 2022).*

“Lord” reference by Marina Felix on businessofhome.com, published Feb. 9, 2021, site visited Oct. 19, 2022, available from internet URL: <https://businessofhome.com/articles/lord-of-the-rings-why-this-google-alum-is-now-designing-bespoke-chandeliers> (Year: 2021).*

“Hoop” reference by tossB on lightology.com, undated, site visited Oct. 19, 2022, available from internet URL: https://www.lightology.com/index.php?module=prod_detail&prod_id=571479&utm_content=T78A6DWL&gclid=CjwKCAjwwL6aBhBIEiwADycBIJNi40eqj96pHqbc73d24elJzNv2-IID0IU9ysJheVKIGNRNUiKB0RoCkXQQAvD_BwE (Year: 2022).*

“LED” reference by liylan lighting on amazon.com, date first available Mar. 19, 2020 [online], site visited Oct. 19, 2022, available from internet URL: <https://www.amazon.com/Liylan-Chandeliers-Lighting-Dimmable-Fixtures/dp/B087B9N1XF> (Year: 2020).*

“Chying” reference by Every Flowery Lighting, date first available Dec. 30, 2017 [online], site visited Oct. 19, 2022, available from internet URL: <https://www.amazon.com/CHYING-Pendant-Chandeliers-Adjustable-Restaurant/dp/B078Q7WJW1> (Year: 2017).*

“Kuzco” reference by Lighting World Online on Amazon.com, date first available Sep. 4, 2019 [online], site visited Apr. 26, 2023, available from internet URL: https://www.amazon.com/Kuzco-Lighting-PD82724-WH-Kuzco_PD82724-WH/dp/B07XF989T2?th=1 (Year: 2019).*

<https://www.litfad.com/12> Dia Black Hoop Reading Lamp Modern LED 1 Light Acrylic Plus in Desk Light in White Light; retrieved Jan. 5, 2021 at 10 p.m., published as early as 2018 (as shown by Wayback Machine.).

<http://www.lightingnewyork.com/Hudson-Valley-4106-PN-Saturn-LED-45-inch-Polished-Nickel-Chandelier-Ceiling-Light>; retrieved Feb. 16, 2021 at 1:41 p.m., published as early as 2005 (as shown by Wayback Machine.).

<http://lightingnewyork.com/Hudson-Valley-4102-PN-Saturn-LED-8-inch-Polished-Nickel-ADA-Wall-Sconce-Wall-Light>; retrieved Feb. 16, 2021 at 1:41 p.m., published as early as 2005 (as shown by Wayback Machine.).

<http://shopbbclighting.com>; retrieved Feb. 16, 2021 at 1:55 p.m., published as early as 2011 (as shown by Wayback Machine.).

<http://kichler.com/Opus-2-Ring-LED-Pendant-Chrome>; retrieved Feb. 16, 2021 at 1:55 p.m., published as early as 1998 (as shown by Wayback Machine.).

<http://www.ylighting.com/Hyvo-LED-Multi-Tier-Chandelier>; retrieved Feb. 16, 2021 at 2:30 p.m., published as early as 2001 (as shown by Wayback Machine.).

<http://www.beeslighting.com/Destiny-36-in.-LED-Chandelier-4700-Lumens-3000K-Chrome-Finish>; retrieved Feb. 16, 2021 at 2:11 p.m., published as early as 2012 (as shown by Wayback Machine.).

<http://www.shopbbclighting.com/LED-Chandelier-in-Matte-Black-by-Quoizel-from-the-Nitro-Collection>; retrieved Feb. 16, 2021 at 2:13 p.m., published as early as 2011 (as shown by Wayback Machine.).

<http://wayfair.com/Orren-Ellis-Eoin-14.87-Table-Lamp>; retrieved Feb. 22, 2021 at 10:23 a.m., published as early as 2000 (as shown by Wayback Machine.).

<http://wayfair.com/Aspasia-17-Table-Lamp>; retrieved Mar. 1, 2021 at 10:53 a.m., published as early as 2000 (as shown by Wayback Machine.).

<http://wayfair.com/Carte-18-Table-Lamp>; retrieved Mar. 1, 2021 at 10:53 a.m., published as early as 2000 (as shown by Wayback Machine.).

<http://wayfair.com/Inez-20-Desk-Lamp>; retrieved Mar. 1, 2021 at 10:53 a.m., published as early as 2000 (as shown by Wayback Machine.).

<http://wayfair.com/Brookshire-22.75-Arched-Table-Lamp>; retrieved Mar. 1, 2021 at 10:53 a.m., published as early as 2000 (as shown by Wayback Machine.).

<http://wayfair.com/Taquan-31-Novelty-Table-Lamp>; retrieved Mar. 1, 2021 at 10:53 a.m., published as early as 2000 (as shown by Wayback Machine.).

<http://wayfair.com/14-Table-Lamp>; retrieved Mar. 1, 2021 at 10:53 a.m., published as early as 2000 (as shown by Wayback Machine.).

<http://wayfair.com/Elise-18-Table-Lamp>; retrieved Mar. 1, 2021 at 10:53 a.m., published as early as 2000 (as shown by Wayback Machine.).

<http://wayfair.com/Treanor-16-Chrome-Table-Lamp>; retrieved Mar. 1, 2021 at 10:53 a.m., published as early as 2000 (as shown by Wayback Machine.).

<http://wayfair.com/Arruda-Element-13-Arched-Table-Lamp>; retrieved Mar. 1, 2021 at 10:53 a.m., published as early as 2000 (as shown by Wayback Machine.).

<http://wayfair.com/Hofstade-25.25-Light-Gray-Table-Lamp>; retrieved Mar. 1, 2021 at 10:53 a.m., published as early as 2000 (as shown by Wayback Machine.).

<http://wayfair.com/Obaseki-30-Silver-Table-Lamp>; retrieved Mar. 1, 2021 at 10:53 a.m., published as early as 2000 (as shown by Wayback Machine.).

Wayfair.com SKU: W003109872—Campanella 13" Table Lamp by Brayden Studio, Mar. 2021.

* cited by examiner

FIG. 1

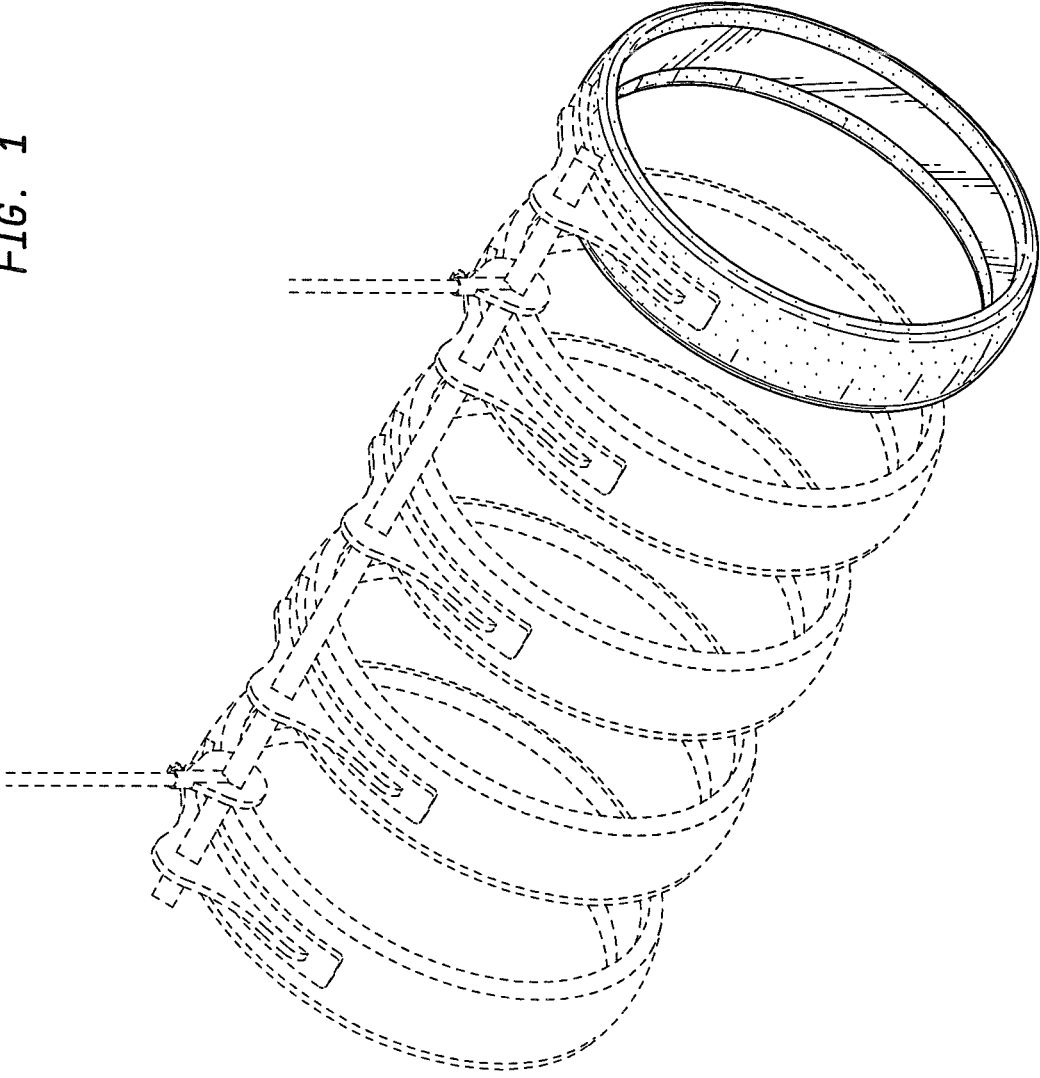


FIG. 2

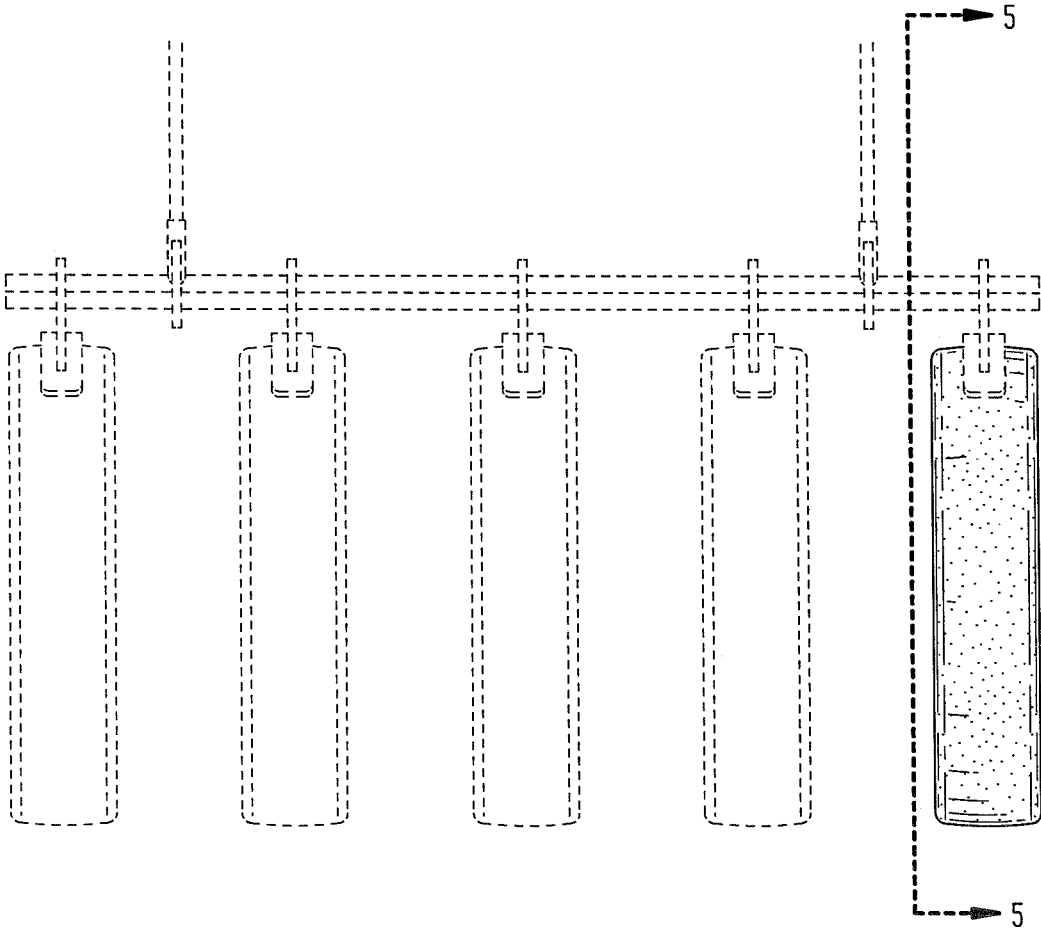


FIG. 3

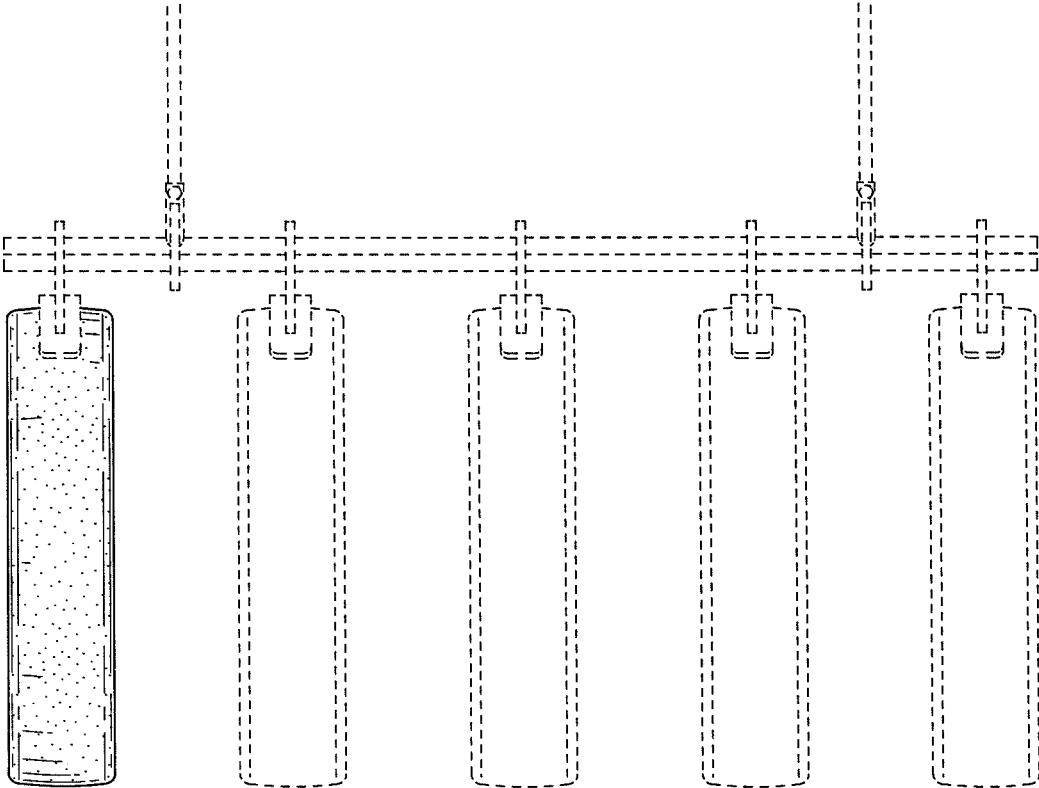


FIG. 4

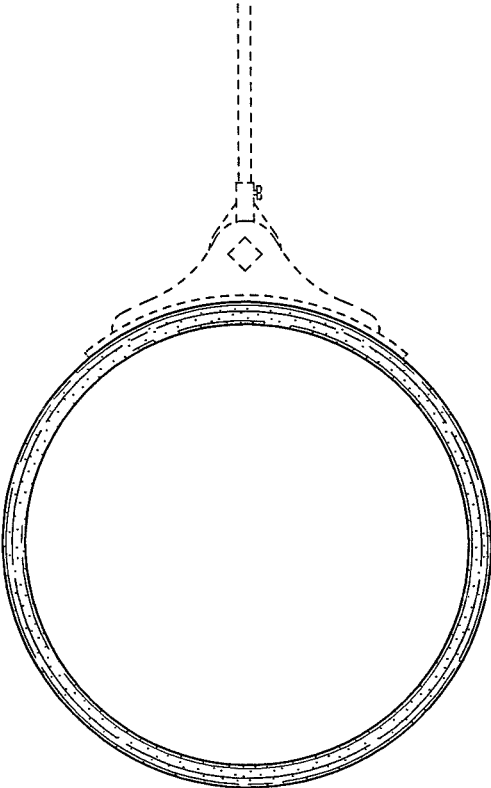


FIG. 5

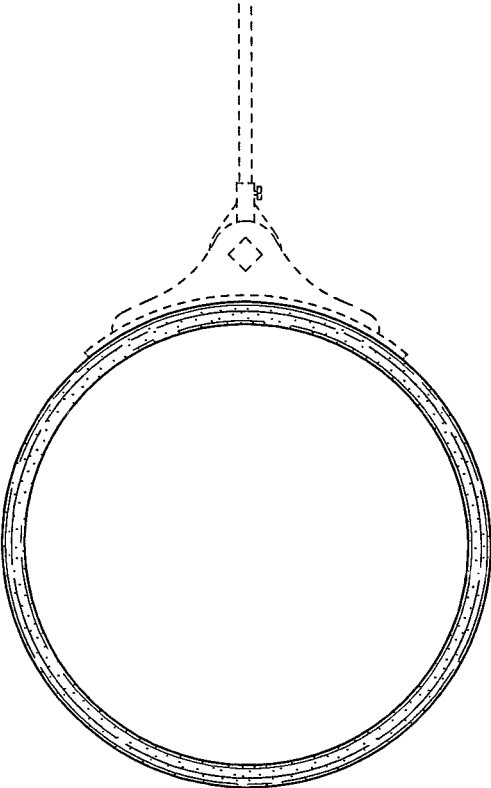


FIG. 6

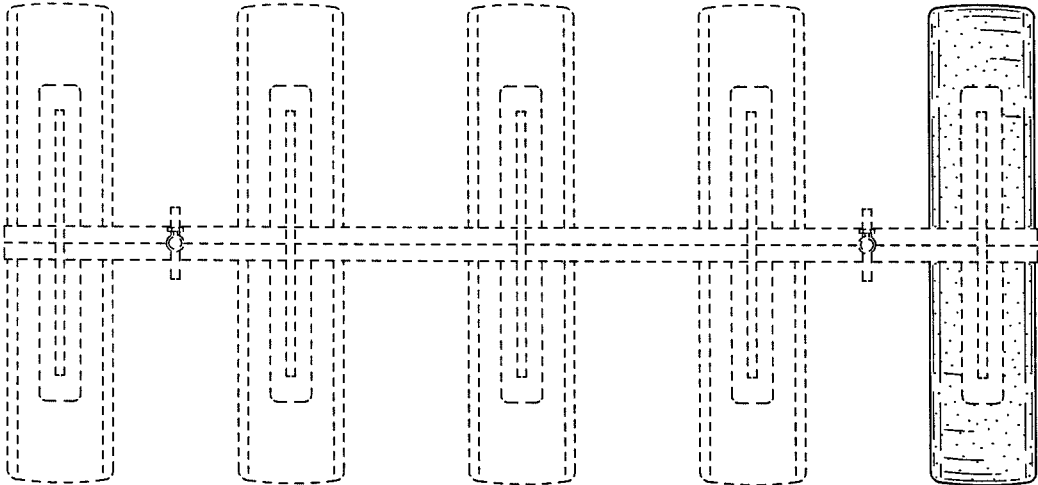


FIG. 7

