



US00D795821S

(12) **United States Design Patent**
Mira et al.

(10) **Patent No.:** **US D795,821 S**

(45) **Date of Patent:** **** Aug. 29, 2017**

- (54) **LIQUID COOLING COLD PLATE WITH DIAMOND CUT PIN FINS**
- (71) Applicant: **HEATSCAPE.COM, INC.**, Morgan Hill, CA (US)
- (72) Inventors: **Ali Mira**, Morgan Hill, CA (US);
Yashar Mira, Morgan Hill, CA (US);
Michael Mira, Morgan Hill, CA (US)
- (73) Assignee: **HEATSCAPE.COM, INC.**, Morgan Hill, CA (US)
- (**) Term: **15 Years**

D755,741 S *	5/2016	Prajuckamol	D13/182
D772,823 S *	11/2016	Lindeman	D13/179
D773,408 S *	12/2016	Lindeman	D13/179
D774,473 S *	12/2016	Lindeman	D13/179
2006/0291165 A1 *	12/2006	Flesch	H01L 23/473 361/699
2008/0007915 A1 *	1/2008	Chen	H01L 23/4006 361/701
2009/0044929 A1 *	2/2009	Yeh	F28D 1/05391 165/104.19
2009/0268409 A1 *	10/2009	Zhou	H01L 23/34 361/710
2011/0304979 A1 *	12/2011	Peterson	G06F 1/20 361/679.47
2012/0261095 A1 *	10/2012	Wu	F28F 21/06 165/104.26

(Continued)

- (21) Appl. No.: **29/555,493**
- (22) Filed: **Feb. 22, 2016**
- (51) **LOC (10) Cl.** **13-03**
- (52) **U.S. Cl.**
- USPC **D13/179**
- (58) **Field of Classification Search**
- USPC D13/179, 122, 182
- CPC .. H05K 7/20; H05K 7/20172; H05K 7/20127;
H05K 7/20336; H05K 7/20154; H05K
7/20272; H01L 23/34; H01L 23/3672;
H01L 23/40; H01L 23/4006; H01L
23/4093; H01L 23/427; H01L 23/46;
F28D 15/0275; F28D 1/0426; F28D
15/0208; F28D 15/04; F28F 1/30; F28F
2215/00; G06F 1/20
- See application file for complete search history.

Primary Examiner — Jennifer Rivard
Assistant Examiner — April Rivas
 (74) *Attorney, Agent, or Firm* — Kilpatrick Townsend & Stockton LLP

(57) **CLAIM**

The ornamental design for a liquid cooling cold plate with diamond cut pin fins, as shown and described.

DESCRIPTION

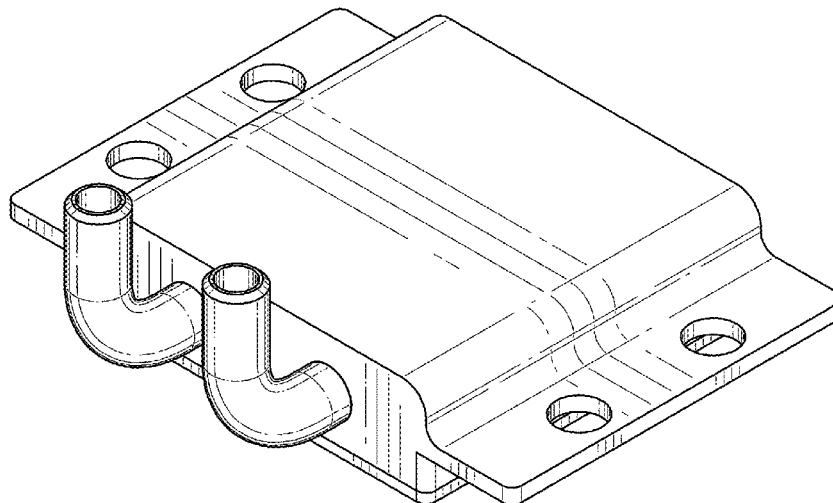
FIG. 1 is a top perspective view of a liquid cooling cold plate with diamond cut pin fins showing our new design;
 FIG. 2 is a top perspective disassembled view corresponding to FIG. 1;
 FIG. 3 is a bottom perspective disassembled view corresponding to FIG. 1;
 FIG. 4 is a left side elevational view thereof;
 FIG. 5 is a right side elevational view thereof;
 FIG. 6 is a rear elevational view thereof;
 FIG. 7 is a front elevational view thereof;
 FIG. 8 is a top plan view thereof; and,
 FIG. 9 is a bottom plan view thereof.

1 Claim, 9 Drawing Sheets

(56) **References Cited**

U.S. PATENT DOCUMENTS

D553,170 S *	10/2007	Remsburg	D15/199
D561,711 S *	2/2008	Lin	D13/179
D573,110 S *	7/2008	Otsuki	D13/179
D715,747 S *	10/2014	Imoto	D13/179
D715,750 S *	10/2014	Mira	D13/179



(56)

References Cited

U.S. PATENT DOCUMENTS

2014/0069614	A1*	3/2014	Chiu	F28D 15/00 165/104.13
2016/0118317	A1*	4/2016	Shedd	F25B 23/006 257/712
2016/0234968	A1*	8/2016	Huang	H01L 23/427
2016/0327996	A1*	11/2016	Sasabe	H05K 7/20
2016/0363967	A1*	12/2016	Tsai	H05K 7/20254
2016/0366788	A1*	12/2016	Liao	B67D 7/36

* cited by examiner

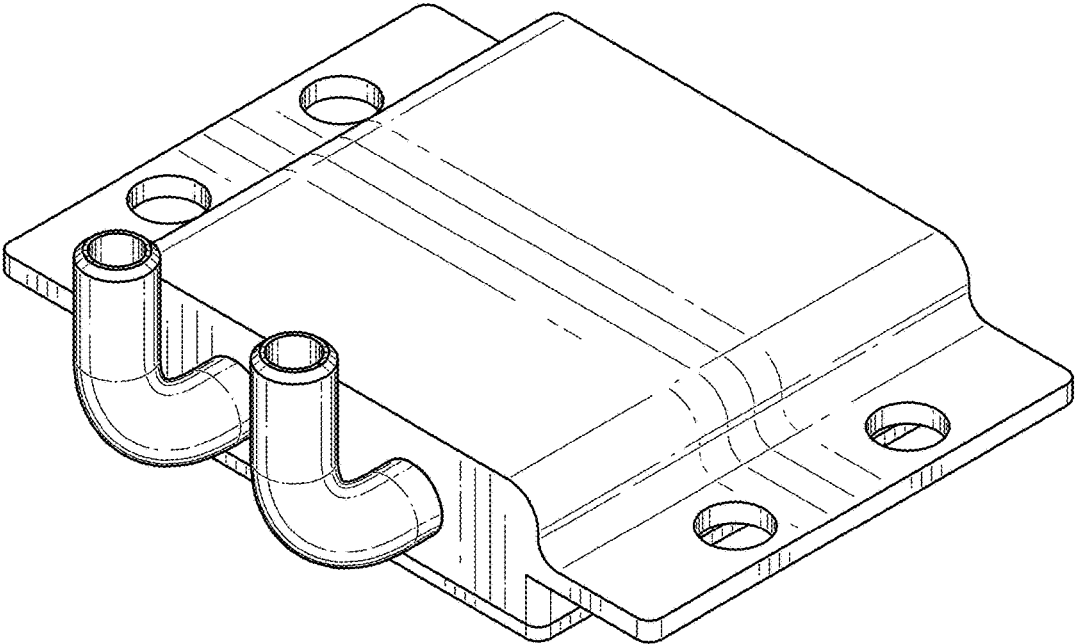


FIG. 1

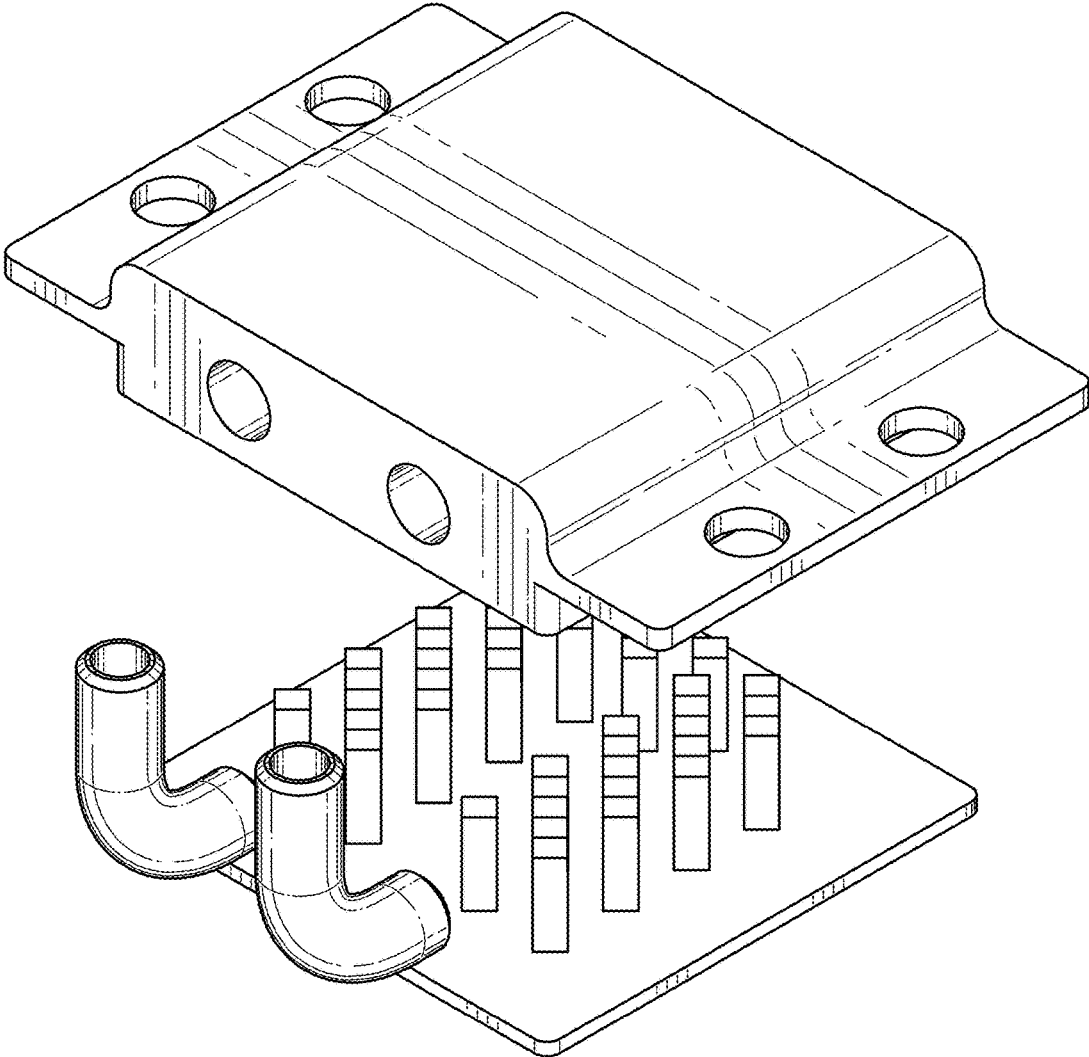


FIG. 2

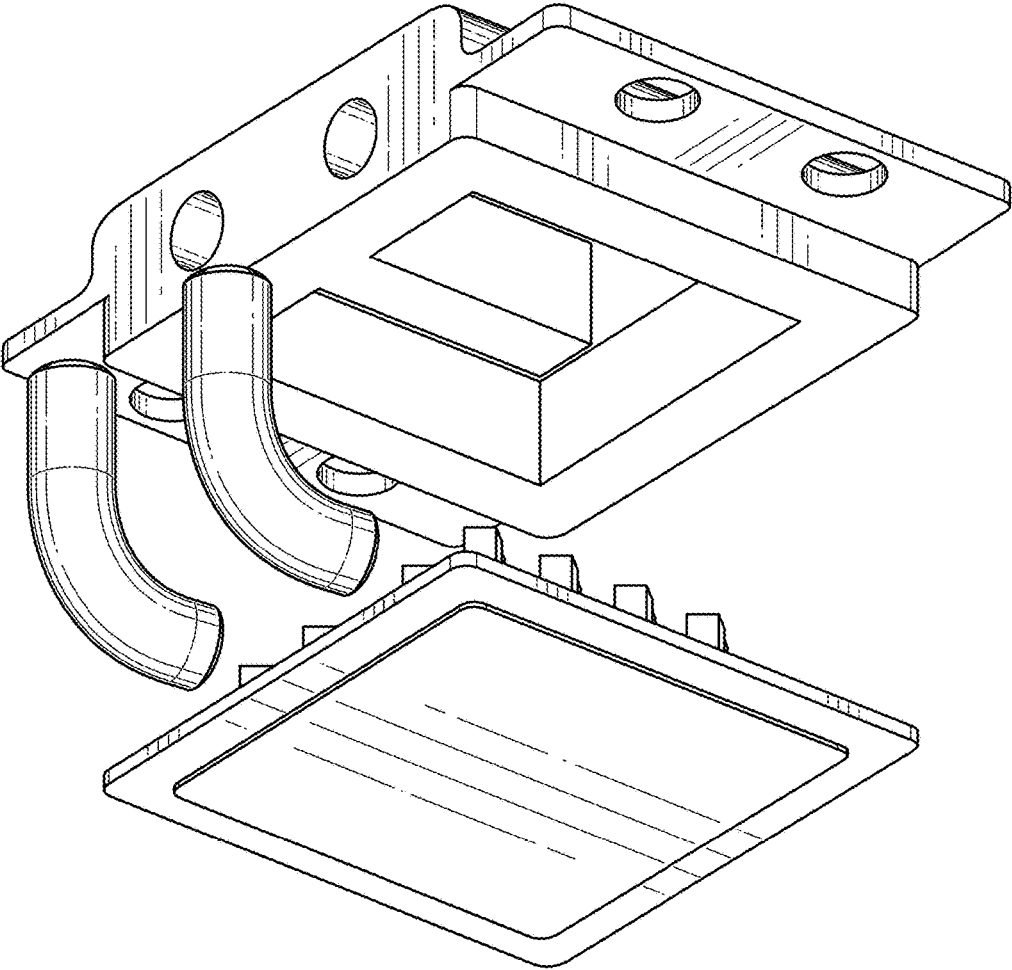


FIG. 3

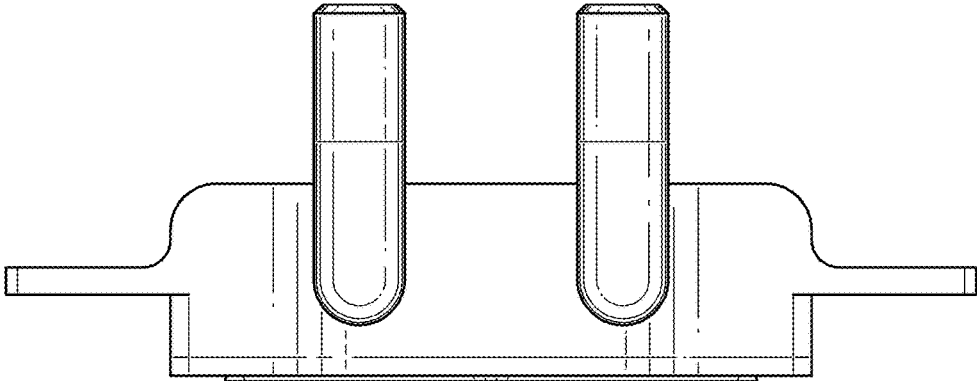


FIG. 4

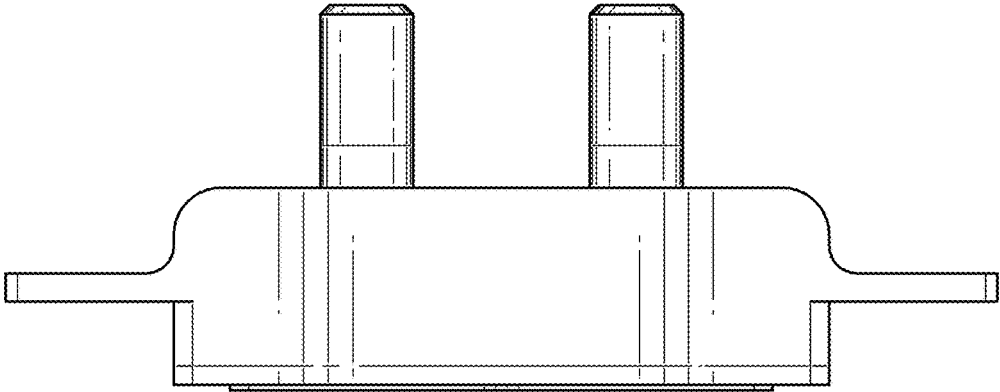


FIG. 5

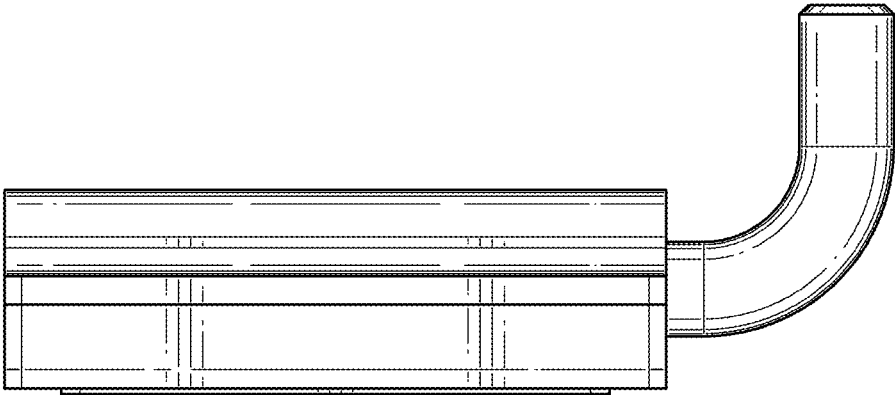


FIG. 6

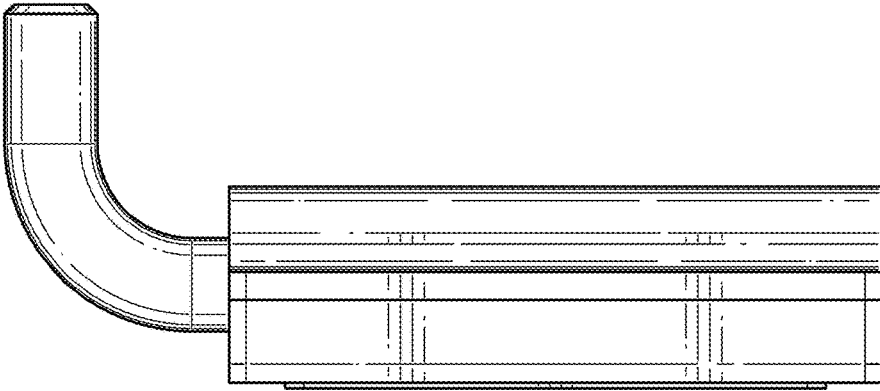


FIG. 7

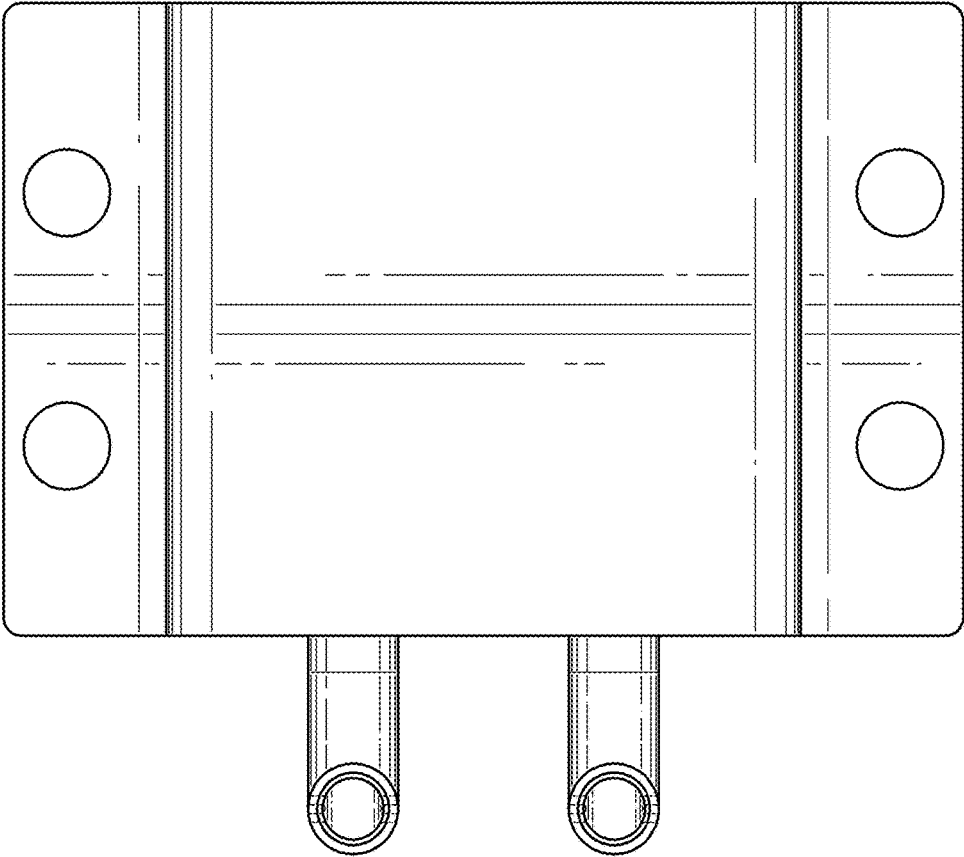


FIG. 8

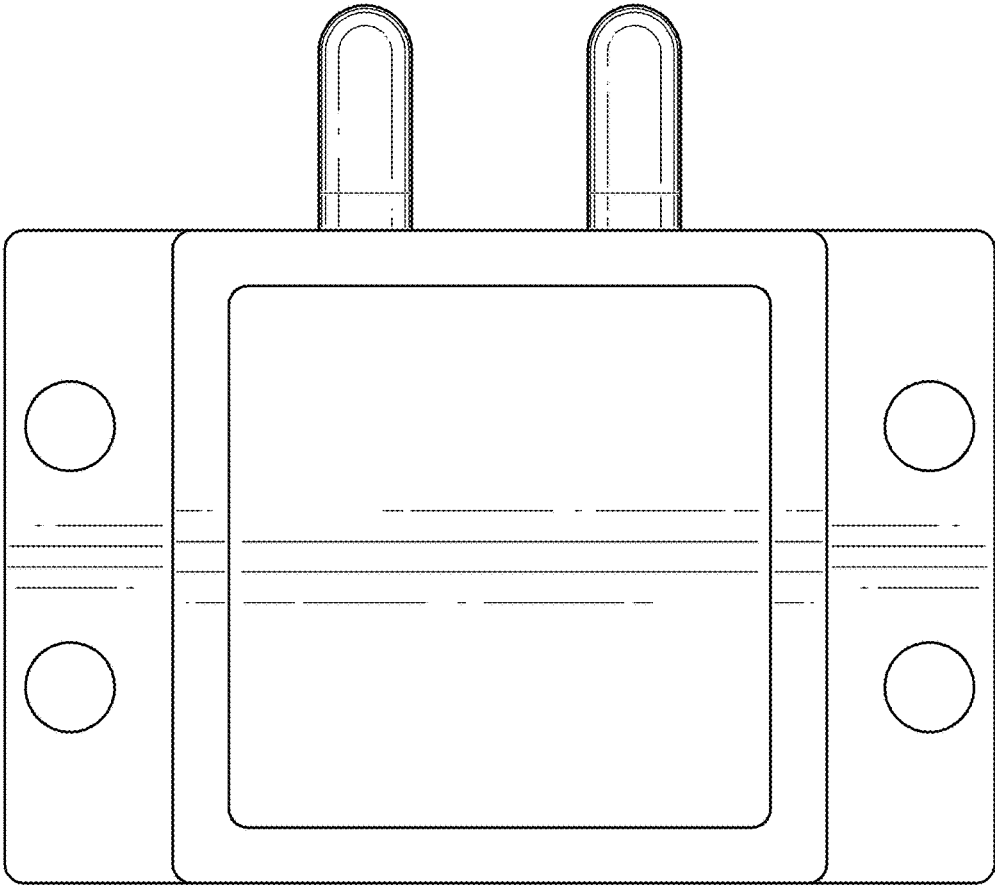


FIG. 9