



US00D814267S

(12) **United States Design Patent**
Verbowski

(10) **Patent No.:** **US D814,267 S**

(45) **Date of Patent:** **** Apr. 3, 2018**

- (54) **COIL MOUNT COMPENSATING SPACER**
- (71) Applicant: **Larry Verbowski**, Bay City, MI (US)
- (72) Inventor: **Larry Verbowski**, Bay City, MI (US)
- (**) Term: **15 Years**
- (21) Appl. No.: **29/570,472**
- (22) Filed: **Jul. 8, 2016**
- (51) **LOC (11) Cl.** **08-05**
- (52) **U.S. Cl.**
USPC **D8/354**
- (58) **Field of Classification Search**
USPC D8/48, 71, 315-322, 354-355, 378-381,
D8/400-499; D12/420, 223;
D25/119-125, 199
CPC A61B 1/00; A61B 17/00; A61B 2217/00;
A61B 2218/00; H02G 1/00; H02G
2200/00; A47F 1/00
See application file for complete search history.

6,209,147 B1 *	4/2001	Wheaton	E04H 4/14 248/534
D481,926 S *	11/2003	Engelmayer	D8/354
6,931,745 B2 *	8/2005	Granger	G01B 5/008 33/1 PT
D542,628 S *	5/2007	Brassard	D8/354
7,296,979 B2 *	11/2007	Raab	B25B 11/005 248/205.8
D559,657 S *	1/2008	Wohlford	D8/354
D636,118 S *	4/2011	Kim	D26/138
D676,309 S *	2/2013	Bailey	D8/354
D734,129 S *	7/2015	Allen	D8/354
D747,245 S *	1/2016	Nosworthy	D12/180
D751,238 S *	3/2016	Siuwatti	D26/113
D791,394 S *	7/2017	Rashidi Doust	D26/113
D791,395 S *	7/2017	Rashidi Doust	D26/113
2016/0238226 A1 *	8/2016	Rashidi Doust	F21V 25/125

* cited by examiner

Primary Examiner — Lakiya G Rogers
Assistant Examiner — Harold E Blackwell, II

(57) **CLAIM**

The ornamental design for a coil mount compensating spacer, as shown and described.

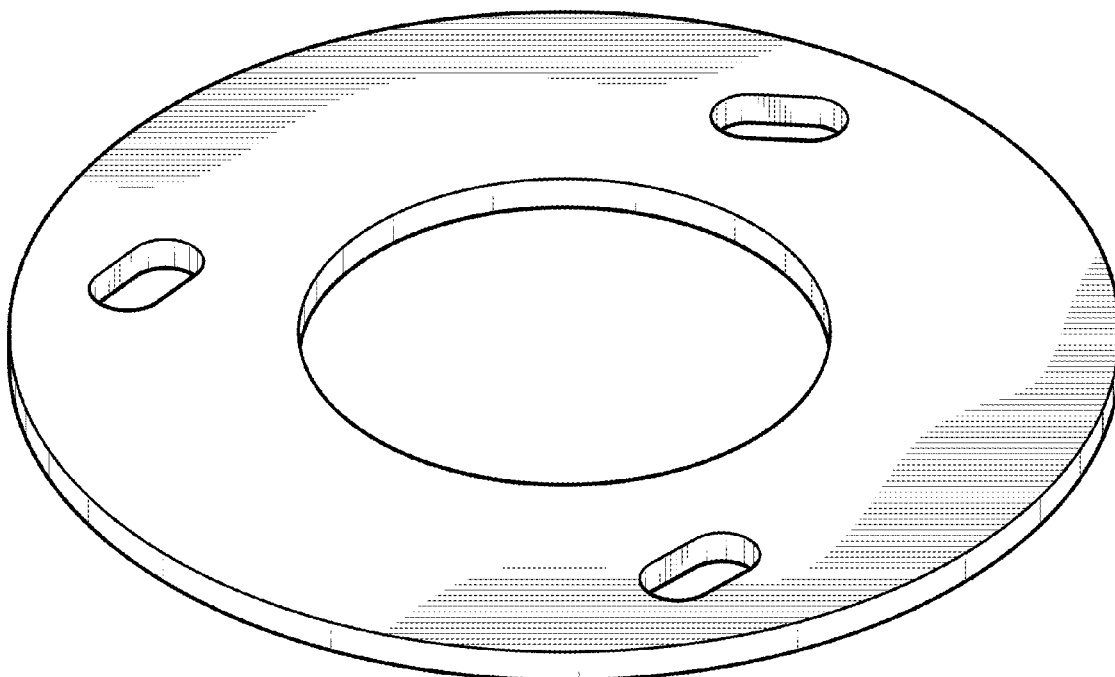
DESCRIPTION

FIG. 1 is a full top view of the coil mount compensating spacer;
FIG. 2 is a full bottom view of the coil mount compensating spacer; and,
FIG. 3 is an edge view of the coil mount compensating spacer.

1 Claim, 2 Drawing Sheets

(56) **References Cited**
U.S. PATENT DOCUMENTS

3,136,206 A *	6/1964	Adams	F16B 39/24 411/546
4,174,532 A *	11/1979	Kelley	A45B 3/04 362/102
D263,927 S *	4/1982	Dewey	411/531
D272,392 S *	1/1984	Bigelow	280/86.753
4,784,046 A *	11/1988	Gautier	B60T 13/5675 248/222.41
5,918,707 A *	7/1999	Saunders, III	B60B 3/145 188/18 A



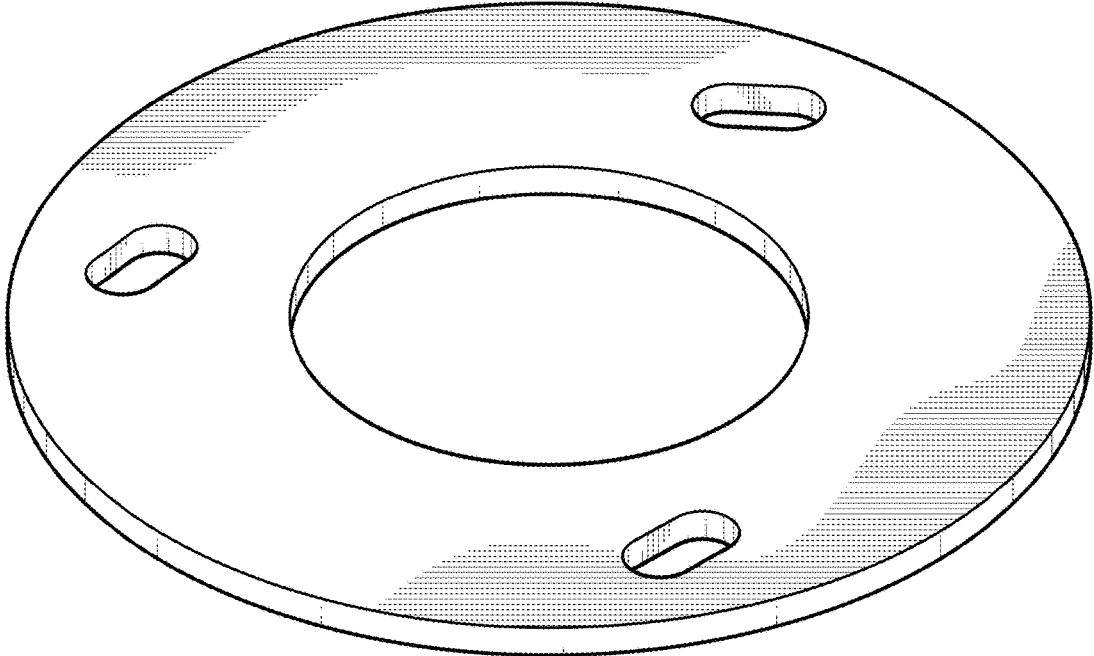


FIG. 1



FIG. 2



FIG. 3