

(19) World Intellectual Property Organization
International Bureau



(43) International Publication Date
10 March 2011 (10.03.2011)

(10) International Publication Number
WO 2011/028663 A3

(51) International Patent Classification:
F16K 31/163 (2006.01) F15B 15/22 (2006.01)
F15B 15/06 (2006.01)

(NL). VAN DORP, Erwin [NL/DE]; Gildehauser Strasse 25, Bad Bentheim (DE).

(21) International Application Number:
PCT/US2010/047151

(74) Agent: READ, David, C.; Marshall, Gerstein & Borun LLP, 233 S. Wacker Drive, 6300 Willis Tower, Chicago, IL 60606-6357 (US).

(22) International Filing Date:
30 August 2010 (30.08.2010)

(81) Designated States (unless otherwise indicated, for every kind of national protection available): AE, AG, AL, AM, AO, AT, AU, AZ, BA, BB, BG, BH, BR, BW, BY, BZ, CA, CH, CL, CN, CO, CR, CU, CZ, DE, DK, DM, DO, DZ, EC, EE, EG, ES, FI, GB, GD, GE, GH, GM, GT, HN, HR, HU, ID, IL, IN, IS, JP, KE, KG, KM, KN, KP, KR, KZ, LA, LC, LK, LR, LS, LT, LU, LY, MA, MD, ME, MG, MK, MN, MW, MX, MY, MZ, NA, NG, NI, NO, NZ, OM, PE, PG, PH, PL, PT, RO, RS, RU, SC, SD, SE, SG, SK, SL, SM, ST, SV, SY, TH, TJ, TM, TN, TR, TT, TZ, UA, UG, US, UZ, VC, VN, ZA, ZM, ZW.

(25) Filing Language: English

(26) Publication Language: English

(30) Priority Data:
12/552,814 2 September 2009 (02.09.2009) US

(71) Applicant (for all designated States except US): EMERSON PROCESS MANAGEMENT VALVE AUTOMATION, INC. [US/US]; 8100 West Florissant Ave., St. Louis, MO 63136 (US).

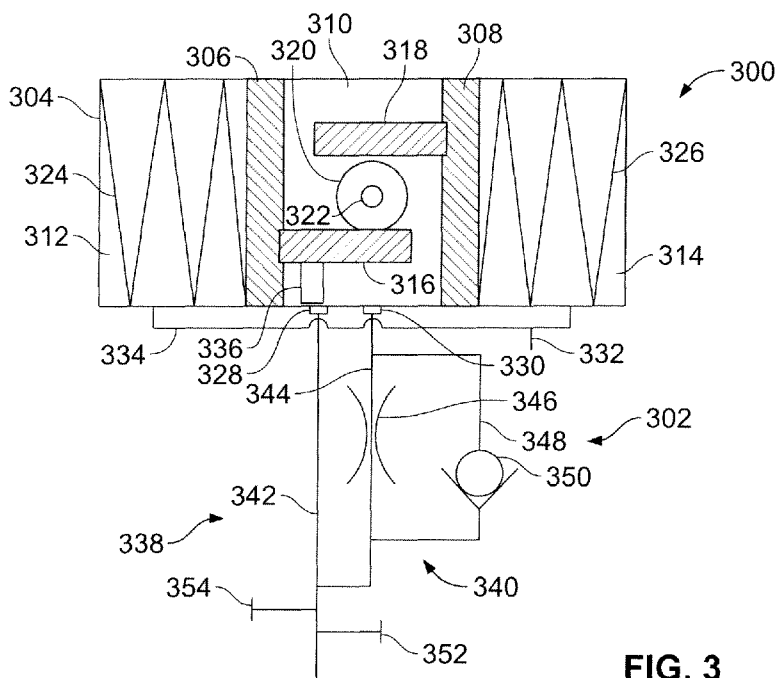
(72) Inventors; and

(75) Inventors/Applicants (for US only): TER HORST, Gerard [NL/NL]; Havekortweide 22, 7152 KJ Eibergen

(84) Designated States (unless otherwise indicated, for every kind of regional protection available): ARIPO (BW, GH, GM, KE, LR, LS, MW, MZ, NA, SD, SL, SZ, TZ, UG, ZM, ZW), Eurasian (AM, AZ, BY, KG, KZ, MD, RU, TJ, TM), European (AL, AT, BE, BG, CH, CY, CZ, DE, DK,

[Continued on next page]

(54) Title: ROTARY VALVE ACTUATORS HAVING PARTIAL STROKE DAMPING APPARATUS



(57) Abstract: Rotary valve actuators having partial stroke damping apparatus are described herein. An example rotary valve actuator described herein includes a housing containing a first piston and a second piston opposite the first piston, where the pistons move in opposite directions to rotate a shaft of the rotary valve actuator. A damper is operatively coupled to at least one of the first piston or the second piston to slow the movement of the piston for only a portion of a stroke of the rotary valve actuator.

FIG. 3

WO 2011/028663 A3



EE, ES, FI, FR, GB, GR, HR, HU, IE, IS, IT, LT, LU,
LV, MC, MK, MT, NL, NO, PL, PT, RO, SE, SI, SK,
SM, TR), OAPI (BF, BJ, CF, CG, CI, CM, GA, GN, GQ,
GW, ML, MR, NE, SN, TD, TG).

— *before the expiration of the time limit for amending the
claims and to be republished in the event of receipt of
amendments (Rule 48.2(h))*

Published:

— *with international search report (Art. 21(3))*

(88) Date of publication of the international search report:

12 May 2011

INTERNATIONAL SEARCH REPORT

International application No
PCT/US2010/047151

A. CLASSIFICATION OF SUBJECT MATTER
INV. F16K31/163 F15B15/06 F15B15/22
ADD.

According to International Patent Classification (IPC) or to both national classification and IPC

B. FIELDS SEARCHED

Minimum documentation searched (classification system followed by classification symbols)
F16K F15B

Documentation searched other than minimum documentation to the extent that such documents are included in the fields searched

Electronic data base consulted during the international search (name of data base and, where practical, search terms used)

EPO-Internal, PAJ

C. DOCUMENTS CONSIDERED TO BE RELEVANT

| Category* | Citation of document, with indication, where appropriate, of the relevant passages | Relevant to claim No. |
|-----------|--|-----------------------|
| X | US 3 148 595 A (LOONEY JOHN T) 15 September 1964 (1964-09-15) | 1,2 |
| Y | column 1, line 26 - line 42; figures 1, 6 column 2, line 3 - column 3, line 63 column 4, line 36 - column 5, line 24 | 3-21 |
| X | JP 1 295008 A (MITSUBISHI ELECTRIC CORP) 28 November 1989 (1989-11-28) * abstract; figure 1 | 1 |
| X | JP 1 303304 A (TAIYO TEKKO KK) 7 December 1989 (1989-12-07) * abstract | 1 |
| X | US 4 564 169 A (NORDLUND SVEN [SE]) 14 January 1986 (1986-01-14) the whole document | 1,2 |
| | ----- -/-- | |

Further documents are listed in the continuation of Box C.

See patent family annex.

* Special categories of cited documents :

| | |
|--|--|
| <p>"A" document defining the general state of the art which is not considered to be of particular relevance</p> <p>"E" earlier document but published on or after the international filing date</p> <p>"L" document which may throw doubts on priority claim(s) or which is cited to establish the publication date of another citation or other special reason (as specified)</p> <p>"O" document referring to an oral disclosure, use, exhibition or other means</p> <p>"P" document published prior to the international filing date but later than the priority date claimed</p> | <p>"T" later document published after the international filing date or priority date and not in conflict with the application but cited to understand the principle or theory underlying the invention</p> <p>"X" document of particular relevance; the claimed invention cannot be considered novel or cannot be considered to involve an inventive step when the document is taken alone</p> <p>"Y" document of particular relevance; the claimed invention cannot be considered to involve an inventive step when the document is combined with one or more other such documents, such combination being obvious to a person skilled in the art.</p> <p>"&" document member of the same patent family</p> |
|--|--|

| | |
|--|--|
| Date of the actual completion of the international search 14 March 2011 | Date of mailing of the international search report 24/03/2011 |
|--|--|

| | |
|--|--|
| Name and mailing address of the ISA/ European Patent Office, P.B. 5818 Patentlaan 2 NL - 2280 HV Rijswijk Tel. (+31-70) 340-2040, Fax: (+31-70) 340-3016 | Authorized officer Díaz Antuña, Elena |
|--|--|

INTERNATIONAL SEARCH REPORT

International application No
PCT/US2010/047151

| C(Continuation). DOCUMENTS CONSIDERED TO BE RELEVANT | | |
|--|---|-----------------------|
| Category* | Citation of document, with indication, where appropriate, of the relevant passages | Relevant to claim No. |
| X | US 6 003 432 A (LAULHE RENE [FR]) 21 December 1999 (1999-12-21) | 1,2, 22-26 |
| Y | page 3, line 4 - line 21; figures 1, 3a, 3b | 3-21, 27-36 |
| | ----- | |
| X | US 7 377 479 B1 (CHEN SHUI-CHING [TW]) 27 May 2008 (2008-05-27) | 37,38 |
| | column 3, line 65 - column 4, line 3; figures 1,3,6,7 column 5, line 47 - line 51 | |
| | ----- | |
| X | DE 103 57 911 A1 (FESTO AG & CO [DE]) 7 July 2005 (2005-07-07) | 37,38 |
| | figures 1,3-6 paragraph [0034] - paragraph [0042] | |
| | ----- | |
| X | JP H01 106606 U (-) 18 July 1989 (1989-07-18) | 37,38 |
| | figures 2,5,6 | |
| | ----- | |
| Y | GB 1 372 392 A (INT HARVESTER CO) 30 October 1974 (1974-10-30) | 3-9, 14-21 |
| | the whole document | |
| | ----- | |
| Y | US 3 213 760 A (PAUL CARR) 26 October 1965 (1965-10-26) | 31,33 |
| A | the whole document | 25,26 |
| | ----- | |
| Y | US 2002/174766 A1 (NORTON KENNETH E [US] ET AL) 28 November 2002 (2002-11-28) | 31-36 |
| A | figures 3, 6 | 27 |
| | ----- | |
| Y | DE 195 32 457 A1 (PTM PRODUKTION TECH MECHANISCH [DE]) 6 March 1997 (1997-03-06) | 27-30 |
| | the whole document | |
| | ----- | |
| Y | US 2001/018864 A1 (HIRANO AKIHIRO [JP] ET AL HIRANO AKIHIRO [JP] ET AL) | 10-13 |
| | 6 September 2001 (2001-09-06) the whole document | |
| | ----- | |
| A | US 4 034 958 A (MASCLET JEAN) 12 July 1977 (1977-07-12) | 32,36,37 |
| | column 3, line 28 - line 30; figure 1 | |
| | ----- | |

INTERNATIONAL SEARCH REPORT

Information on patent family members

International application No

PCT/US2010/047151

| Patent document cited in search report | Publication date | Patent family member(s) | Publication date |
|--|------------------|-------------------------|---|
| US 3148595 | A | 15-09-1964 | NONE |
| JP 1295008 | A | 28-11-1989 | NONE |
| JP 1303304 | A | 07-12-1989 | NONE |
| US 4564169 | A | 14-01-1986 | DE 3464405 D1 30-07-1987 EP 0164347 A1 18-12-1985 FI 850883 A 05-03-1985 JP 60500510 T 11-04-1985 NO 843882 A 27-09-1984 SE 435311 B 17-09-1984 SE 8300756 A 12-08-1984 WO 8403128 A1 16-08-1984 |
| US 6003432 | A | 21-12-1999 | DE 69627663 D1 28-05-2003 DE 69627663 T2 25-03-2004 EP 0839289 A1 06-05-1998 ES 2192229 T3 01-10-2003 FR 2736972 A1 24-01-1997 WO 9704237 A1 06-02-1997 JP 11509300 T 17-08-1999 |
| US 7377479 | B1 | 27-05-2008 | NONE |
| DE 10357911 | A1 | 07-07-2005 | NONE |
| JP H01106606 | U | 18-07-1989 | JP 7003046 Y2 30-01-1995 |
| GB 1372392 | A | 30-10-1974 | AU 3438071 A 21-06-1973 CA 936441 A1 06-11-1973 DE 2150828 A1 20-04-1972 |
| US 3213760 | A | 26-10-1965 | NONE |
| US 2002174766 | A1 | 28-11-2002 | CA 2387281 A1 24-11-2002 DE 60214076 T2 04-01-2007 EP 1260479 A2 27-11-2002 |
| DE 19532457 | A1 | 06-03-1997 | NONE |
| US 2001018864 | A1 | 06-09-2001 | CN 1311398 A 05-09-2001 CN 1311399 A 05-09-2001 DE 10109144 A1 20-09-2001 DE 10109432 A1 27-09-2001 JP 3469525 B2 25-11-2003 |
| US 2001018864 | A1 | | JP 2001248606 A 14-09-2001 KR 20010087319 A 15-09-2001 KR 20010087320 A 15-09-2001 TW 460659 B 21-10-2001 TW 468006 B 11-12-2001 US 2001020413 A1 13-09-2001 |
| US 4034958 | A | 12-07-1977 | DE 2518681 A1 18-12-1975 FR 2274853 A1 09-01-1976 GB 1463940 A 09-02-1977 JP 51110178 A 29-09-1976 |

INTERNATIONAL SEARCH REPORT

Information on patent family members

International application No

PCT/US2010/047151

| Patent document cited in search report | Publication date | Patent family member(s) | Publication date |
|---|---------------------|----------------------------|---------------------|
| ----- | | | |