



(12) **United States Design Patent**
Ubell

(10) **Patent No.:** **US D969,604 S**

(45) **Date of Patent:** **** Nov. 15, 2022**

(54) **INVIOULATE BOX**

(71) Applicant: **Sunshine Enclosures LLC**, New York, NY (US)

(72) Inventor: **Edward Ubell**, New York, NY (US)

(73) Assignee: **Sunshine Enclosures LLC**, New York, NY (US)

(**) Term: **15 Years**

(21) Appl. No.: **29/758,070**

(22) Filed: **Nov. 12, 2020**

(51) **LOC (13) Cl.** **09-03**

(52) **U.S. Cl.**
USPC **D9/432**

(58) **Field of Classification Search**
USPC D9/420, 423, 652, 711, 721, 414-419, D9/430-433, 456; D3/20
CPC B65D 77/0433; B65D 5/44; B65D 5/64; B65D 5/66; B65D 5/00; B65D 5/02; B65D 5/18; B65D 5/20; B65D 5/0245; B65D 43/20; B65D 2215/00-08; B65D 77/00; B65D 77/04
See application file for complete search history.

(56) **References Cited**

U.S. PATENT DOCUMENTS

D798,708 S *	10/2017	Chambers	D9/432
D911,167 S *	2/2021	Tsai	D9/432
D911,833 S *	3/2021	Toroyan	D9/416
D922,195 S *	6/2021	Altman	D9/432

(Continued)

OTHER PUBLICATIONS

CreativeLabz843 Pre-Roll Packaging Boxes 3 Pack. [Online] 7 pages. First available 2022. Retrieved Jul. 27, 2022 from URL: <https://creativelabz843.com/products/pre-roll-packaging-child-resistant-5-pack-boxes-white?variant=31265378467893¤cy=USD&utm_medium=%E2%80%A6> (Year: 2022).*

resistant-5-pack-boxes-white?variant=31265378467893¤cy=USD&utm_medium=%E2%80%A6> (Year: 2022).*

(Continued)

Primary Examiner — Vy N Koenig

Assistant Examiner — Anastasia Longoria

(74) *Attorney, Agent, or Firm* — Bochner IP, PLLC; Andrew D. Bochner

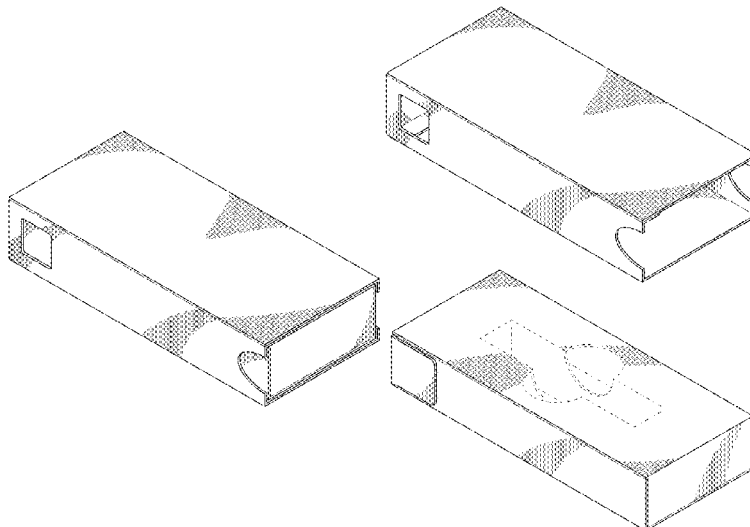
(57) **CLAIM**

The ornamental design for an inviolate box, as shown and described.

DESCRIPTION

FIG. 1 is a top, front, left-side perspective view of an inviolate box showing my new design; FIG. 2 is a front elevation view thereof; FIG. 3 is a rear elevation view thereof; FIG. 4 is a left side elevation view thereof; FIG. 5 is a right side elevation view thereof; FIG. 6 is a top plan view thereof at a reduced scale, the bottom plan view being a mirror image; FIG. 7 is a cross-section view thereof taken along line 7-7 of FIG. 2; FIG. 8 is a cross-section view thereof taken along line 8-8 of FIG. 2; FIG. 9 is an exploded view of the inviolate box of FIG. 1, showing the outer box component separated from the inner box component; FIG. 10 is a top, front left side perspective view of the inner box component shown separately to reveal aspects of the design that may not be visible in other figures; FIG. 11 is a front elevation view thereof; FIG. 12 is a rear elevation view thereof; FIG. 13 is a left side elevation thereof; FIG. 14 is a right side elevation view thereof; FIG. 15 is a top plan view thereof, at a reduced scale; and, FIG. 16 is a bottom plan view thereof, at a reduced scale. In the drawings, the broken lines are for the purpose of illustrating environment only, and form no part of the claimed design.

1 Claim, 6 Drawing Sheets



(56)

References Cited

U.S. PATENT DOCUMENTS

D932,891 S * 10/2021 Chambers D9/432
2011/0132779 A1* 6/2011 Loughman B65D 5/4204
229/125.125
2016/0251107 A1* 9/2016 Everett B65D 59/04
206/1.5
2019/0062023 A1* 2/2019 Lantz B65D 75/327
2020/0102113 A1* 4/2020 Laughlin B65D 5/38
2020/0180808 A1* 6/2020 Gauvin B65D 5/38
2021/0031969 A1* 2/2021 Fahlke B65D 50/046
2021/0053715 A1* 2/2021 Tsai B65D 59/04
2021/0107712 A1* 4/2021 Chambers B65D 5/5007
2021/0139220 A1* 5/2021 Lantz B65D 5/38
2022/0144507 A1* 5/2022 Ubell B65D 50/046

OTHER PUBLICATIONS

Amazon Pinch N Flip Premium Child Resistant Pre Roll Packaging Box Container. [Online] 6 pages. Published on: Sep. 23, 2020. Retrieved Jul. 27, 2022 from URL: <https://www.amazon.com/Pinch-Flip-Resistant-Packaging-Container/dp/B08JTP8RJC?source=ps-sl-shoppingads-lpcontext&ref_=fplfs&smid=A31WH%E2%80%A6> (Year: 2020).*

Amazon BENECREAT 12Pcs Black Cardboard Box. [Online] 6 pages. Published on: May 21, 2021. Retrieved Jul. 27, 2022 from URL: <https://www.amazon.com/BENECREAT-Packaging-4-8x2x1-5-Cardboard-Essential/dp/B095KLTMMW/ref=sr_1_13?crd=72CJTDW9Z0WT&keywords%E2%80%A6L> (Year: 2021).*

* cited by examiner

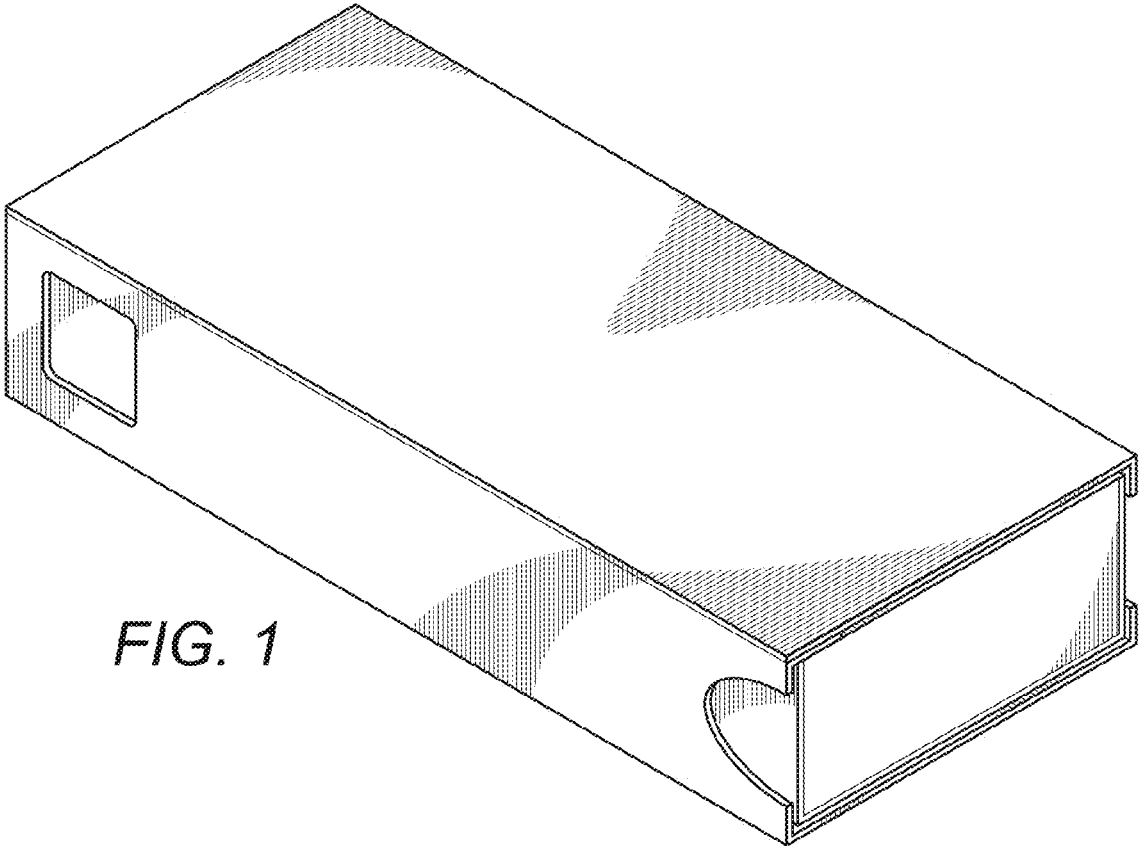


FIG. 1

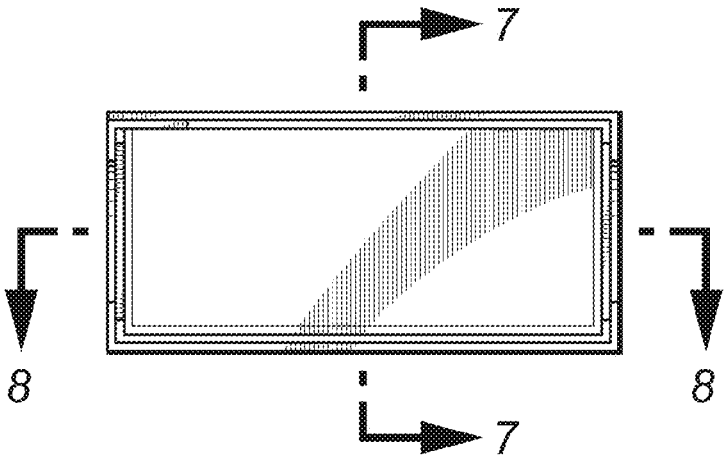


FIG. 2

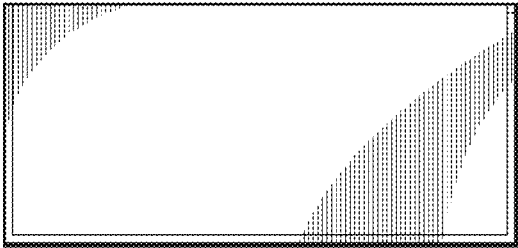


FIG. 3

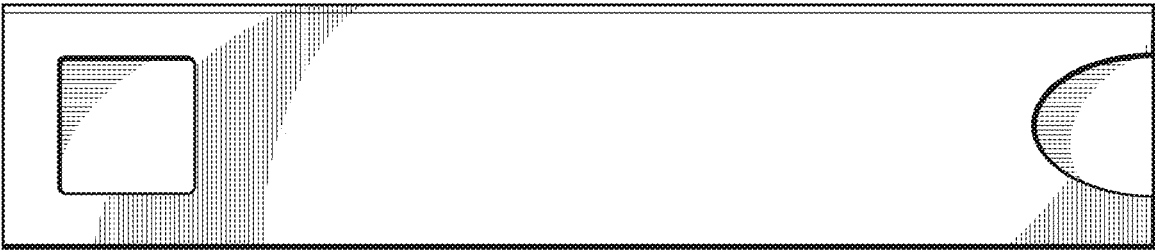


FIG. 4

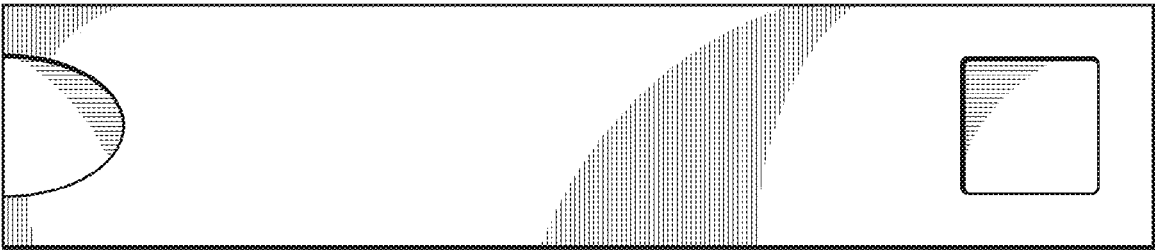


FIG. 5

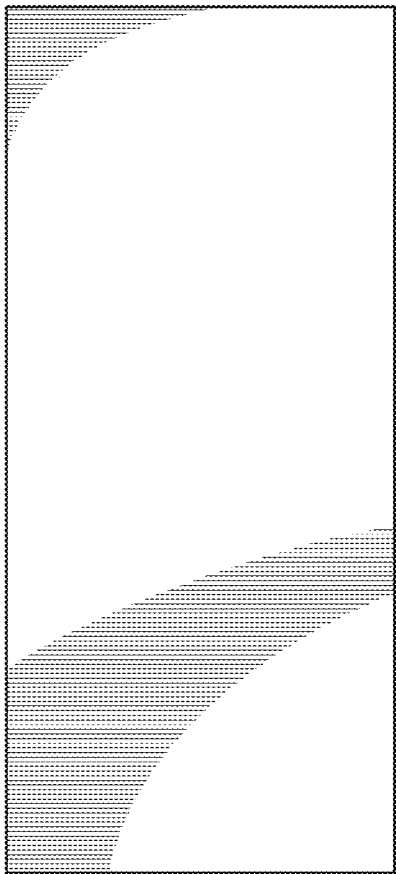


FIG. 6

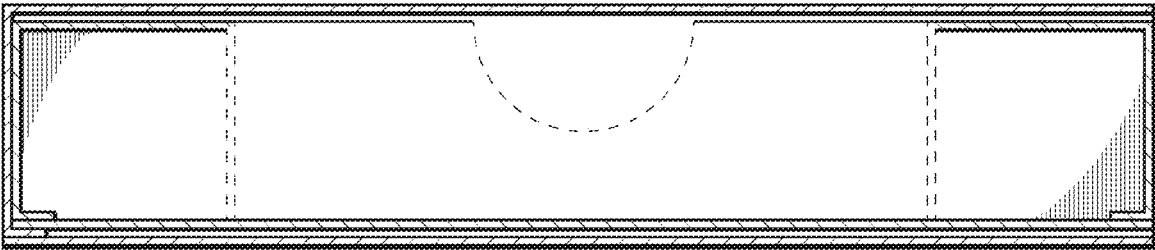


FIG. 7

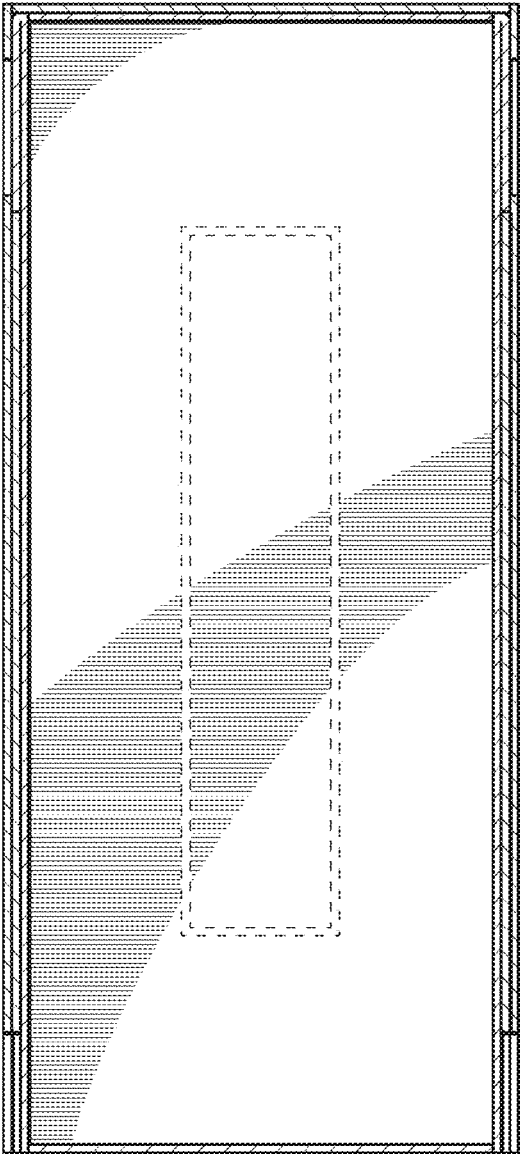


FIG. 8

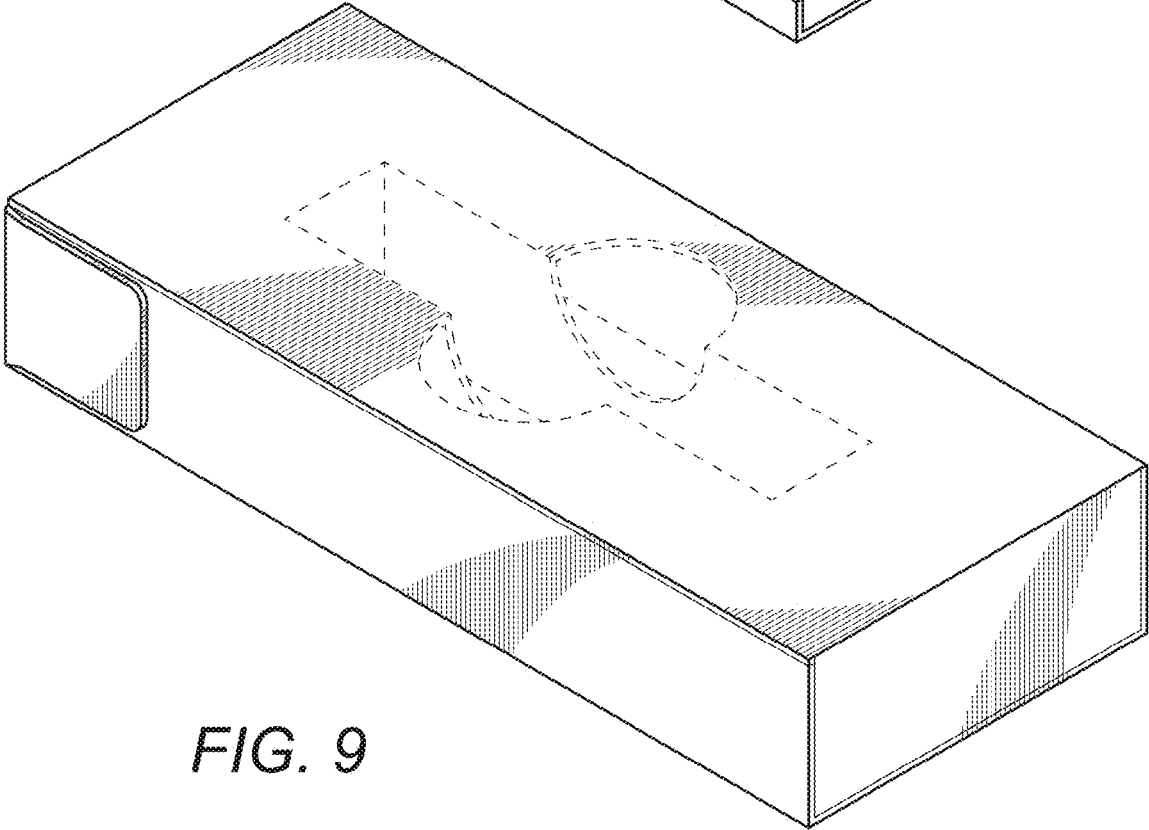
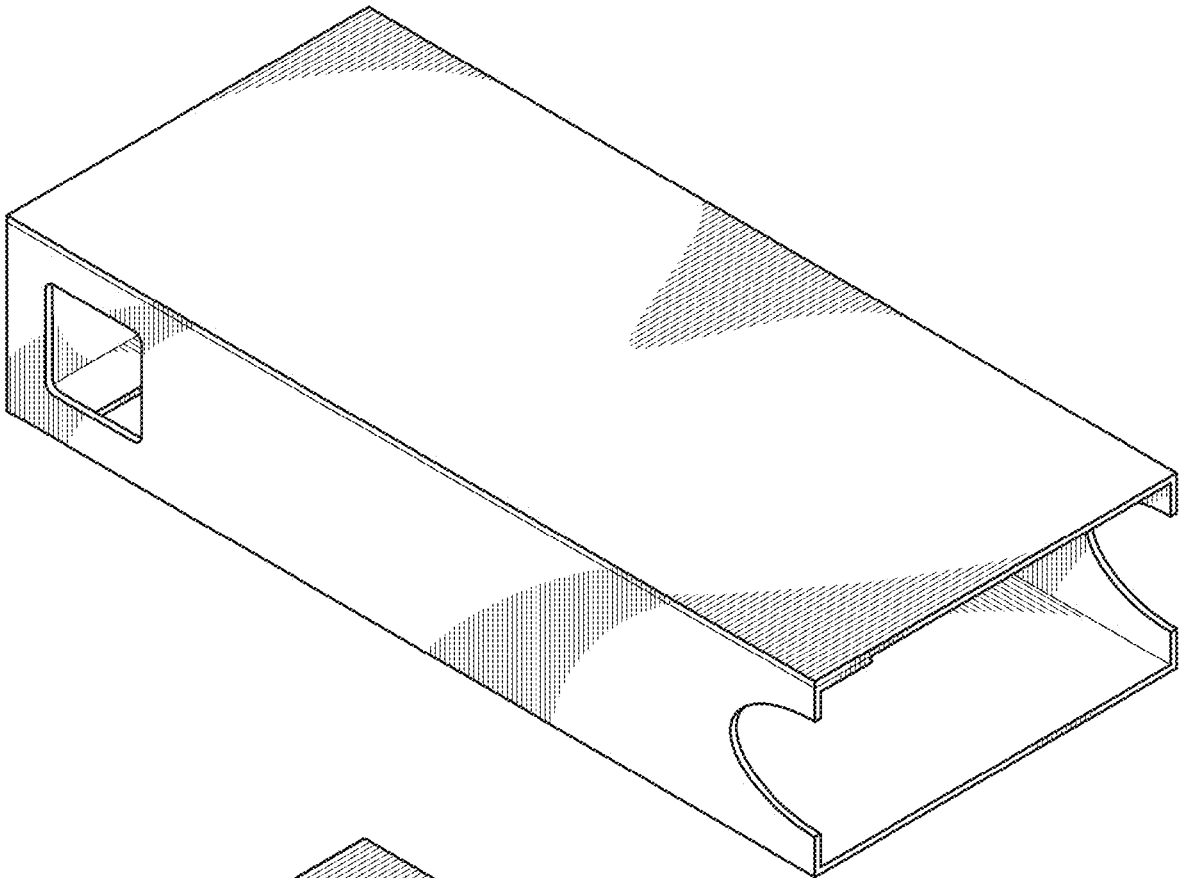


FIG. 9



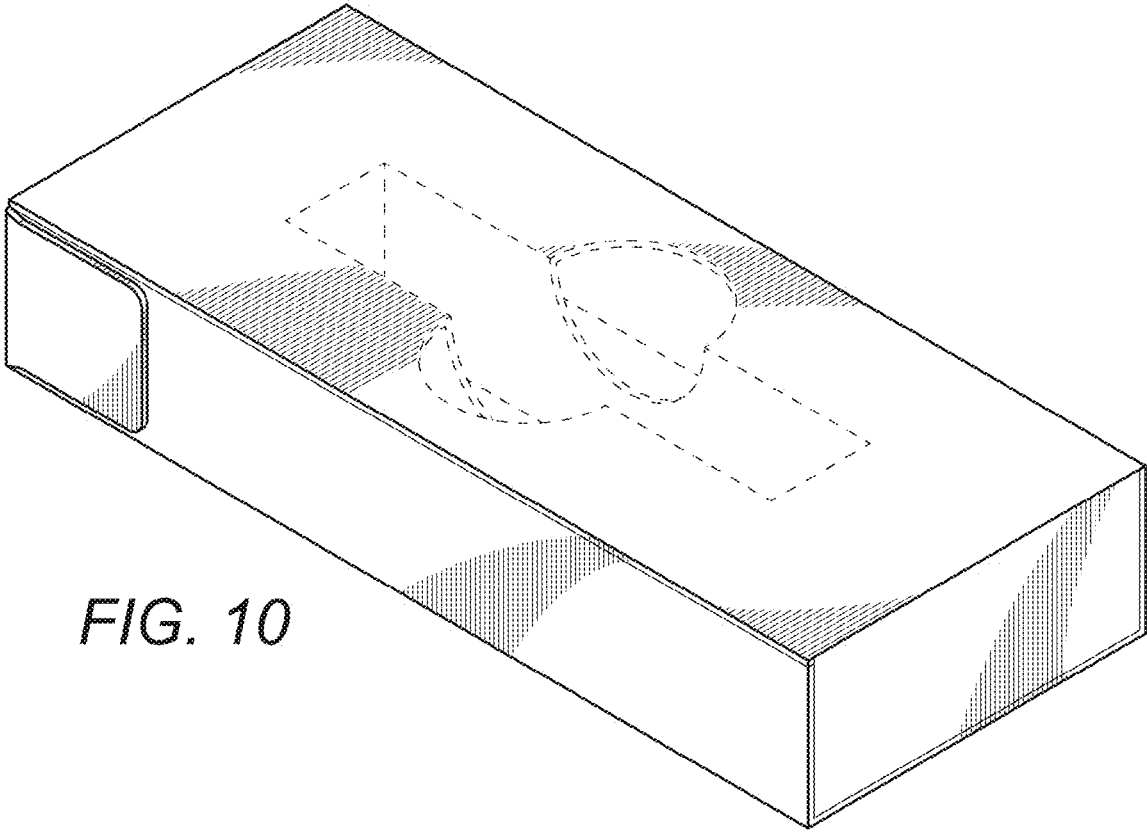


FIG. 10

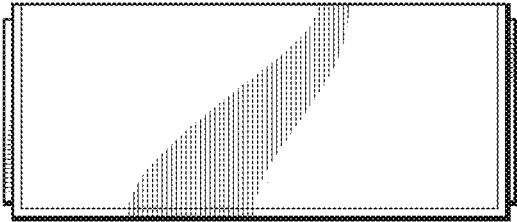


FIG. 11

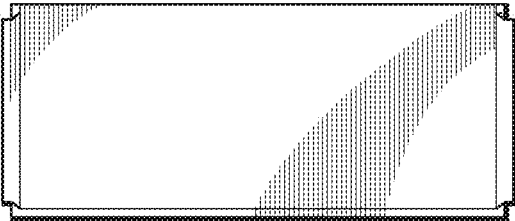


FIG. 12

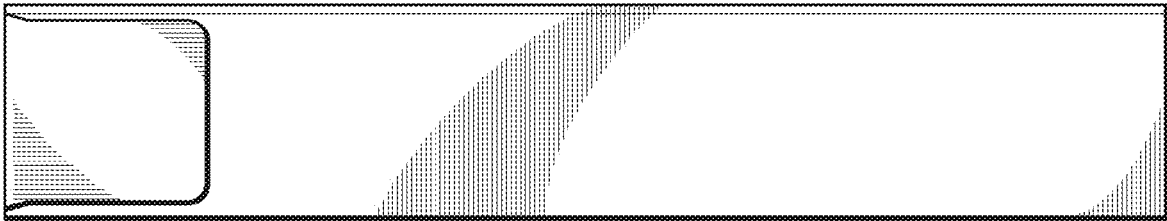


FIG. 13



FIG. 14

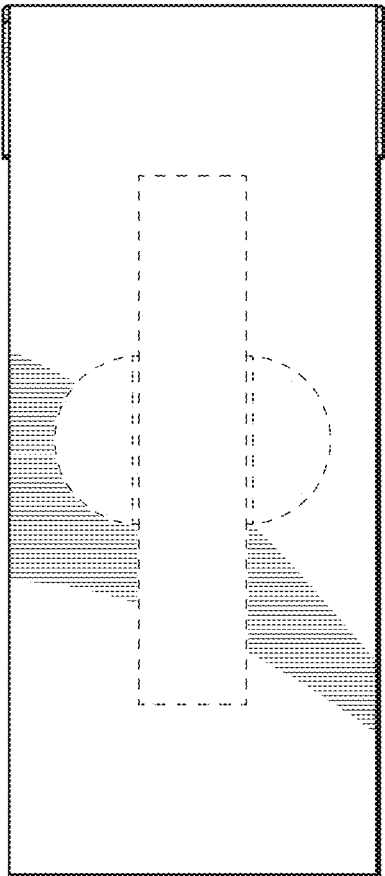


FIG. 15

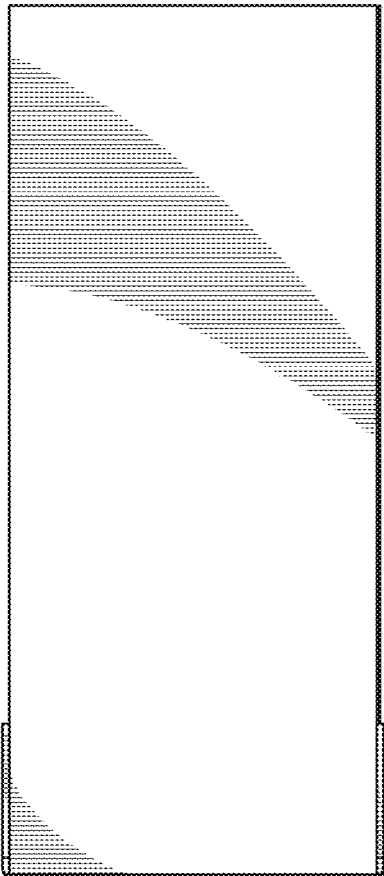


FIG. 16