

(19) World Intellectual Property Organization
International Bureau



(43) International Publication Date
9 August 2001 (09.08.2001)

PCT

(10) International Publication Number
WO 01/56836 A3

(51) International Patent Classification⁷: **B60R 9/04.**
9/045, B62D 25/06

(21) International Application Number: PCT/CA01/00131

(22) International Filing Date: 5 February 2001 (05.02.2001)

(25) Filing Language: English

(26) Publication Language: English

(30) Priority Data:
60/180,431 4 February 2000 (04.02.2000) US

(71) Applicant (for all designated States except US): **DE-COMA INTERNATIONAL INC.** [CA/CA]; 50 Casmir Court, Concord, Ontario L4K 4J5 (CA).

(72) Inventor; and

(75) Inventor/Applicant (for US only): **HENDERSON, Jack,** V. [US/US]; 6118 Dunmore Dr., West Blomfield, MI 48322 (US).

(74) Agent: **IMAI, Jeffrey, T.**; Magna International Inc., 337 Magna Drive, Aurora, Ontario L4G 7K1 (CA).

(81) Designated States (national): AE, AG, AL, AM, AT, AU, AZ, BA, BB, BG, BR, BY, BZ, CA, CH, CN, CR, CU, CZ, DE, DK, DM, DZ, EE, ES, FI, GB, GD, GE, GH, GM, HR, HU, ID, IL, IN, IS, JP, KE, KG, KP, KR, KZ, LC, LK, LR, LS, LT, LU, LV, MA, MD, MG, MK, MN, MW, MX, MZ, NO, NZ, PL, PT, RO, RU, SD, SE, SG, SI, SK, SL, TJ, TM, TR, TT, TZ, UA, UG, US, UZ, VN, YU, ZA, ZW.

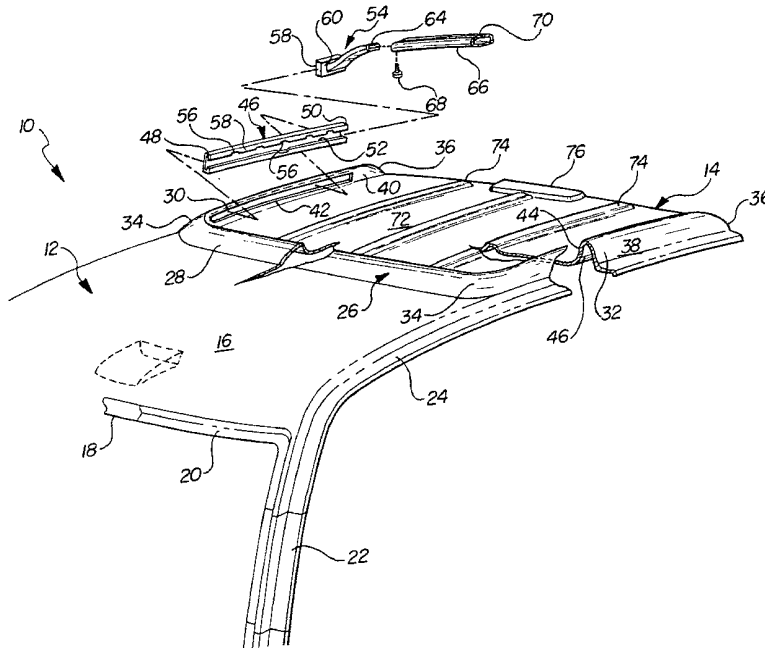
(84) Designated States (regional): ARIPO patent (GH, GM, KE, LS, MW, MZ, SD, SL, SZ, TZ, UG, ZW), Eurasian patent (AM, AZ, BY, KG, KZ, MD, RU, TJ, TM), European patent (AT, BE, CH, CY, DE, DK, ES, FI, FR, GB, GR, IE, IT, LU, MC, NL, PT, SE, TR), OAPI patent (BF, BJ, CF, CG, CI, CM, GA, GN, GW, ML, MR, NE, SN, TD, TG).

Published:
— with international search report

(88) Date of publication of the international search report:
31 January 2002

For two-letter codes and other abbreviations, refer to the "Guidance Notes on Codes and Abbreviations" appearing at the beginning of each regular issue of the PCT Gazette.

(54) Title: INTEGRALLY FORMED ROOF RACK



(57) Abstract: A vehicle roof (10) panel includes a roof portion (12) and roof rack portion (14) with an integrally embossed portion defined by longitudinally extending spaced apart side portions (30, 32). A side (46) rail is attached to each of the side portions (30, 32). A cross member (66) has connectors for selectively and slidably interconnecting to the side rail (46) thereby retaining the cross member (66) elevated above the planar surface of the roof panel (10).



WO 01/56836 A3

INTERNATIONAL SEARCH REPORT

International Application No

PCT/CA 01/00131

A. CLASSIFICATION OF SUBJECT MATTER
 IPC 7 B60R9/04 B60R9/045 B62D25/06

According to International Patent Classification (IPC) or to both national classification and IPC

B. FIELDS SEARCHED

Minimum documentation searched (classification system followed by classification symbols)
 IPC 7 B60R B62D

Documentation searched other than minimum documentation to the extent that such documents are included in the fields searched

Electronic data base consulted during the international search (name of data base and, where practical, search terms used)

EPO-Internal, WPI Data, PAJ

C. DOCUMENTS CONSIDERED TO BE RELEVANT

Category °	Citation of document, with indication, where appropriate, of the relevant passages	Relevant to claim No.
A	FR 2 632 595 A (RENAULT) 15 December 1989 (1989-12-15) abstract	1, 10
A	DE 34 29 880 A (OPEL) 27 February 1986 (1986-02-27)	
A	DE 92 07 442 U (HS TECHNIK) 8 October 1992 (1992-10-08)	
A	DE 86 18 837 U (PIECHA) 9 April 1987 (1987-04-09)	
A	GB 2 048 802 A (INTERTRADE GLASS) 17 December 1980 (1980-12-17)	
A	GB 820 047 A (DAIMLER-BENZ) 16 September 1959 (1959-09-16)	
	-/--	

Further documents are listed in the continuation of box C.

Patent family members are listed in annex.

° Special categories of cited documents :

- *A* document defining the general state of the art which is not considered to be of particular relevance
- *E* earlier document but published on or after the international filing date
- *L* document which may throw doubts on priority claim(s) or which is cited to establish the publication date of another citation or other special reason (as specified)
- *O* document referring to an oral disclosure, use, exhibition or other means
- *P* document published prior to the international filing date but later than the priority date claimed

- *T* later document published after the international filing date or priority date and not in conflict with the application but cited to understand the principle or theory underlying the invention
- *X* document of particular relevance; the claimed invention cannot be considered novel or cannot be considered to involve an inventive step when the document is taken alone
- *Y* document of particular relevance; the claimed invention cannot be considered to involve an inventive step when the document is combined with one or more other such documents, such combination being obvious to a person skilled in the art.
- *&* document member of the same patent family

Date of the actual completion of the international search

29 October 2001

Date of mailing of the international search report

05/11/2001

Name and mailing address of the ISA

European Patent Office, P.B. 5818 Patentlaan 2
 NL - 2280 HV Rijswijk
 Tel. (+31-70) 340-2040, Tx. 31 651 epo nl,
 Fax: (+31-70) 340-3016

Authorized officer

Knops, J

INTERNATIONAL SEARCH REPORT

International Application No

PCT/CA 01/00131

C.(Continuation) DOCUMENTS CONSIDERED TO BE RELEVANT

Category °	Citation of document, with indication, where appropriate, of the relevant passages	Relevant to claim No.
A	FR 2 589 813 A (BOISGERAULT) 15 May 1987 (1987-05-15) ---	
A	FR 1 092 594 A (MEGIÈS) 22 April 1955 (1955-04-22) -----	

INTERNATIONAL SEARCH REPORT

Information on patent family members

International Application No

PCT/CA 01/00131

Patent document cited in search report		Publication date	Patent family member(s)	Publication date
FR 2632595	A	15-12-1989	FR 2632595 A1	15-12-1989
DE 3429880	A	27-02-1986	DE 3429880 A1	27-02-1986
DE 9207442	U	08-10-1992	DE 9207442 U1	08-10-1992
DE 8618837	U	09-04-1987	DE 8618837 U1	09-04-1987
GB 2048802	A	17-12-1980	NONE	
GB 820047	A	16-09-1959	NONE	
FR 2589813	A	15-05-1987	FR 2589813 A1	15-05-1987
FR 1092594	A	22-04-1955	NONE	