



US00D879014S

(12) **United States Design Patent**
Hartlund

(10) **Patent No.:** **US D879,014 S**

(45) **Date of Patent:** **** Mar. 24, 2020**

(54) **SEATBACK HOLDER FOR OBJECTS**

OTHER PUBLICATIONS

(71) Applicant: **Jason Hartlund**, Colgate, WI (US)

<https://www.mobilemount.com/> accessed Dec. 7, 2017.
[https://www.facebook.com/pg/mobilemount/photos/?ref=page_](https://www.facebook.com/pg/mobilemount/photos/?ref=page_internal)
internal accessed Dec. 7, 2017.

(72) Inventor: **Jason Hartlund**, Colgate, WI (US)

* cited by examiner

(**) Term: **15 Years**

Primary Examiner — Abraham Bahta
(74) *Attorney, Agent, or Firm* — Andrus Intellectual
Property Law, LLP

(21) Appl. No.: **29/616,320**

(22) Filed: **Sep. 5, 2017**

(57) **CLAIM**

(51) **LOC (12) Cl.** **12-16**

The ornamental design for a seatback holder for objects, as shown and described.

(52) **U.S. Cl.**

USPC **D12/416**

DESCRIPTION

(58) **Field of Classification Search**

USPC D3/274, 273, 276, 283, 284–289, 905,
D3/203.1, 203.6, 205, 313–315, 215, 243,
D3/244, 299, 902, 318–319; D12/400,
D12/191, 345, 96; D7/605, 607; 296/36,
296/37.8–37.16; 224/404, 572, 275, 277,
224/400, 276; 297/232, 248, 188.01,
297/188.18, 188.2; D19/78, 86;
206/214, 224, 371

CPC A45C 3/04; A45C 3/00; A45C 5/05; A45C
11/20; A45C 11/00; B42F 9/00; B42F
9/002; B42F 9/004; B42F 11/00; B42F
11/04; A47G 1/06; A47G 1/12

See application file for complete search history.

FIG. 1 is a front perspective view of a seatback holder for objects according to my new ornamental design. The seatback holder for objects is illustrated in use on an example seatback and holding an example object; FIG. 2 is a front perspective view thereof; FIG. 3 is a rear perspective view thereof; FIG. 4 is a front view thereof; FIG. 5 is a first side view thereof; FIG. 6 is a second side view thereof; FIG. 7 is a top view thereof; FIG. 8 is a bottom view thereof; and, FIG. 9 is a rear view thereof.

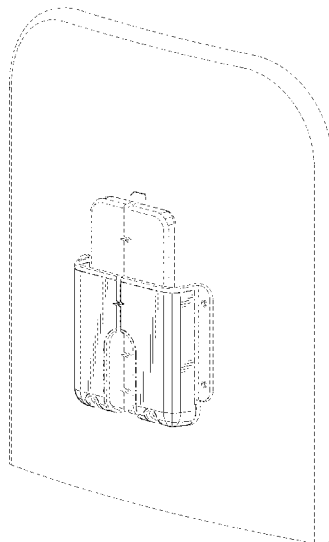
The evenly-dashed broken lines of FIGS. 1-9 depict portions of the seatback holder for objects that form no part of the claimed design. The dash-dot-dash broken lines of FIGS. 1-6, and 8 between the solid line portions and the broken line portions of the seatback holder for objects depict the boundary of the claimed design and form no part of the claimed design. Portions of the seatback holder for objects shown in dashed lines beyond these boundary lines form no part of the claimed design. The seatback and the object illustrated with evenly-dashed lines in FIG. 1 illustrate an environment in which the seatback holder for objects can be used and form no part of the claimed design.

(56) **References Cited**

U.S. PATENT DOCUMENTS

D267,808 S *	2/1983	Russo	D19/78
D479,186 S *	9/2003	Hassett	D12/416
D490,857 S *	6/2004	Snell	D19/78
D539,037 S *	3/2007	Bergh	D12/416
D632,510 S *	2/2011	Johnson	D12/416
D645,902 S *	9/2011	Tsai	D19/90
D658,568 S *	5/2012	Currier	D12/416
D801,910 S *	11/2017	Salisbury	D12/416

1 Claim, 4 Drawing Sheets



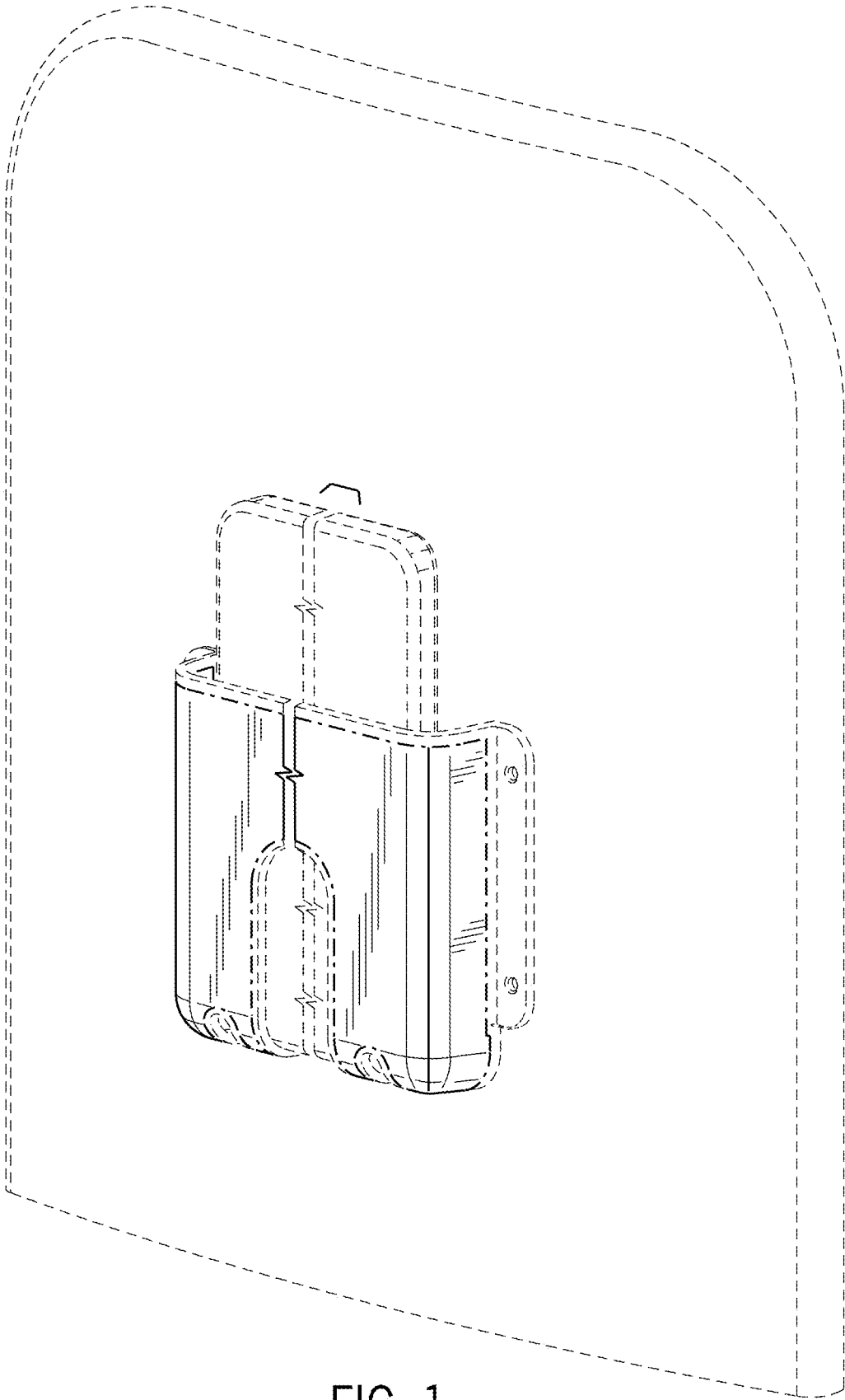


FIG. 1

FIG. 2

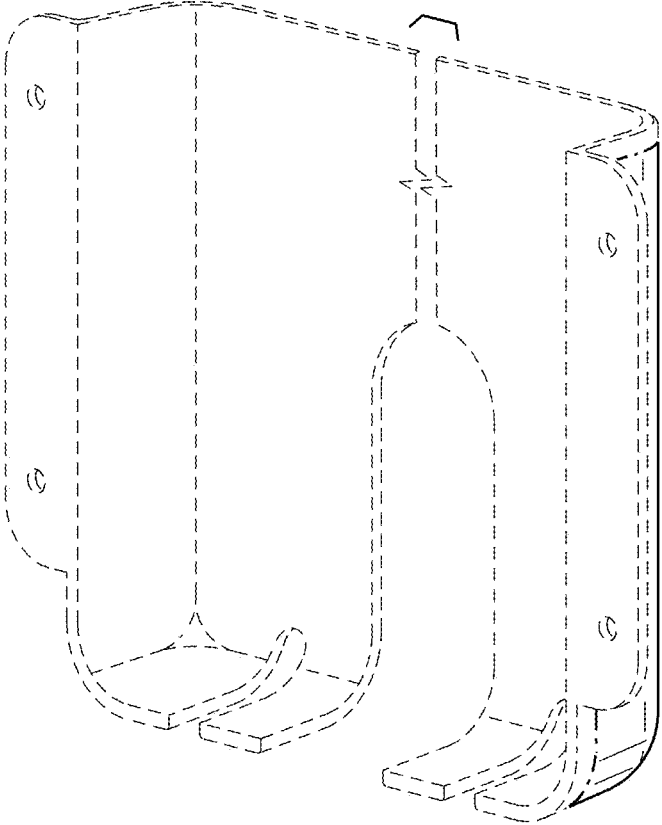
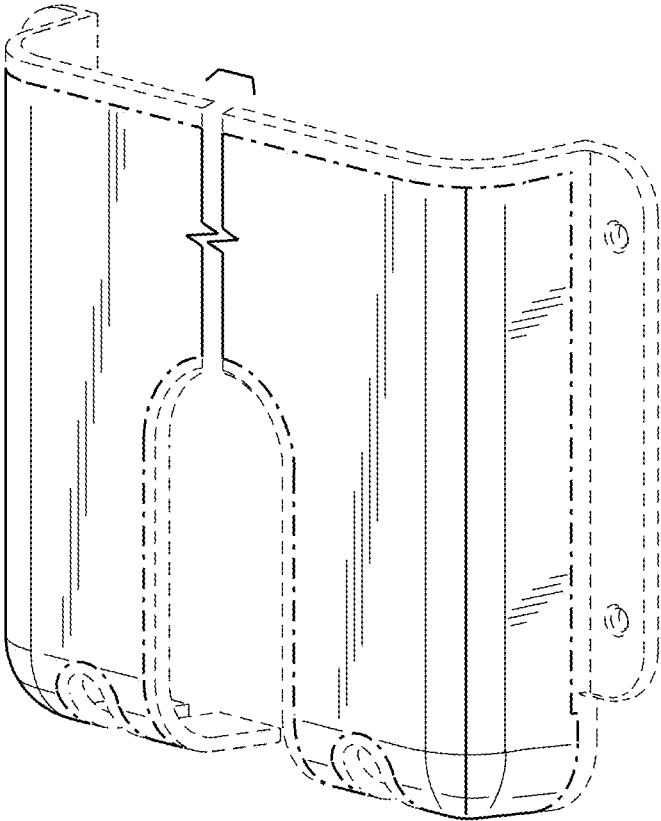


FIG. 3

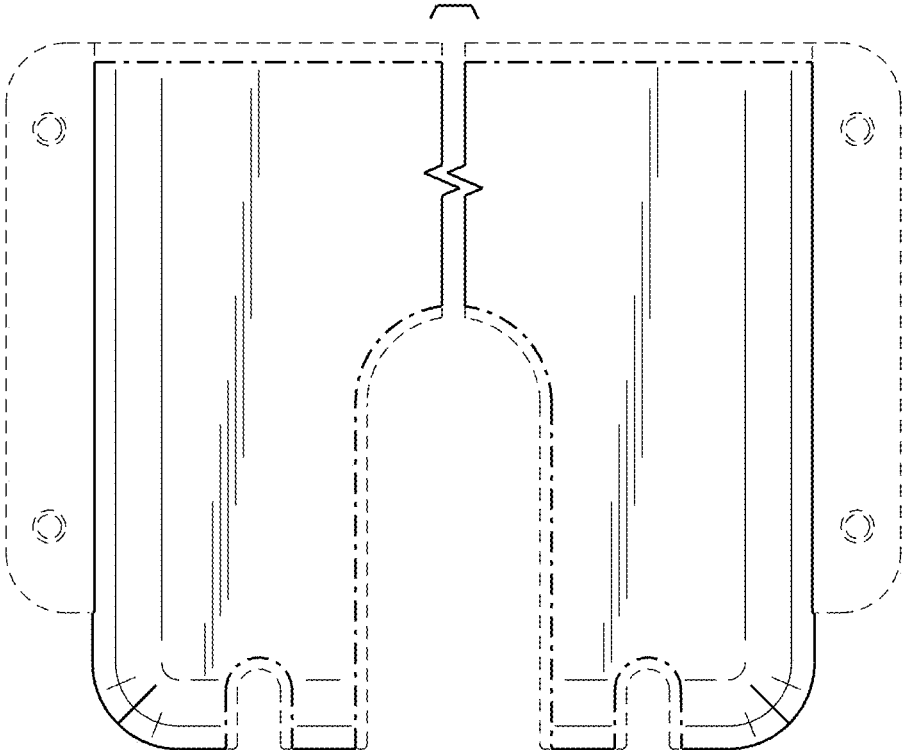


FIG. 4

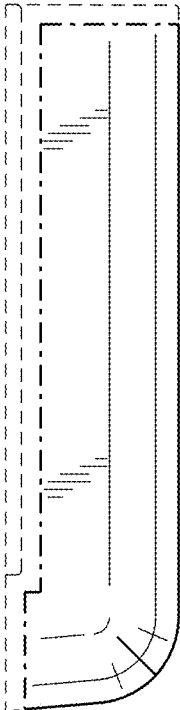


FIG. 5

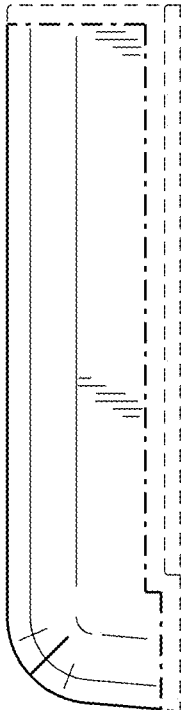


FIG. 6

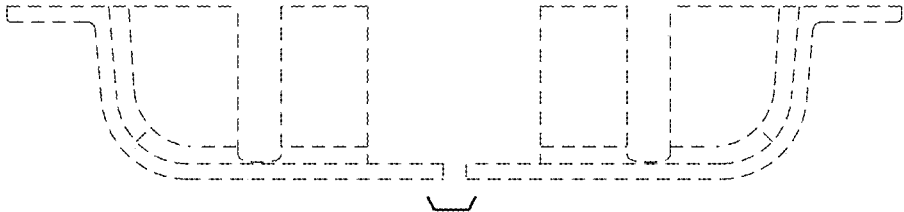


FIG. 7

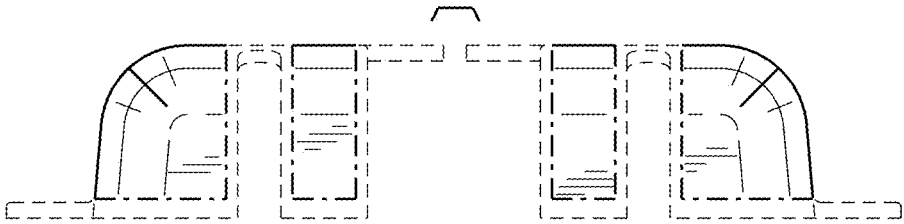


FIG. 8

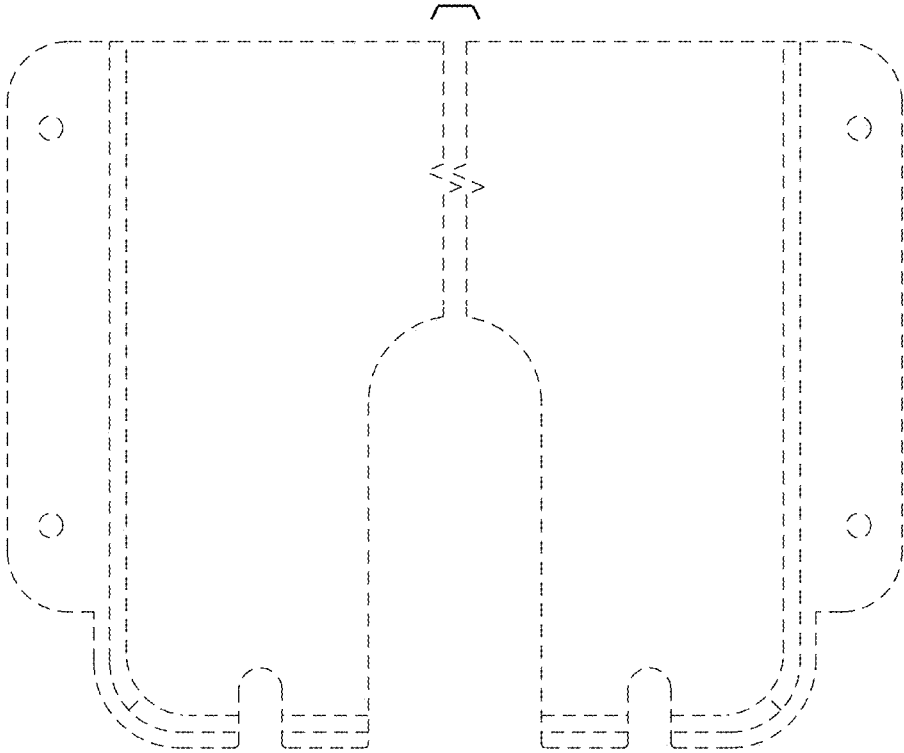


FIG. 9