



(12) **United States Design Patent**
Nakamura

(10) **Patent No.:** **US D1,055,030 S**
(45) **Date of Patent:** **** Dec. 24, 2024**

(54) EARPHONE	3,431,370 A * 3/1969 Crosby H04R 25/60 285/261
(71) Applicant: Panasonic Intellectual Property Management Co., Ltd., Osaka (JP)	3,811,437 A * 5/1974 Gardner, Jr. A61F 11/08 521/73
(72) Inventor: Yosuke Nakamura, Osaka (JP)	4,253,452 A * 3/1981 Powers A61F 11/08 264/249
(73) Assignee: PANASONIC INTELLECTUAL PROPERTY MANAGEMENT CO., LTD., Osaka (JP)	4,456,795 A * 6/1984 Saito G06F 3/023 381/322
(73) Assignee: PANASONIC INTELLECTUAL PROPERTY MANAGEMENT CO., LTD., Osaka (JP)	D299,344 S * 1/1989 Stevens D24/174
(73) Assignee: PANASONIC INTELLECTUAL PROPERTY MANAGEMENT CO., LTD., Osaka (JP)	D326,268 S * 5/1992 Le Tixerant D14/251
(73) Assignee: PANASONIC INTELLECTUAL PROPERTY MANAGEMENT CO., LTD., Osaka (JP)	5,792,998 A * 8/1998 Gardner, Jr. A61F 11/14 181/135
(**) Term: 15 Years	D441,739 S * 5/2001 Hayes D14/223 (Continued)

(21) Appl. No.: **29/882,741**

FOREIGN PATENT DOCUMENTS

(22) Filed: **Jan. 18, 2023**

CN	308835742	*	9/2024
EM	015007994-0001	*	1/2023

(Continued)

(30) **Foreign Application Priority Data**

Aug. 3, 2022 (JO) 2022-016597 D

(51) **LOC (14) Cl.** **14-01**

(52) **U.S. Cl.** **D14/223**
USPC **D14/223**

(58) **Field of Classification Search**
USPC D14/223, 205; D24/106; 381/322, 325,
381/328, 330

CPC . A61F 11/10; A61F 11/08; H04R 1/10; H04R
25/00; H04R 25/02; H04R 1/1066; H04R
1/1016; H04R 5/033; H04R 5/0335
See application file for complete search history.

(56) **References Cited**

U.S. PATENT DOCUMENTS

1,581,700 A *	4/1926	Summer	H04R 25/00 181/135
2,430,229 A *	11/1947	Kelsey	H04R 25/656 381/313
D203,445 S *	1/1966	Bowelt	D14/205
3,259,128 A *	7/1966	Leight	A61F 11/08 128/865

Primary Examiner — Paula Allen Greene
(74) *Attorney, Agent, or Firm* — WHDA, LLP

(57) **CLAIM**

The ornamental design for an earphone, as shown and described.

DESCRIPTION

FIG. 1 is a perspective view of an earphone showing my new design;

FIG. 2 is a front elevational view thereof;

FIG. 3 is a right side elevational view thereof;

FIG. 4 is a left side elevational view thereof;

FIG. 5 is a top plan view thereof;

FIG. 6 is a bottom plan view thereof; and,

FIG. 7 is a rear elevational view thereof.

The broken lines in the drawings illustrate portions of the earphone that form no part of the claimed design. The dash-dotted lines in the drawings define the boundaries of the claimed design.

1 Claim, 7 Drawing Sheets

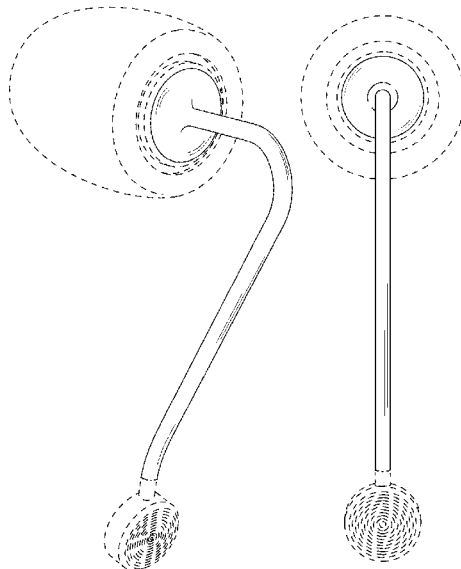


FIG. 1

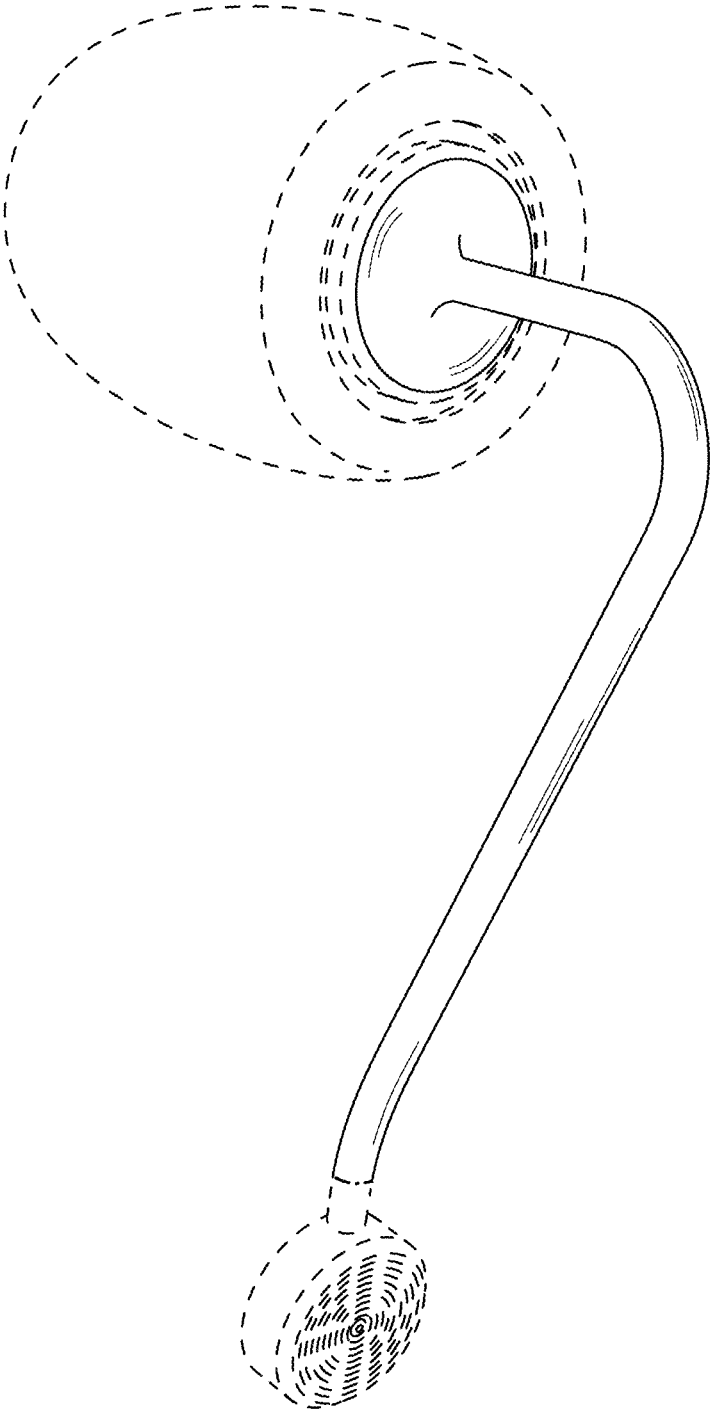


FIG. 2

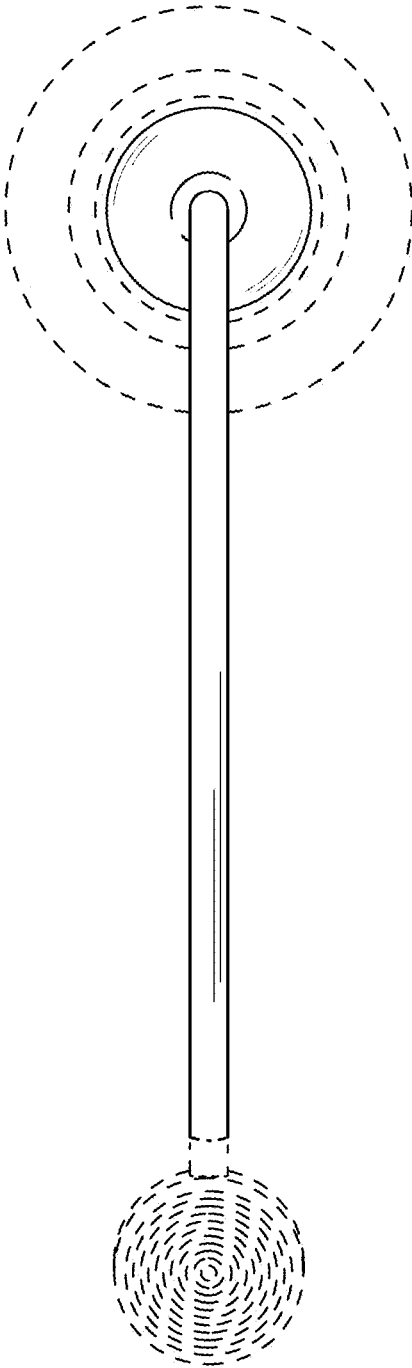


FIG. 3

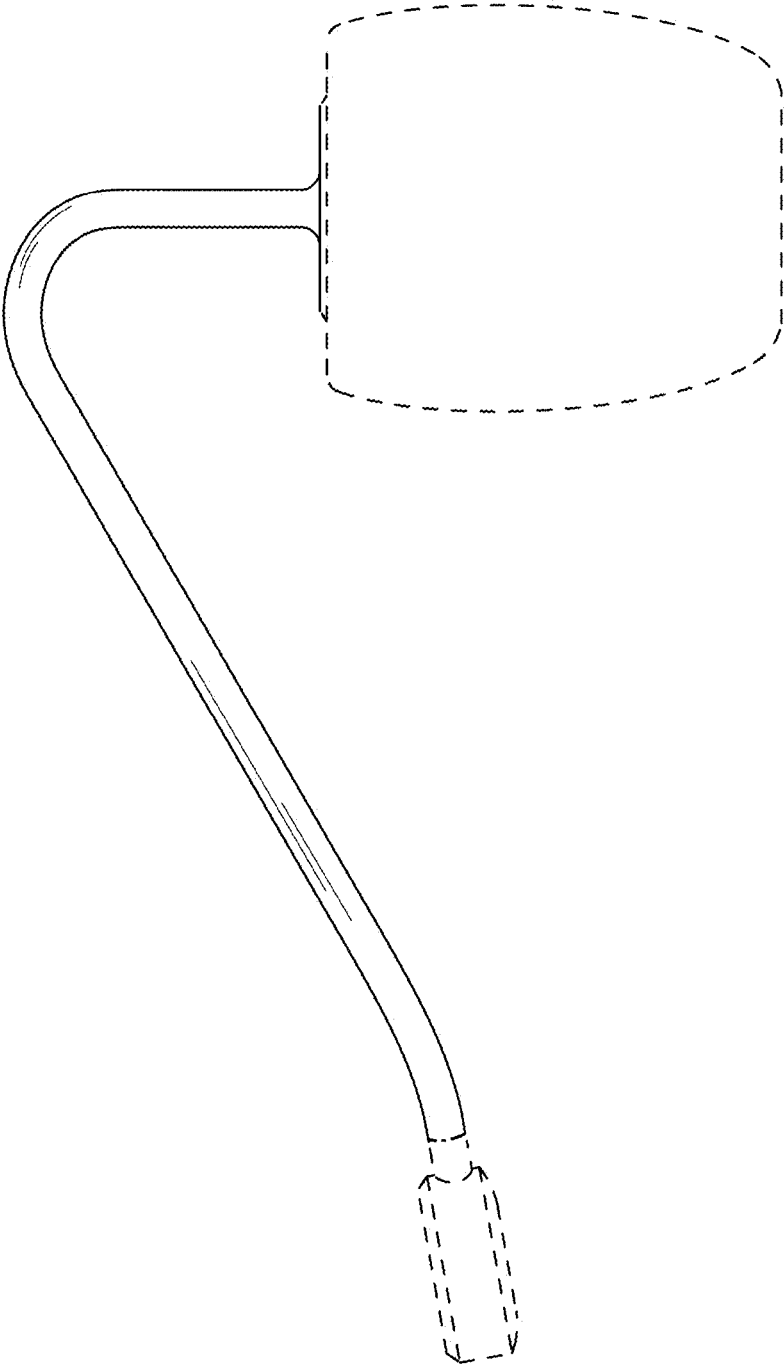


FIG. 4

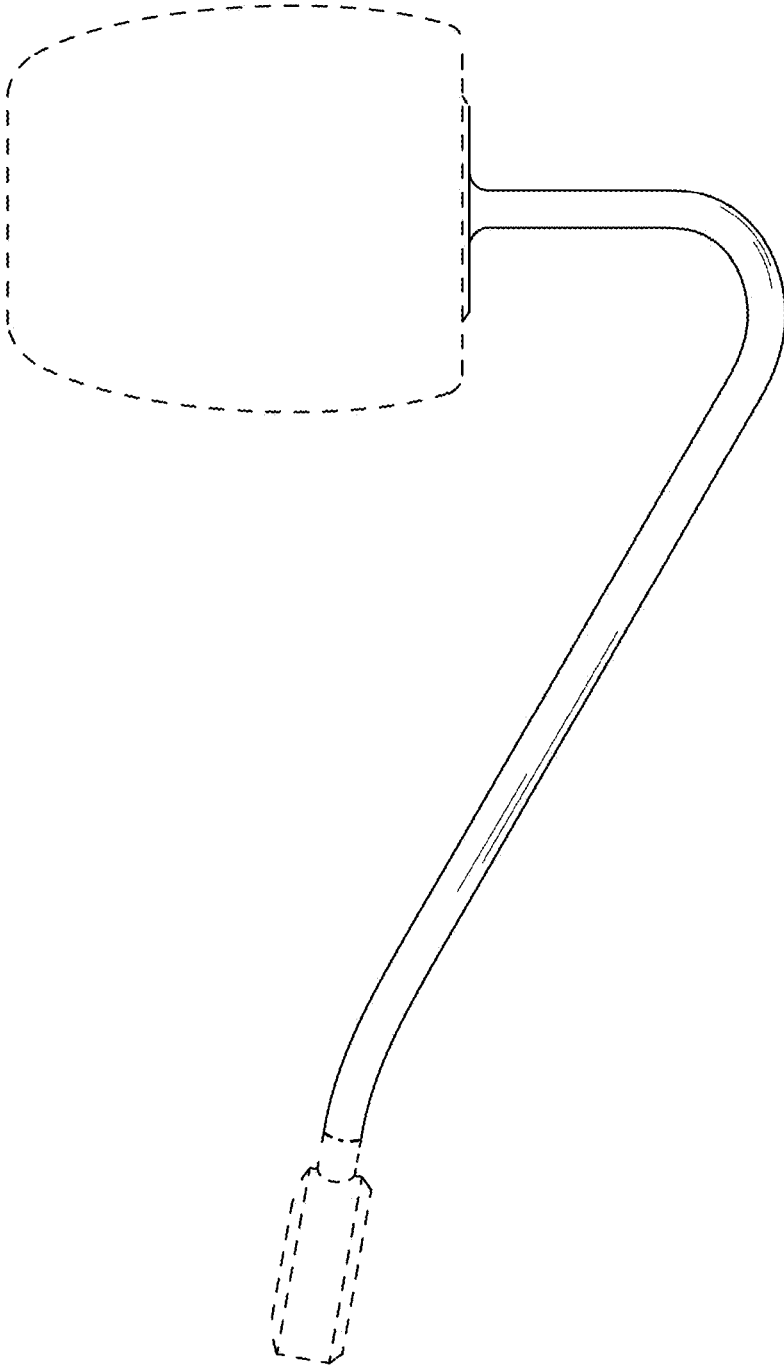


FIG. 5

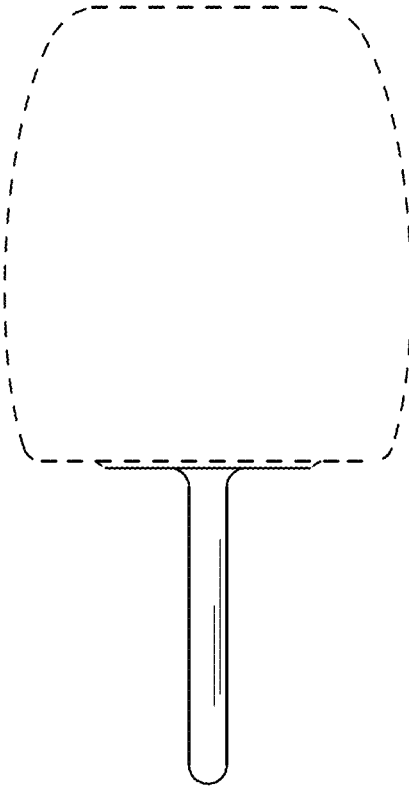


FIG. 6

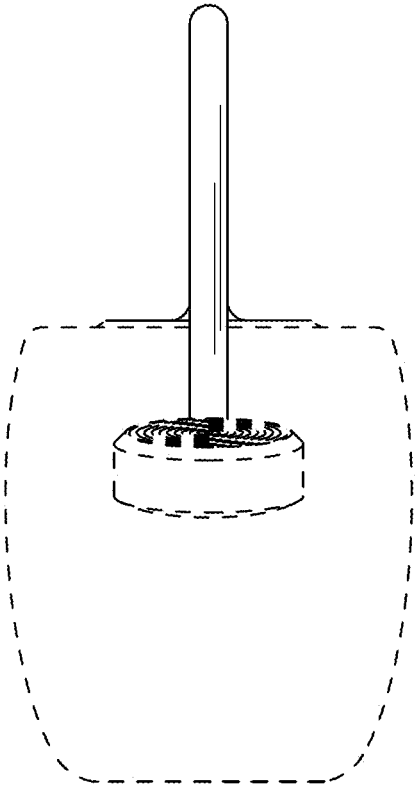


FIG. 7

