



US00D714974S

(12) **United States Design Patent**
Parker et al.

(10) **Patent No.:** **US D714,974 S**

(45) **Date of Patent:** **** Oct. 7, 2014**

(54) **LED LIGHT BULB**

(71) Applicant: **Rambus Delaware LLC**, Brecksville, OH (US)

(72) Inventors: **Jeffery R. Parker**, Richfield, OH (US);
Christopher R. Ruhland, Parma Heights, OH (US)

(73) Assignee: **Rambus Delaware LLC**, Brecksville, OH (US)

(**) Term: **14 Years**

(21) Appl. No.: **29/461,894**

(22) Filed: **Jul. 29, 2013**

(51) **LOC (10) Cl.** **26-04**

(52) **U.S. Cl.**
USPC **D26/2**

(58) **Field of Classification Search**
USPC D26/1-4; 313/313, 315, 316, 317, 318,
313/493; 315/52, 53, 56, 57, 58
See application file for complete search history.

(56) **References Cited**

U.S. PATENT DOCUMENTS

D531,741 S	*	11/2006	Takahashi	D26/2
D538,953 S	*	3/2007	Mama	D26/2
D548,369 S	*	8/2007	Bembridge et al.	D26/2
D549,360 S	*	8/2007	An	D26/2

D550,864 S	*	9/2007	Hernandez et al.	D26/2
D553,267 S	*	10/2007	Yuen	D26/2
D601,278 S	*	9/2009	Takahashi	D26/2
D602,614 S	*	10/2009	Takahashi et al.	D26/2

* cited by examiner

Primary Examiner — Marcus Jackson

(74) *Attorney, Agent, or Firm* — Renner, Otto, Boisselle & Sklar, LLP

(57) **CLAIM**

The ornamental design for an LED light bulb, as shown and described.

DESCRIPTION

FIG. 1 is a perspective view an LED light bulb showing our new design.

FIG. 2 is a front view thereof.

FIG. 3 is a rear view thereof.

FIG. 4 is a left side view thereof.

FIG. 5 is a right side view thereof.

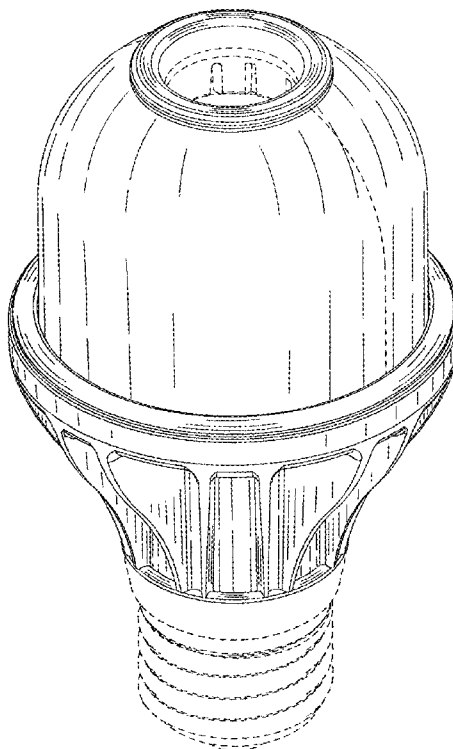
FIG. 6 is a top view thereof; and,

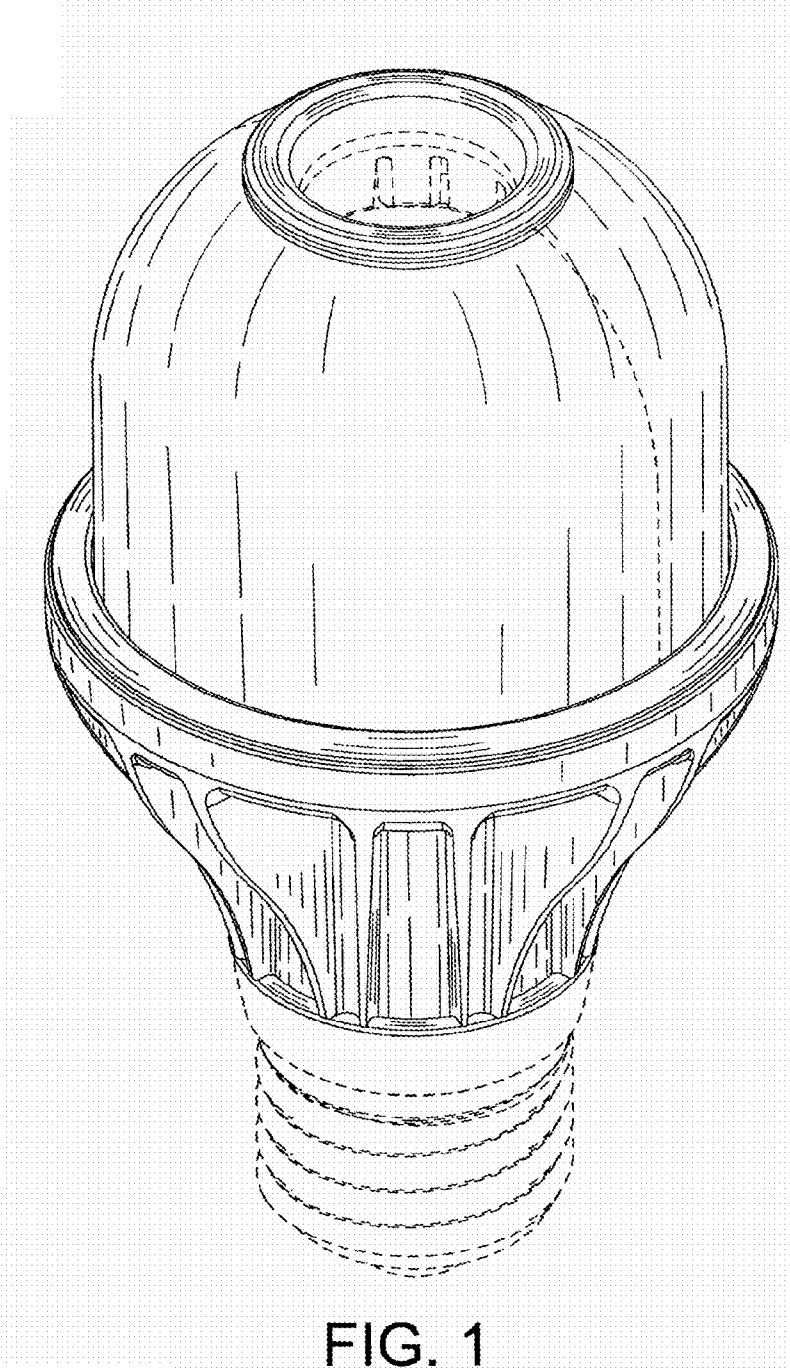
FIG. 7 is a bottom view thereof.

The broken lines shown herein are for illustrative purposes only and form no part of the claimed design.

It is understood that the appearance of any part of the article ordinarily visible through the light guide or through the central opening in the top end cap and not shown in the drawing or described in the specification forms no part of the claimed design.

1 Claim, 7 Drawing Sheets





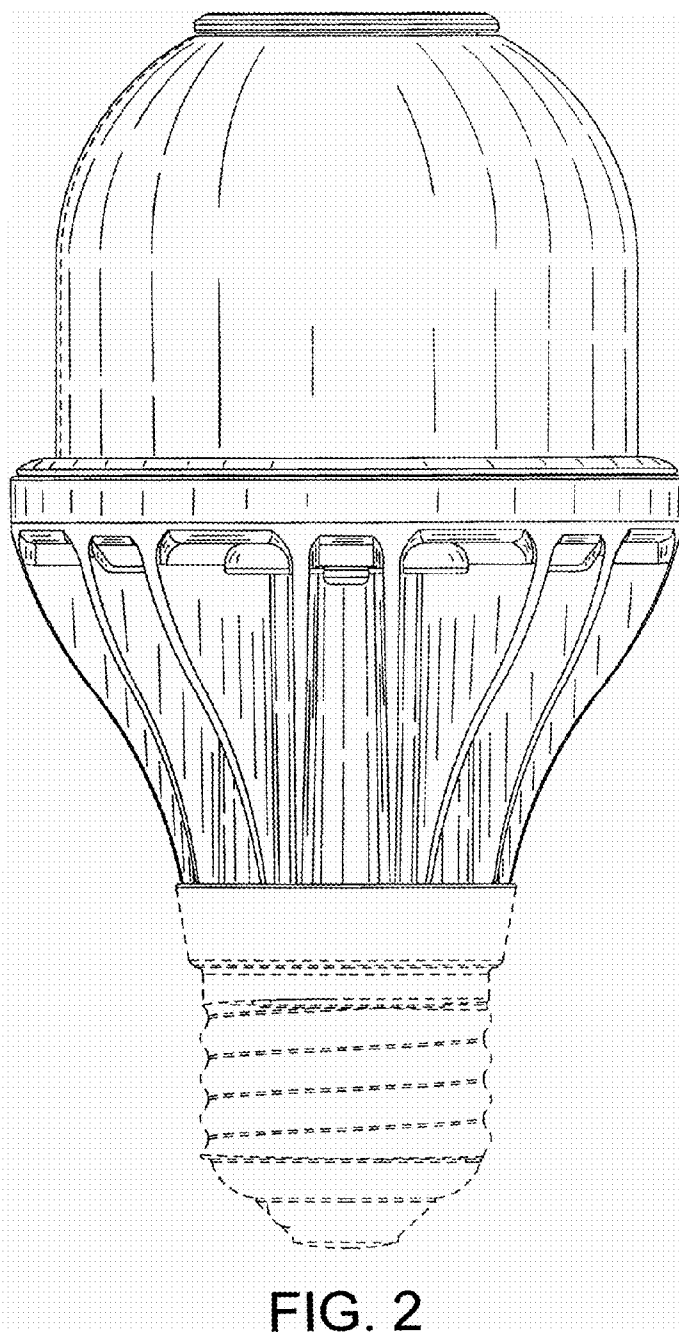


FIG. 2

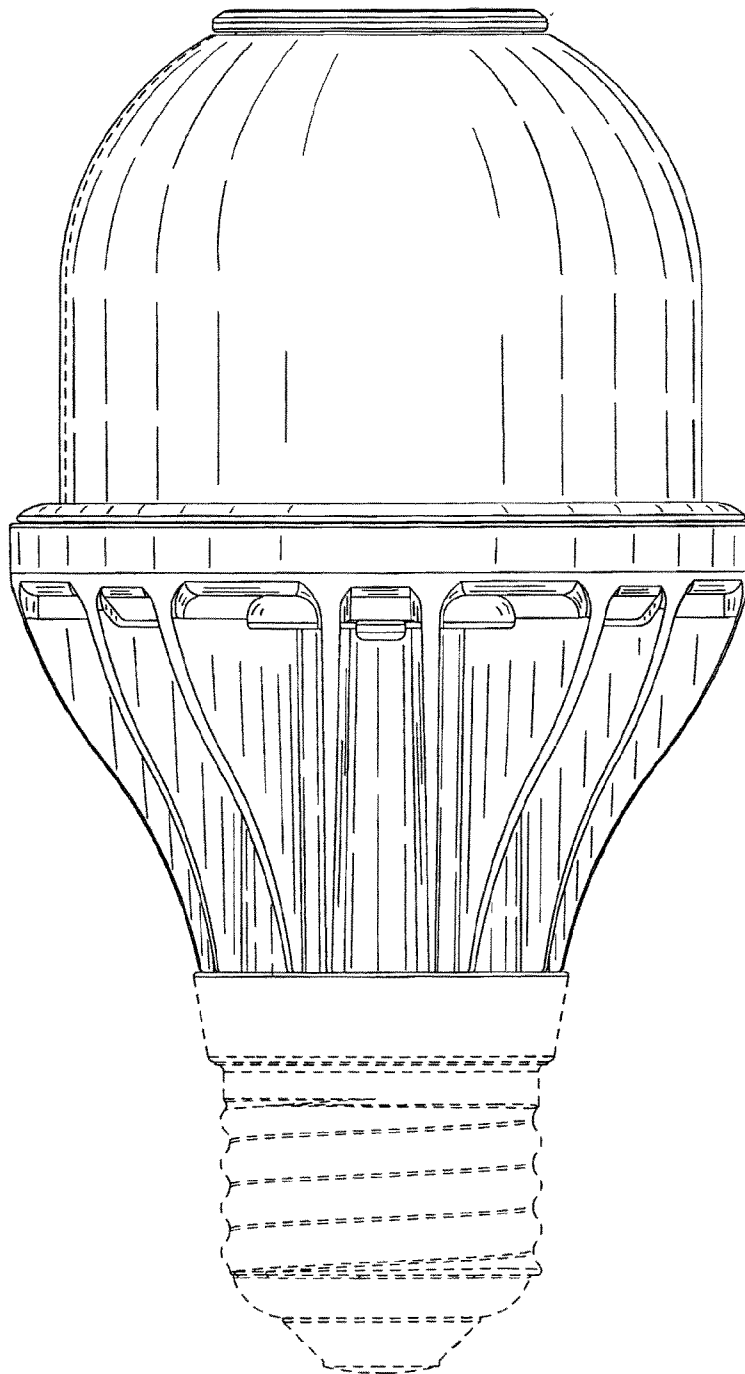


FIG. 3

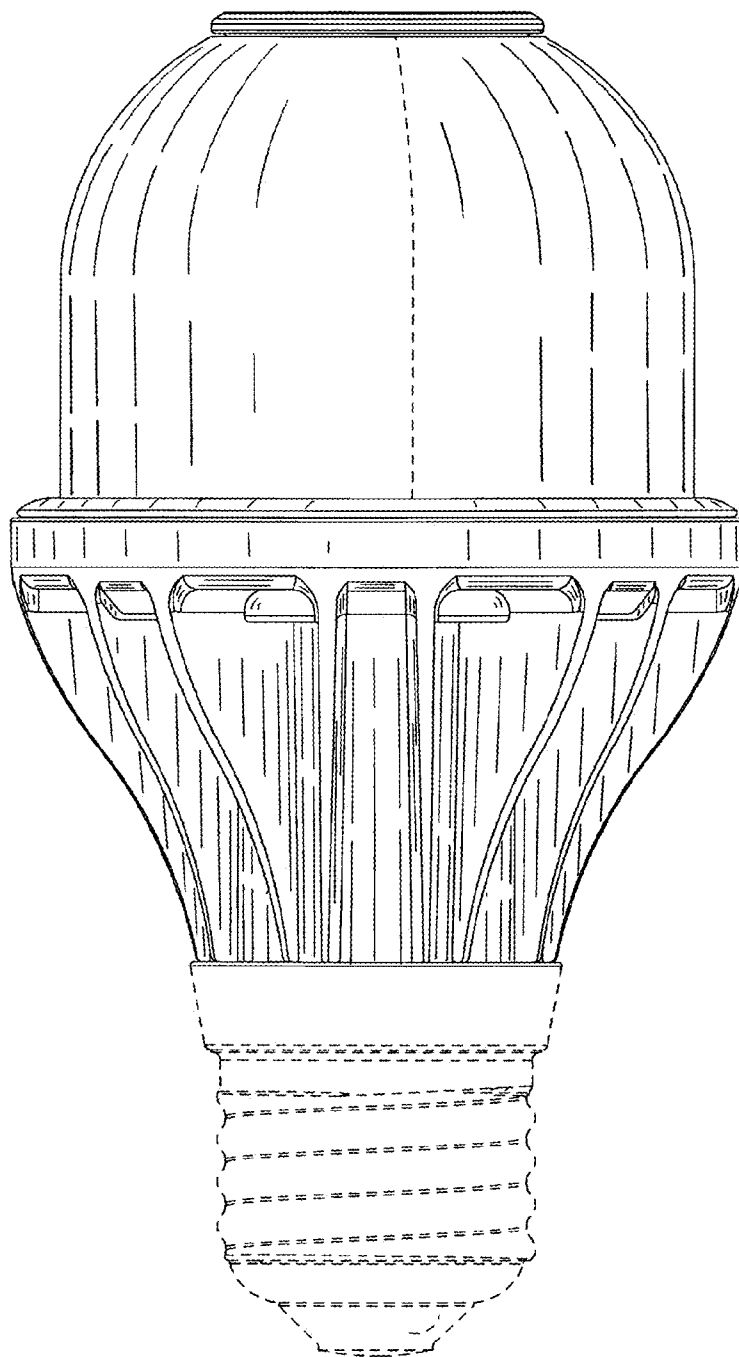


FIG. 4

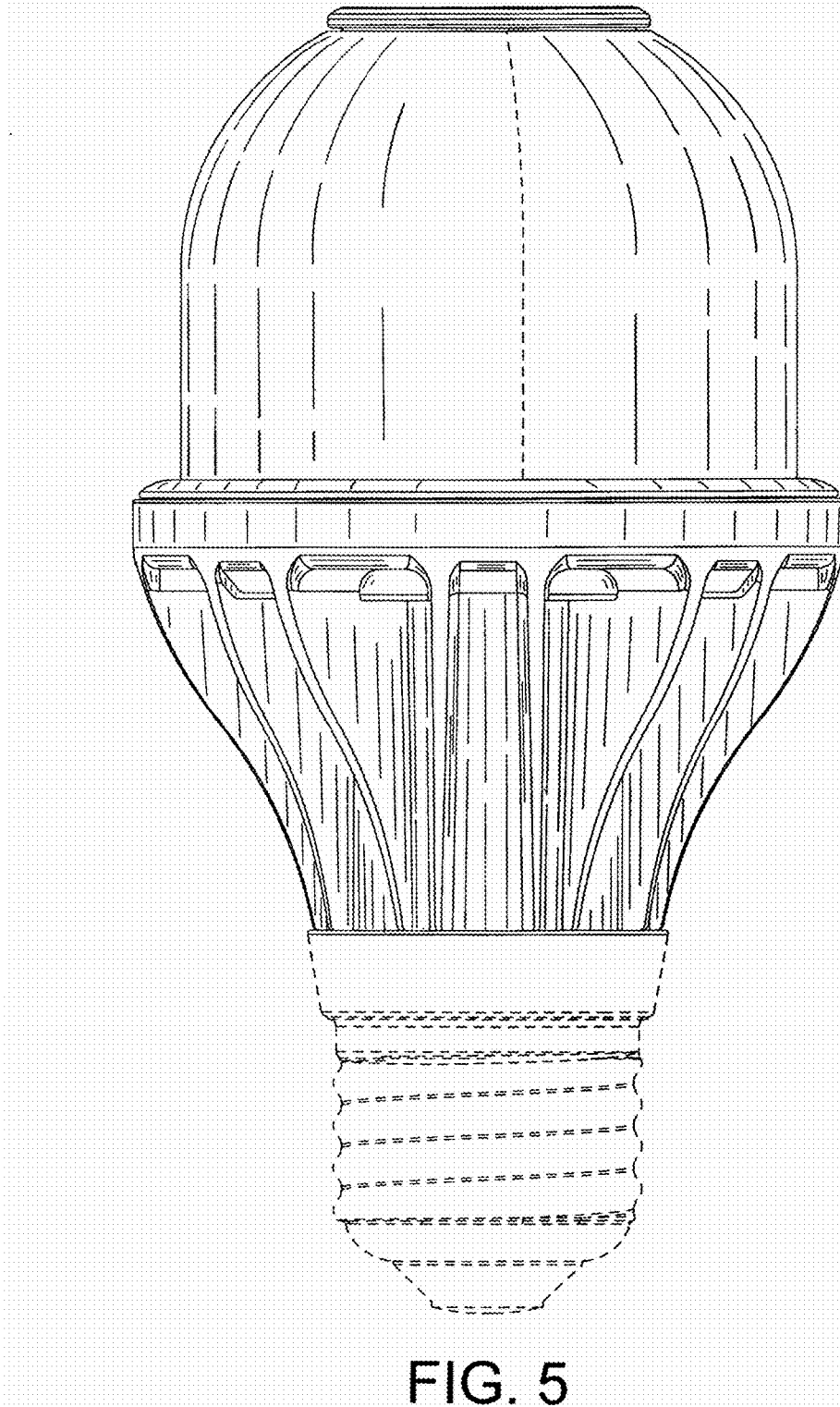


FIG. 5

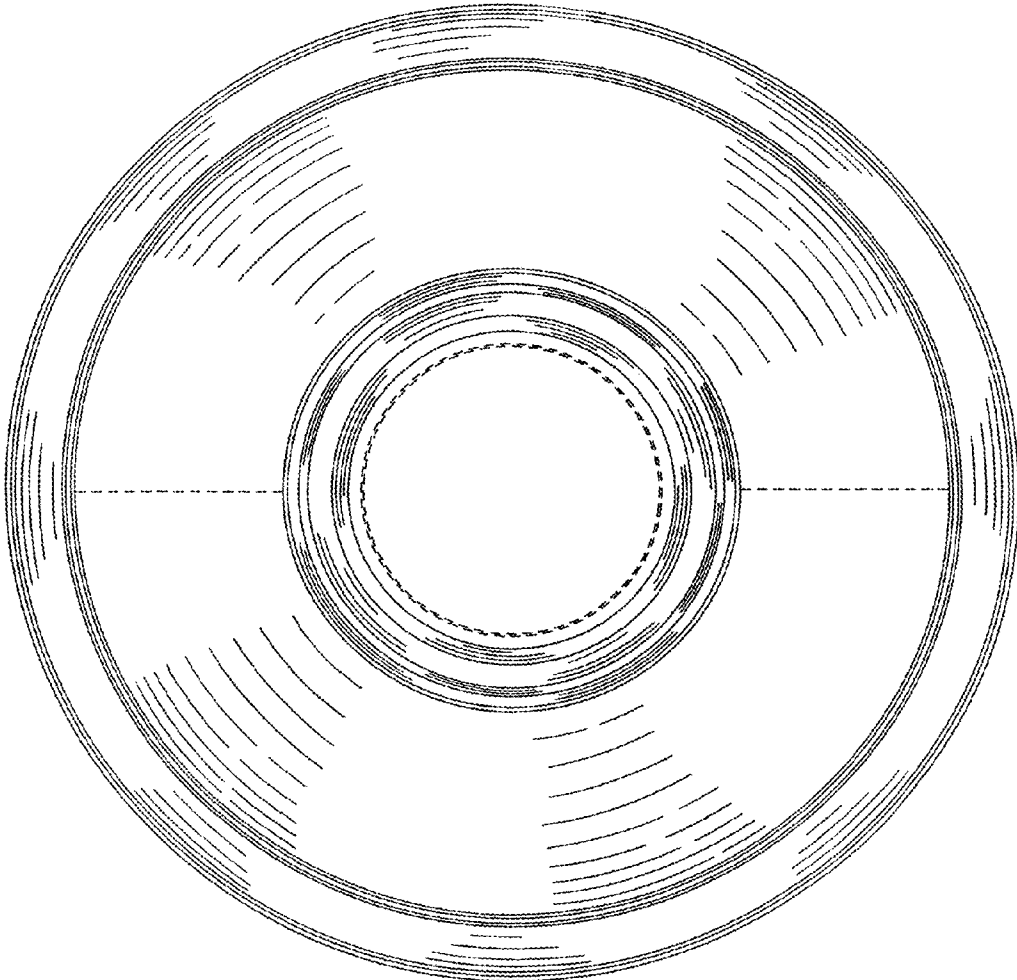


FIG. 6

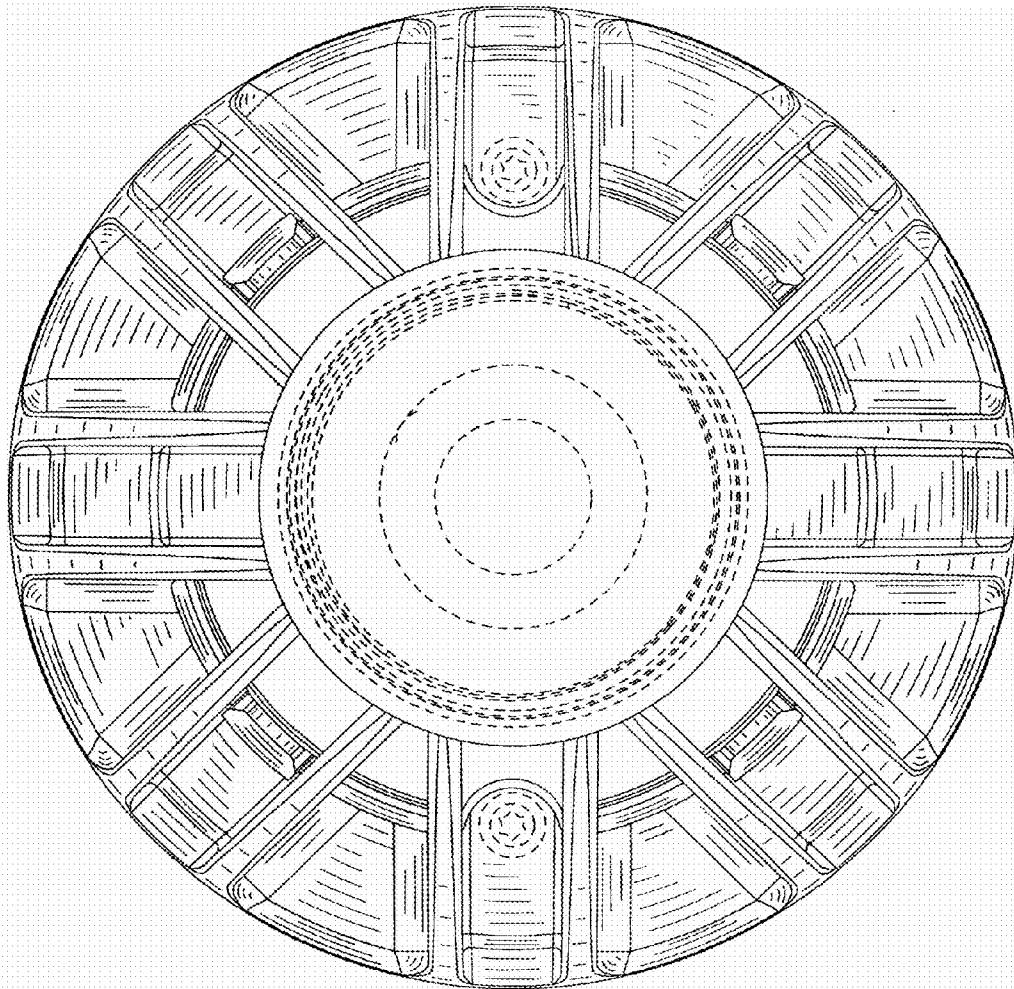


FIG. 7