



US0D1064641S

(12) **United States Design Patent**
Cook et al.

(10) **Patent No.:** **US D1,064,641 S**
(45) **Date of Patent:** **** Mar. 4, 2025**

(54) **SPROCKET FOR PET WASTE CARTRIDGE**

FOREIGN PATENT DOCUMENTS

(71) Applicant: **BRILLIANT PET 2 LLC**, Chicago, IL (US)

CA 104261 * 3/2004
CN 302331550 * 2/2013

(Continued)

(72) Inventors: **Alan Jay Cook**, Chicago, IL (US);
Kristin W. Grube, Bloomington, IN (US); **Kevin John Augustyniak**, Elma, NY (US)

OTHER PUBLICATIONS

Worm Gear Kit, posted Feb. 22, 2023 [online], [retrieved Oct. 3, 2024]. Retrieved from internet, <https://www.amazon.com/Compatible-KitchenAid-Whirlpool-Replacement-W11086780/dp/B0BWHMT3GF> (Year: 2023).*

(Continued)

(73) Assignee: **BRILLIANT PET 2 LLC**, Chicago, IL (US)

(**) Term: **15 Years**

Primary Examiner — Cynthia Ramirez

Assistant Examiner — Jeremy S. Swartz

(21) Appl. No.: **29/832,505**

(74) *Attorney, Agent, or Firm* — J. Miguel Hernandez; James R. Gourley; Carstens, Allen & Gourley, LLP

(22) Filed: **Mar. 28, 2022**

Related U.S. Application Data

(63) Continuation-in-part of application No. 16/698,559, filed on Nov. 27, 2019, which is a continuation-in-part of application No. 16/513,000, filed on Jul. 16, 2019, now Pat. No. 12,010,974, which is a continuation of application No.

(Continued)

(57) **CLAIM**

The ornamental design for a sprocket for pet waste cartridge, as shown and described.

(51) **LOC (15) Cl.** **06-06**

(52) **U.S. Cl.**
USPC **D6/518**

(58) **Field of Classification Search**
USPC D6/518, 515, 580; D7/354, 357, 677, D7/359; D30/161, 162, 199; D34/10
CPC . B32B 5/022; B32B 2250/05; B32B 2307/70; B32B 2307/75; B32B 2307/726; B32B 2307/5825; B32B 2307/7265; B32B 2432/00; B32B 3/266; B32B 27/06; B32B
(Continued)

DESCRIPTION

FIG. 1 is a front perspective view of the sprocket for pet waste cartridge;
FIG. 2 is a front view thereof;
FIG. 3 is a rear view thereof;
FIG. 4 is a right side view thereof;
FIG. 5 is a left side view thereof;
FIG. 6 is a top view thereof;
FIG. 7 is a bottom view thereof;
FIG. 8 is a sectional view taken along reference lines 8 shown in FIG. 2;
FIG. 9 is a sectional view taken along reference lines 9 shown in FIG. 4;
FIG. 10 is a top perspective view thereof; and,
FIG. 11 is a bottom perspective view.

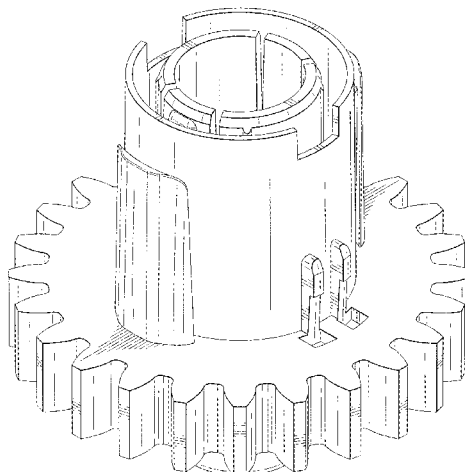
(56) **References Cited**

U.S. PATENT DOCUMENTS

344,770 A 6/1886 Currier
715,729 A 12/1902 Zimmermann

(Continued)

1 Claim, 11 Drawing Sheets



Related U.S. Application Data

16/210,938, filed on Dec. 5, 2018, now Pat. No. 11,895,981, which is a continuation of application No. 15/449,771, filed on Mar. 3, 2017, now Pat. No. 10,959,396, said application No. 16/513,000 is a continuation of application No. 15/449,771, filed on Mar. 3, 2017, now Pat. No. 10,959,396, which is a continuation-in-part of application No. 15/344,209, filed on Nov. 4, 2016, said application No. 16/210,938 is a continuation of application No. 15/344,209, filed on Nov. 4, 2016.

- (58) **Field of Classification Search**
CPC 27/08; B32B 27/10; B32B 2250/04; A01K 1/0157; A01K 1/0117
See application file for complete search history.

- (56) **References Cited**

U.S. PATENT DOCUMENTS

742,964	A	11/1903	Brownell	
1,121,905	A	12/1914	Dorricott	
1,630,058	A	5/1927	Cundey	
2,099,976	A	11/1937	Hagendorn	
2,762,580	A	9/1956	Scanlon	
4,050,414	A	9/1977	Knochel et al.	
5,564,996	A *	10/1996	Sundstrom B27B 17/14 474/164
D498,635	S *	11/2004	Allsopp D6/580
D512,256	S *	12/2005	Allsopp D6/580
D618,028	S *	6/2010	Di Stefano D6/580
D621,105	S	8/2010	Askinasi	
D694,040	S *	11/2013	Di Stefano D6/580
D749,871	S	2/2016	Page et al.	
D1,009,506	S *	1/2024	Huang D6/518
2010/0175626	A1	7/2010	Askinasi	
2014/0311415	A1	10/2014	Tanigawa et al.	
2017/0013799	A1	1/2017	Bolton	
2018/0213748	A1	8/2018	Eom	
2018/0303065	A1	10/2018	Lee	
2020/0120892	A1	4/2020	Suchkov et al.	
2021/0207690	A1 *	7/2021	Dods F16H 55/30
2022/0210998	A1 *	7/2022	Cook A01K 1/0157
2023/0035809	A1 *	2/2023	Pease F16H 55/12

FOREIGN PATENT DOCUMENTS

CN	103502778	A	1/2014
CN	109729710	A	5/2019

CN	307011303	*	12/2021
DE	4120216	A1	12/1992
JP	59133113	A	7/1984
JP	D1487589	*	1/2014
JP	D1491324	*	2/2017
JP	2021092600	A	6/2021
KR	301236347.0000	*	10/2023
KR	301271201.0000	*	8/2024
WO	2019044899	A1	3/2019

OTHER PUBLICATIONS

Injora 15g Stainless Steel, posted unknown [online], [retrieved Oct. 3, 2024]. Retrieved from internet, <https://www.amazon.com/TNJORA-Stainless-Steel-40-3-Transmission/dp/B0C1CTWH9X?th=1> (Year: 2024).*

32P Hardened Pinion Gear Set, posted unknown [online], [retrieved Oct. 3, 2024]. Retrieved from internet, <https://www.amazon.com/Hardened-Pinion-Compatible-Metric-Pitch/dp/B07ZX22F2G?th=1> (Year: 2024).*

Gear and Sprocket Replacement Kit, posted Jan. 29, 2021 [online], [retrieved Oct. 3, 2024]. Retrieved from internet, <https://www.amazon.com/Sprocket-Replacement-Liftmaster-Chamberlain-Craftsman/dp/B08SBW313J> (Year: 2021).*

48P 76T Spur Gear, posted May 5, 2024 [online], [retrieved Oct. 3, 2024]. Retrieved from internet, <https://www.amazon.com/Hardened-Transmission-Pinions-3-175mm-Stamped/dp/B0CZHY9Z9Z?th=1> (Year: 2024).*

Eco-Friendly Puppy Pad Rolls, posted unknown [online], [retrieved Oct. 3, 2024]. Retrieved from internet, <https://www.brilliantpad.com/products/brilliantpad-eco-rolls> (Year: 2024).*

“BrilliantPad Self-Cleaning Dog Potty.” Shark Tank Products (online) 5 pgs. Available Oct. 31, 2017. [Retrieved Sep. 19, 2022] <https://allsharktankproducts.com/pet-care/brilliantpad-self-cleaning-dog-potty/> (Year: 2017).

Replacement Rolls for The Self-Cleaning Dog Potty. BrilliantPad (online) 11 pgs. Available Sep. 6, 2019. [Retrieved Sep. 16, 2022]; <https://www.amazon.com/BrilliantPad-Replacement-Self-Cleaning-Improved-Absorbent/dp/B07XKDMMTKI> (Year: 2019).

Self-Cleaning, Automatic Indoor Dog Potty. BrilliantPad (online) 11 pgs. Available May 29, 2019. [Retrieved Sep. 16, 2022] <https://www.amazon.com/BrilliantPad-Automatic-Self-Cleaning-Puppies-Machine/dp/B07GRGBQHG> (Year: 2019).

* cited by examiner

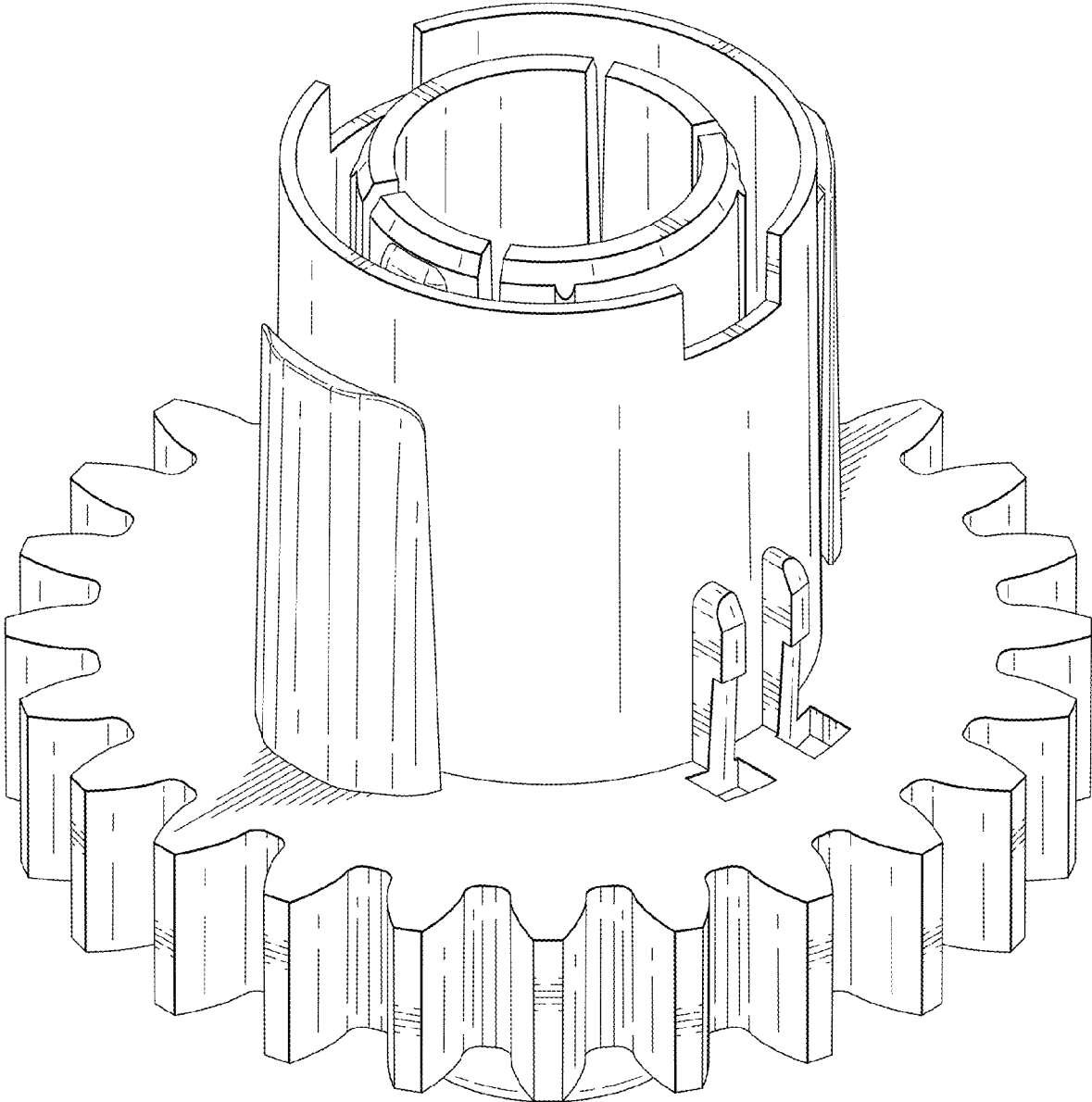


FIG. 1

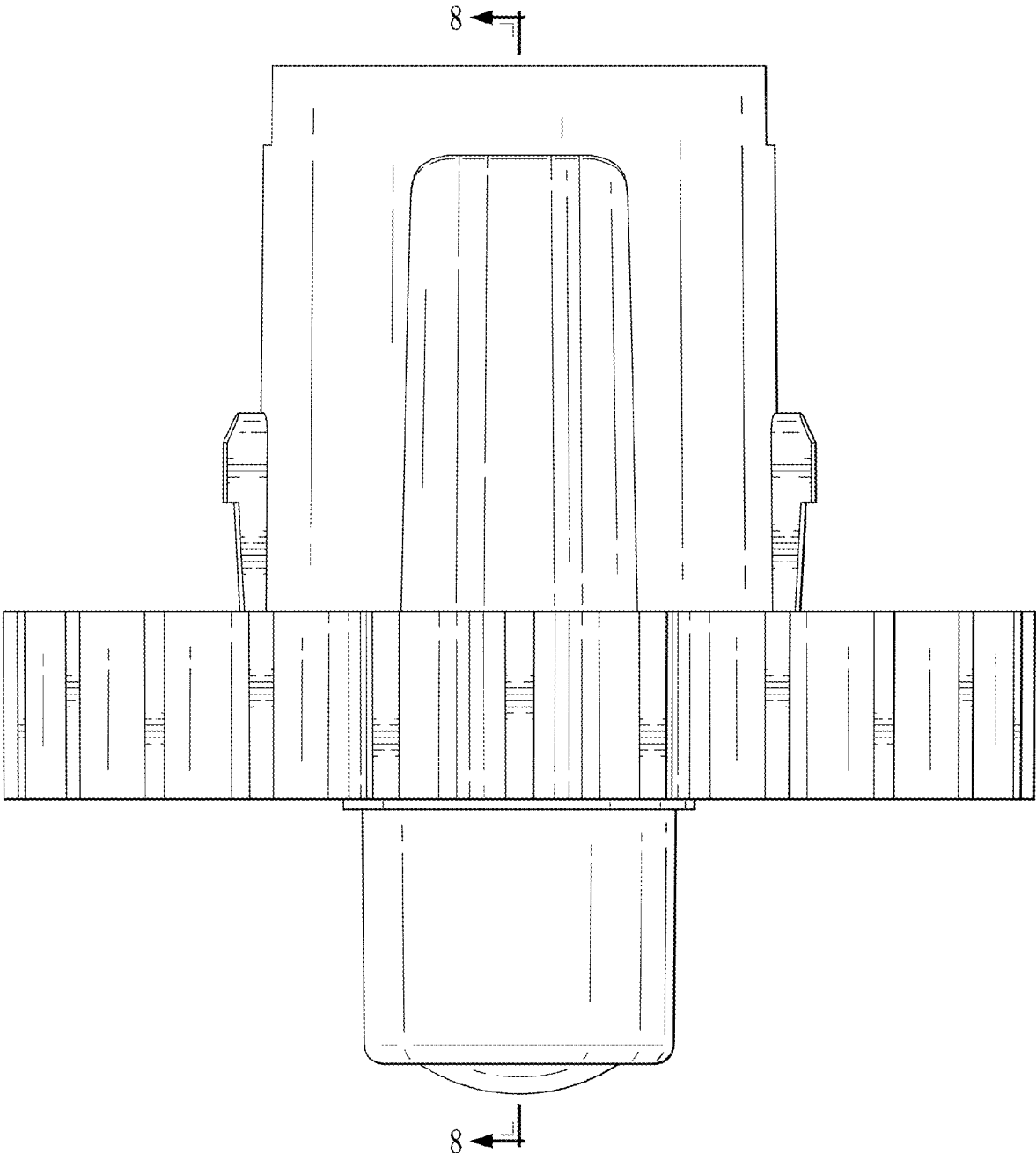


FIG. 2

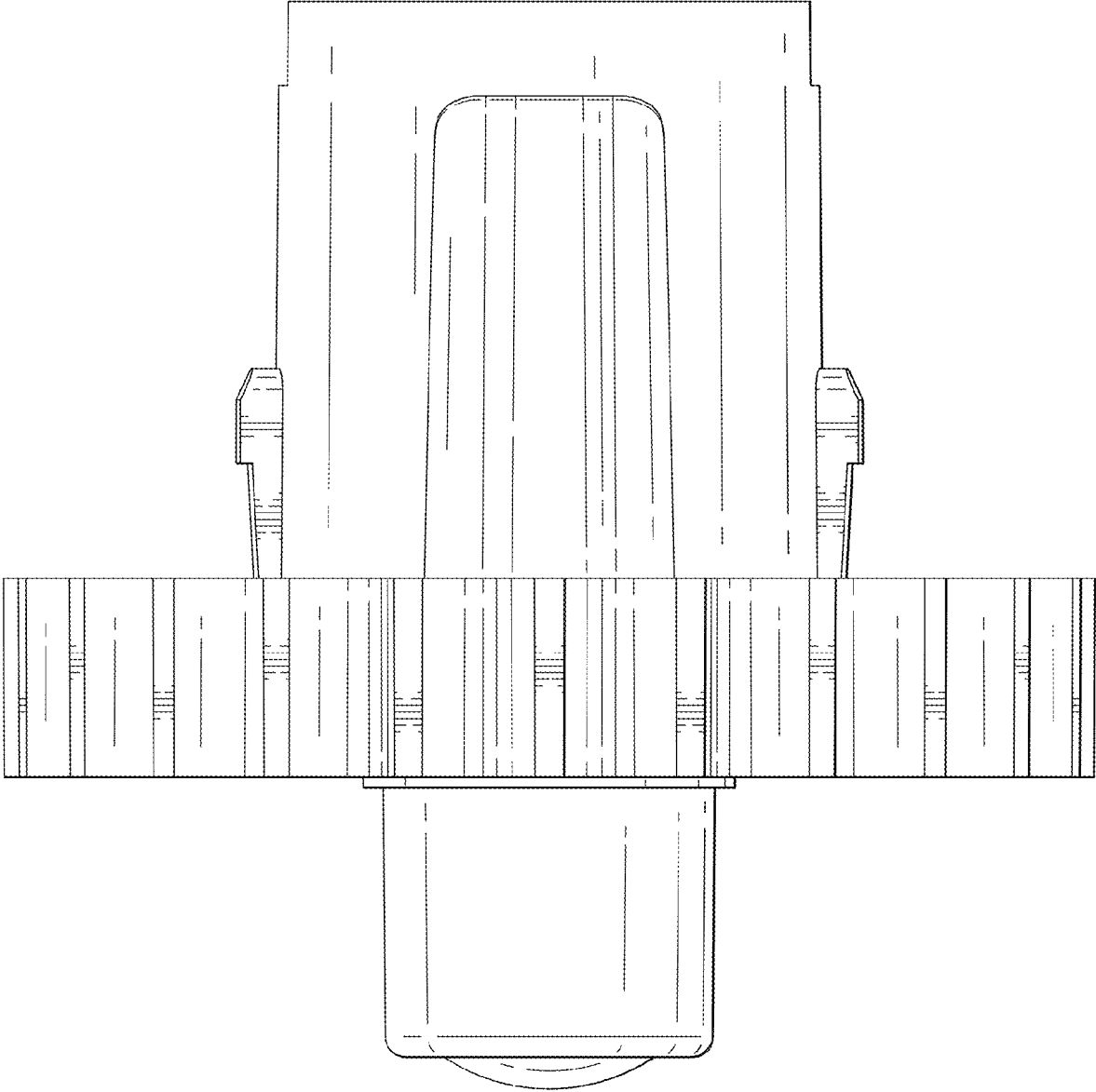


FIG. 3

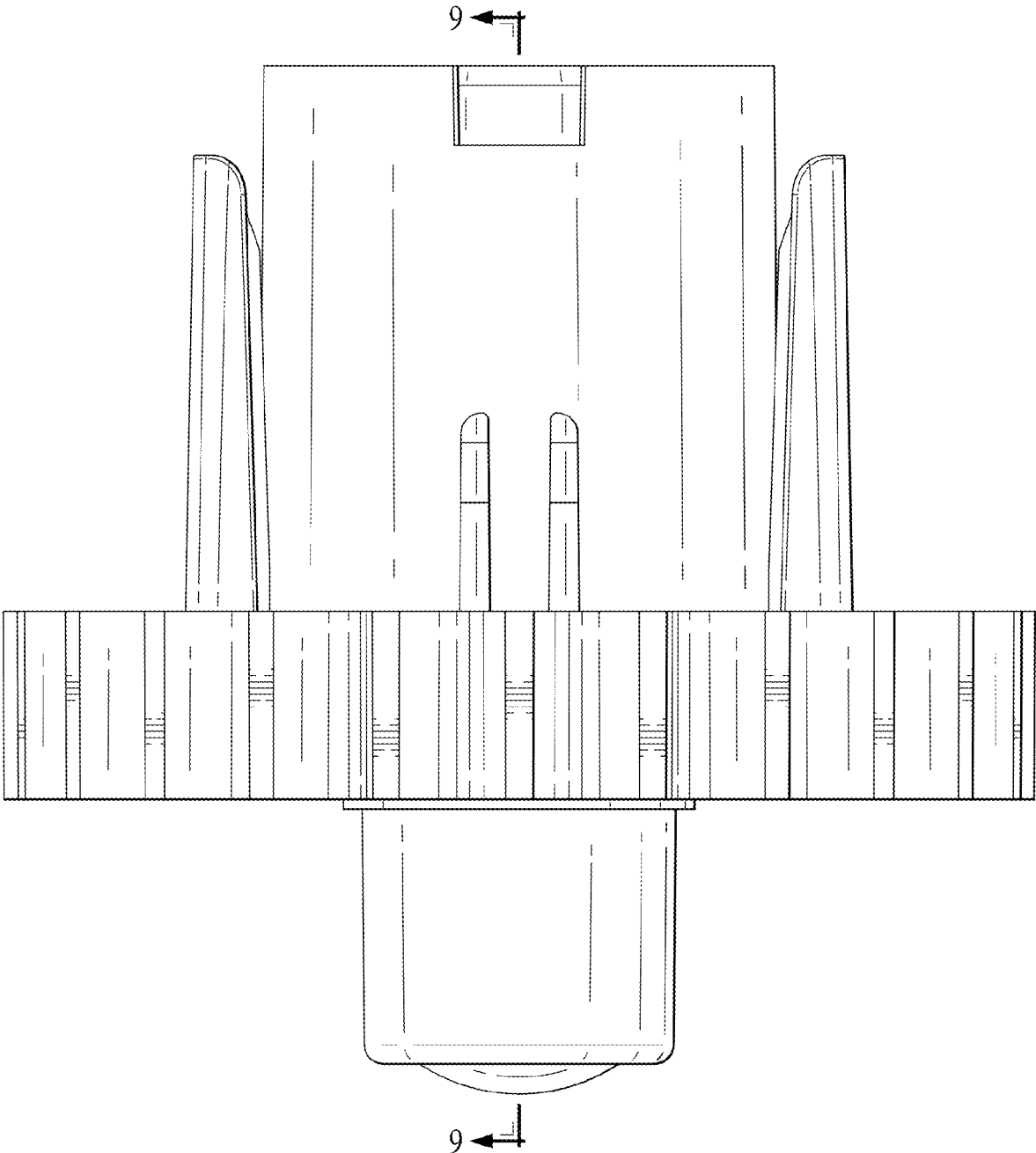


FIG. 4

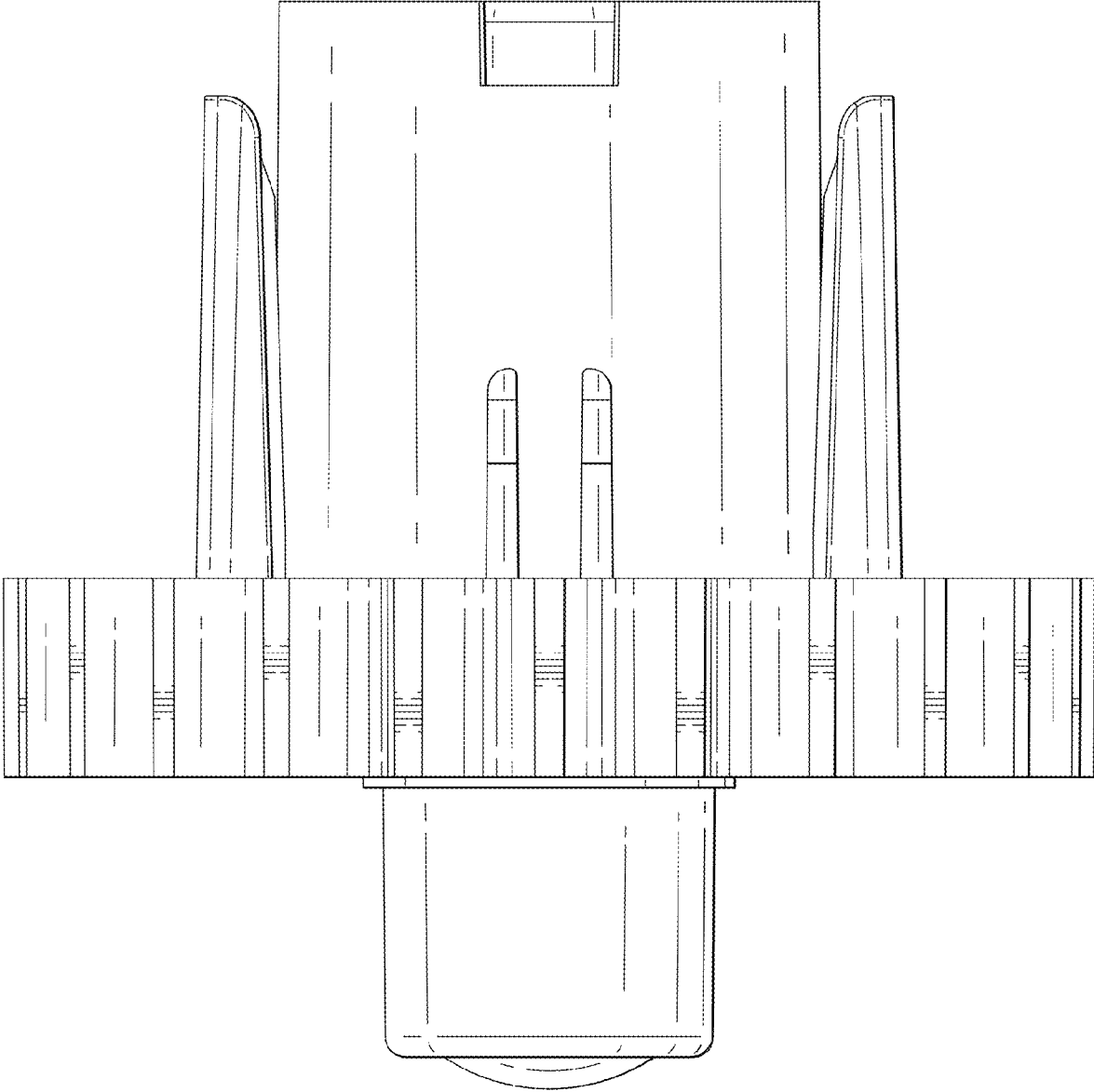


FIG. 5

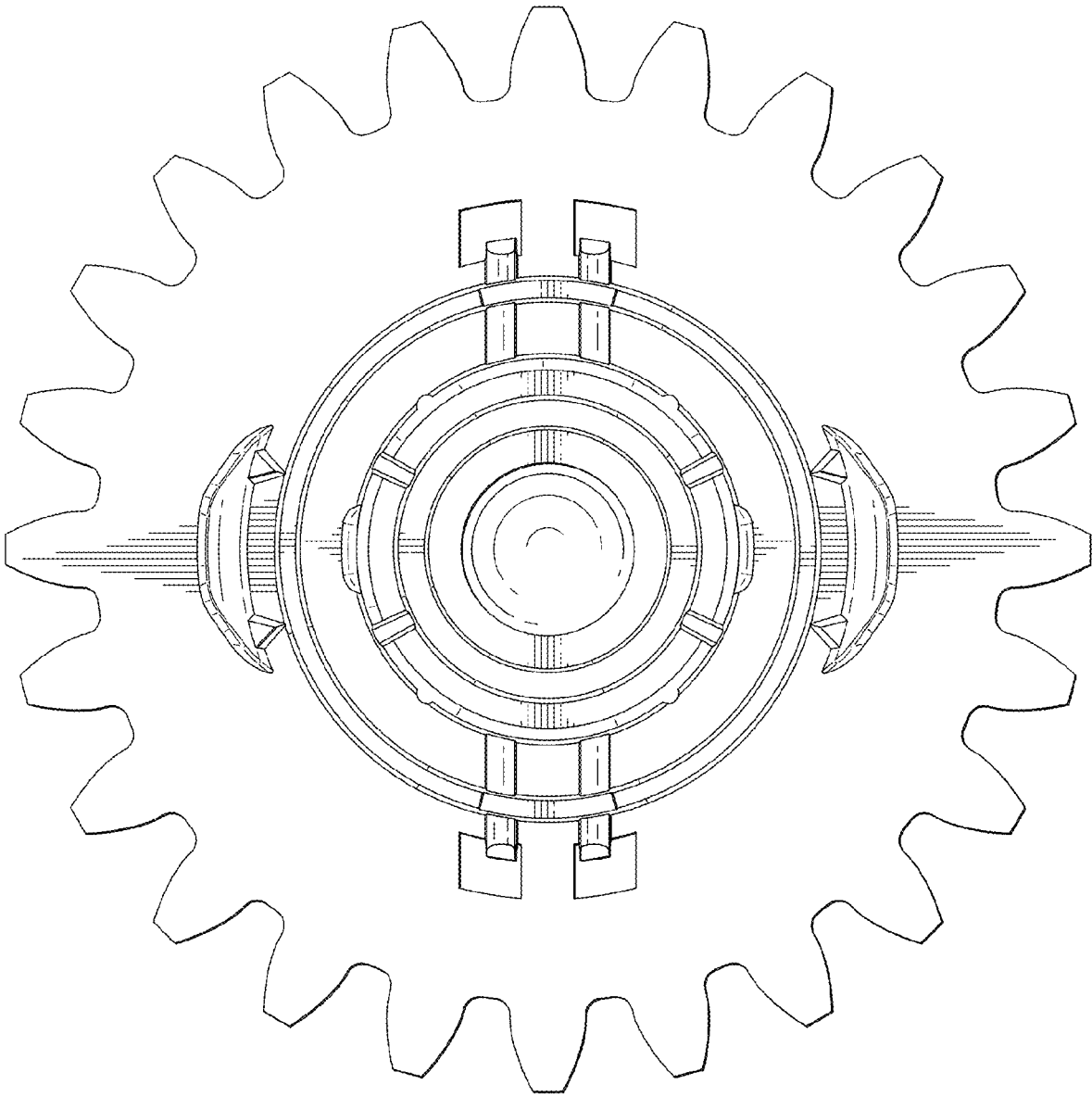


FIG. 6

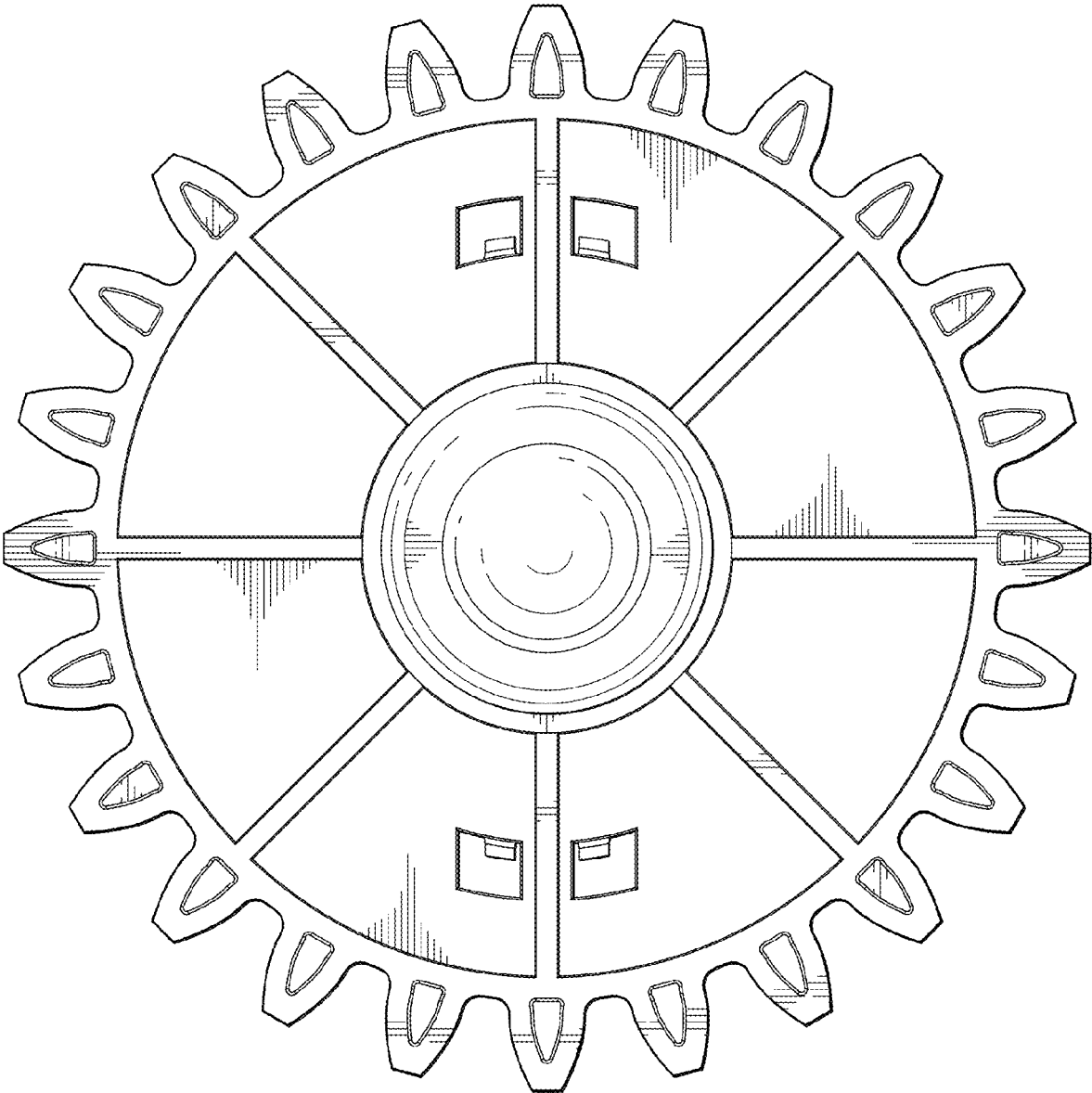


FIG. 7

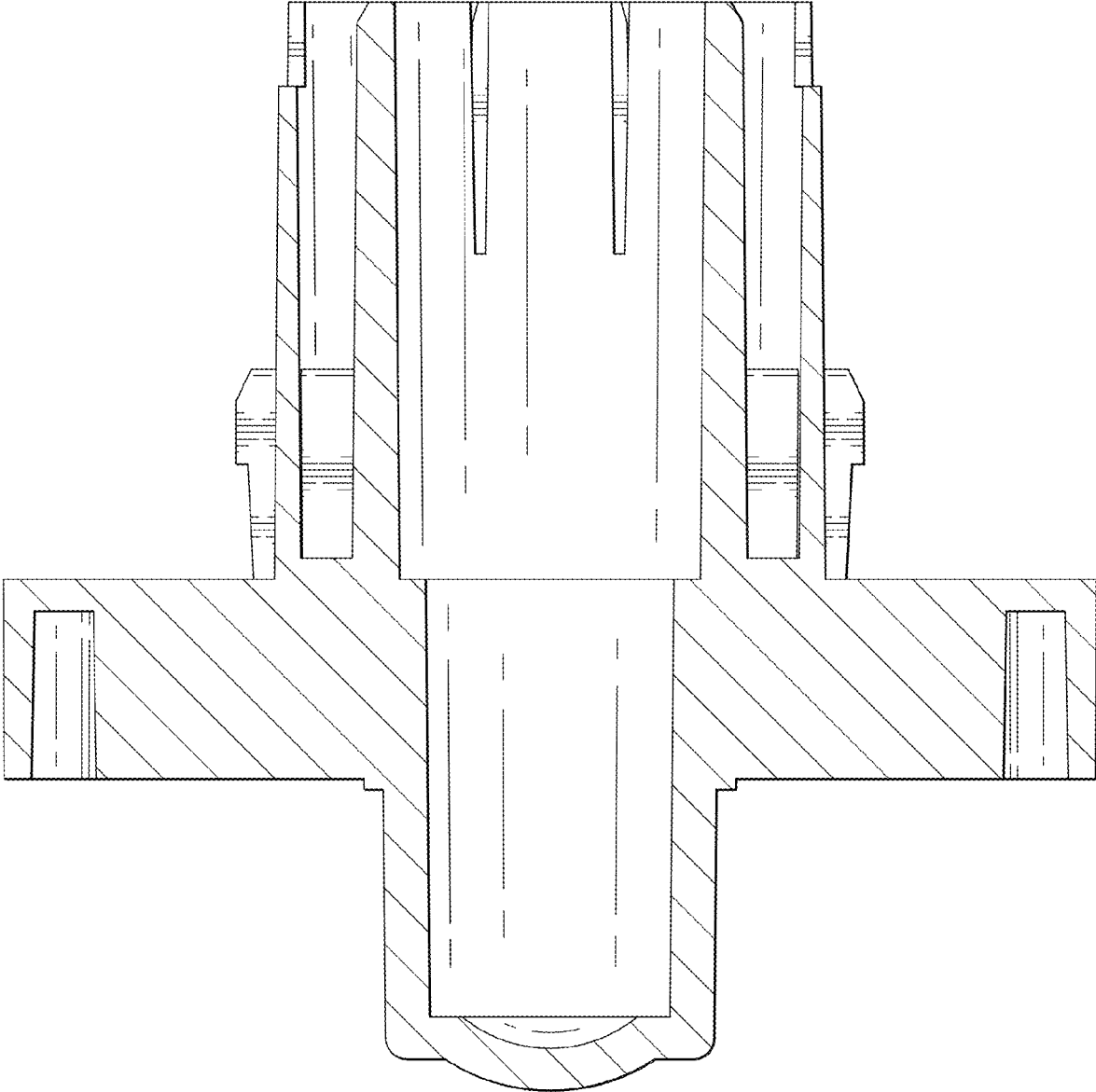


FIG. 8

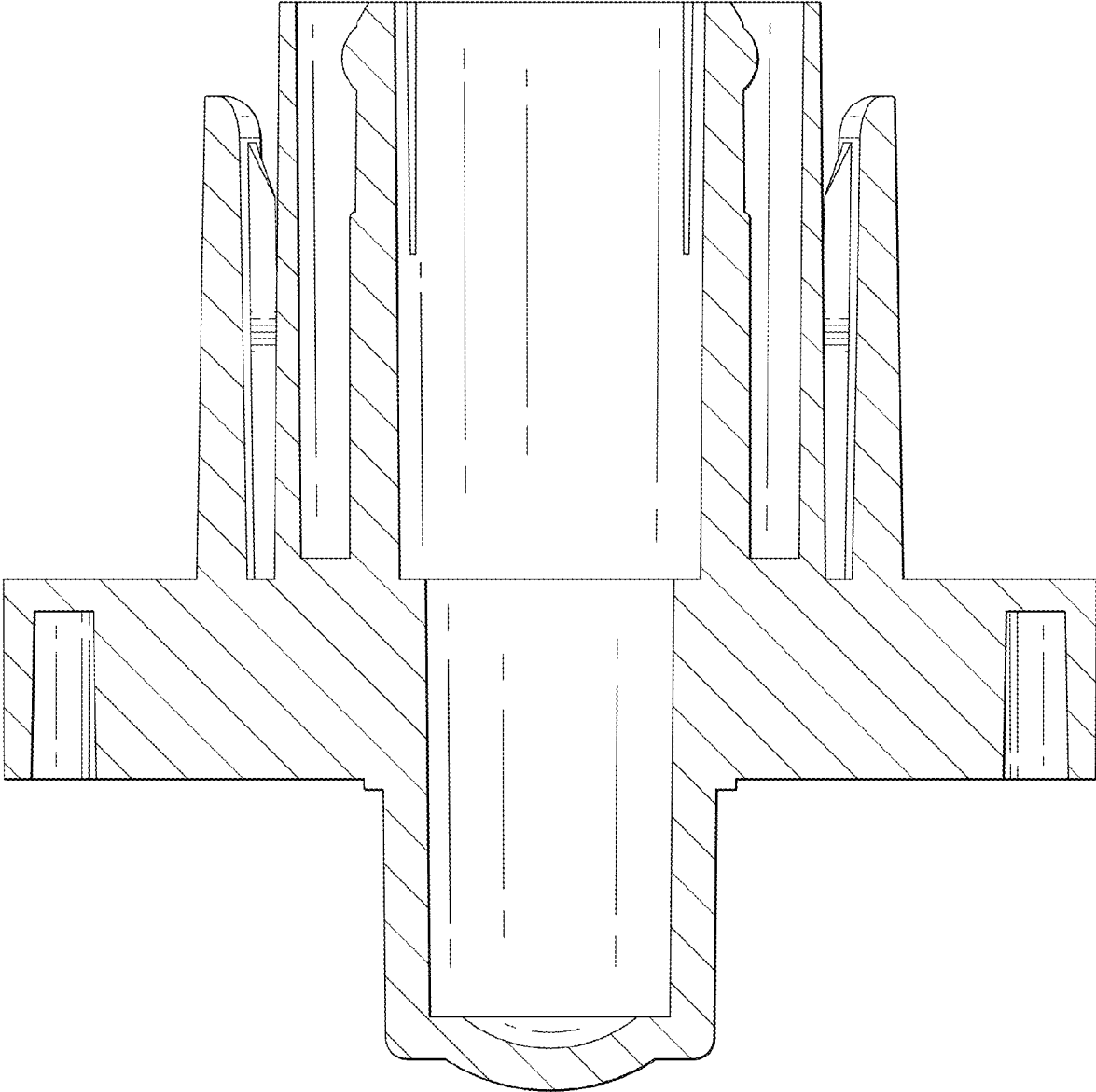


FIG. 9

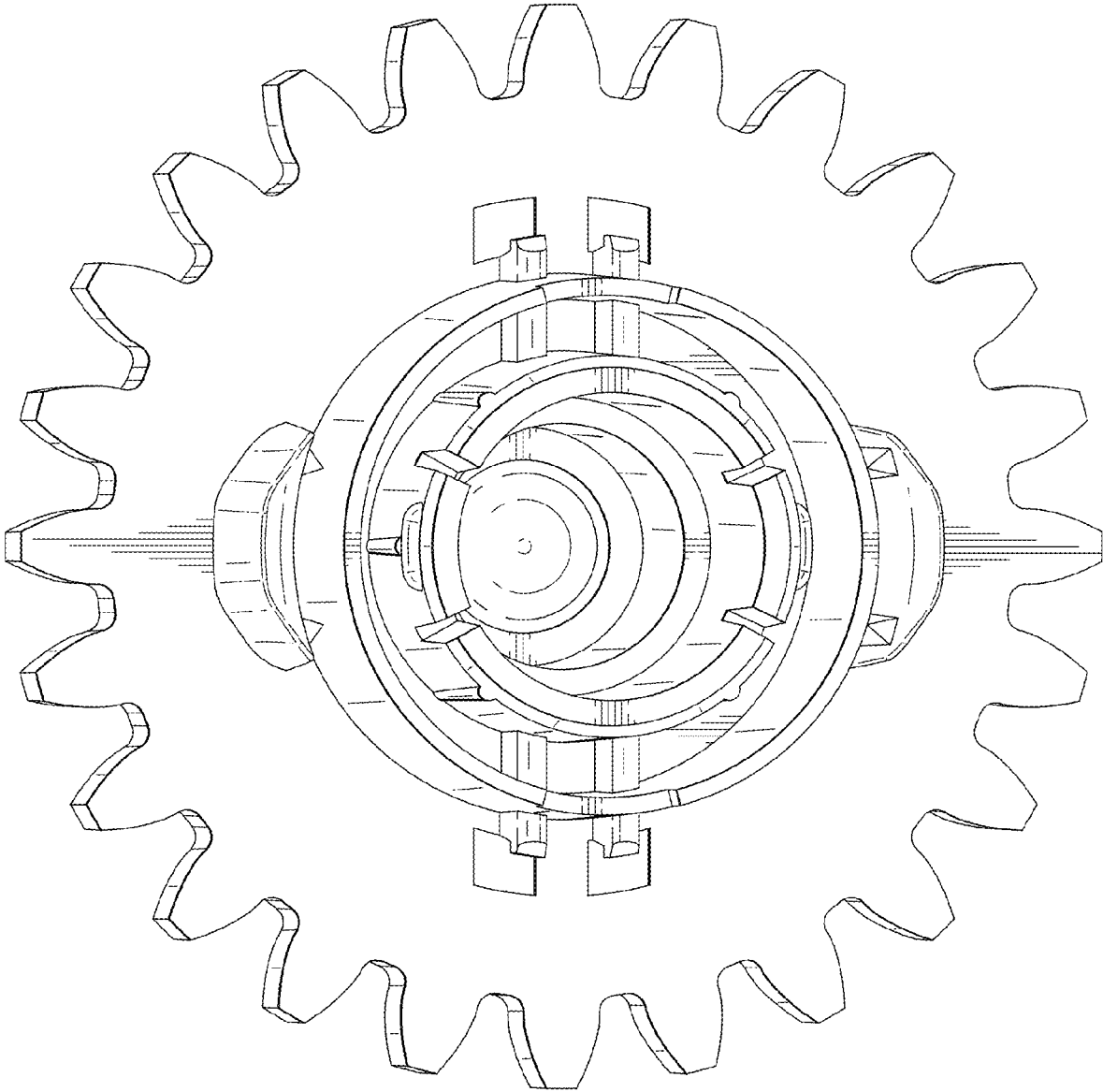


FIG. 10

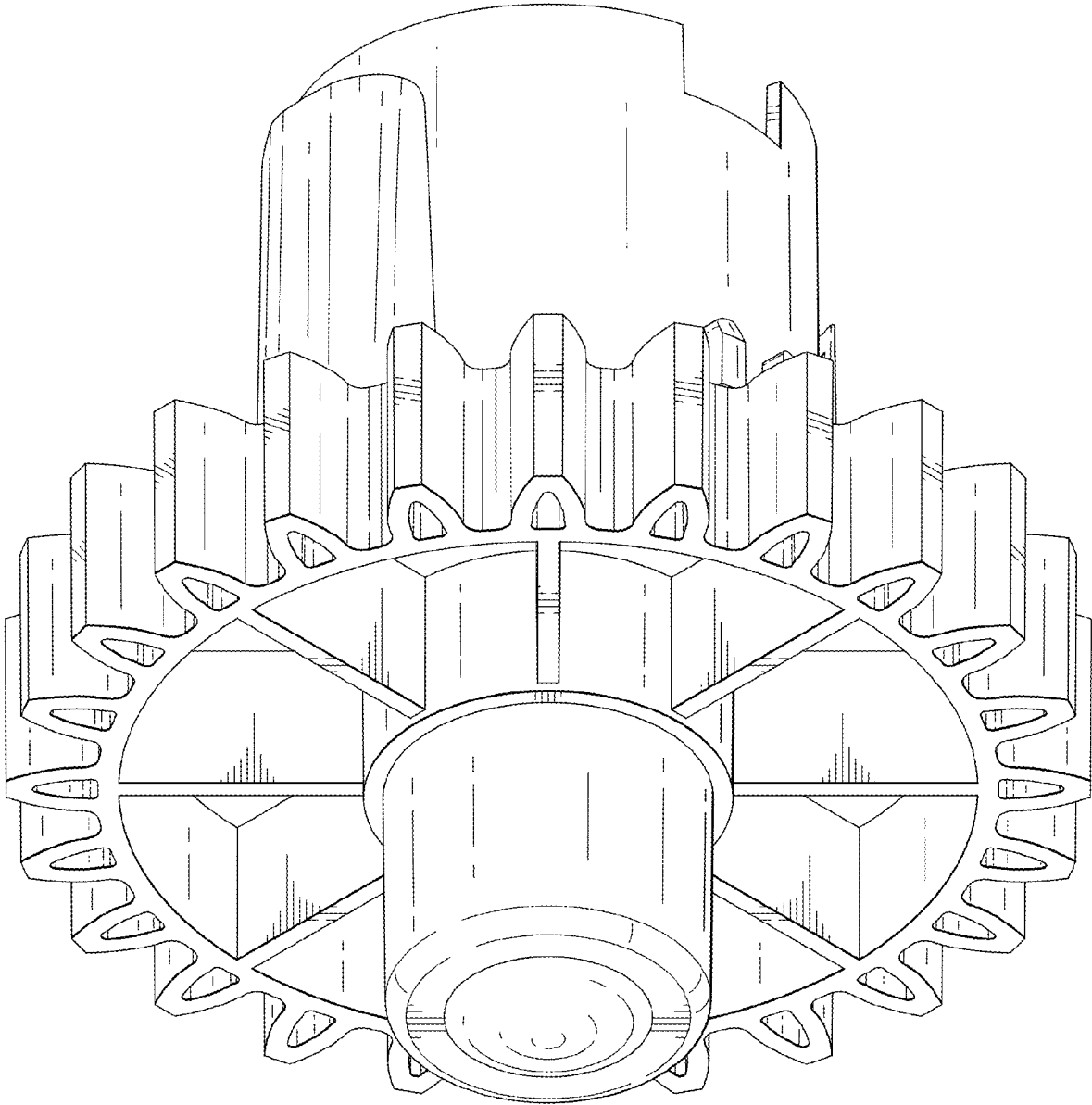


FIG. 11