



US00D804281S

(12) **United States Design Patent**
Marsden

(10) **Patent No.:** **US D804,281 S**

(45) **Date of Patent:** **** Dec. 5, 2017**

- (54) **CABINET LOCK**
- (71) Applicant: **Elbee Pty Ltd.**, Bondi Junction (AU)
- (72) Inventor: **Andrew Marsden**, Hingham, MA (US)
- (73) Assignee: **Elbee Pty Ltd.**, Bondi Junction (AU)
- (**) Term: **15 Years**
- (21) Appl. No.: **29/581,564**
- (22) Filed: **Oct. 20, 2016**

5,517,835 A * 5/1996 Smith E05B 73/0005
70/14

5,794,461 A 8/1998 Smith

5,823,027 A * 10/1998 Glick E05B 47/00
70/263

6,791,170 B1 * 9/2004 Fuku H05K 7/1417
257/678

(Continued)

Related U.S. Application Data

- (63) Continuation of application No. 29/538,227, filed on Sep. 2, 2015, now Pat. No. Des. 770,263.
- (51) **LOC (10) Cl.** **08-07**
- (52) **U.S. Cl.**
USPC **D8/339; D8/343; D8/330**
- (58) **Field of Classification Search**
USPC D8/330, 331, 336, 339, 343, 349, 350,
D8/354, 382, 400, 300, 301, 302; 70/14,
70/51, 52, 57, 57.1, 67, 69, 78, 85, 86,
70/88, 141, 262, 263, 431, 218, 221, 203;
292/32, 358, 359, DIG. 68, DIG. 30, 137,
292/106, 108, 336.3; 312/294, 333,
312/334.1, 330.1, 351.1
CPC E05B 3/00; E05B 9/00; E05B 2009/004;
E05B 47/00; E05B 55/00; E05B 15/00;
E05C 7/00; E05C 19/08
See application file for complete search history.

(56) **References Cited**

U.S. PATENT DOCUMENTS

4,715,629 A 12/1987 Robinson

5,088,158 A * 2/1992 Burkholder E05B 75/00
128/879

5,099,662 A 3/1992 Tsai

D344,441 S * 2/1994 Mahaney D8/333

5,332,251 A 7/1994 Farquhar

OTHER PUBLICATIONS

U.S. Appl. No. 29/583,161, filed Nov. 2, 2016, Marsden.

Primary Examiner — Prabhakar Deshmukh
(74) *Attorney, Agent, or Firm* — Wolf, Greenfield & Sacks, P.C.

(57) **CLAIM**

The ornamental design for a cabinet lock, as shown and described.

DESCRIPTION

FIG. 1 is a perspective view of a universal cabinet lock showing my new design;

FIG. 2 is an exploded perspective view of FIG. 1;

FIG. 3 is another perspective view thereof;

FIG. 4 is an exploded perspective view of FIG. 3;

FIG. 5 is a top plan view thereof;

FIG. 6 is an exploded top side view of FIG. 5;

FIG. 7 is a bottom plan view thereof;

FIG. 8 is an exploded bottom plan view of FIG. 7;

FIG. 9 is a right side elevation view thereof;

FIG. 10 is an exploded right side elevation view of FIG. 9;

FIG. 11 is a left side elevation view thereof;

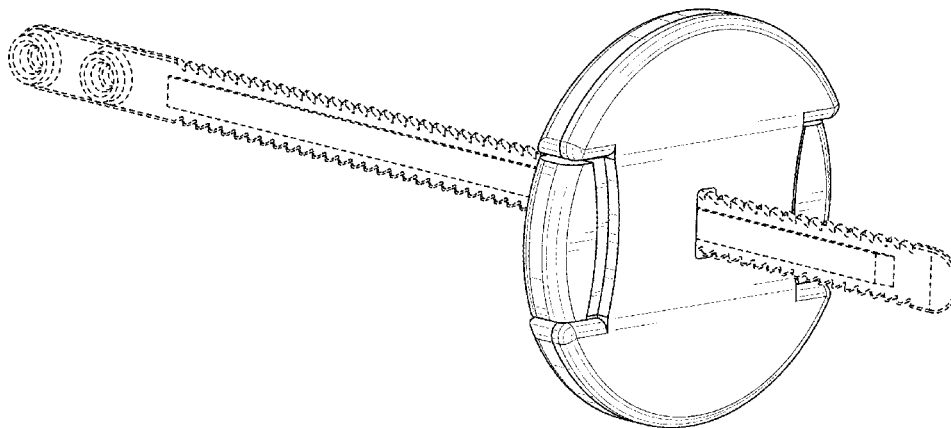
FIG. 12 is an exploded left side elevation view of FIG. 11;

FIG. 13 is a front elevation view thereof; and,

FIG. 14 is a rear elevation view thereof.

The broken lines illustrate portions of the lock that form no part of the claimed design.

1 Claim, 14 Drawing Sheets



(56)

References Cited

U.S. PATENT DOCUMENTS

6,935,146	B1	8/2005	Lin	
7,500,701	B2 *	3/2009	Lalancette F16B 5/0275 292/256
7,784,313	B2	8/2010	Wyers	
7,961,099	B2	6/2011	Rendon	
7,980,201	B2 *	7/2011	Muelken A01K 27/001 119/792
D686,054	S	7/2013	Rohde	
D715,131	S	10/2014	Song	
D720,203	S	12/2014	Plato	
D725,458	S	3/2015	Plato	
D766,068	S *	9/2016	Marsden D8/331
D785,440	S *	5/2017	Marsden D8/331

* cited by examiner

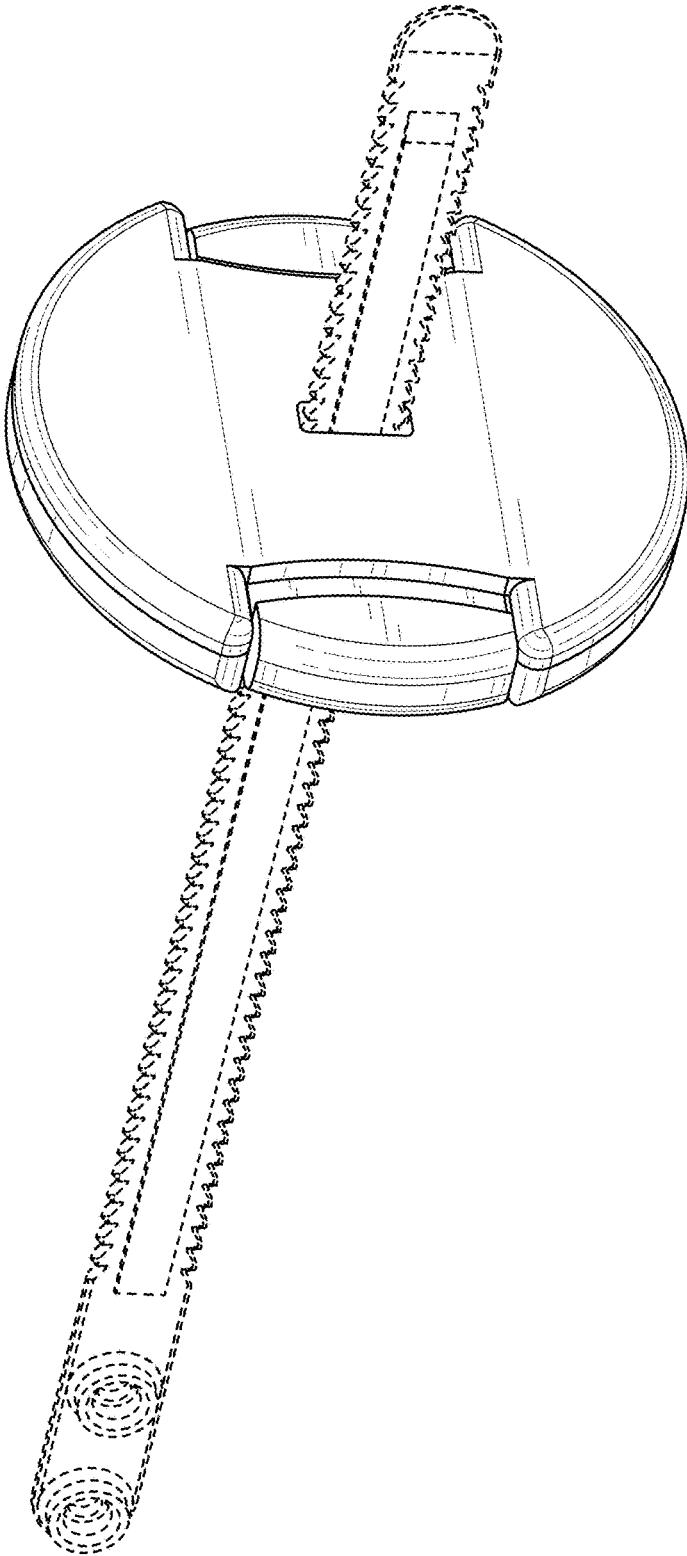


FIG. 1

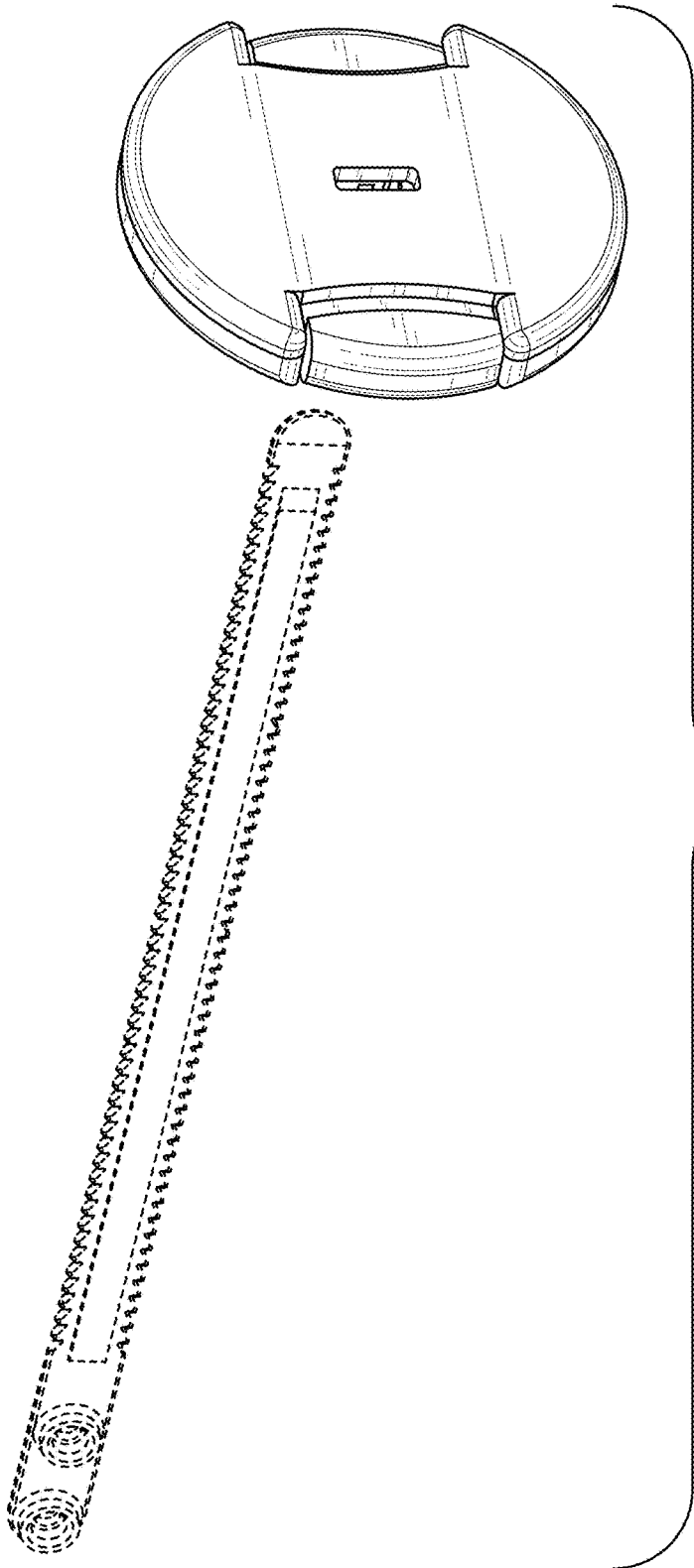


FIG. 2

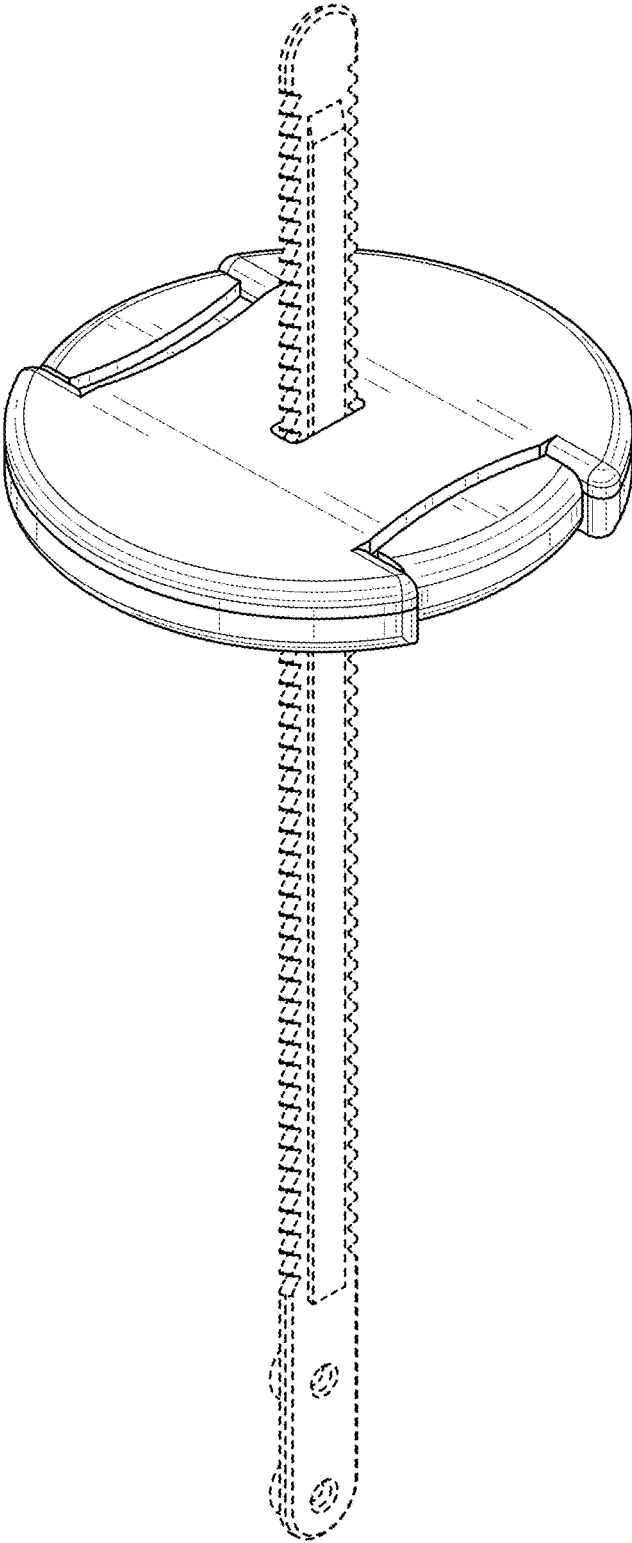


FIG. 3

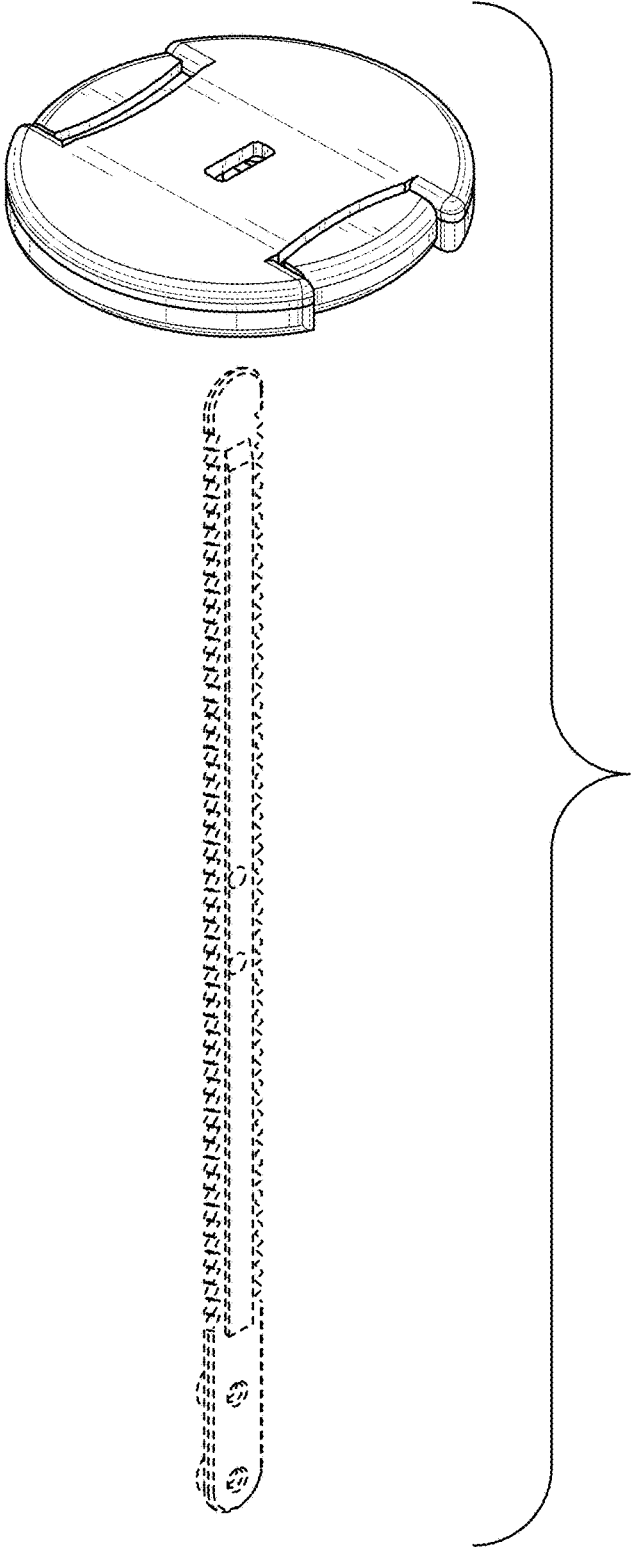


FIG. 4

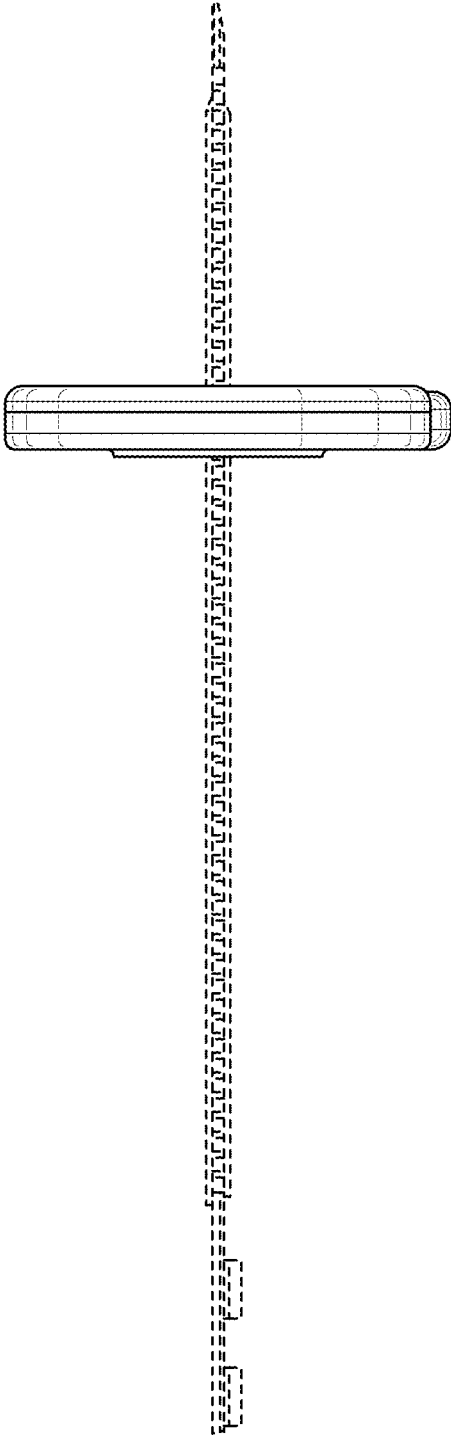


FIG. 5

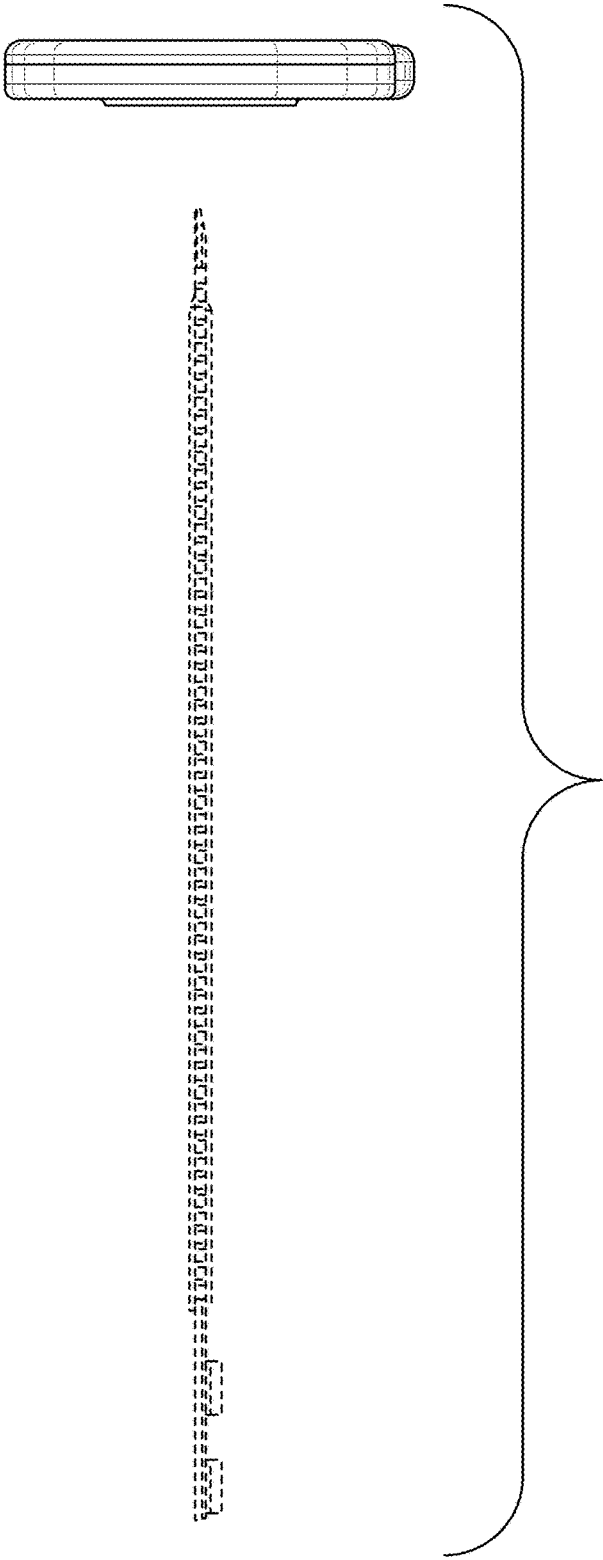


FIG. 6

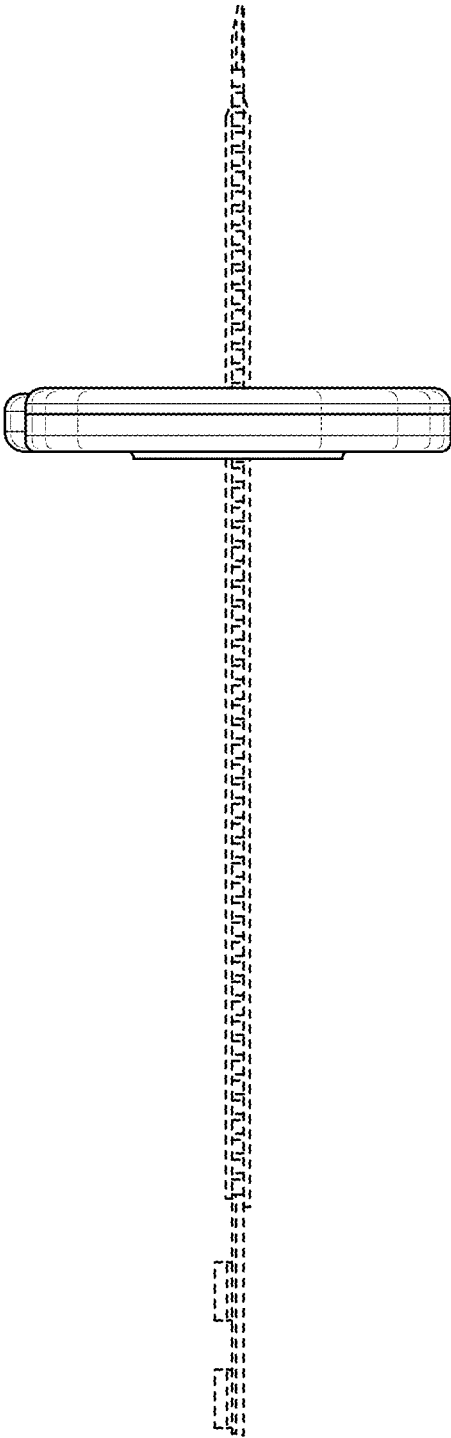


FIG. 7

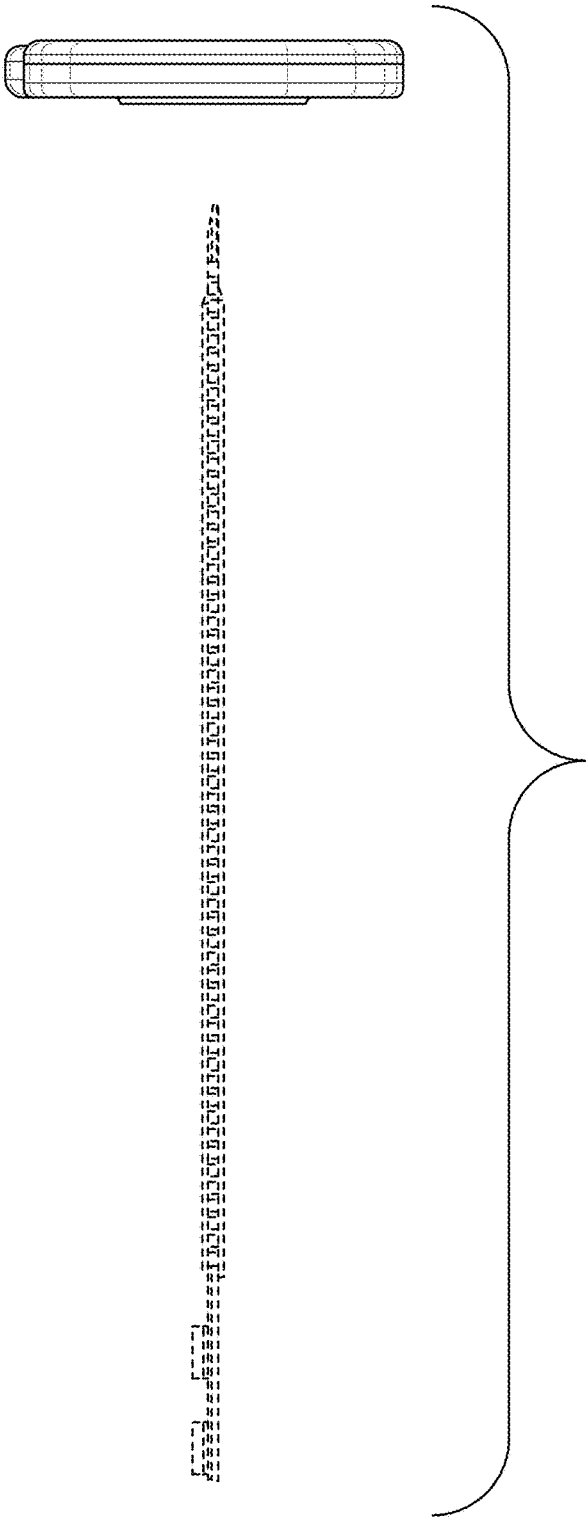


FIG. 8

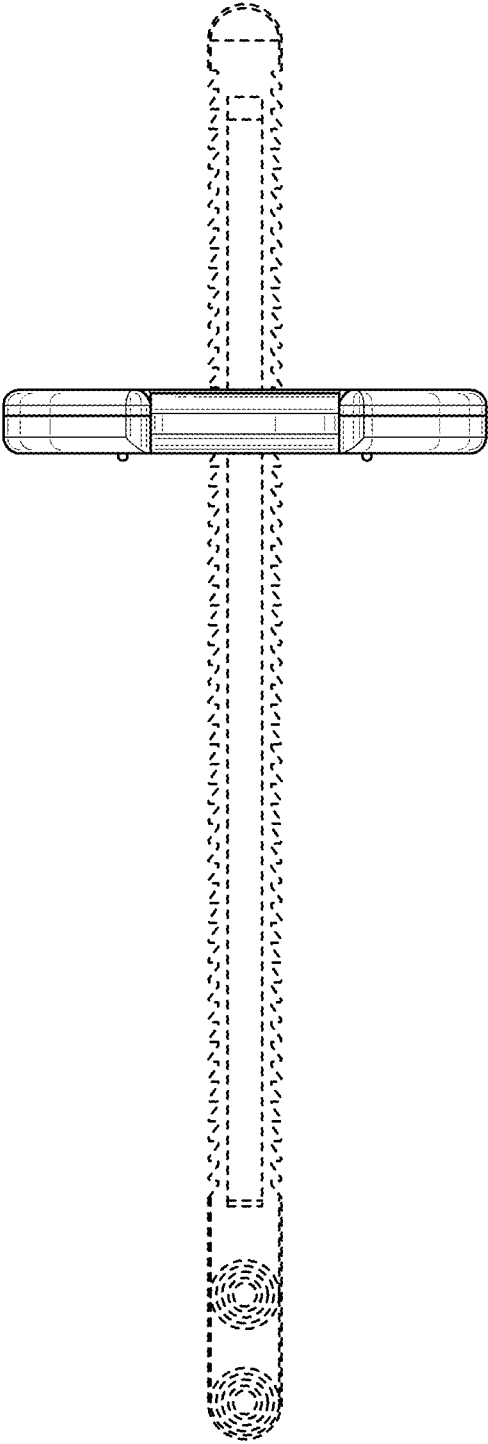


FIG. 9

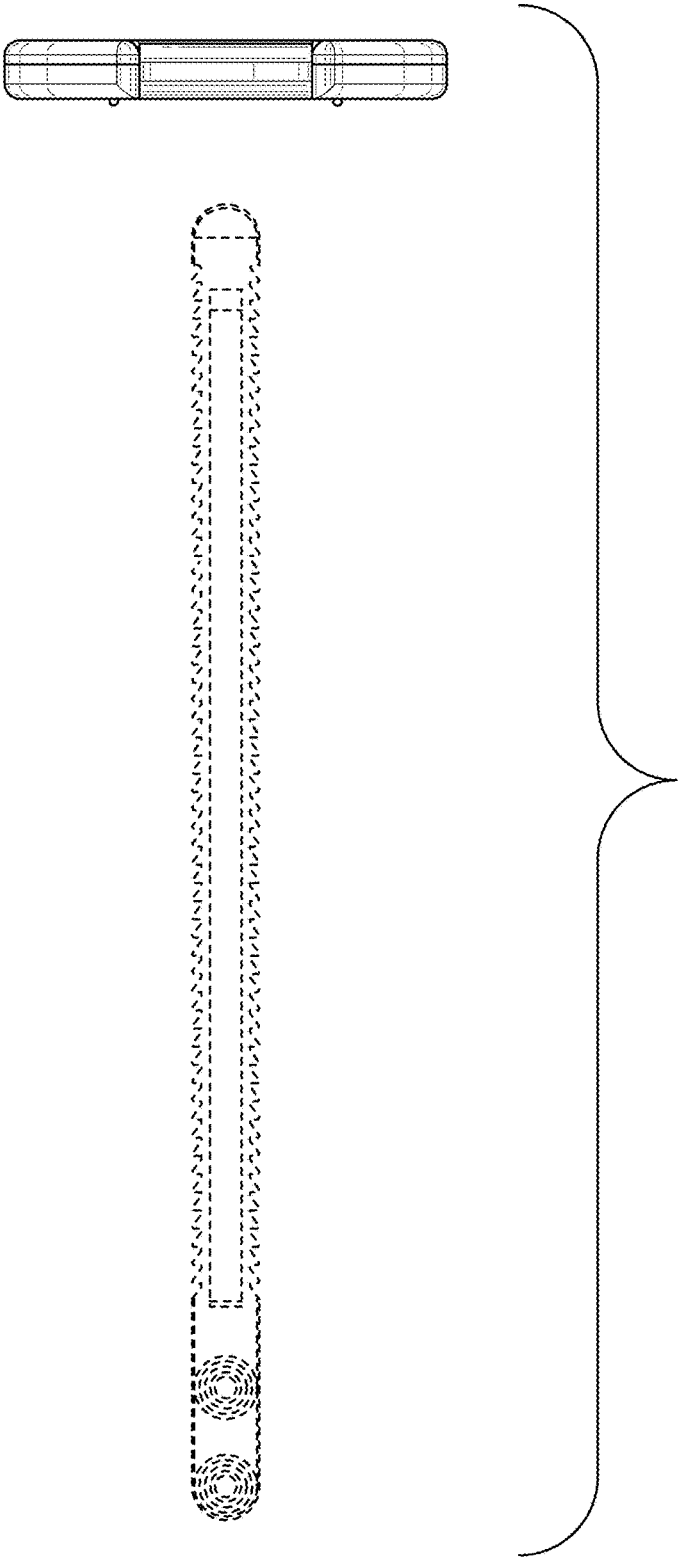


FIG. 10

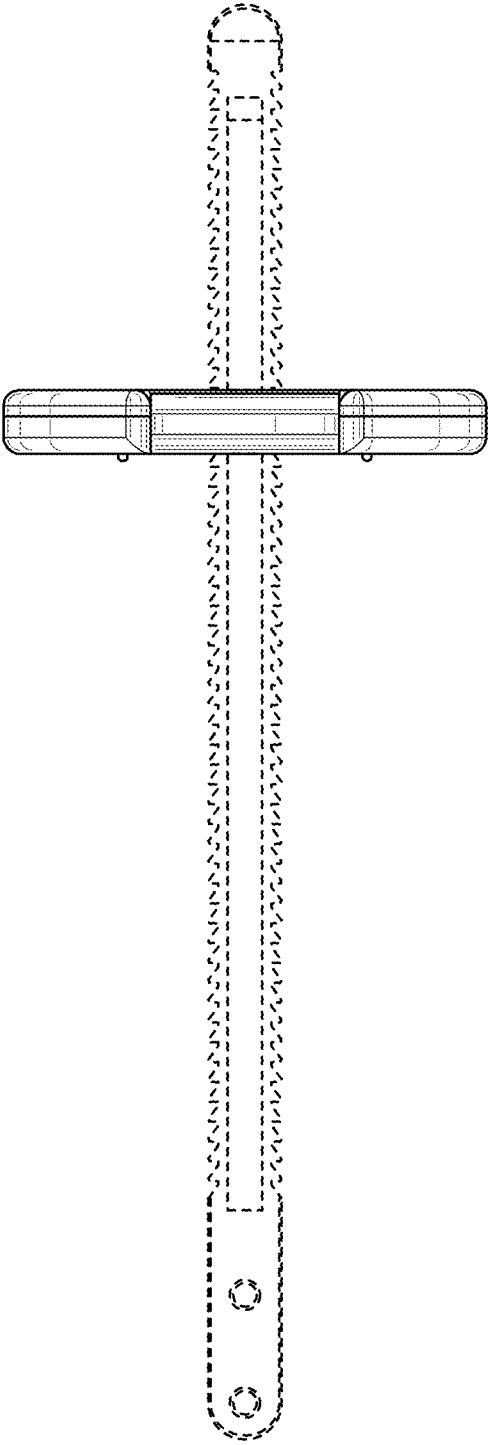


FIG. 11

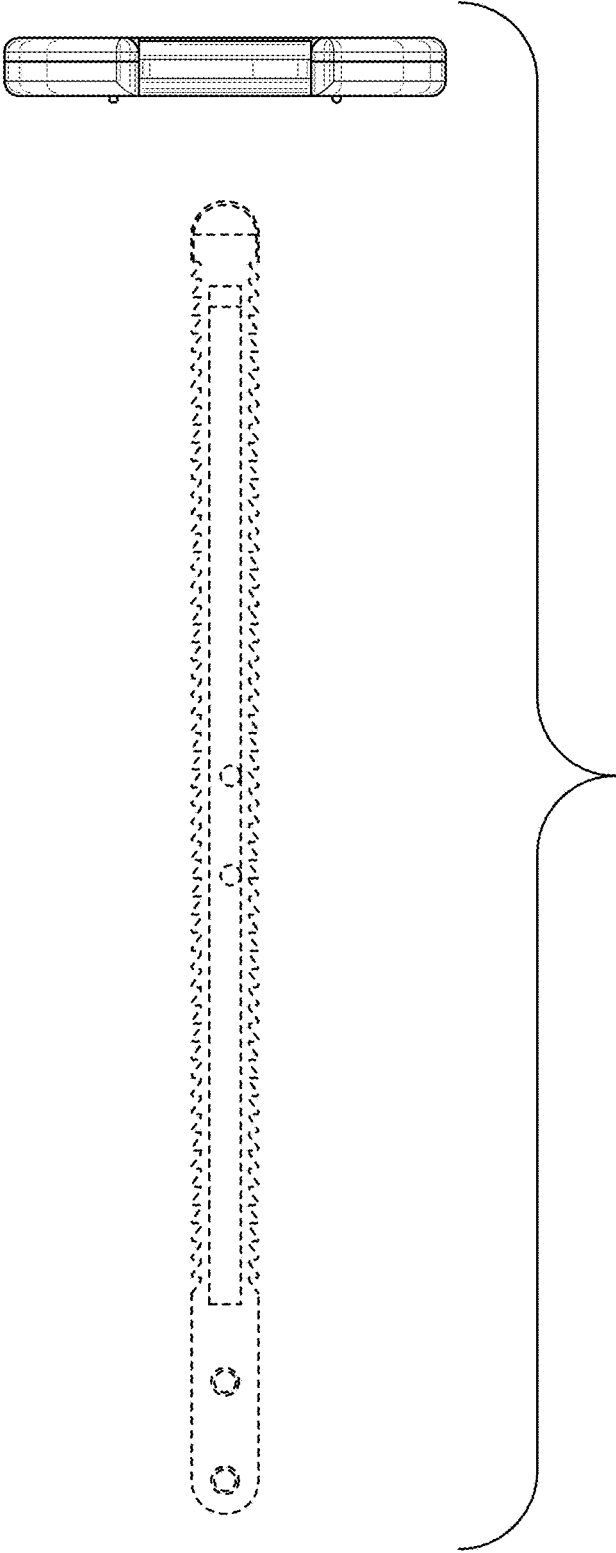


FIG. 12

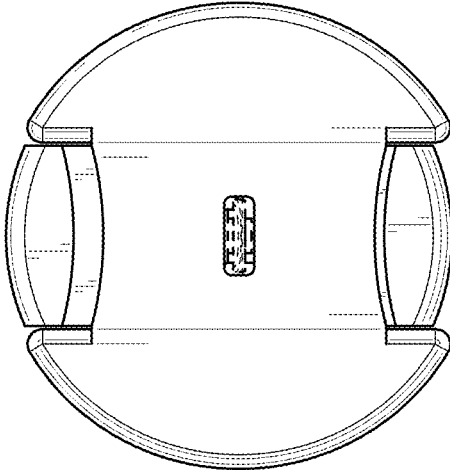


FIG. 13

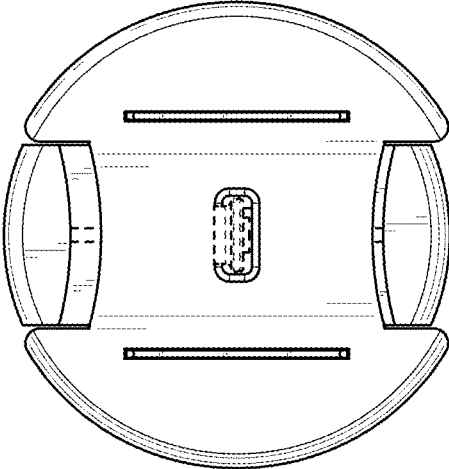


FIG. 14