



US00D359573S

United States Patent [19]

[11] Patent Number: Des. 359,573

Citronowicz

[45] Date of Patent: ** Jun. 20, 1995

[54] FLEXIBLE LIGHT

[75] Inventor: Moshe Citronowicz, St. Petersburg, Fla.

[73] Assignee: Aaron Medical Industries, Inc., St. Petersburg, Fla.

[**] Term: 14 Years

[21] Appl. No.: 24,024

[22] Filed: Jun. 6, 1994

[52] U.S. Cl. D26/43

[58] Field of Search D26/37-50;
362/109, 136, 156-158, 163, 171-173, 178,
181-183, 188-189, 192, 194, 196-197, 200-206,
257, 261-262

D. 240,322 6/1976 Staub D26/43
 D. 281,820 12/1985 Oba et al. D26/43
 D. 290,405 6/1987 Johns D26/37
 662,491 11/1900 Mead D26/37
 4,209,823 6/1980 Burkdoll 362/171

Primary Examiner—Brian N. Vinson
 Assistant Examiner—Robin V. Taylor
 Attorney, Agent, or Firm—Arthur W. Fisher, III

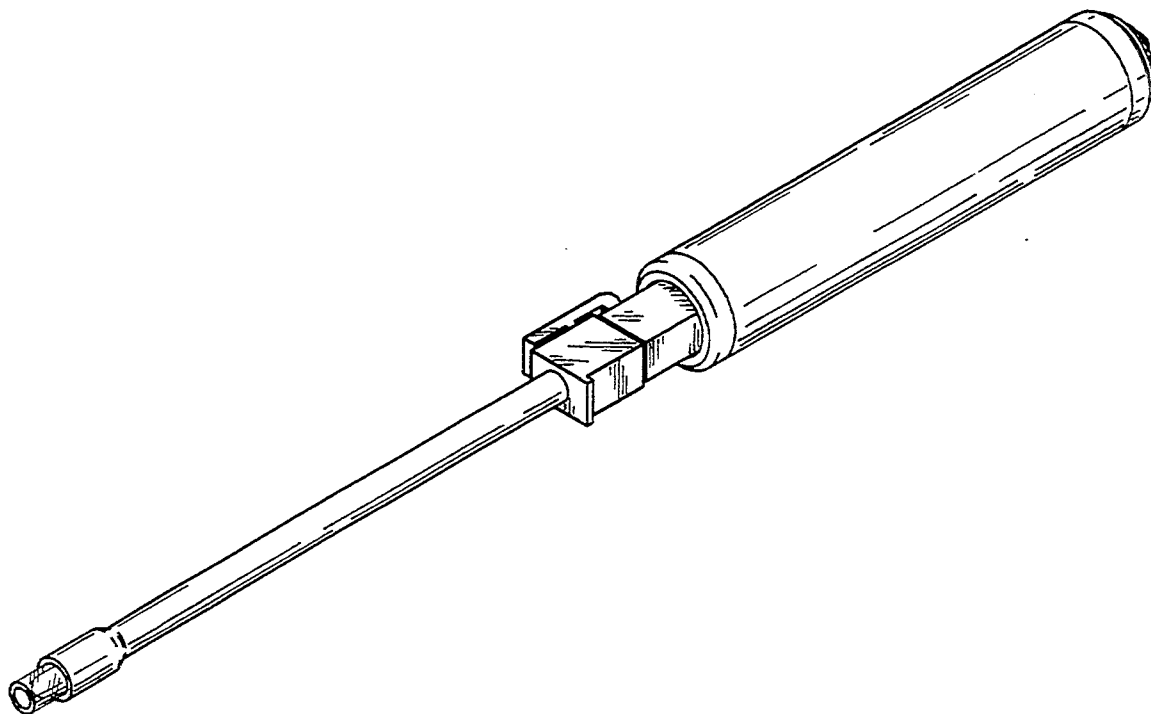
[57] CLAIM

The ornamental design for a flexible light, as shown and described.

DESCRIPTION

FIG. 1 is a perspective view of the flexible light;
 FIG. 2 is a top elevational view thereof;
 FIG. 3 is a bottom elevational view thereof;
 FIG. 4 is a right side elevational view thereof;
 FIG. 5 is a left side elevational view thereof;
 FIG. 6 is a front elevational view thereof; and,
 FIG. 7 is a rear view thereof.

[56] **References Cited**
 U.S. PATENT DOCUMENTS
 D. 147,258 8/1947 Becker D26/43



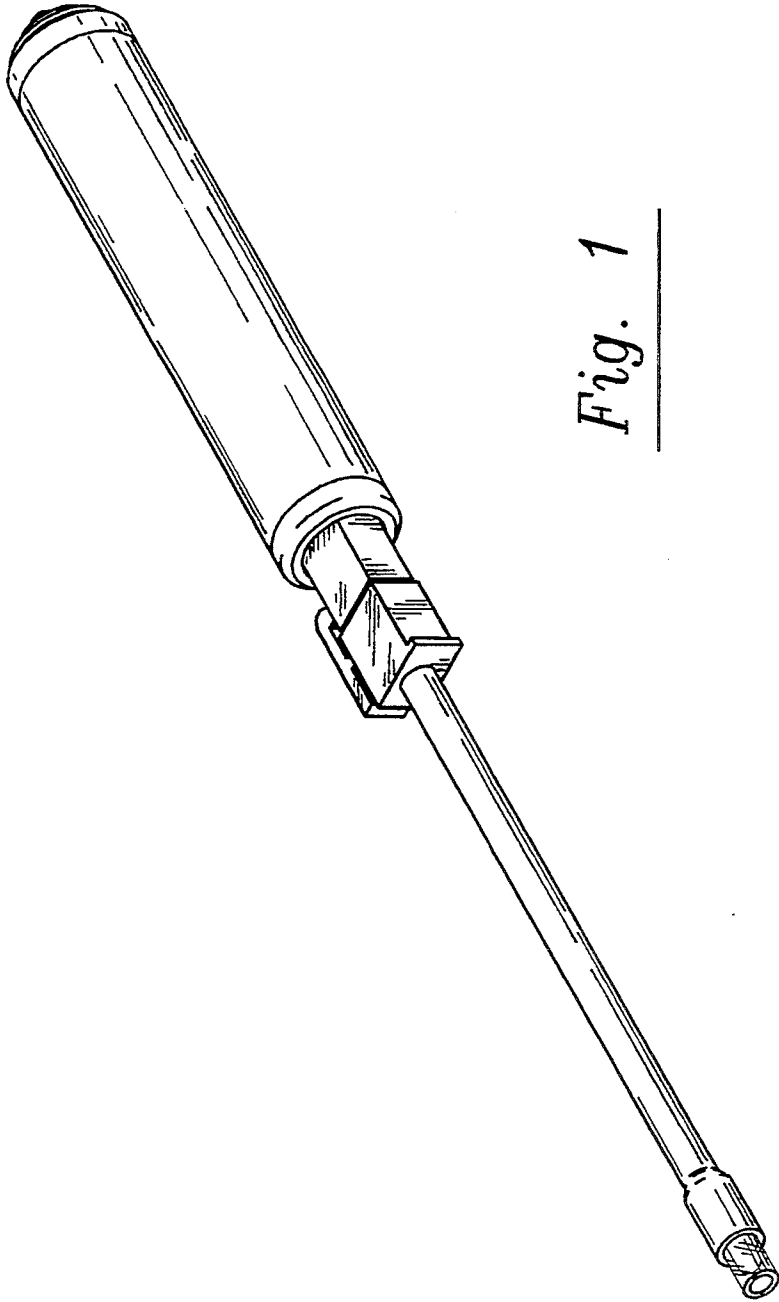


Fig. 1

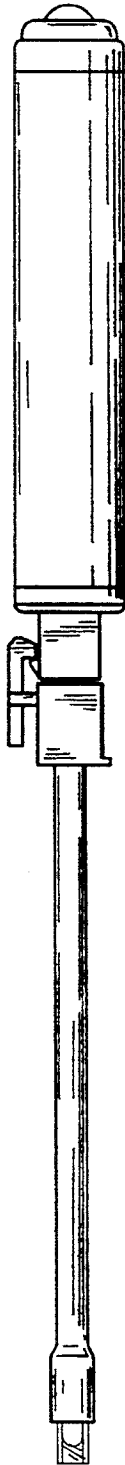


Fig. 2

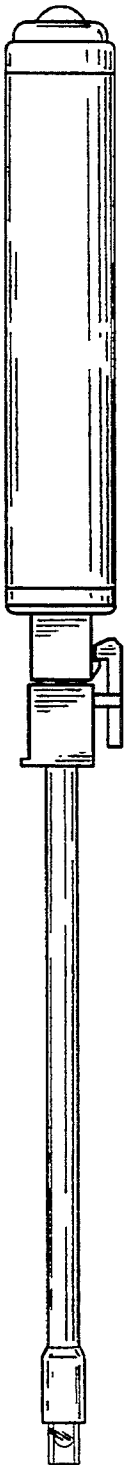


Fig. 3

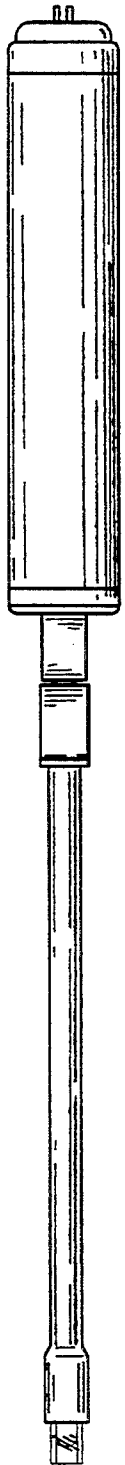


Fig. 4

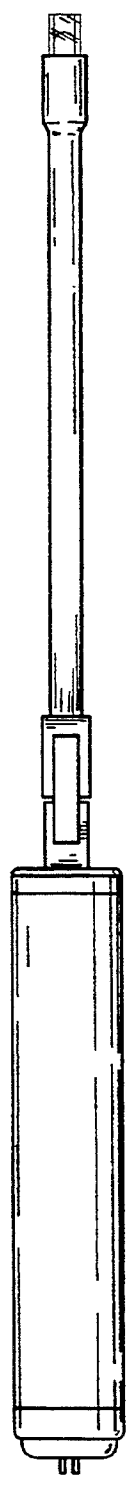


Fig. 5



Fig. 6



Fig. 7