



US00D409073S

# United States Patent [19] Bluestone

[11] Patent Number: **Des. 409,073**  
[45] Date of Patent: **\*\* May 4, 1999**

- [54] **DAMPER CLIP**
- [75] Inventor: **Richard A. Bluestone**, Mayfield Heights, Ohio
- [73] Assignee: **Alan Manufacturing, Inc.**, Cleveland, Ohio
- [\*\*] Term: **14 Years**
- [21] Appl. No.: **29/058,404**
- [22] Filed: **Aug. 14, 1996**
- [51] **LOC (6) Cl.** ..... **08-06**
- [52] **U.S. Cl.** ..... **D8/309; D8/307; D8/394**
- [58] **Field of Search** ..... **D8/307, 394, 309; D23/392; 110/163; 126/285 R, 289, 292, 293, 295**

2,596,570	5/1952	Leigh	.....	126/295
4,491,124	1/1985	Goettel	.....	126/293
4,646,715	3/1987	Russell	.....	126/292

### OTHER PUBLICATIONS

Central Screw Co. "Fasteneering" Cat. "L"; p. 75; Wing Nut W-440, ©1947.

*Primary Examiner*—B. J. Bullock  
*Attorney, Agent, or Firm*—D. Peter Hochberg

### [57] CLAIM

The ornamental design for a damper clip, as shown and described.

### DESCRIPTION

FIG. 1 is a view of the top of the damper clip embodying my invention;  
 FIG. 2 is a view of one side of the damper clip;  
 FIG. 3 is a view of a second side of the damper clip;  
 FIG. 4 is a view of the bottom of the damper clip;  
 FIG. 5 is a view of one end of the damper clip; and,  
 FIG. 6 is a view of the second end of the damper clip.

- [56] **References Cited**
- U.S. PATENT DOCUMENTS**
- 2,123,998 7/1938 Koch ..... 126/295
- 2,263,080 11/1941 Fossum ..... 126/292
- 2,345,997 4/1944 Anderson .
- 2,488,006 11/1949 De Roo ..... 126/285 R

**1 Claim, 3 Drawing Sheets**

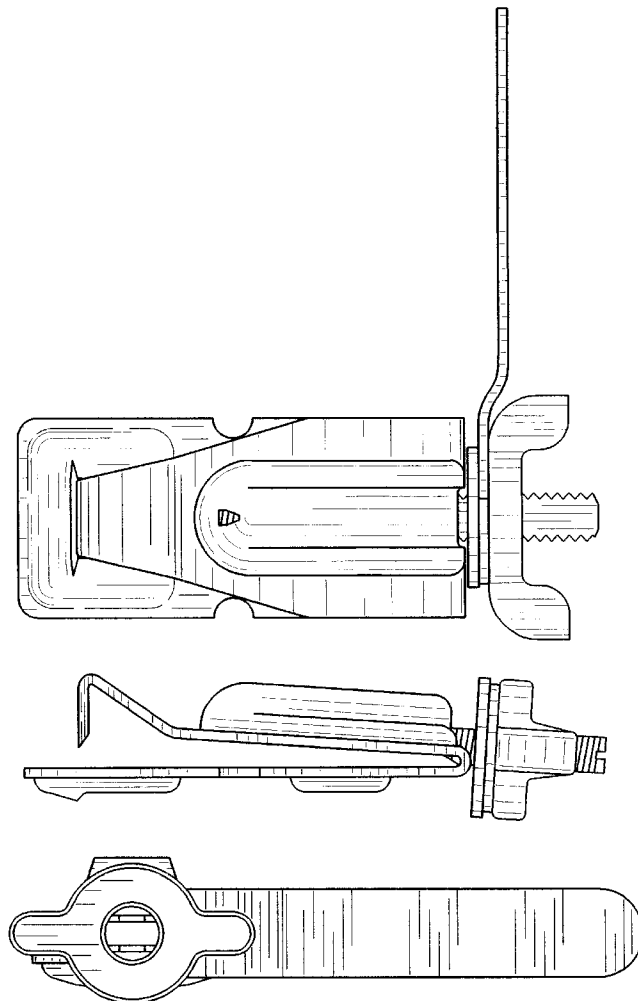


FIG. 1

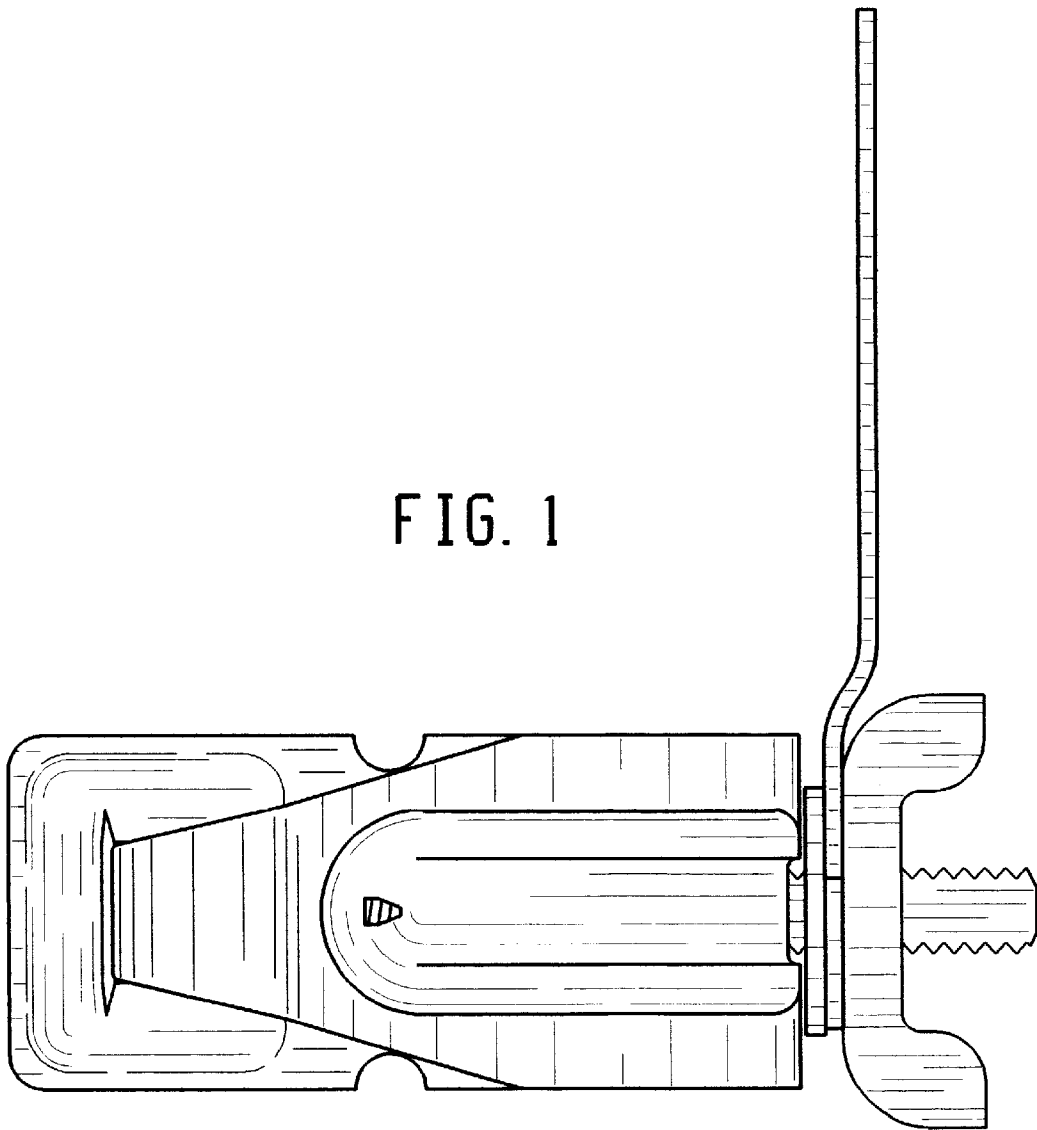
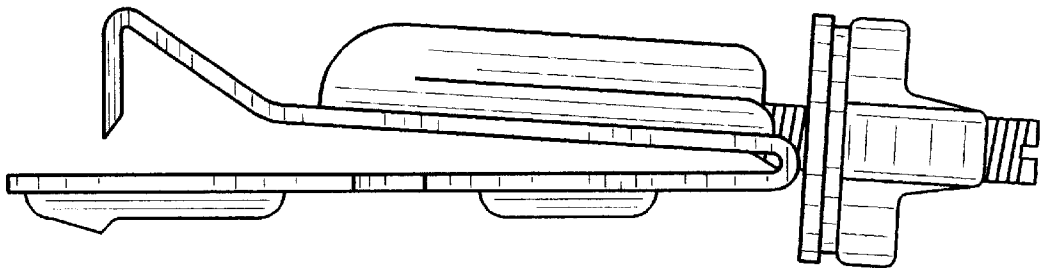


FIG. 2



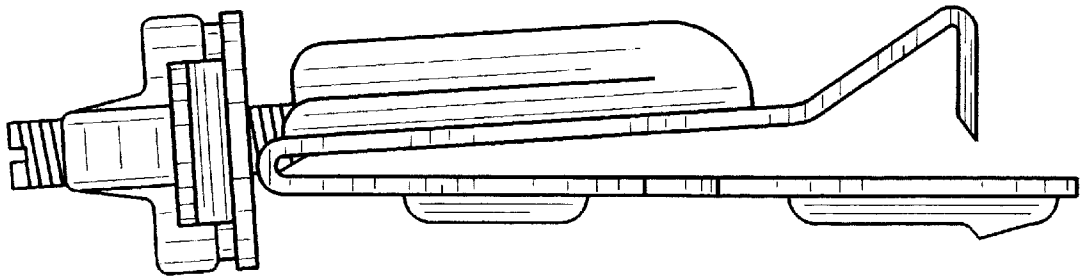


FIG. 3

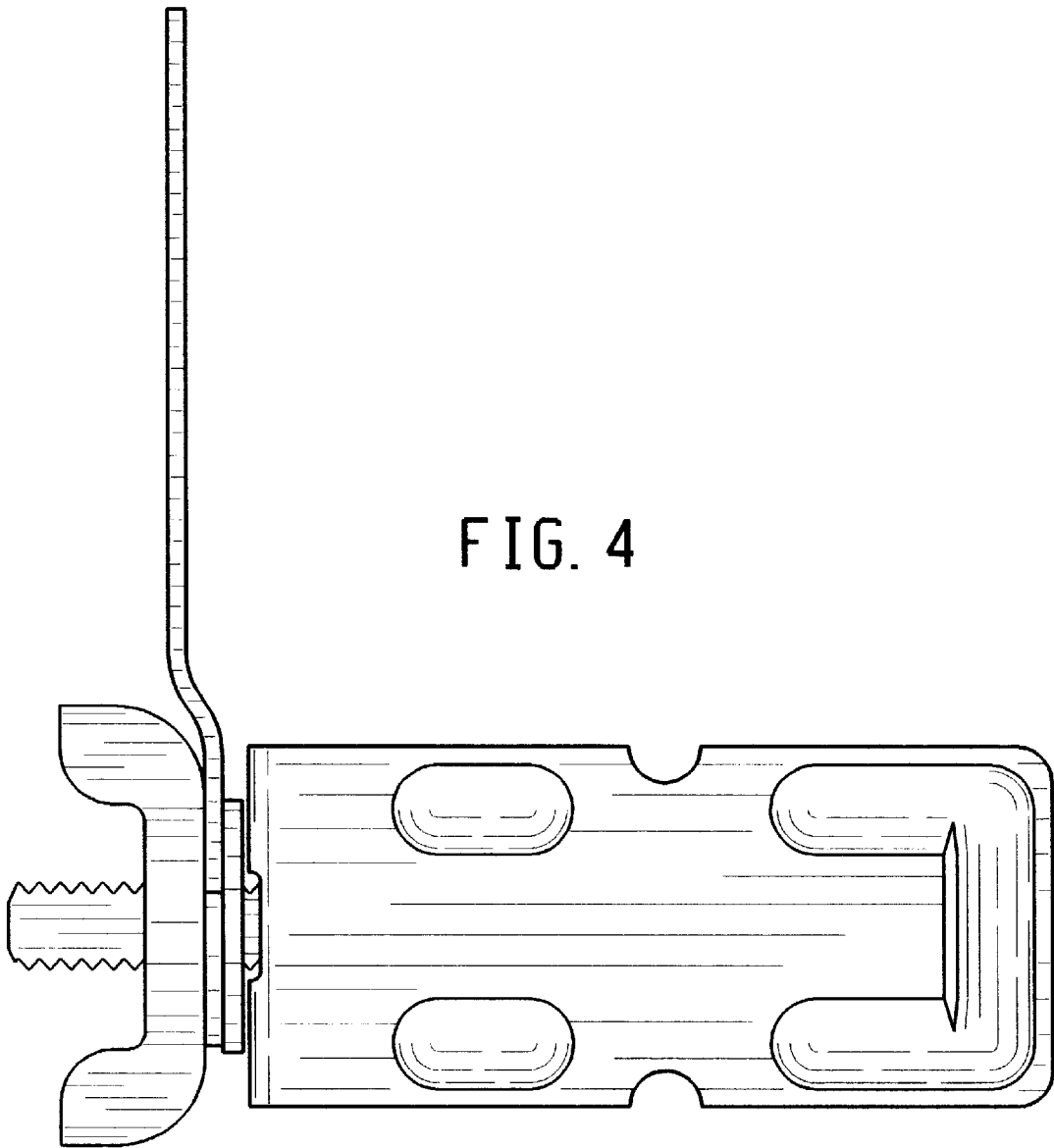


FIG. 4

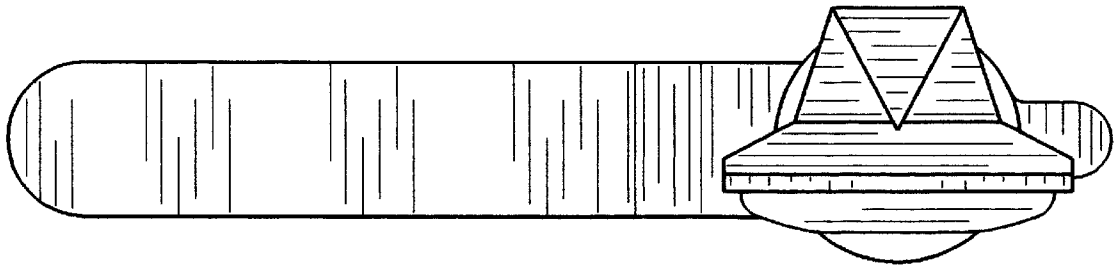


FIG. 5

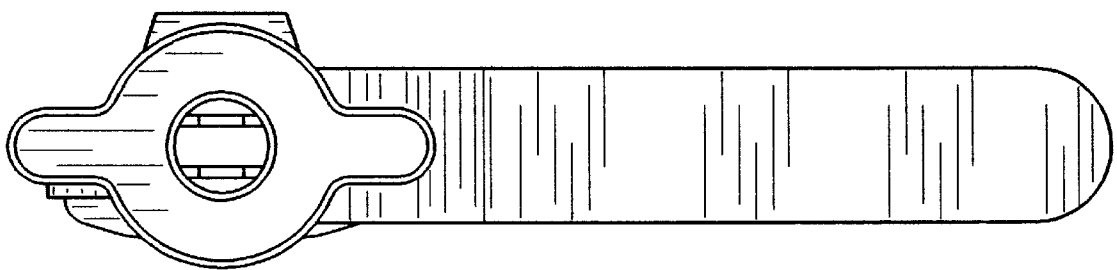


FIG. 6