

(19) World Intellectual Property Organization
International Bureau



(43) International Publication Date
19 March 2009 (19.03.2009)

PCT

(10) International Publication Number
WO 2009/035762 A3

- (51) International Patent Classification:
G06F 19/00 (2006.01)
- (21) International Application Number:
PCT/US2008/070150
- (22) International Filing Date: 16 July 2008 (16.07.2008)
- (25) Filing Language: English
- (26) Publication Language: English
- (30) Priority Data:
11/851,989 7 September 2007 (07.09.2007) US
- (71) Applicant (for all designated States except US): M2 MEDICAL GROUP HOLDINGS, INC. [US/US]; 1012 Stewart Dr, Sunnyvale, CA 94085 (US).
- (72) Inventors; and
- (75) Inventors/Applicants (for US only): MILLER, Steve [US/US]; 719 Holly Oak Dr., Palo Alto, CA 94303 (US). SADLER, John, W. [US/US]; 2808 Hallmark Drive, Belmont, CA 94002 (US).
- (74) Agents: HAWKINS, Michael, T. et al.; Fish & Richardson P.C., P.O. Box 1022, Minneapolis, MN 55440-1022 (US).
- (81) Designated States (unless otherwise indicated, for every kind of national protection available): AE, AG, AL, AM,

AO, AT, AU, AZ, BA, BB, BG, BH, BR, BW, BY, BZ, CA, CH, CN, CO, CR, CU, CZ, DE, DK, DM, DO, DZ, EC, EE, EG, ES, FI, GB, GD, GE, GH, GM, GT, HN, HR, HU, ID, IL, IN, IS, JP, KE, KG, KM, KN, KP, KR, KZ, LA, LC, LK, LR, LS, LT, LU, LY, MA, MD, ME, MG, MK, MN, MW, MX, MY, MZ, NA, NG, NI, NO, NZ, OM, PG, PH, PL, PT, RO, RS, RU, SC, SD, SE, SG, SK, SL, SM, ST, SV, SY, TJ, TM, TN, TR, TT, TZ, UA, UG, US, UZ, VC, VN, ZA, ZM, ZW.

(84) Designated States (unless otherwise indicated, for every kind of regional protection available): ARIPO (BW, GH, GM, KE, LS, MW, MZ, NA, SD, SL, SZ, TZ, UG, ZM, ZW), Eurasian (AM, AZ, BY, KG, KZ, MD, RU, TJ, TM), European (AT, BE, BG, CH, CY, CZ, DE, DK, EE, ES, FI, FR, GB, GR, HR, HU, IE, IS, IT, LT, LU, LV, MC, MT, NL, NO, PL, PT, RO, SE, SI, SK, TR), OAPI (BF, BJ, CF, CG, CI, CM, GA, GN, GQ, GW, ML, MR, NE, SN, TD, TG).

Declarations under Rule 4.17:

- as to applicant's entitlement to apply for and be granted a patent (Rule 4.17(ii))
- as to the applicant's entitlement to claim the priority of the earlier application (Rule 4.17(iii))

Published:

- with international search report

[Continued on next page]

(54) Title: USER PROFILE BACKUP SYSTEM FOR AN INFUSION PUMP DEVICE

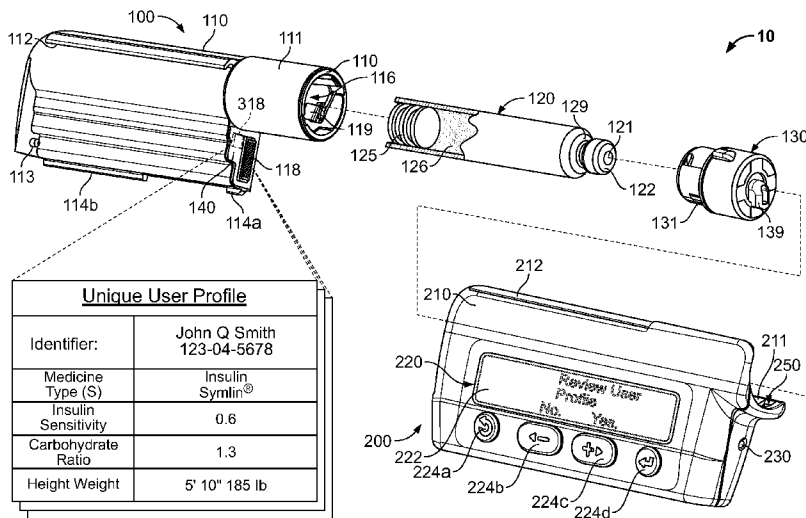


FIG. 1

(57) Abstract: An infusion pump system includes a controller device that communicates with a pump device, the pump device having a memory device. The controller device can be configured to record controller-related data, such as user profile data on the memory device of the pump device. This user profile data that is stored in the memory of the pump device can serve as a data backup system that permits the user to program a new controller device in a situation where the original controller device is lost or damaged. In addition or in the alternative, the controller device can be configured to receive controller-related data, such as software update programs or backup controller data, from the memory device of the pump device.

WO 2009/035762 A3



— *before the expiration of the time limit for amending the claims and to be republished in the event of receipt of amendments*

(88) Date of publication of the international search report:
25 June 2009

INTERNATIONAL SEARCH REPORT

International application No
PCT/US2008/070150

A. CLASSIFICATION OF SUBJECT MATTER
INV. G06F19/00

According to International Patent Classification (IPC), or to both national classification and IPC

B. FIELDS SEARCHED

Minimum documentation searched (classification system followed by classification symbols)
G06F

Documentation searched other than minimum documentation to the extent that such documents are included in the fields searched

Electronic data base consulted during the international search (name of data base and, where practical, search terms used)
EPO-Internal, WPI Data

C. DOCUMENTS CONSIDERED TO BE RELEVANT

Category*	Citation of document, with indication, where appropriate, of the relevant passages	Relevant to claim No.
Y	US 2007/073235 A1 (ESTES MARK C [US] ET AL) 29 March 2007 (2007-03-29) the whole document	1-22
Y	US 6 668 196 B1 (VILLEGAS DANIEL H [US] ET AL) 23 December 2003 (2003-12-23) column 21, paragraph 1	1-22
X	EP 1 384 490 A (PRECIMEDIX S A [CH]) 28 January 2004 (2004-01-28) abstract paragraphs [0040] - [0048]	1
A	US 2007/124002 A1 (ESTES MARK C [US] ET AL) 31 May 2007 (2007-05-31) paragraphs [0099] - [0107]	1-22

Further documents are listed in the continuation of Box C.

See patent family annex.

* Special categories of cited documents :

A document defining the general state of the art which is not considered to be of particular relevance	*T* later document published after the international filing date or priority date and not in conflict with the application but cited to understand the principle or theory underlying the invention
E earlier document but published on or after the international filing date	*X* document of particular relevance; the claimed invention cannot be considered novel or cannot be considered to involve an inventive step when the document is taken alone
L document which may throw doubts on priority claim(s) or which is cited to establish the publication date of another citation or other special reason (as specified)	*Y* document of particular relevance; the claimed invention cannot be considered to involve an inventive step when the document is combined with one or more other such documents, such combination being obvious to a person skilled in the art.
O document referring to an oral disclosure, use, exhibition or other means	*&* document member of the same patent family
P document published prior to the international filing date but later than the priority date claimed	

Date of the actual completion of the international search
6 February 2009

Date of mailing of the international search report
29/04/2009

Name and mailing address of the ISA/
European Patent Office, P.B. 5818 Patentlaan 2
NL - 2280 HV Rijswijk
Tel. (+31-70) 340-2040,
Fax: (+31-70) 340-3016

Authorized officer
Chabros, Cezary

INTERNATIONAL SEARCH REPORT

International application No.
PCT/US2008/070150

Box No. II Observations where certain claims were found unsearchable (Continuation of item 2 of first sheet)

This international search report has not been established in respect of certain claims under Article 17(2)(a) for the following reasons:

1. Claims Nos.:
because they relate to subject matter not required to be searched by this Authority, namely:

2. Claims Nos.:
because they relate to parts of the international application that do not comply with the prescribed requirements to such an extent that no meaningful international search can be carried out, specifically:

3. Claims Nos.:
because they are dependent claims and are not drafted in accordance with the second and third sentences of Rule 6.4(a).

Box No. III Observations where unity of invention is lacking (Continuation of item 3 of first sheet)

This International Searching Authority found multiple inventions in this international application, as follows:

see additional sheet

1. As all required additional search fees were timely paid by the applicant, this international search report covers allsearchable claims.
2. As all searchable claims could be searched without effort justifying an additional fees, this Authority did not invite payment of additional fees.
3. As only some of the required additional search fees were timely paid by the applicant, this international search report covers only those claims for which fees were paid, specifically claims Nos.:
4. No required additional search fees were timely paid by the applicant. Consequently, this international search report is restricted to the invention first mentioned in the claims; it is covered by claims Nos.:

1-22

Remark on Protest

- The additional search fees were accompanied by the applicant's protest and, where applicable, the payment of a protest fee.
- The additional search fees were accompanied by the applicant's protest but the applicable protest fee was not paid within the time limit specified in the invitation.
- No protest accompanied the payment of additional search fees.

FURTHER INFORMATION CONTINUED FROM PCT/ISA/ 210

This International Searching Authority found multiple (groups of) inventions in this international application, as follows:

1. claims: 1-22

a wearable external infusion pump system composed of a controller device with a memory, a pump device with a memory, wherein a patient's profile related to the patient's therapy is recorded in the controller devices memory and as a backup in the pump devices memory.

2. claims: 23-25

a wearable external infusion pump system composed of a controller device with a memory, a pump device with a memory, wherein software update programs for the controller are recorded in the pump devices memory.

INTERNATIONAL SEARCH REPORT

Information on patent family members

International application No

PCT/US2008/070150

Patent document cited in search report	Publication date	Patent family member(s)	Publication date
US 2007073235	A1	29-03-2007	EP 1933902 A2 25-06-2008
			EP 1933901 A2 25-06-2008
			US 2007173762 A1 26-07-2007
			US 2007156092 A1 05-07-2007
			US 2007167905 A1 19-07-2007
			US 2008045903 A1 21-02-2008
			US 2008045904 A1 21-02-2008
			US 2008045902 A1 21-02-2008
			US 2008045931 A1 21-02-2008
			WO 2007038059 A2 05-04-2007
			WO 2007038060 A2 05-04-2007
			WO 2007038091 A2 05-04-2007
			US 6668196
EP 1384490	A	28-01-2004	AT 312634 T 15-12-2005
			AU 2003245795 A1 09-02-2004
			WO 2004009159 A2 29-01-2004
			DE 60302797 T2 19-10-2006
US 2007124002	A1	31-05-2007	EP 1955240 A2 13-08-2008
			WO 2007056592 A2 18-05-2007