



(51) International Patent Classification:
H04W 76/02 (2009.01)

(21) International Application Number:
PCT/EP2009/003014

(22) International Filing Date:
24 April 2009 (24.04.2009)

(25) Filing Language: English

(26) Publication Language: English

(30) Priority Data:
61/047,571 24 April 2008 (24.04.2008) US

(71) Applicant (for all designated States except US): TELEFONAKTIEBOLAGET L M ERICSSON (PUBL) [SE/SE]; S-164 83 Stockholm (SE).

(72) Inventors; and
(75) Inventors/Applicants (for US only): KELLER, Ralf [DE/DE]; Talblick 22, 52146 Wuerselen (DE). RANKE, Karl-Peter [DE/DE]; Haus-Heyden-Str. 107a, 52134 Herzogenrath (DE). NOHLGREN, Anders [SE/SE]; Ornbergsvägen 10, 11767 Stockholm (SE).

(74) Agent: NEUERBURG, Gerhard; Ericsson GmbH, Ericsson Allee 1, D-52134 Herzogenrath (DE).

(81) Designated States (unless otherwise indicated, for every kind of national protection available): AE, AG, AL, AM,

AO, AT, AU, AZ, BA, BB, BG, BH, BR, BW, BY, BZ, CA, CH, CN, CO, CR, CU, CZ, DE, DK, DM, DO, DZ, EC, EE, EG, ES, FI, GB, GD, GE, GH, GM, GT, HN, HR, HU, ID, IL, IN, IS, JP, KE, KG, KM, KN, KP, KR, KZ, LA, LC, LK, LR, LS, LT, LU, LY, MA, MD, ME, MG, MK, MN, MW, MX, MY, MZ, NA, NG, NI, NO, NZ, OM, PG, PH, PL, PT, RO, RS, RU, SC, SD, SE, SG, SK, SL, SM, ST, SV, SY, TJ, TM, TN, TR, TT, TZ, UA, UG, US, UZ, VC, VN, ZA, ZM, ZW.

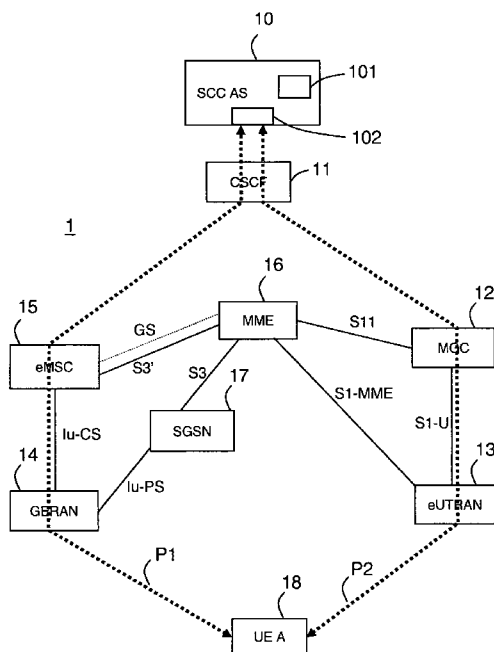
(84) Designated States (unless otherwise indicated, for every kind of regional protection available): ARIPO (BW, GH, GM, KE, LS, MW, MZ, NA, SD, SL, SZ, TZ, UG, ZM, ZW), Eurasian (AM, AZ, BY, KG, KZ, MD, RU, TJ, TM), European (AT, BE, BG, CH, CY, CZ, DE, DK, EE, ES, FI, FR, GB, GR, HR, HU, IE, IS, IT, LT, LU, LV, MC, MK, MT, NL, NO, PL, PT, RO, SE, SI, SK, TR), OAPI (BF, BJ, CF, CG, CI, CM, GA, GN, GQ, GW, ML, MR, NE, SN, TD, TG).

Published:

- with international search report (Art. 21(3))
- before the expiration of the time limit for amending the claims and to be republished in the event of receipt of amendments (Rule 48.2(h))

(88) Date of publication of the international search report:
22 July 2010

(54) Title: METHOD, APPARATUS AND COMPUTER PROGRAM FOR SUPPORTING A SESSION IDENTIFIER IN CASE OF A TRANSFER BETWEEN DIFFERENT RADIO ACCESS NETWORKS



(57) Abstract: The invention refers to supporting a communication established between a first mobile terminal (18) towards a telecommunications network (1), the telecommunications network (1) comprising a first radio access network (13) and a second radio access network (14) and an application server (10), wherein the application server performs the steps of receiving an identifier that a session setup was initiated with respect to the first mobile terminal (18), wherein the identifier is adapted to identify the session, entering the identifier into an identifier list comprising one or a plurality of identifiers for identifying sessions with respect to the first mobile terminal (18), receiving an indication of a session transfer from the first radio access network (13) to the second radio access network (14) or vice versa, and providing the identifier list in response to the indication. The invention further refers to an application server (10) and corresponding computer program.

Fig.1

WO 2009/130042 A3

INTERNATIONAL SEARCH REPORT

International application No
PCT/EP2009/003014

A. CLASSIFICATION OF SUBJECT MATTER

INV. H04W76/02
ADD.

According to International Patent Classification (IPC) or to both national classification and IPC

B. FIELDS SEARCHED

Minimum documentation searched (classification system followed by classification symbols)
H04W H04L

Documentation searched other than minimum documentation to the extent that such documents are included in the fields searched

Electronic data base consulted during the international search (name of data base and, where practical, search terms used)

EPO-Internal

C. DOCUMENTS CONSIDERED TO BE RELEVANT

Category*	Citation of document, with indication, where appropriate, of the relevant passages	Relevant to claim No.
X	US 2002/080822 A1 (BROWN MICHAEL K [GB] ET AL) 27 June 2002 (2002-06-27) paragraphs [0010] - [0036]; figure 2	1-11
A	"3rd Generation Partnership Project; Technical Specification Group Services and System Aspects; Single Radio Voice Call Continuity (SRVCC); Stage 2 (Release 8)" 3GPP STANDARD; 3GPP TS 23.216, 3RD GENERATION PARTNERSHIP PROJECT (3GPP), MOBILE COMPETENCE CENTRE ; 650, ROUTE DES LUCIOLES ; F-06921 SOPHIA-ANTIPOLIS CEDEX ; FRANCE, no. V1.1.0, 1 April 2008 (2008-04-01), pages 1-26, XP050363160 paragraph [5.3.2.] paragraphs [6.2.1.1.] - [6.2.1.2.] ----- -/--	1-11

 Further documents are listed in the continuation of Box C. See patent family annex.

* Special categories of cited documents :

"A" document defining the general state of the art which is not considered to be of particular relevance

"E" earlier document but published on or after the international filing date

"L" document which may throw doubts on priority claim(s) or which is cited to establish the publication date of another citation or other special reason (as specified)

"O" document referring to an oral disclosure, use, exhibition or other means

"P" document published prior to the international filing date but later than the priority date claimed

"T" later document published after the international filing date or priority date and not in conflict with the application but cited to understand the principle or theory underlying the invention

"X" document of particular relevance; the claimed invention cannot be considered novel or cannot be considered to involve an inventive step when the document is taken alone

"Y" document of particular relevance; the claimed invention cannot be considered to involve an inventive step when the document is combined with one or more other such documents, such combination being obvious to a person skilled in the art.

"&" document member of the same patent family

Date of the actual completion of the international search

10 May 2010

Date of mailing of the international search report

19/05/2010

Name and mailing address of the ISA/

European Patent Office, P.B. 5818 Patentlaan 2
NL - 2280 HV Rijswijk
Tel. (+31-70) 340-2040,
Fax: (+31-70) 340-3016

Authorized officer

Günther, Steffen

INTERNATIONAL SEARCH REPORT

International application No

PCT/EP2009/003014

C(Continuation). DOCUMENTS CONSIDERED TO BE RELEVANT		
Category*	Citation of document, with indication, where appropriate, of the relevant passages	Relevant to claim No.
A	"3rd Generation Partnership Project; Technical Specification Group Core Network; Mobile radio interface signalling layer 3; General aspects (Release 7)" 3GPP STANDARD; 3GPP TS 24.007, 3RD GENERATION PARTNERSHIP PROJECT (3GPP), MOBILE COMPETENCE CENTRE ; 650, ROUTE DES LUCIOLES ; F-06921 SOPHIA-ANTIPOLIS CEDEX ; FRANCE, no. V7.0.0, 1 September 2005 (2005-09-01), pages 1-142, XP050364366 paragraph [11.2.3.1.3.] -----	1-11
X,P	ERICSSON: "Transaction Identifier for SRVCC" 3GPP DRAFT; S2-083502_S2_65_SRVCC TI R5, 3RD GENERATION PARTNERSHIP PROJECT (3GPP), MOBILE COMPETENCE CENTRE ; 650, ROUTE DES LUCIOLES ; F-06921 SOPHIA-ANTIPOLIS CEDEX ; FRANCE, vol. SA WG2, no. Prague; 20080430, 30 April 2008 (2008-04-30), XP050265712 [retrieved on 2008-04-30] paragraph [001.] paragraphs [5.3.4.2.] - [6.2.1.2.] -----	1-11

INTERNATIONAL SEARCH REPORT

Information on patent family members

International application No

PCT/EP2009/003014

Patent document cited in search report	Publication date	Patent family member(s)	Publication date
US 2002080822 A1	27-06-2002	WO 02052761 A1	04-07-2002