



US00D735771S

(12) **United States Design Patent**
Imashige et al.

(10) **Patent No.:** **US D735,771 S**

(45) **Date of Patent:** **** Aug. 4, 2015**

(54) **TRAVELLING BODY FOR CONSTRUCTION MACHINE**

(56) **References Cited**

U.S. PATENT DOCUMENTS

- (71) Applicant: **KOBELCO CONSTRUCTION MACHINERY CO., LTD.**,
Hiroshima-shi, Hiroshima (JP)
- (72) Inventors: **Hirokazu Imashige**, Hiroshima (JP); **Shintaro Sakitani**, Hiroshima (JP); **Isao Miyachi**, Hiroshima (JP); **Hiroshi Kanamaru**, Hiroshima (JP); **Kaoru Adachi**, Hiroshima (JP)
- (73) Assignee: **Kobelco Construction Machinery Co., Ltd.**, Hiroshima-shi (JP)

D432,144 S *	10/2000	Kraft et al.	D15/30
D440,235 S *	4/2001	Kuwae et al.	D15/25
D450,067 S *	11/2001	Murakami et al.	D15/25
D450,331 S *	11/2001	Murakami et al.	D15/25
D481,044 S *	10/2003	Tokach et al.	D15/30
D487,100 S *	2/2004	Tokach et al.	D15/30
D487,575 S *	3/2004	Wetzel et al.	D15/33
D508,498 S *	8/2005	Shimokakiuchi et al.	D15/24
D509,514 S *	9/2005	Shimokakiuchi et al.	D15/24
7,001,135 B2 *	2/2006	Shimokakiuchi et al.	414/687
D575,804 S *	8/2008	Murakami et al.	D15/28
D576,182 S *	9/2008	Murakami et al.	D15/28
D582,946 S *	12/2008	Ochi et al.	D15/28
D587,285 S *	2/2009	Murakami et al.	D15/28
D590,845 S *	4/2009	Ochi et al.	D15/22
D591,773 S *	5/2009	Ueta et al.	D15/22

(Continued)

(**) Term: **14 Years**

FOREIGN PATENT DOCUMENTS

(21) Appl. No.: **29/473,956**

JP	1213107 S	8/2004
JP	1465429 S	3/2013

(22) Filed: **Nov. 27, 2013**

(30) **Foreign Application Priority Data**

Jun. 12, 2013 (JP)	2013-013232
Jun. 12, 2013 (JP)	2013-013233

(51) **LOC (10) Cl.** **15-09**

(52) **U.S. Cl.**
USPC **D15/28**

(58) **Field of Classification Search**
USPC D15/28, 10-27, 29-33; 180/89.1, 180/89.12, 235, 900; 296/193.03, 193.08; 172/611, 776; 414/694, 699, 722-724, 414/680, 660
CPC E02D 19/18; E02D 17/13; E02D 5/18; E02F 3/086; E02F 3/144; E02F 3/306; E02F 3/307; B60P 3/40

See application file for complete search history.

Primary Examiner — Cynthia Ramirez

Assistant Examiner — Gino Colan

(74) *Attorney, Agent, or Firm* — Birch, Stewart, Kolasch & Birch, LLP

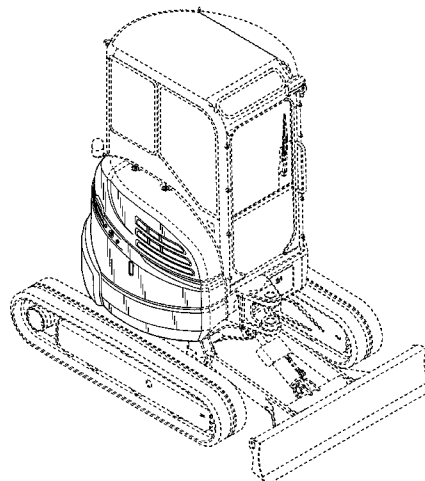
(57) **CLAIM**

The ornamental design for a travelling body for construction machine, as shown and described.

DESCRIPTION

FIG. 1 is a first perspective view of a travelling body for construction machine showing our new design; FIG. 2 is a second perspective view thereof; FIG. 3 is a front view thereof; FIG. 4 is a rear view thereof; FIG. 5 is a left side view thereof; FIG. 6 is a right side view thereof; and, FIG. 7 is a top view thereof.
The portion shown by broken lines is for illustrative purposes only and forms no part of the claimed design.

1 Claim, 7 Drawing Sheets



(56)

References Cited

U.S. PATENT DOCUMENTS

D593,137	S *	5/2009	Ueta et al.	D15/28	D684,599	S *	6/2013	Saito et al.	D15/24
D594,884	S *	6/2009	Murakami et al.	D15/28	D684,600	S *	6/2013	Saito et al.	D15/24
D633,926	S *	3/2011	Shimada et al.	D15/25	D687,865	S *	8/2013	Hatanaka et al.	D15/24
7,967,094	B2 *	6/2011	Matsushita et al.	180/69.2	D695,791	S *	12/2013	Hagura et al.	D15/25
D681,689	S *	5/2013	Saito et al.	D15/24	8,733,824	B2 *	5/2014	Kanamaru	296/191
D684,598	S *	6/2013	Hagura et al.	D15/24	D707,261	S *	6/2014	Caboret et al.	D15/24
					D716,845	S *	11/2014	Hayami et al.	D15/25
					D717,346	S *	11/2014	Ishii	D15/28
					2013/0306388	A1 *	11/2013	Yamamoto et al.	180/89.12

* cited by examiner

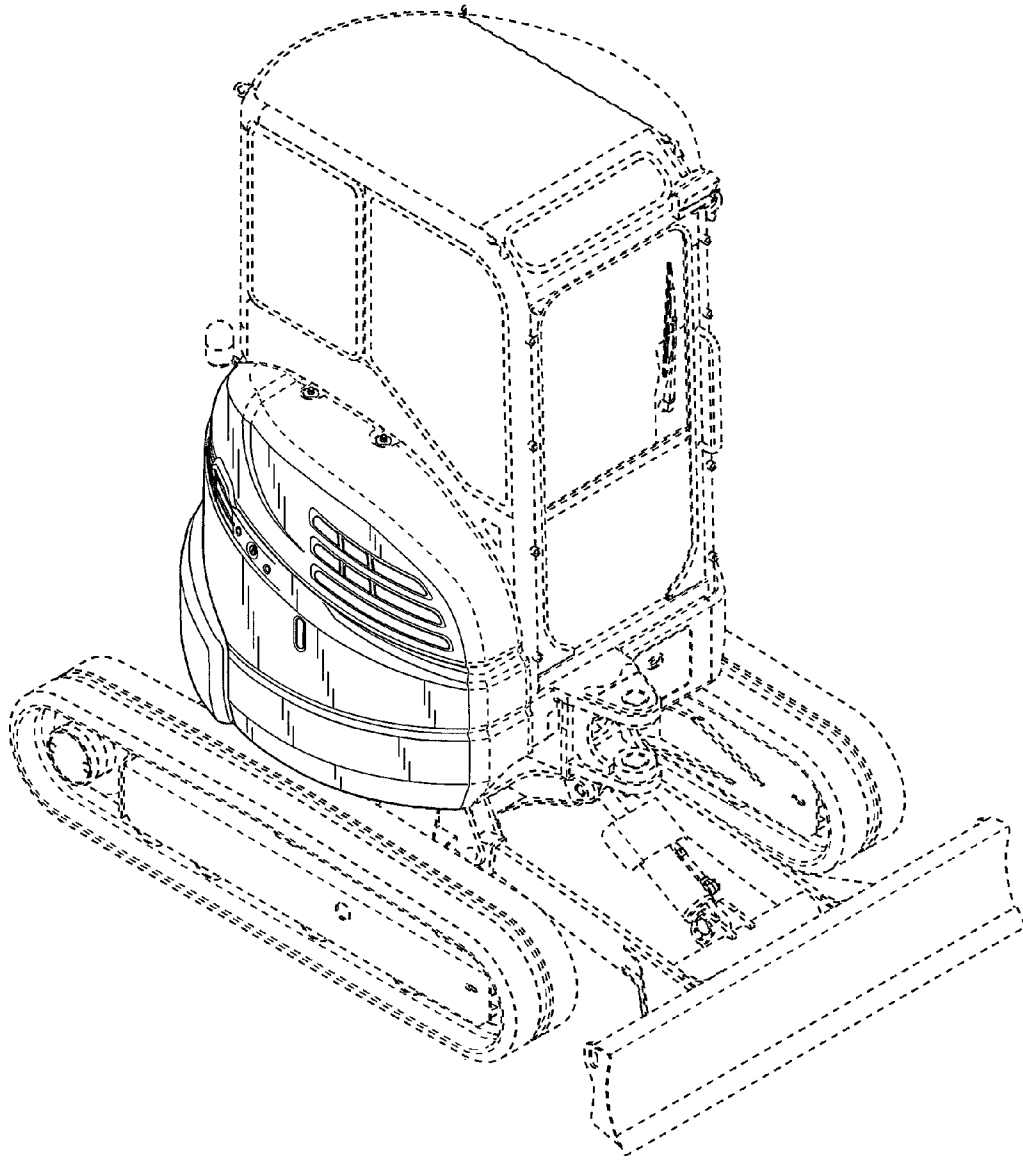


FIG. 1

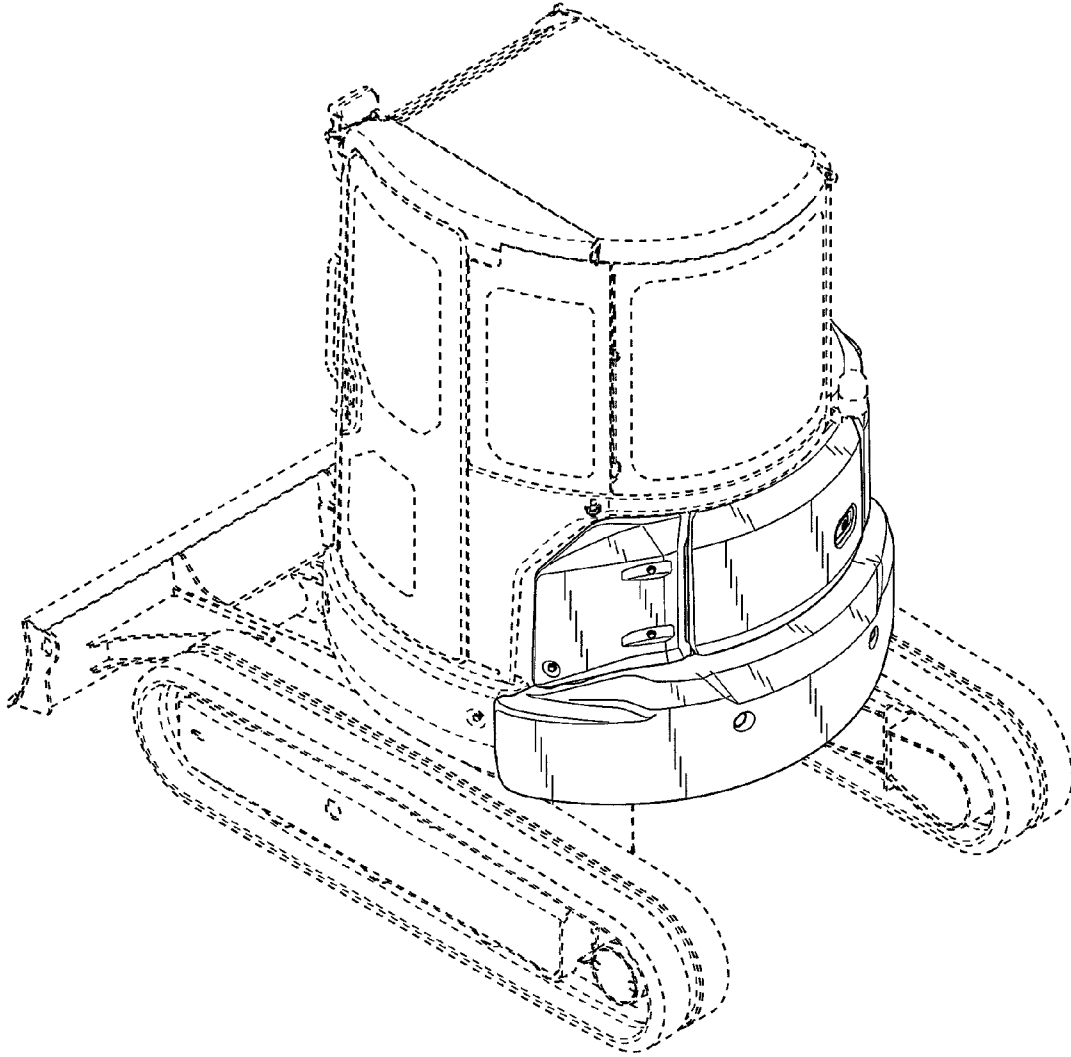


FIG.2

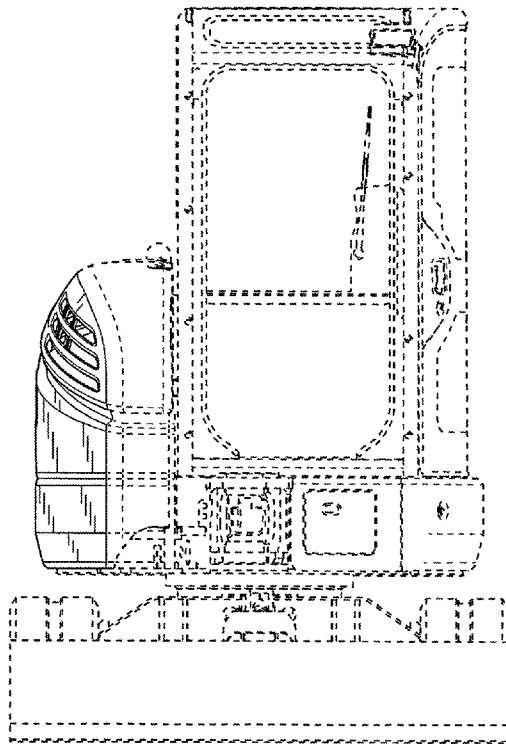


FIG.3

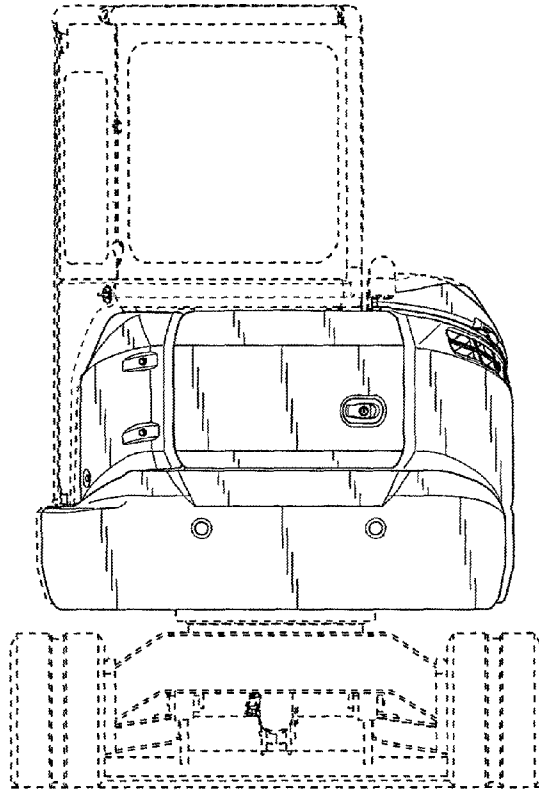


FIG.4

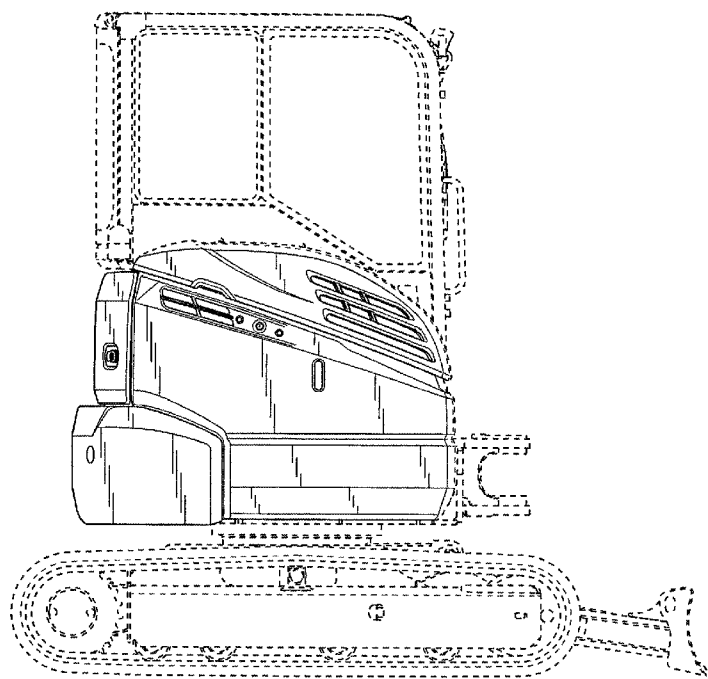


FIG.5

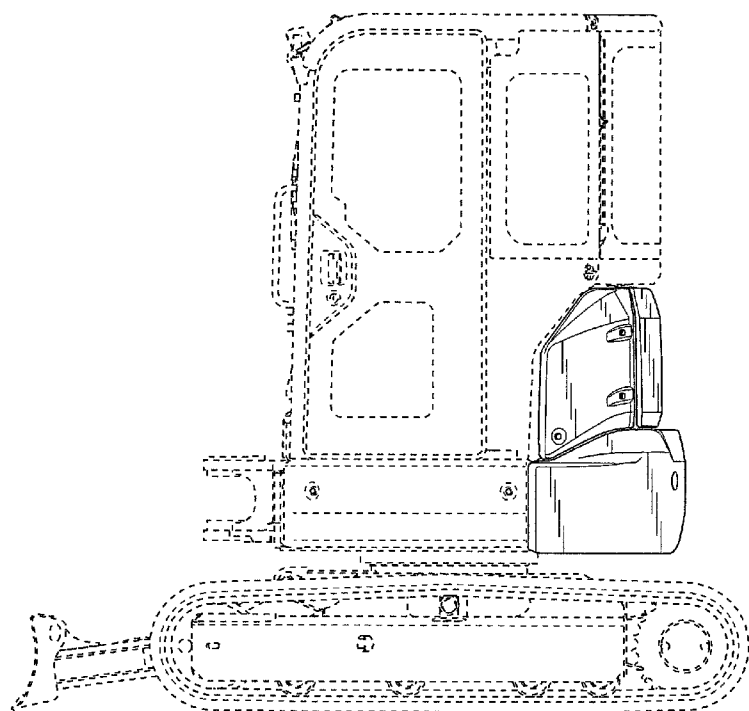


FIG.6

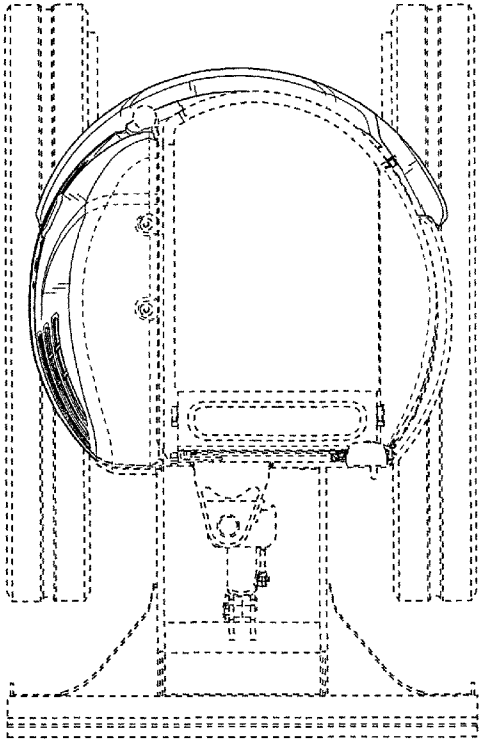


FIG.7