



US00D343039S

United States Patent [19]

[11] Patent Number: **Des. 343,039**

Knox

[45] Date of Patent: **** Jan. 4, 1994**

- [54] **LAWN WOOD CART**
- [76] Inventor: **Carl C. Knox, R.R. #2, Box 2370, Farmington, Mo. 63640**
- [**] Term: **14 Years**
- [21] Appl. No.: **758,963**
- [22] Filed: **Sep. 13, 1991**
- [52] U.S. Cl. **D34/18; D34/12**
- [58] Field of Search 280/62; D34/12, 17, D34/18

4,974,863 12/1990 Patin 280/62

Primary Examiner—Kay H. Chin
Attorney, Agent, or Firm—S. Michael Bender

[57] CLAIM

The ornamental design for a lawn wood cart, as shown and described.

DESCRIPTION

FIG. 1 is a front elevational view of the lawn wood cart showing my new design;
 FIG. 2 is a rear elevational view thereof;
 FIG. 3 is a left side elevational view thereof;
 FIG. 4 is a right side elevational view thereof;
 FIG. 5 is a top plan view thereof;
 FIG. 6 is a bottom plan view thereof; and,
 FIG. 7 is a top perspective view thereof.

- [56] **References Cited**
- U.S. PATENT DOCUMENTS**
- 2,728,585 12/1955 Walline 280/62
- 3,570,619 3/1971 Taylor 280/62

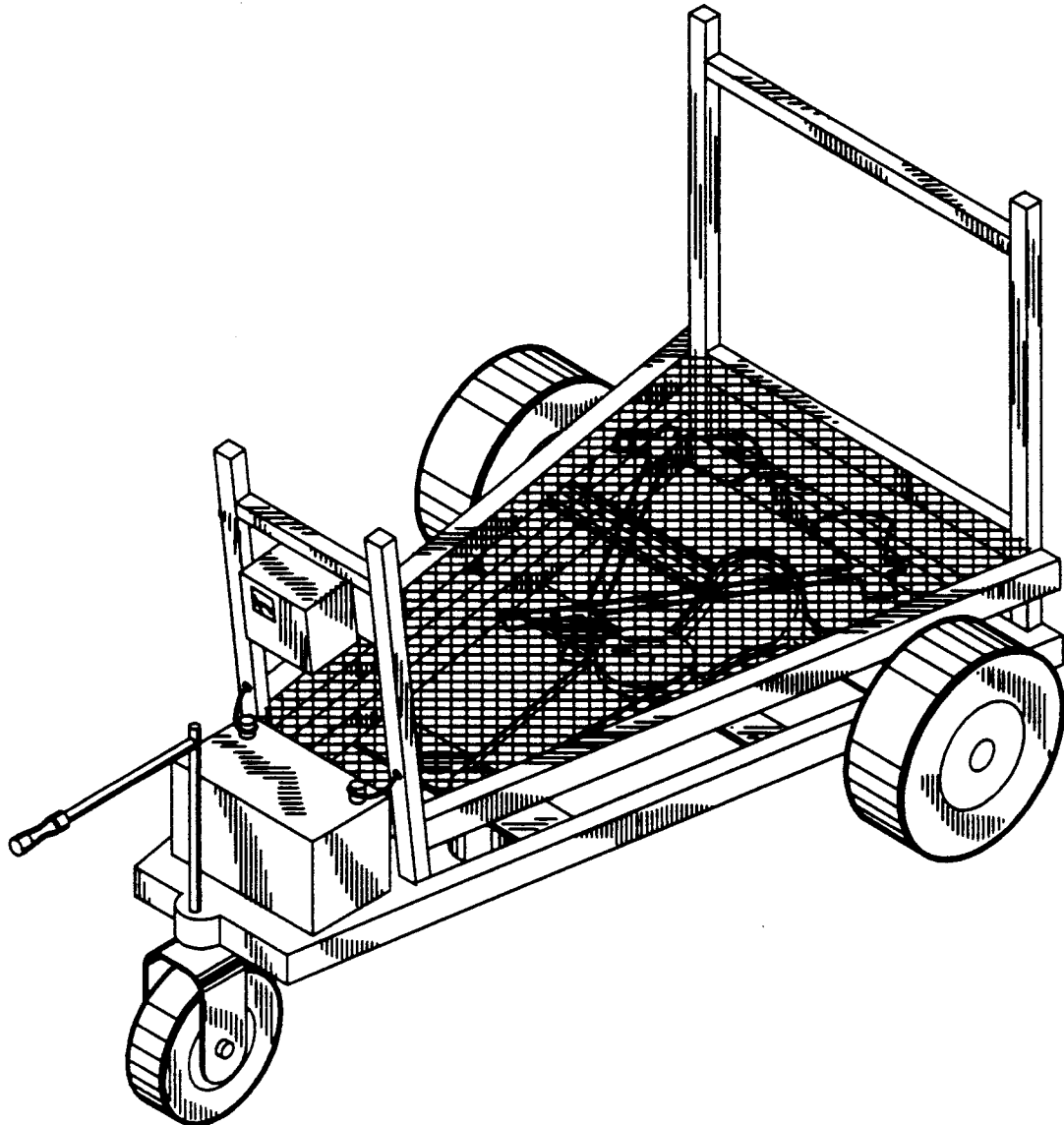


FIG. 1

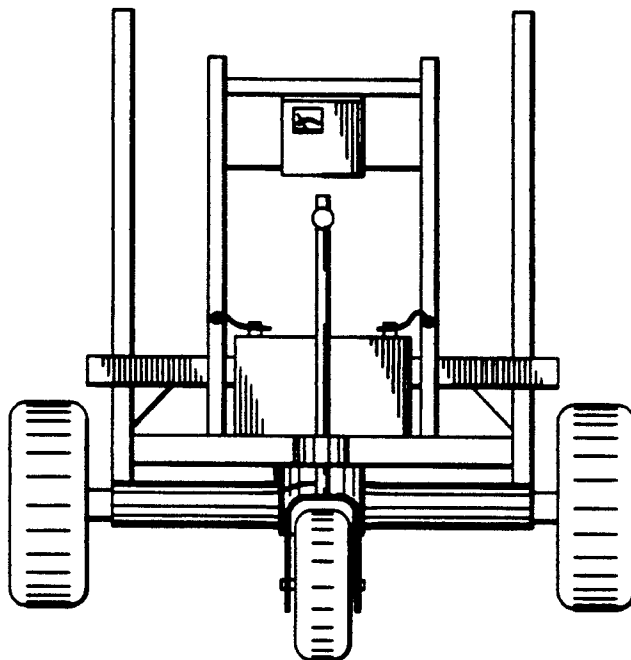


FIG. 2

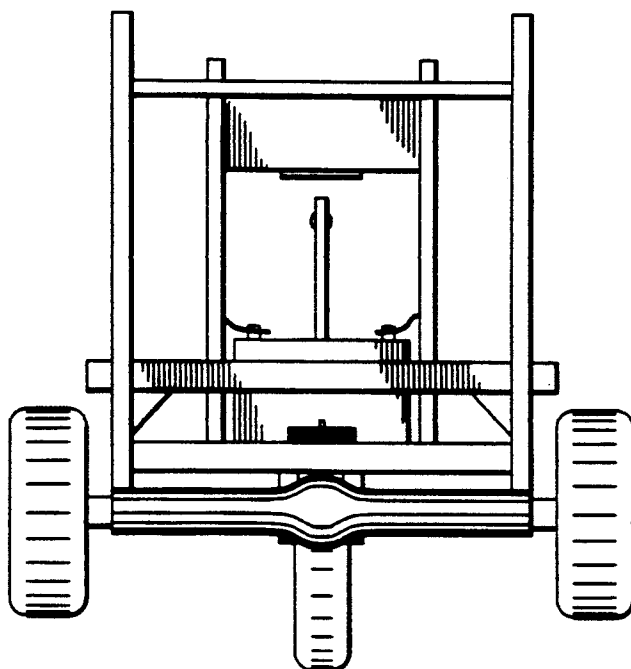


FIG. 3

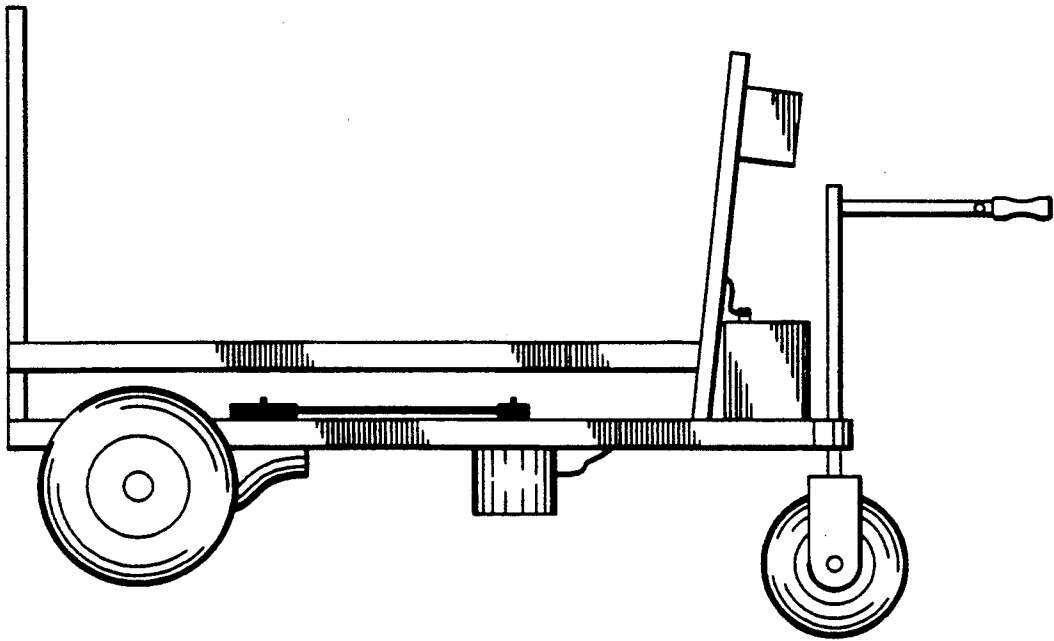


FIG. 4

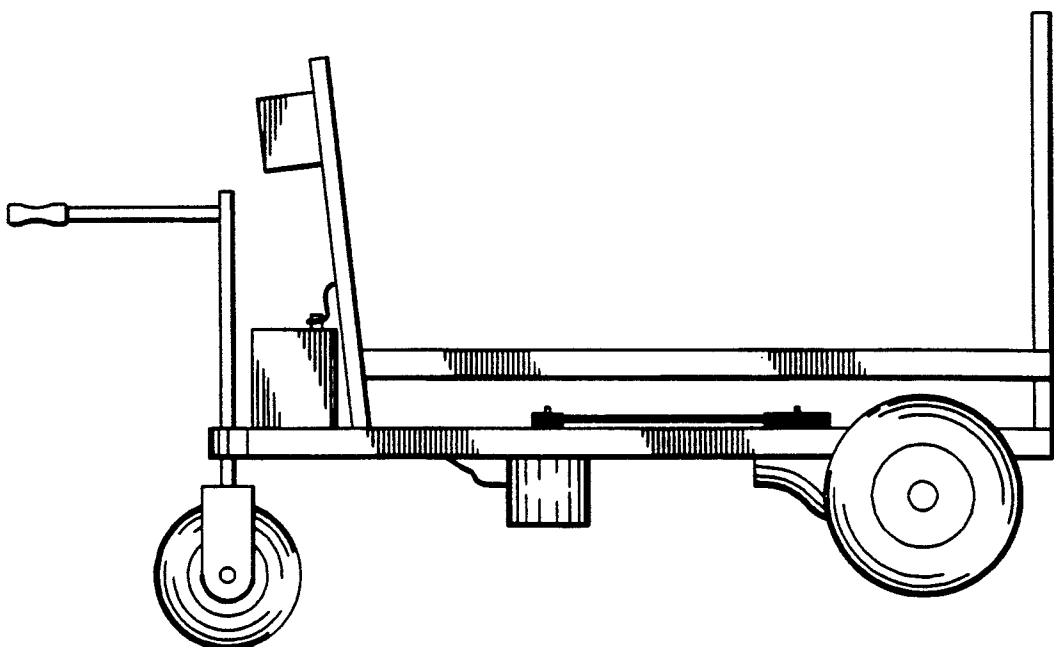


FIG. 5

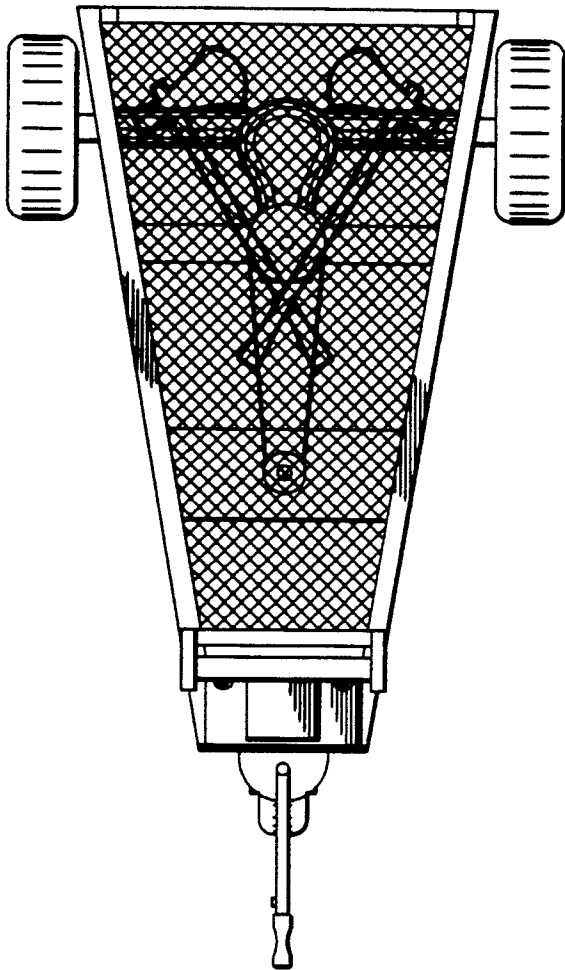


FIG. 6

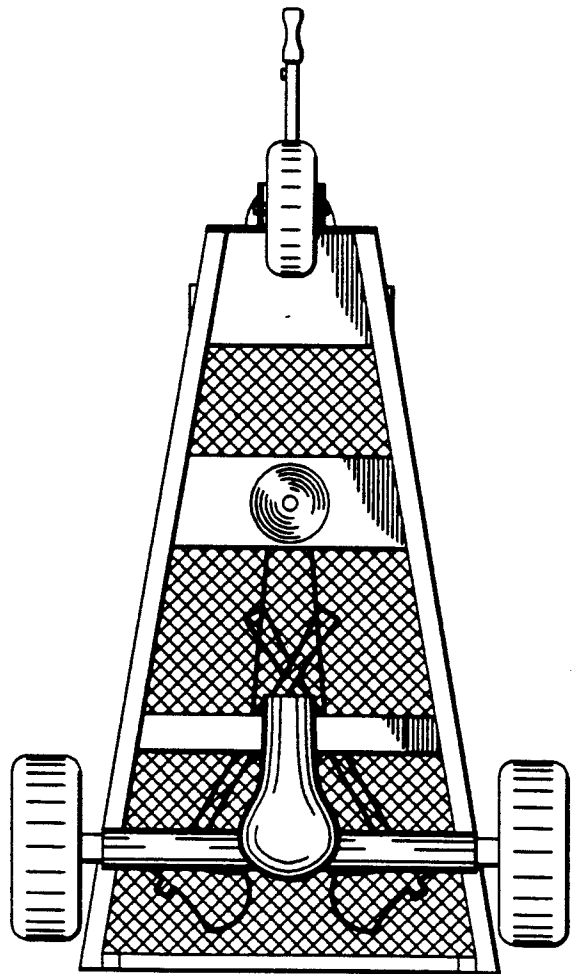


FIG. 7

