

(19) World Intellectual Property Organization
International Bureau



(43) International Publication Date
11 December 2008 (11.12.2008)

PCT

(10) International Publication Number
WO 2008/149223 A3

(51) International Patent Classification:

A61F 2/44 (2006.01) A61B 17/064 (2006.01)
A61F 2/46 (2006.01)

(21) International Application Number:

PCT/IB2008/001484

(22) International Filing Date: 9 June 2008 (09.06.2008)

(25) Filing Language: English

(26) Publication Language: English

(30) Priority Data:

07/04155 8 June 2007 (08.06.2007) FR

(71) Applicant (for all designated States except US): LDR MEDICAL [FR/FR]; 4, rue Marie Curie, F-10430 Rosieres (FR).

(72) Inventors; and

(75) Inventors/Applicants (for US only): ALLAIN, Jérôme [FR/FR]; 122 rue de Noisy le sec, F-93170 Bagnolet (FR). LOMBARD, Jean [FR/FR]; 205 rue de Strasbourg, F-79000 Niort (FR). PHELPS, Jeff [US/US];

6017 Pedernales Ridge, North Richland Hills, TX 76180 (US). NUNLEY, Pierce, D. [US/US]; Spine Institute of Louisiana, 1500 Line Avenue, Suite 200, Shreveport, LA 71101 (US). GORDON, Charles [US/US]; 7302 Hollytree Drive, Tyler, TX 75703 (US). LEONE, Vincent, J. [US/US]; 289 Mill Spring Road, Manhasset, NY 11030 (US). HISEY, Michael, M., D. [US/US]; 4901 Lippezaner Drive, Flower Mound, TX 75028 (US).

(74) Agent: DEBAY, Yves; Cabinet Debay, 126 Elysée 2, F-78170 La Celle St Cloud (FR).

(81) Designated States (unless otherwise indicated, for every kind of national protection available): AE, AG, AL, AM, AO, AT, AU, AZ, BA, BB, BG, BH, BR, BW, BY, BZ, CA, CH, CN, CO, CR, CU, CZ, DE, DK, DM, DO, DZ, EC, EE, EG, ES, FI, GB, GD, GE, GH, GM, GT, HN, HR, HU, ID, IL, IN, IS, JP, KE, KG, KM, KN, KP, KR, KZ, LA, LC, LK, LR, LS, LT, LU, LY, MA, MD, ME, MG, MK, MN, MW, MX, MY, MZ, NA, NG, NI, NO, NZ, OM, PG, PH, PL, PT, RO, RS, RU, SC, SD, SE, SG, SK, SL, SM, SV, SY, TJ, TM, TN, TR, TT, TZ, UA, UG, US, UZ, VC, VN, ZA, ZM, ZW.

[Continued on next page]

(54) Title: INTERSOMATIC CAGE, INTERVERTEBRAL PROSTHESIS, ANCHORING DEVICE AND IMPLANTATION INSTRUMENTS

FIGURE 8B

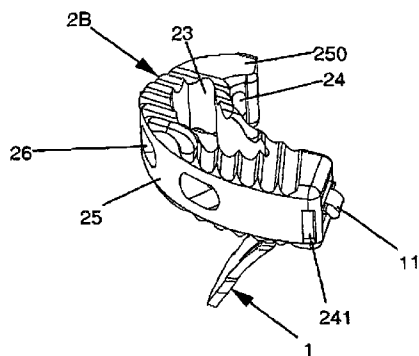
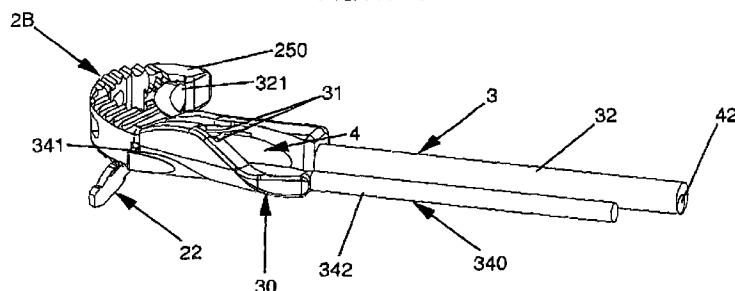


FIGURE 9A



(57) Abstract: An intersomatic cage, an intervertebral prosthesis, an anchoring device and an instrument for implantation of the cage or the prosthesis and the anchoring device are provided, as well as a system and a method for implanting spinal implants and anchoring devices in vertebrae. An intersomatic cage or an intervertebral prosthesis fit closely to the anchoring device (1), which includes a body (10) of elongated shape on a longitudinal axis, of curved shape describing, along the longitudinal axis, an arc whose dimensions and radius of curvature are designed in such a manner that the anchoring device (1) may be implanted in the vertebral plate of a vertebra by presenting its longitudinal axis substantially along the plane of the intervertebral space, where the anchoring device (1) is inserted, by means of the instrument, through a slot located in at least one peripheral wall of the cage (2A, 2B) or on at least one plate of the intervertebral disc prosthesis (2C) to penetrate into at least one vertebral plate.



WO 2008/149223 A3



(84) **Designated States** (*unless otherwise indicated, for every kind of regional protection available*): ARIPO (BW, GH, GM, KE, LS, MW, MZ, NA, SD, SL, SZ, TZ, UG, ZM, ZW), Eurasian (AM, AZ, BY, KG, KZ, MD, RU, TJ, TM), European (AT, BE, BG, CH, CY, CZ, DE, DK, EE, ES, FI, FR, GB, GR, HR, HU, IE, IS, IT, LT, LU, LV, MC, MT, NL, NO, PL, PT, RO, SE, SI, SK, TR), OAPI (BF, BJ, CF, CG, CI, CM, GA, GN, GQ, GW, ML, MR, NE, SN, TD, TG).

Published:

- *with international search report*
- *before the expiration of the time limit for amending the claims and to be republished in the event of receipt of amendments*

(88) **Date of publication of the international search report:**

2 April 2009

INTERNATIONAL SEARCH REPORT

International application No

PCT/IB2008/001484

A. CLASSIFICATION OF SUBJECT MATTER

INV. A61F2/44 A61F2/46 A61B17/064

According to International Patent Classification (IPC) or to both national classification and IPC

B. FIELDS SEARCHED

Minimum documentation searched (classification system followed by classification symbols)

A61F A61B

Documentation searched other than minimum documentation to the extent that such documents are included in the fields searched

Electronic data base consulted during the international search (name of data base and, where practical, search terms used)

EPO-Internal

C. DOCUMENTS CONSIDERED TO BE RELEVANT

Category*	Citation of document, with indication, where appropriate, of the relevant passages	Relevant to claim No.
X	WO 02/13732 A (BRAMLET DALE G [US]) 21 February 2002 (2002-02-21)	1-4,6,45
Y	page 4, line 6 - page 12, line 6	1,4-9
Y	FR 2 891 135 A (LDR MEDICAL SARL [FR]) 30 March 2007 (2007-03-30)	1,4-7,9
	page 13, line 15 - page 14, line 20 claims 1,5	
Y	FR 2 846 550 A (LDR MEDICAL [FR]) 7 May 2004 (2004-05-07)	7,8
	page 7, line 22 - page 9, line 4	
X,P	WÓ 2007/078978 A (INTRINSIC THERAPEUTICS INC [US]; BOYAJIAN THOMAS [US]; VELAGIC ALMIR []) 12 July 2007 (2007-07-12)	1-6
	paragraphs [0054] - [0078]	
	-/--	

Further documents are listed in the continuation of Box C.

See patent family annex.

* Special categories of cited documents :

- *A* document defining the general state of the art which is not considered to be of particular relevance
- *E* earlier document but published on or after the international filing date
- *L* document which may throw doubts on priority claim(s) or which is cited to establish the publication date of another citation or other special reason (as specified)
- *O* document referring to an oral disclosure, use, exhibition or other means
- *P* document published prior to the international filing date but later than the priority date claimed

- *T* later document published after the international filing date or priority date and not in conflict with the application but cited to understand the principle or theory underlying the invention
- *X* document of particular relevance; the claimed invention cannot be considered novel or cannot be considered to involve an inventive step when the document is taken alone
- *Y* document of particular relevance; the claimed invention cannot be considered to involve an inventive step when the document is combined with one or more other such documents, such combination being obvious to a person skilled in the art.
- * & * document member of the same patent family

Date of the actual completion of the international search

31 October 2008

Date of mailing of the international search report

16/02/2009

Name and mailing address of the ISA/

European Patent Office, P.B. 5818 Patentlaan 2
NL - 2280 HV Rijswijk
Tel. (+31-70) 340-2040,
Fax: (+31-70) 340-3016

Authorized officer

Buchmann, Gerhard

INTERNATIONAL SEARCH REPORT

International application No
PCT/IB2008/001484

C(Continuation). DOCUMENTS CONSIDERED TO BE RELEVANT		
Category*	Citation of document, with indication, where appropriate, of the relevant passages	Relevant to claim No.
A	WO 03/005939 A (LDR MEDICAL [FR]; LOUIS CHRISTIAN [FR]; HUPPERT JEAN [FR]; TROPIANO PA) 23 January 2003 (2003-01-23) cited in the application figures 3b,3c	1-9
X	DE 43 28 690 A1 (MAN CERAMICS GMBH [DE] SDGI HOLDINGS INC [US]) 2 March 1995 (1995-03-02) column 12, lines 29-40	1,45

INTERNATIONAL SEARCH REPORT

International application No.
PCT/IB2008/001484

Box No. II Observations where certain claims were found unsearchable (Continuation of item 2 of first sheet)

This international search report has not been established in respect of certain claims under Article 17(2)(a) for the following reasons:

1. Claims Nos.: 47
because they relate to subject matter not required to be searched by this Authority, namely:
Rule 39.1(iv) PCT - Method for treatment of the human or animal body by surgery
2. Claims Nos.:
because they relate to parts of the international application that do not comply with the prescribed requirements to such an extent that no meaningful international search can be carried out, specifically:
3. Claims Nos.:
because they are dependent claims and are not drafted in accordance with the second and third sentences of Rule 6.4(a).

Box No. III Observations where unity of invention is lacking (Continuation of item 3 of first sheet)

This International Searching Authority found multiple inventions in this international application, as follows:

see additional sheet

1. As all required additional search fees were timely paid by the applicant, this international search report covers allsearchable claims.
2. As all searchable claims could be searched without effort justifying an additional fees, this Authority did not invite payment of additional fees.
3. As only some of the required additional search fees were timely paid by the applicant, this international search report covers only those claims for which fees were paid, specifically claims Nos.:
4. No required additional search fees were timely paid by the applicant. Consequently, this international search report is restricted to the invention first mentioned in the claims; it is covered by claims Nos.:

see additional sheet(s)

Remark on Protest

- The additional search fees were accompanied by the applicant's protest and, where applicable, the payment of a protest fee.
- The additional search fees were accompanied by the applicant's protest but the applicable protest fee was not paid within the time limit specified in the invitation.
- No protest accompanied the payment of additional search fees.

FURTHER INFORMATION CONTINUED FROM PCT/ISA/ 210

This International Searching Authority found multiple (groups of) inventions in this international application, as follows:

1. claims: 1-9, 45

An anchoring device comprising a curved elongate body.

2. claims: 10-33

An intervertebral implant (intervertebral cage or prosthesis) comprising an orifice traversing a portion of the implant from a peripheral wall.

3. claims: 34-44,46

An instrument for the implantation of a spinal implant and of an anchoring device.

INTERNATIONAL SEARCH REPORT

International application No
PCT/IB2008/001484

Patent document cited in search report		Publication date	Patent family member(s)	Publication date
WO 0213732	A	21-02-2002	AU 7799301 A US 6447546 B1	25-02-2002 10-09-2002
FR 2891135	A	30-03-2007	CA 2622028 A1 CN 101296671 A EP 1968500 A1 WO 2007034310 A1 KR 20080046290 A US 2007073404 A1	29-03-2007 29-10-2008 17-09-2008 29-03-2007 26-05-2008 29-03-2007
FR 2846550	A	07-05-2004	AU 2003276503 A1 BR 0315914 A CA 2504583 A1 CN 1720010 A EP 1562525 A1 WO 2004041129 A1 JP 2006505320 T KR 20050062786 A MX PA05004788 A RU 2338488 C2 US 2006155377 A1	07-06-2004 13-09-2005 21-05-2004 11-01-2006 17-08-2005 21-05-2004 16-02-2006 27-06-2005 18-08-2005 20-11-2008 13-07-2006
WO 2007078978	A	12-07-2007	AU 2006332933 A1 CA 2635537 A1 EP 1968464 A2 KR 20080089612 A US 2007260249 A1	12-07-2007 12-07-2007 17-09-2008 07-10-2008 08-11-2007
WO 03005939	A	23-01-2003	BR 0211086 A CA 2451989 A1 CN 1527688 A EP 1406563 A2 FR 2827156 A1 JP 2004533903 T MX PA04000273 A US 2004199254 A1	15-06-2004 23-01-2003 08-09-2004 14-04-2004 17-01-2003 11-11-2004 07-03-2005 07-10-2004
DE 4328690	A1	02-03-1995	AT 180157 T CA 2129938 A1 EP 0641547 A2 US 5571109 A	15-06-1999 27-02-1995 08-03-1995 05-11-1996