



- (51) **International Patent Classification:**
A61M 1/00 (2006.01) *A61M 5/158* (2006.01)
- (21) **International Application Number:**
PCT/US2012/047708
- (22) **International Filing Date:**
20 July 2012 (20.07.2012)
- (25) **Filing Language:** English
- (26) **Publication Language:** English
- (30) **Priority Data:**
61/510,242 21 July 2011 (21.07.2011) US
- (71) **Applicant (for all designated States except US):** **THE GENERAL HOSPITAL CORPORATION** [US/US]; 55 Fruit Street, Boston, MA 02114 (US).
- (72) **Inventor; and**
- (75) **Inventor/Applicant (for US only):** **AUSTEN, William, G., JR.** [US/US]; 3 Brown Street, Weston, MA 02493 (US).
- (74) **Agents:** **ABELEV, Gary** et al.; Dorsey Whitney LLP, 51 West 52nd Street, New York, NY 10019 (US).
- (81) **Designated States (unless otherwise indicated, for every kind of national protection available):** AE, AG, AL, AM, AO, AT, AU, AZ, BA, BB, BG, BH, BR, BW, BY, BZ, CA, CH, CL, CN, CO, CR, CU, CZ, DE, DK, DM, DO, DZ, EC, EE, EG, ES, FI, GB, GD, GE, GH, GM, GT, HN, HR, HU, ID, IL, IN, IS, JP, KE, KG, KM, KN, KP, KR, KZ, LA, LC, LK, LR, LS, LT, LU, LY, MA, MD, ME, MG, MK, MN, MW, MX, MY, MZ, NA, NG, NI, NO, NZ, OM, PE, PG, PH, PL, PT, QA, RO, RS, RU, RW, SC, SD, SE, SG, SK, SL, SM, ST, SV, SY, TH, TJ, TM, TN, TR, TT, TZ, UA, UG, US, UZ, VC, VN, ZA, ZM, ZW.
- (84) **Designated States (unless otherwise indicated, for every kind of regional protection available):** ARIPO (BW, GH, GM, KE, LR, LS, MW, MZ, NA, RW, SD, SL, SZ, TZ, UG, ZM, ZW), Eurasian (AM, AZ, BY, KG, KZ, RU, TJ, TM), European (AL, AT, BE, BG, CH, CY, CZ, DE, DK, EE, ES, FI, FR, GB, GR, HR, HU, IE, IS, IT, LT, LU, LV, MC, MK, MT, NL, NO, PL, PT, RO, RS, SE, SI, SK, SM, TR), OAPI (BF, BJ, CF, CG, CI, CM, GA, GN, GQ, GW, ML, MR, NE, SN, TD, TG).
- Published:**
— with international search report (Art. 21(3))

(54) **Title:** METHOD AND APPARATUS FOR DAMAGE AND REMOVAL OF FAT

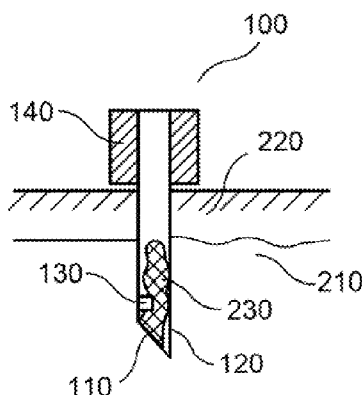


FIG. 2A

(57) **Abstract:** Exemplary embodiments of method and apparatus are provided for damaging and/or removing portions of subcutaneous fatty tissue while leaving the overlying dermal layer of the skin substantially undamaged. One or more hollow needles can be provided that include an arrangement within the lumen configured to retain or damage portions of fatty tissue that enter the lumen. Properties of the needle can be selected such that the needle can be inserted into skin and pass through the dermal layer, allowing fatty tissue to enter the distal portion of the lumen as it is advanced further, and then leaving the dermis undamaged when withdrawn. Such exemplary apparatus can include a plurality of such needles, a reciprocating arrangement to mechanically advance and withdraw the one or more needles, and/or a vibrating arrangement.



METHOD AND APPARATUS FOR DAMAGE AND REMOVAL OF FAT**CROSS REFERENCE TO RELATED APPLICATION**

[0001] The present application relates to and claims priority from U.S. Provisional Patent Application Serial No. 61/510,242 filed July 21, 2011, the disclosure
5 of which is incorporated herein by reference in its entirety.

FIELD OF THE DISCLOSURE

[0002] The present disclosure relates to methods and apparatus for removing or damaging small regions of fatty tissue, e.g., subcutaneous fat, while reducing or avoiding significant damage to the overlying tissue, e.g., the dermis and epidermis.

BACKGROUND INFORMATION

[0003] Procedures and devices for removing fatty tissue, e.g. for cosmetic reasons, are common and represent a significant market in the cosmetic procedures sector. Conventional fat-removal procedures and devices, e.g., liposuction, can be disruptive to surrounding tissue and often includes many risks such as excessive
15 bleeding, etc. There are relatively few procedures for removal of small amounts of fatty tissue, e.g., subcutaneous fat, for cosmetic purposes and such procedures generally require a skilled practitioner for effective removal and can be very time-consuming and subject to complications.

[0004] Accordingly, there may be a need to provide simpler and safer method
20 and apparatus for removal of subcutaneous fatty tissue that addresses and/or reduces the limitations described above.

SUMMARY OF THE DISCLOSURE

[0005] The present disclosure describes exemplary embodiments of simple, inexpensive, and safe methods and devices for affecting fatty tissue, e.g., subcutaneous
25 fat, while reducing or avoiding significant damage to the overlying tissue, such as the dermis and epidermis. Such methods and apparatus can provide removal of small portions of subcutaneous fatty tissue, which may optionally be implanted in other parts of the body or used to harvest stem cells present therein. Methods and apparatus for

locally disrupting small regions of fatty tissue, which may then be resorbed by the body, are also described.

[0006] An exemplary apparatus according to the present disclosure can be provided that includes a hollow needle and at least one protrusion provided on an inner wall of the hollow needle. The hollow needle can be configured to be inserted into a biological tissue such as skin, such that the needle penetrates the upper tissue layers. The size and geometry of the needle can be configured such that softer or less resilient subsurface tissue, e.g., subcutaneous fat, can enter the hollow core of the needle when the distal end of the needle advances into the fat. The protrusion can be configured to facilitate retention of a portion of the fat when the needle is withdrawn from the tissue.

[0007] In a further exemplary embodiment of the present disclosure, a plurality of such hollow needles that include internal protrusions can be affixed to a substrate. The substrate and needles can be arranged to control and/or limit the depth of penetration of the needles into the tissue when the substrate is placed on the tissue surface. For example, the lengths of the distal ends of the needles protruding from a lower surface of the substrate can be selected to correspond to a depth within the fatty tissue below the skin surface.

[0008] In further exemplary embodiments of the present disclosure, the hollow needle can include a pivoting flap or one or more barbs provided within the lumen to facilitate detachment and removal of portions of the fat by the needle.

[0009] In yet further exemplary embodiments of the present disclosure, the hollow needle can include a cutting arrangement provided within the lumen to facilitate mechanical damage and/or disruption of portions of the fat by the needle.

[00010] In a another exemplary embodiment of the present disclosure, the exemplary apparatus can further include a vacuum source provided in communication with the proximal ends of the needles, which can facilitate separation and/or removal of portions of the fat from the surrounding tissue when the needle is inserted and withdrawn.

[00011] In a still further exemplary embodiment of the present disclosure, the exemplary apparatus can include a reciprocating arrangement affixed to the one or more needles. The reciprocating arrangement can include a motor or other actuator configured to repeatedly advance and withdraw the needles relative to the tissue. The

reciprocating arrangement can be provided in a housing that facilitates manipulation of the apparatus, e.g., placement of the apparatus on the tissue being treated and/or traversing the apparatus over the tissue. The housing can optionally be configured to stretch or otherwise stabilize the tissue proximal to the needle(s) being inserted, to
5 reduce deformation of the tissue and/or improve accuracy of the placement of the needle(s) in the tissue. The reciprocating arrangement can further include a translational controller configured to translate the needles over the tissue in at least one direction, and optionally in two orthogonal directions, to facilitate removal or harvesting of fat from larger regions of a donor tissue site without translating the entire
10 apparatus over the tissue surface.

[00012] In yet another exemplary embodiment of the present disclosure, the exemplary apparatus can include a vibrating arrangement mechanically coupled to the one or more needles. The vibrating arrangement can facilitate improved removal and/or disruption of the fat tissue by the needles.

15 [00013] These and other objects, features and advantages of the present disclosure will become apparent upon reading the following detailed description of exemplary embodiments of the present disclosure, when taken in conjunction with the appended drawings and claims.

BRIEF DESCRIPTION OF THE DRAWINGS

20 [00014] Further objects, features and advantages of the present disclosure will become apparent from the following detailed description taken in conjunction with the accompanying figures showing illustrative embodiments, results and/or features of the exemplary embodiments of the present disclosure, in which:

[00015] FIG. 1A is a cross-sectional side view of an exemplary apparatus for
25 removal of subsurface fatty tissue in accordance with exemplary embodiments of the present disclosure;

[00016] FIG. 1B is a lateral cross-sectional view of the exemplary apparatus shown in FIG. 1A according to a first embodiment of the present disclosure;

FIG. 1C is a lateral cross-sectional view of the exemplary apparatus shown in
30 FIG. 1A according to a second embodiment of the present disclosure;

[00017] FIGS. 2A-2C are schematic side views of the exemplary apparatus shown in FIG. 1A being used to remove subsurface fatty tissue in accordance with exemplary embodiments of the present disclosure;

5 [00018] FIG. 3A is a cross-sectional side view of a second exemplary apparatus for removal of subsurface fatty tissue in accordance with further exemplary embodiments of the present disclosure;

[00019] FIG. 3B is a schematic frontal view of a first exemplary embodiment of the exemplary apparatus shown in FIG. 3A;

10 [00020] FIG. 3C is a schematic frontal view of a second exemplary embodiment of the exemplary apparatus shown in FIG. 3A;

[00021] FIG. 4 is a cross-sectional side view of a third exemplary apparatus for removal of subsurface fatty tissue in accordance with still further exemplary embodiments of the present disclosure;

15 [00022] FIG. 5A is a cross-sectional side view of a fourth exemplary apparatus for removal of subsurface fatty tissue in accordance with still further exemplary embodiments of the present disclosure;

[00023] FIGS. 5B and 5C are schematic side views of the exemplary apparatus shown in FIG. 5A illustrating removal of subsurface fatty tissue in accordance with exemplary embodiments of the present disclosure;

20 [00024] FIG. 6A is a view of one end of a first exemplary embodiment of the exemplary apparatus shown in FIG. 5A;

[00025] FIG. 6B is a view of one end of a second exemplary embodiment of the exemplary apparatus shown in FIG. 5A;

25 [00026] FIG. 7 is a cross-sectional side view of a fifth exemplary apparatus for removal of subsurface fatty tissue in accordance with still further exemplary embodiments of the present disclosure;

[00027] FIG. 8A is a cross-sectional side view of an exemplary apparatus for damage or disruption of subsurface fatty tissue in accordance with yet further exemplary embodiments of the present disclosure;

30 [00028] FIG. 8B is a view of one end of a first exemplary variant of the exemplary apparatus shown in FIG. 8A; and

[00029] FIG. 8C is a view of one end of a second exemplary variant of the exemplary apparatus shown in FIG. 8A.

[00030] Throughout the drawings, the same reference numerals and characters, unless otherwise stated, are used to denote like features, elements, components, or portions of the illustrated embodiments. Moreover, while the present disclosure will now be described in detail with reference to the figures, it is done so in connection with the illustrative embodiments and is not limited by the particular embodiments illustrated in the figures and the appended claims.

DETAILED DESCRIPTION

10 [00031] Exemplary embodiments of the present disclosure can provide a method and apparatus for removing or locally damaging or disrupting soft tissue, e.g., subcutaneous fat, while reducing or avoiding significant damage to the overlying tissue, e.g., the dermis and epidermis in skin. Exemplary embodiments of the present disclosure can thereby facilitate removal, harvesting or disruption of subsurface tissue while avoiding and/or minimizing adverse effects such as scarring, bleeding, likelihood of infection, etc.

[00032] A cross-sectional view of an exemplary apparatus 100 for removing fatty tissue is shown in FIG. 1A. The exemplary apparatus 100 can include a hollow needle 120 having a central lumen that further includes at least one protrusion 130 provided along at least a portion of an inner surface thereof, e.g., extending into a portion of the central lumen. An open distal end 110 of the needle 120 can be provided with a sharpened and/or angled edge to facilitate insertion of the needle 120 into skin or other tissue. For example, the distal end 110 of the needle 120 can be provided as a wedge shape that can be formed, e.g., by grinding the end of the needle 120 at an acute angle relative to its longitudinal axis. The angle of the distal end can be, e.g., approximately 45 degrees, or between about 30 degrees and about 50 degree, which can provide the tissue-selective penetration characteristics described herein. These exemplary angles can be used with any of the exemplary embodiments described herein.

30 [00033] The protrusion 130 can be provided along the inner surface of a shorter side of the angled or tapered end 110 of the needle 120. A handle 140 and/or other

gripping arrangement can be provided at a proximal portion of the needle 120 to facilitate holding and manipulating the needle 120.

[00034] A frontal view of the exemplary apparatus 100 is shown in FIG. 1B. The protrusion 130 can be configured to block and/or occlude a portion of the hollow center of the needle 120. The exemplary protrusion 130 shown in FIG. 1B can include
5 a substantially straight edge provided towards the center of the hollow core of the needle 120. A further exemplary protrusion 130 is shown in FIG. 1C that includes a curved edge oriented towards the center of the hollow core of the needle 120. Other shapes for the protrusion 130 can also be used in further exemplary embodiments of the present disclosure. A plurality of such protrusions 130 can also be provided in the
10 needle 120. The cross-sectional shape of the exemplary needle 120 shown in FIG. 1B is substantially round. The needles 120 having other cross-sectional shapes can also be used, e.g., needles 120 can be provided that have oval, square, or triangular cross-sections, etc.

[00035] For example, the protrusion 130 can block less than about 50% of the cross-sectional area of the hollow center, or optionally less than about 30% of this area. The protrusion 130 can block more than about 10% of the cross-sectional area, or more than about 20% of this area. The size and shape of the protrusion 130 can be configured to facilitate a retention of fatty tissue in the hollow core of the needle 120 as
15 described herein.

[00036] The exemplary apparatus 100 can be inserted into a dermal tissue such that the distal end 110 penetrates at least partially into the subcutaneous fatty layer 210 beneath the dermis 220, as shown in FIG. 2. A portion 230 of the fatty tissue can be present within the hollow core of the needle 120 after such insertion. The exemplary
25 apparatus 100 can then be withdrawn from the dermal tissue. As shown in FIG. 2B, the portion 230 of the fatty tissue can also be removed from the fatty layer 210, and can remain inside the hollow needle 210. The protrusion 130 can facilitate the removal of the portion 230 of the fatty tissue from the fatty layer 210. After the removal of the exemplary apparatus 100 from the dermal tissue, the dermal layer can collapse around
30 the insertion path, as shown in FIG. 2C, and subsequently heal, whereas a portion 230 of fat from the fatty layer 210 has been removed. Accordingly, such exemplary method

and apparatus can facilitate the removal of the subcutaneous fat 230 with a relatively little disturbance of the overlying dermis 220.

5 [00037] The diameter of the needle 120 can be selected to facilitate the insertion through the dermal layer 220 without removing a substantial amount of the dermal tissue, as well as separation and removal of the portion 230 of the fatty tissue, as described herein. For example, the needle 120 can have the size of a conventional 16 gauge needle, or between 14 gauge and 19 gauge. Such needle diameters can provide the tissue-selective penetration properties described herein when the apparatus 100 is inserted into skin. The diameter of the central lumen of the needle 120 can be, e.g.,
10 about 1 mm or about 1.25 mm. These exemplary needle sizes can be used with any of the exemplary embodiments described herein. Larger or smaller needle sizes may also be used in embodiments of the present disclosure if they exhibit the selective tissue properties described herein, e.g., if the methods and apparatus described herein are being used on tissues other than skin.

15 [00038] In exemplary embodiments of the present disclosure, the angled or tapered distal end 110 of the needle 120 as described herein can divert or push aside the resilient dermal tissue 220 as the needle 120 is inserted. As the needle 120 penetrates further into the fatty layer 210, the portion 230 of the softer fatty tissue can be more easily separated from the surrounding fatty layer 210, and enter the hollow core of the
20 needle 120. The protrusion 130 can anchor the portion 230 of fatty tissue within the needle 120, and facilitate its separation and removal from the surrounding fatty layer 210 when the exemplary apparatus 100 is withdrawn from the dermal tissue. The exemplary apparatus 100 can be inserted and removed a plurality of times to remove further portions 230 of the fatty tissue.

25 [00039] A further exemplary apparatus 300 for removal of subcutaneous fat according to the present disclosure is shown in FIG. 3A. This exemplary apparatus 300 can include a plurality of needles 120 affixed to a substrate 330. The substrate 330 can have a substantially flat lower surface from which the needles 120 protrude, or this surface may be curved or otherwise contoured, e.g., to more closely match a contour of
30 the surface of the dermal tissue being treated.

[00040] A frontal view of the exemplary apparatus 300 is shown in FIG. 3B. The needles 120 can be arranged in a square or rectangular pattern, as shown in FIG.

3B. Alternatively, the rows of needles 120 can be offset or staggered to form a triangular pattern, as shown in FIG. 3C. Other exemplary arrangements of needles 120 can also be used, such as a spatially random distribution of the needles 120 on the substrate 330. The number of the needles 120 and spacing between adjacent ones of the needles 120 can be selected based on the particular tissue being treated, the amount of fat to be removed, etc.

[00041] The protrusion distance of the needles 120 from the lower surface of the substrate 330 can also be selected based on a local depth of the subcutaneous fatty layer 210 and the depth to which the fatty tissue is to be removed. For example, the exemplary apparatus 300 can include an arrangement configured to adjust the protrusion distance of the needles 120. Such arrangement can include, e.g., a plate or the like affixed to the substrate 330 such that the needles 120 pass through the plate. The distance between the plate and the substrate 330 can be adjustable to vary the distance that the needles 120 protrude from the lower surface of the plate. Other exemplary arrangements that can facilitate the adjustment of the effective length of the needles 120 protruding from the bottom of the apparatus 300 may also be used. The location of the one or more protrusions 130 within the needles 120 can also be selected to control the size or height of the tissue samples 230 that may be retained and removed in the needles 120 when they are inserted into and withdrawn from the tissue, as described herein.

[00042] The exemplary apparatus 300 can be pressed into the dermal tissue and subsequently withdrawn, such that the needles 120 penetrate into the fatty layer 210 and remove portions of the tissue sample 230 of the fatty tissue from the fatty layer 210, as described herein and shown in FIGS. 2A-2C for a single needle 210. The exemplary apparatus 300 can facilitate removal or harvesting of a larger amount of fatty tissue with a single insertion and withdrawal of the exemplary apparatus 300 from the dermal tissue.

[00043] A still further exemplary apparatus 400 according to the present disclosure is shown in FIG. 4 that includes one or more needles 120 as described herein, which can be affixed to a reciprocating arrangement 420 provided within a housing 430. The housing 430 can also include a handle 410. The reciprocating arrangement 420 can be configured to displace the needle 120 back and forth along a

direction that can be substantially parallel to the axis of the needle 120. For example, the reciprocating arrangement 420 can be powered by a motor or the like, and/or controlled by a switch that can turn the reciprocating arrangement 420 on and off, and can further control the reciprocating frequency and/or protrusion distance of the needle 120 below the lower surface of the housing 430. The exemplary apparatus 400 can be traversed over a region of skin to be treated such that the one or more needles 120 can be repeatedly inserted and withdrawn from the tissue, removing a portion of fatty tissue upon each withdrawal as described herein. The penetration depth of the needles 120 can be determined by the configuration of the reciprocating arrangement 420.

10 [00044] In a further exemplary embodiment according to the present disclosure, the reciprocating arrangement 420 can further include a translational mechanism configured to translate the one or more needles 120 over the tissue surface in one or two orthogonal directions. For example, the reciprocating arrangement 420 can be configured to translate such one or more needles 120 over an area of the tissue while the exemplary apparatus 400 is held stationary with respect to the tissue surface at a donor or treatment site. In one exemplary embodiment of the present disclosure, the reciprocating arrangement 420 can be configured to translate the one or more needles 120 along a single direction to harvest fatty tissue along one or more rows. The exemplary apparatus 400 can optionally be translated over the tissue surface after such rows are formed, e.g., in a direction that is not parallel to the row, to remove or harvest fatty tissue from a larger area of the donor tissue site.

15 [00045] In further exemplary embodiments of the present disclosure, any of the exemplary apparatuses described herein can be configured to remove or harvest fatty tissue from a plurality of locations in any of a variety of spatial distributions, where each location can correspond to a single insertion and withdrawal of a single needle 120. For example, the fatty tissue can be removed or harvested from a plurality of locations configured as one or more rows, a regular two-dimensional pattern, a random distribution, or the like. Such exemplary patterns or spatial distributions of fat harvesting or removal sites can be generated based on, e.g., the configuration of such one or more needles 120 provided, the properties of the reciprocating arrangement 420, and/or the rate of translation of the exemplary apparatus 400 over the tissue surface.

[00046] In still further exemplary embodiments according to the present disclosure, the housing 430 can be configured to stretch skin or other tissue when the exemplary apparatus 400 is placed on the tissue to be treated. Such stretching can facilitate mechanical stabilization of the tissue, e.g., to reduce or avoid deformation of the tissue 350 while the needles 120 are inserted into and withdrawn from the tissue. Such stretching of the tissue can also reduce the effective size of the disrupted region of the upper tissue layers formed by the exemplary apparatus 400 when the tissue is allowed to relax after treatment. Alternatively, the surface of the tissue to be treated can be stretched or stabilized using other techniques prior to and/or during treatment of the region in accordance with any of the exemplary embodiments described herein.

[00047] For example, a vacuum or suction source, e.g. a pump or a reservoir containing a fluid under low-pressure, can be provided in communication with the lumen of the needle 120, e.g., via a conduit in communication with the proximal end of the needles 120, in any of the exemplary embodiments described herein. Such low pressure, e.g., pressure less than atmospheric or ambient pressure, provided in the central lumen can facilitate the removal of the portions 230 of fatty tissue when the distal ends of the needles 120 are located within the subcutaneous fat layer 210. For example, the exemplary devices described herein can be configured to provide such a vacuum when the distal ends of the needles 120 are at least partially inserted into the fatty layer 210, and such vacuum may be applied as the needles 120 are withdrawn from the fatty layer 210. The strength of the vacuum can be selected to facilitate removal of the portions 230 of the fatty tissue within the distal portions of the needles 120, without causing a significant damage to the tissue surrounding the inserted needles 120.

[00048] In another exemplary embodiment of the present disclosure, an apparatus 500 can be provided that is adapted to remove fatty tissue is shown in FIG. 5A. The exemplary apparatus 500 can include a hollow needle 120 having a central lumen, where the size and shape of the needle 120 and distal end 110 thereof can be similar to those described herein above for the apparatus 100 shown in FIG. 1A. The apparatus 500 can include at least one pivoting flap 510 within the lumen of the needle 120. The flap 510 can be provided in the distal portion of the needle 120, e.g., and

configured such that one portion of the flap 510 is pivotally connected to an inside wall of the needle 120 at a pivot point 520.

5 **[00049]** A stop arrangement 530 can be provided on another location on the inside wall of the needle 120 to constrain or prevent movement of the flap beyond a certain limit in a particular direction. For example, the stop arrangement 530 can be provided on an opposite side of the interior needle wall from the pivot point 520, as shown in FIG. 5A. In this exemplary configuration, the flap 510 can be free and configured to pivot upwards towards the proximal end of the needle 120, but may be constrained from pivoting towards the distal end 110 of the needle 120 past the stop arrangement 530. In further exemplary embodiments, the stop arrangement 530 can be provided at a location further up or down from the pivot point 520 (e.g., closer to or further from the distal end 110 of the needle 120). The stop arrangement 530 can also be provided on a lateral side of the interior needle wall, instead of diametrically opposite the pivot point 520 as illustrated in FIG. 5A. The stop arrangement 530 can be provided, e.g., by indenting an exterior portion of the needle wall such that the portion of the wall projects or bulges inward into the lumen of the needle 120. Alternatively, a small object can be affixed to the interior wall of the needle 120 to form the stop arrangement. Other techniques and configurations may also be used to provide the stop arrangement 530.

20 **[00050]** The exemplary apparatus 500 can be used to remove or harvest portions of fatty tissue in a manner similar to that described with respect to the exemplary apparatus 100 and shown in FIGS. 2A-2C. For example, the distal end 110 of the apparatus 500 can be advanced through the dermis 220 and into the subcutaneous fat layer 210, as shown in FIG. 5B. The exemplary apparatus 500 can be configured such that the distal end penetrates the dermis 220 with little or no portion of the dermal tissue entering the lumen of the needle 120. As the distal end 110 penetrates the fat layer 210, a portion 230 of softer fatty tissue may enter the lumen of the needle 120. The portion 230 can advance into the lumen, pushing the flap 510 upward and closer to the inner wall of the needle 120, as shown in FIG. 5B.

30 **[00051]** When the exemplary apparatus 500 is withdrawn from the skin, the fat portion 230 may be pulled downward slightly within the lumen, pulling or dragging the flap 510 with it towards the distal end 110 of the needle 120. For example, an edge of

the flap 510 may 'catch' or penetrate the edge of the fat portion 230. As the flap 510 moves downward, it may partially or completely sever the fat portion 230 from the remainder of the subcutaneous fat below it, thereby retaining the fat portion 230 within the apparatus 500 as the apparatus 500 is withdrawn from the skin.

5 [00052] The flap 510 can be substantially round or moon shaped, e.g., such that it can block or occlude substantially the entire lumen when it is lowered against the stop arrangement 530. For example, an exemplary flap 510 is illustrated in FIG. 6A in a raised position (e.g., pivoted upward away from the distal end 110 of the needle 120). In this figure, the view of the flap 510 is from the distal end 110 of the needle 120
10 along the longitudinal axis thereof. In this exemplary configuration, the thin round flap is curved rather than planar, such that it can more closely conform to the shape of the inner wall of the needle 120 when pivoted upward as shown in FIG. 6A. Such a curved flap 510 can facilitate advancement of a fatty tissue 230 into the exemplary apparatus 500 by reducing or minimizing obstruction of the lumen when it is pivoted upward.

15 [00053] In a further exemplary embodiment, the flap 510 can be provided as a substantially rectangular shape or in another shape that does not fully occlude the lumen when the flap 510 is pivoted to a lowered position, e.g., resting against the stop arrangement 530, as shown in a view of an end the needle 120 in FIG. 6B. This exemplary flap shape can also be curved, similar to the flap 510 shown in FIG. 6A, to
20 reduce obstruction of the lumen when the flap 510 is pivoted in an upward position.

[00054] Any of the features of the exemplary apparatus 500 can be used in conjunction with the other exemplary embodiments described herein. For example, one or more needles 120 that include a pivoting flap 510, and the stop arrangement 530 can be affixed to a substrate 330, e.g., as shown in FIGS. 3A-3C. One or more such
25 needles 120 that include a pivoting flap 510 can also be coupled to a reciprocating arrangement 420 as illustrated in FIG. 4.

[00055] In a still further exemplary embodiment of the present disclosure, an apparatus 700 can be provided that includes one or more barbs 710 provided on the interior wall of the hollow needle 120. The barb 710 can be angled upward, e.g.,
30 sloping away from the distal end 110 of the needle 120, as shown in FIG. 7. Such exemplary configuration can facilitate an advancement of fatty tissue into the lumen as the apparatus 700 is advanced into the fat layer 210, while promoting retention of a fat

portion 230 within the lumen as the apparatus 700 is withdrawn from the skin. Such barbs can be formed, e.g., by deforming the outer wall of the needle 120 inward at an angle at one or more locations, by attaching pre-formed barbs 710 to the inside wall of the needle 120, or by other techniques. The features of the exemplary apparatus 700
5 can be used in conjunction with the other exemplary embodiments described herein. For example, a plurality of needles 120 that include one or more barbs 710 can be affixed to a substrate 330, e.g., as shown in FIGS. 3A-3C. One or more such needles 120 can also be coupled to a reciprocating arrangement 420 as illustrated in FIG. 4.

[00056] In further exemplary embodiments of the present disclosure, an
10 apparatus 800 can be provided that includes a cutting arrangement 810 provided in a distal portion of the lumen of the hollow needle 120, as shown in FIG. 8A. The apparatus 800 can facilitate mechanical disruption of fatty tissue 210 without removing a substantial amount thereof from the surrounding tissue. As with the other exemplary embodiments described herein, the exemplary apparatus 800 can affect tissue in the fat
15 layer 210 without significantly affecting or damaging the overlying dermal layer 220 when the apparatus 800 is withdrawn from the skin. For example, a generation of mechanical disruption in the fat layer 210 can lead to cellular damage and/or death. The damaged or dead cells may then be resorbed by the body over time, reducing the amount of fat present in the treated area.

[00057] The cutting arrangement 810 can include, for example, one or more thin
20 wires, blades, or the like that extend across a portion of the lumen of the needle 120. End views of two exemplary cutting arrangements 810 are shown in FIGS. 8B and 8C. The cutting arrangement 810 in FIGS. 8B and 8C can include a plurality of thin wires or blades attached to the inner wall of the needle 120, and traversing a portion of the
25 lumen. Other configurations of the cutting arrangement 810 can be provided in further embodiments of the disclosure.

[00058] The exemplary apparatus 800 can be inserted into skin tissue and then
withdrawn as described herein, for example, with respect to other exemplary
embodiments of the present disclosure. Such exemplary insertion and withdrawal of
30 the exemplary apparatus 800 can cause a portion of the fat layer 210 to enter the lumen of the needle 120, with the overlying dermis layer 220 remaining substantially unaffected after the apparatus 800 is fully withdrawn. The fat tissue that enters the

lumen may be damaged by the cutting arrangement 810 during the insertion and withdrawal procedures. The exemplary apparatus can may be partially withdrawn from the skin and then advanced again a plurality of times before fully withdrawing it from the skin. For example, the exemplary apparatus 800 can be withdrawn until the distal end 110 is proximal to the lower portion of the dermal layer 220, and then re-advanced deeper into the fat layer 210. Such repeated cycles can create a greater degree of local damage to the fat tissue. Little or no fat may remain within the lumen when the apparatus 800 is withdrawn from the skin. However, the damaged fat cells may die and be resorbed by the body over time.

10 [00059] The features of the exemplary apparatus 800 can be used in conjunction with the other exemplary embodiments described herein. For example, a plurality of needles 120 that include a cutting arrangement 810 can be affixed to a substrate 330, e.g., as shown in FIGS. 3A-3C. One or more such needles 120 can also be coupled to a reciprocating arrangement 420 as illustrated in FIG. 4, to generate damage in a broader region of the fat layer 210.

15 [00060] The exemplary apparatus 800 can include a plurality of needles 120 having different types of fat-disrupting arrangements as described herein. For example, different ones of the needles 120 may include a protrusion 130, a pivoting flap 510, or a cutting arrangement 810. In another exemplary embodiment, a plurality of needles 120 containing different types of such fat disruption arrangements 130, 510, 810 can be mechanically coupled to a reciprocating arrangement 420 as described herein. Different ones of the needles 120 in such multi-needle devices can optionally have different lengths, which can facilitate harvesting or damaging of fat at different depths within the fat layer 210.

25 [00061] In further exemplary embodiments of the present disclosure, a vibrating arrangement can be mechanically coupled to any exemplary apparatus described herein. Inducing vibration in the needles 120 can facilitate detachment of fat portions 230 from the surrounding tissue and/or can generate a greater mechanical damage by a cutting arrangement provided in the needle 120.

30 [00062] The exemplary methods and devices described herein can be used for a variety of purposes, for example, to remove small portions of the fatty tissue for cosmetic purposes, to harvest stem cells that may be present in regions of the

subcutaneous fat layer to harvest fatty tissue for implantation in other portions of the body for cosmetic purposes, and/or to generate mechanical damage of fat cells to promote cell death and resorption of damaged fat by the body.

[00063] The foregoing merely illustrates the principles of the present disclosure.

5 Various modifications and alterations to the described embodiments will be apparent to those skilled in the art in view of the teachings herein. It will thus be appreciated that those skilled in the art will be able to devise numerous techniques which, although not explicitly described herein, embody the principles of the present disclosure and are thus within the spirit and scope of the present disclosure. All patents and publications cited
10 herein are incorporated herein by reference in their entireties.

WHAT IS CLAIMED IS:

1. An apparatus for affecting a subcutaneous fatty tissue, comprising:
 - at least one hollow needle arrangement comprising a central lumen; and
 - 5 at least one protrusion provided along at least one portion of an interior wall of the needle arrangement and proximal to a distal end of the at least one needle arrangement,
 - wherein the at least one protrusion is structured to contact a portion of the subcutaneous fatty tissue when the at least one hollow needle arrangement is inserted
 - 10 into a skin tissue such that at least a distal portion thereof is located within the subcutaneous fatty tissue.

2. The apparatus of claim 1, wherein the distal end of the at least one needle arrangement is configured to be inserted into the skin tissue, pass through a dermal
- 15 layer thereof, and prevent a significant portion of a dermal tissue from entering the central lumen.

3. The apparatus of claim 2, wherein the distal end of the at least one needle arrangement is provided as an angled tip, and wherein an angle of the tip is between
- 20 about 30 degrees and about 50 degrees.

4. The apparatus of claim 2, wherein the distal end of the at least one needle arrangement is provided as an angled tip, and wherein an angle of the tip is about 45
- 25 degrees.

5. The apparatus of claim 2, wherein a diameter of the central lumen of the at least one needle arrangement is about 1 mm.

6. The apparatus of claim 2, wherein a diameter of the central lumen of the at least one
- 30 needle arrangement is about 1.25 mm.

7. The apparatus of claim 2, wherein a size of the at least one needle arrangement is between 14 gauge and 19 gauge.

5 8. The apparatus of claim 2, wherein a size of the at least one needle arrangement is 16 gauge.

9. The apparatus of claim 1, further comprising a reciprocating arrangement configured to repeatedly insert and withdraw the at least one needle arrangement to and from a skin tissue.

10

10. The apparatus of claim 9, wherein the reciprocating arrangement comprises an actuator and a control arrangement.

11. The apparatus of any of claims 1-10, wherein the at least one protrusion is configured to retain at least one sample of the subcutaneous fatty tissue within the central lumen when the at least one needle arrangement is withdrawn from the skin tissue.

15

12. The apparatus of claim 11, wherein the at least one protrusion occludes less than about 50% of the cross-sectional area of the central lumen.

20

13. The apparatus of claim 11, wherein the at least one protrusion occludes less than about 30% of the cross-sectional area of the central lumen.

14. The apparatus of claim 11, wherein the at least one needle arrangement comprises a plurality of the hollow needle arrangements, and wherein the hollow needle arrangements are mechanically coupled to a substrate.

25

15. The apparatus of claim 11, wherein the at least one protrusion comprises a flap pivotally affixed to the portion of the interior wall.

30

16. The apparatus of claim 15, further comprising a stop arrangement affixed to a further portion of the interior wall, wherein the stop arrangement is configured to prevent a free end of the flap from pivoting towards the distal end of the at least one needle arrangement beyond a particular limit.

5

17. The apparatus of claim 15, wherein the flap is curved.

18. The apparatus of claim 15, wherein a shape of the curved flap substantially correspond to a shape of the interior wall of the at least one needle arrangement.

10

19. The apparatus of claim 15, wherein the at least one needle arrangement comprises a plurality of the hollow needle arrangements, and wherein the hollow needle arrangements are mechanically coupled to a substrate.

15 20. The apparatus of claim 11, wherein the at least one protrusion comprises an angled barb directed toward the proximal end of the at least one needle arrangement.

21. The apparatus of claim 20, wherein the at least one needle arrangement comprises a plurality of the hollow needle arrangements, and wherein the hollow needle
20 arrangements are mechanically coupled to a substrate.

22. The apparatus of any of claims 1-10, wherein the at least one protrusion is configured to generate a mechanical damage in the portion of the subcutaneous fatty
tissue.

25

23. The apparatus of claim 22, wherein the at least one protrusion comprises a wire extending across at least a portion of the central lumen.

24. The apparatus of claim 22, wherein the at least one protrusion comprises a blade
30 extending across at least a portion of the lumen.

25. The apparatus of claim 22, wherein the at least one protrusion comprises a mesh extending across at least a portion of the lumen.
- 5 26. The apparatus of claim 22, wherein the at least one needle arrangement comprises a plurality of the hollow needle arrangements, and wherein the hollow needle arrangements are mechanically coupled to a substrate.
- 10 27. The apparatus of claim 10, further comprising a low-pressure source provided in communication with the central lumen.
28. The apparatus of claim 11, wherein the apparatus is configured to remove at least one hair bulb from the skin tissue.
- 15 29. The apparatus of claim 11, wherein the apparatus is configured to remove at least one sweat gland from the skin tissue.
30. A method for affecting subcutaneous fatty tissue, comprising:
 inserting at least one hollow needle arrangement into a skin tissue until
20 at least a distal portion of the needle arrangement is located within the subcutaneous fatty tissue; and
 withdrawing the at least one hollow needle arrangement from the skin tissue;
 wherein the at least one hollow needle arrangement is configured to
25 substantially prevent a dermal tissue from entering a lumen of the at least one hollow needle arrangement and to facilitate a portion of the subcutaneous fatty tissue to enter the lumen of the at least one hollow needle arrangement;
 wherein the at least one hollow needle arrangement comprises at least one protrusion provided along at least one portion of an interior wall of the needle
30 arrangement; and
 wherein the at least one protrusion is configured to affect the portion of the subcutaneous fatty tissue.

31. The method of claim 30, further comprising:

removing a sample of the portion of the fatty tissue from the skin tissue when the at least one hollow needle arrangement is withdrawn from the skin tissue.

5

32. The method of claim 30, further comprising:

generating mechanical damage to the portion of the fatty tissue when the at least one hollow needle arrangement is inserted into the skin tissue.

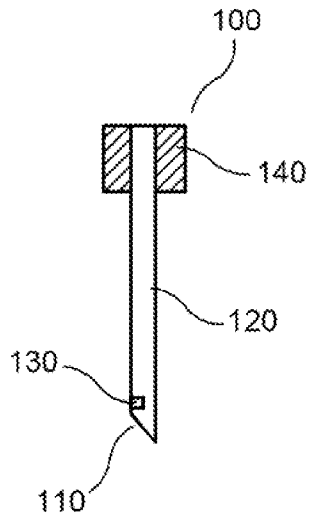


FIG. 1A

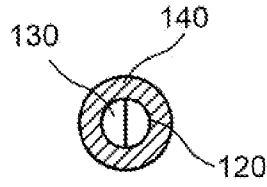


FIG. 1B

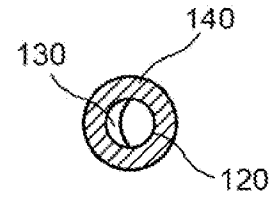


FIG. 1C

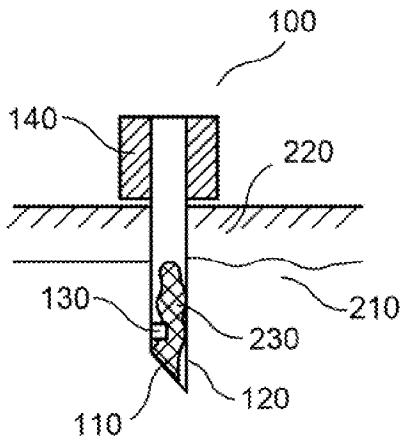


FIG. 2A

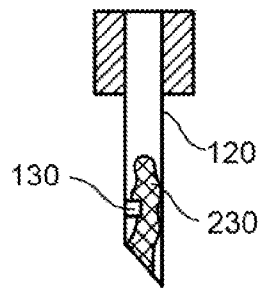


FIG. 2B

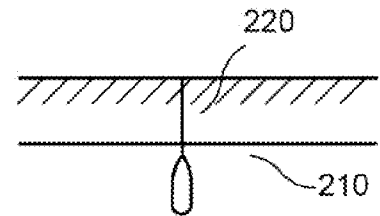


FIG. 2C

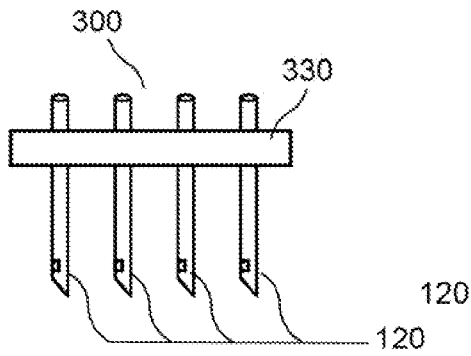


FIG. 3A

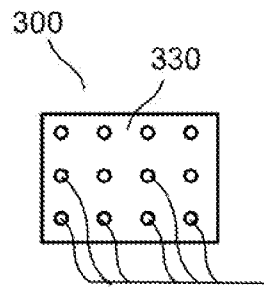


FIG. 3B

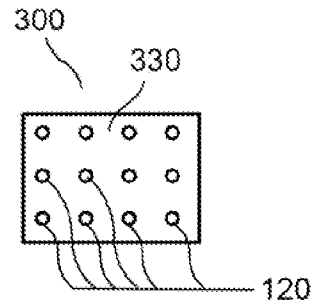


FIG. 3C

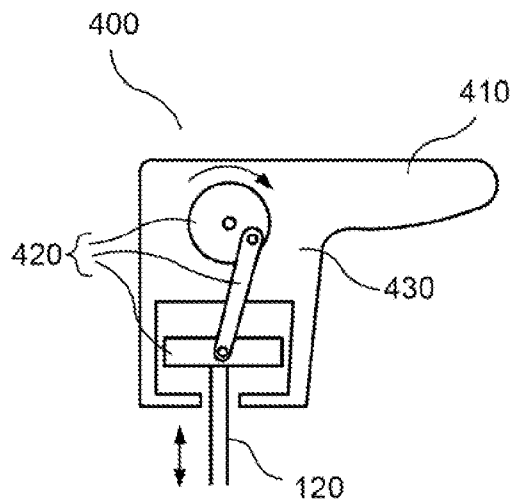


FIG. 4

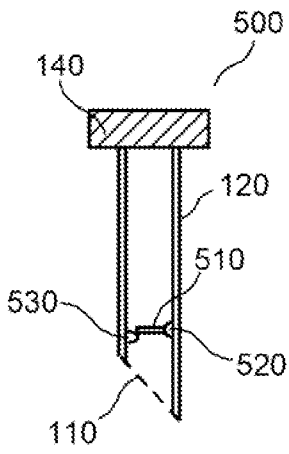


FIG. 5A

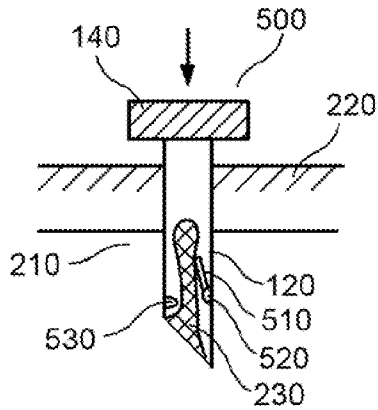


FIG. 5B

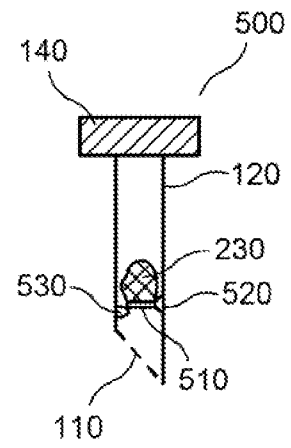


FIG. 5C

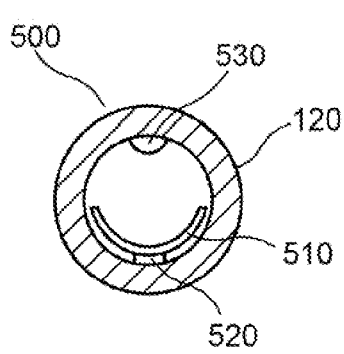


FIG. 6A

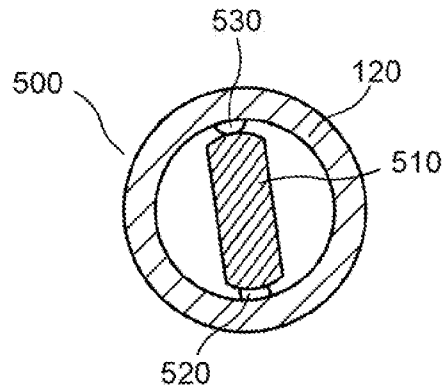


FIG. 6B

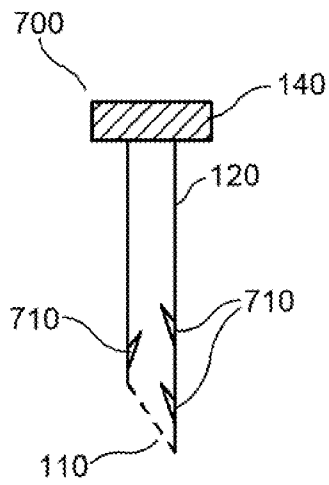


FIG. 7

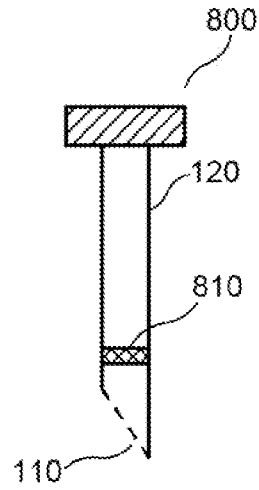


FIG. 8A

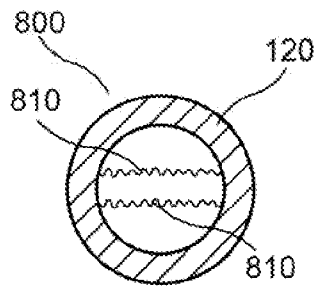


FIG. 8B

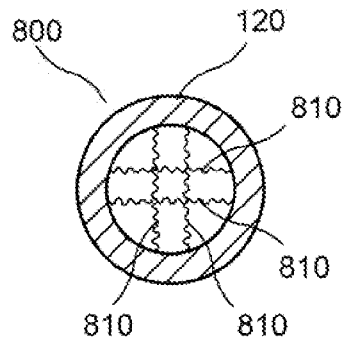


FIG. 8C

INTERNATIONAL SEARCH REPORT

International application No.

PCT/US 2012/047708

A. CLASSIFICATION OF SUBJECT MATTER		<i>A61M 1/00 (2006.01)</i> <i>A61M 5/158 (2006.01)</i>
According to International Patent Classification (IPC) or to both national classification and IPC		
B. FIELDS SEARCHED		
Minimum documentation searched (classification system followed by classification symbols)		
A61B 17/50, 10/00, 19/00, A61M 1/00, A61B 17/34, A61M 5/158		
Documentation searched other than minimum documentation to the extent that such documents are included in the fields searched		
Electronic data base consulted during the international search (name of data base and, where practicable, search terms used)		
USPTO, DEPATISnet, Esp@cenet, BD FIPS, EAPATIS, K-PION, SIPO, PubMed, SCOPUS		
C. DOCUMENTS CONSIDERED TO BE RELEVANT		
Category*	Citation of document, with indication, where appropriate, of the relevant passages	Relevant to claim No.
Y	US 2008/0312648 A1 (DARION PETERSON) 18.12.2008, fig. 1, 6, claims, paragraphs [0022], [0037] - [0038]	1-32
Y	RU 50799 U1 (MLPUZ "ONKOLOGICHESKIY DISPANSER G. ROSTOVA-NA-DONU") 27.01.2006, fig. 1	1-32
A	WO 2009/099988 A2 (THE GENERAL HOSPITAL CORPORATION) 13.08.2009, fig. 1-2, p. 12	1-32
<input type="checkbox"/> Further documents are listed in the continuation of Box C. <input type="checkbox"/> See patent family annex.		
* Special categories of cited documents:		
"A"	document defining the general state of the art which is not considered to be of particular relevance	"T" later document published after the international filing date or priority date and not in conflict with the application but cited to understand the principle or theory underlying the invention
"E"	earlier document but published on or after the international filing date	"X" document of particular relevance; the claimed invention cannot be considered novel or cannot be considered to involve an inventive step when the document is taken alone
"L"	document which may throw doubts on priority claim(s) or which is cited to establish the publication date of another citation or other special reason (as specified)	"Y" document of particular relevance; the claimed invention cannot be considered to involve an inventive step when the document is combined with one or more other such documents, such combination being obvious to a person skilled in the art
"O"	document referring to an oral disclosure, use, exhibition or other means	"&" document member of the same patent family
"P"	document published prior to the international filing date but later than the priority date claimed	
Date of the actual completion of the international search	Date of mailing of the international search report	
05 October 2012 (05.10.2012)	18 October 2012 (18.10.2012)	
Name and mailing address of the ISA/ FIPS Russia, 123995, Moscow, G-59, GSP-5, Berezhkovskaya nab., 30-1	Authorized officer L. Cherepanova	
Facsimile No. +7 (499) 243-33-37	Telephone No. (495)531-64-81	