

(19) World Intellectual Property Organization
International Bureau



(43) International Publication Date
12 March 2009 (12.03.2009)

(10) International Publication Number
WO 2009/032201 A3

(51) International Patent Classification:
B66F 9/14 (2006.01)

DIMMICK, Timothy, J. [US/US]; 128 Ohara Dr, Anderson, SC 29626 (US).

(21) International Application Number:
PCT/US2008/010259

(74) Agent: **MULLINAX, J., Bennett;** J. Bennett Mullinax, LLC, P.O Box 26029, Greenville, SC 29616-1029 (US).

(22) International Filing Date:
29 August 2008 (29.08.2008)

(81) Designated States (unless otherwise indicated, for every kind of national protection available): AE, AG, AL, AM, AO, AT, AU, AZ, BA, BB, BG, BH, BR, BW, BY, BZ, CA, CH, CN, CO, CR, CU, CZ, DE, DK, DM, DO, DZ, EC, EE, EG, ES, FI, GB, GD, GE, GH, GM, GT, HN, HR, HU, ID, IL, IN, IS, JP, KE, KG, KM, KN, KP, KR, KZ, LA, LC, LK, LR, LS, LT, LU, LY, MA, MD, ME, MG, MK, MN, MW, MX, MY, MZ, NA, NG, NI, NO, NZ, OM, PG, PH, PL, PT, RO, RS, RU, SC, SD, SE, SG, SK, SL, SM, ST, SV, SY, TJ, TM, TN, TR, TT, TZ, UA, UG, US, UZ, VC, VN, ZA, ZM, ZW.

(25) Filing Language: English

(26) Publication Language: English

(30) Priority Data:
11/897,558 31 August 2007 (31.08.2007) US

(71) Applicant and

(72) Inventor: **BOYD, John, W.** [US/US]; 4424 Carolina Avenue, Denmark, SD 29042 (US).

(72) Inventors; and

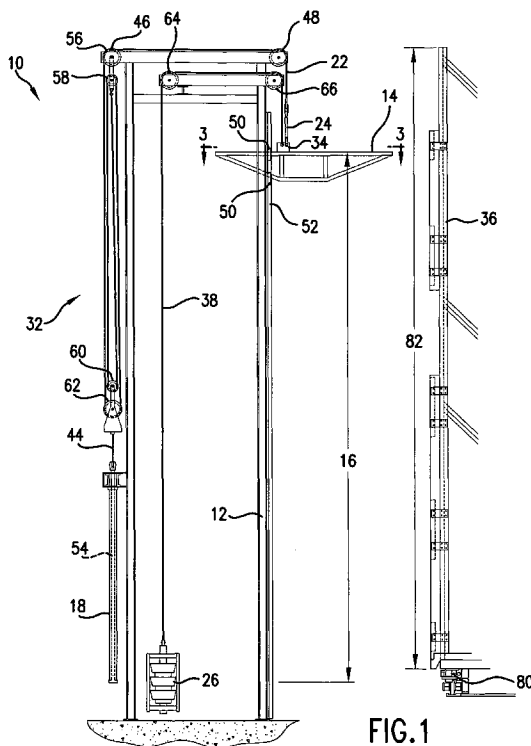
(75) Inventors/Applicants (for US only): **WHITWELL, William, P.** [US/US]; 72 Alexandra Cr, Denmark, SC 29042 (US). **HICKS, George** [US/US]; 417 Cedar Grove Ln, Maylene, AL 35114 (US). **HICKS, Ronnie, D.** [US/US]; 2801 Little River Ln, Brierfield, AL 35035 (US).

(84) Designated States (unless otherwise indicated, for every kind of regional protection available): ARIPO (BW, GH, GM, KE, LS, MW, MZ, NA, SD, SL, SZ, TZ, UG, ZM, ZW), Eurasian (AM, AZ, BY, KG, KZ, MD, RU, TJ, TM), European (AT, BE, BG, CH, CY, CZ, DE, DK, EE, ES, FI, FR, GB, GR, HR, HU, IE, IS, IT, LT, LU, LV,

[Continued on next page]

(54) Title: HYDRAULIC ELEVATING PLATFORM ASSEMBLY

(57) Abstract: An elevating platform assembly is provided. In accordance with one exemplary embodiment a platform is present and is moveable along a travel distance of a mast. A cylinder is provided and is capable of being actuated. The cylinder is used to move the platform along the travel distance.



WO 2009/032201 A3

MC, MT, NL, NO, PL, PT, RO, SE, SI, SK, TR), OAPI
(BF, BJ, CF, CG, CI, CM, GA, GN, GQ, GW, ML, MR,
NE, SN, TD, TG).

Published:

— *with international search report (Art. 21(3))*

Declarations under Rule 4.17:

- *as to applicant's entitlement to apply for and be granted a patent (Rule 4.17(ii))*
- *of inventorship (Rule 4.17(iv))*

(88) Date of publication of the international search report:
30 December 2009

INTERNATIONAL SEARCH REPORT

International application No.

PCT/US2008/010259

A. CLASSIFICATION OF SUBJECT MATTER

IPC(8) - B66F 09/14 (2008.04)

USPC - 441/659

According to International Patent Classification (IPC) or to both national classification and IPC

B. FIELDS SEARCHED

Minimum documentation searched (classification system followed by classification symbols)

IPC(8) -B66F 09/14 (2008.04)

USPC - 441/659,660; 182/29

Documentation searched other than minimum documentation to the extent that such documents are included in the fields searched

Electronic data base consulted during the international search (name of data base and, where practicable, search terms used)

MicroPatent, googlepatent, westlaw

C. DOCUMENTS CONSIDERED TO BE RELEVANT

Category*	Citation of document, with indication, where appropriate, of the relevant passages	Relevant to claim No.
X	US 2005/0040268 A1 (EHMEN) 24 February 2005 (24.02.2005) entire document	1-3, 5
Y		4, 6-20
Y	WO 2006/008586 A1 (RIGHI) 26 January 2006 (26.01.2006) entire document	4, 11, 12
Y	US 4,930,598 A (MURRILL et al) 05 June 1990 (05.06.2006) entire document	6-20
Y	US 4,697,671 A (STEWART et al) 06 October 1987 (06.10.1987) entire document	6-20
Y	US 2007/0151974 (BOYD) 05 July 2007 (05.07.2007) entire document	9, 17

Further documents are listed in the continuation of Box C.

* Special categories of cited documents:

"A" document defining the general state of the art which is not considered to be of particular relevance

"E" earlier application or patent but published on or after the international filing date

"L" document which may throw doubts on priority claim(s) or which is cited to establish the publication date of another citation or other special reason (as specified)

"O" document referring to an oral disclosure, use, exhibition or other means

"P" document published prior to the international filing date but later than the priority date claimed

"T" later document published after the international filing date or priority date and not in conflict with the application but cited to understand the principle or theory underlying the invention

"X" document of particular relevance; the claimed invention cannot be considered novel or cannot be considered to involve an inventive step when the document is taken alone

"Y" document of particular relevance; the claimed invention cannot be considered to involve an inventive step when the document is combined with one or more other such documents, such combination being obvious to a person skilled in the art

"&" document member of the same patent family

Date of the actual completion of the international search

04 November 2008

Date of mailing of the international search report

18 NOV 2008

Name and mailing address of the ISA/US

Mail Stop PCT, Attn: ISA/US, Commissioner for Patents

P.O. Box 1450, Alexandria, Virginia 22313-1450

Facsimile No. 571-273-3201

Authorized officer:

Blaine R. Copenheaver

PCT Helpdesk: 571-272-4300

PCT OSP: 571-272-7774