

US00RE42761E

(19) **United States**  
(12) **Reissued Patent**  
**Hoese et al.**

(10) **Patent Number:** **US RE42,761 E**  
(45) **Date of Reissued Patent:** **Sep. 27, 2011**

(54) **STORAGE ROUTER AND METHOD FOR PROVIDING VIRTUAL LOCAL STORAGE**

(75) Inventors: **Geoffrey B. Hoese**, Austin, TX (US);  
**Jeffry T. Russell**, Austin, TX (US)

(73) Assignee: **Crossroads Systems, Inc.**, Austin, TX (US)

(21) Appl. No.: **12/220,431**

(22) Filed: **Jul. 24, 2008**

**Related U.S. Patent Documents**

Reissue of:

(64) Patent No.: **7,340,549**  
Issued: **Mar. 4, 2008**  
Appl. No.: **11/353,826**  
Filed: **Feb. 14, 2006**

U.S. Applications:

(63) Continuation of application No. 10/658,163, filed on Sep. 9, 2003, now Pat. No. 7,051,147, which is a continuation of application No. 10/081,110, filed on Feb. 22, 2002, now Pat. No. 6,789,152, which is a continuation of application No. 09/354,682, filed on Jul. 15, 1999, now Pat. No. 6,421,753, which is a continuation of application No. 09/001,799, filed on Dec. 31, 1997, now Pat. No. 5,941,972.

(51) **Int. Cl.**

**G06F 3/00** (2006.01)  
**G06F 13/00** (2006.01)

(52) **U.S. Cl.** ..... **710/305; 710/11; 709/258**

(58) **Field of Classification Search** ..... **710/1-5, 710/8-13, 22-28, 305-306, 250, 126-131, 710/36-38; 709/258; 714/42; 711/110-113**

See application file for complete search history.

(56) **References Cited**

**U.S. PATENT DOCUMENTS**

3,082,406 A 3/1963 Stevens  
4,092,732 A 5/1978 Ouchi  
4,170,415 A 10/1979 Lemeshevsky et al.  
4,415,970 A 11/1983 Swenson et al.

(Continued)

**FOREIGN PATENT DOCUMENTS**

AU 647414 3/1994

(Continued)

**OTHER PUBLICATIONS**

Office Action issued in U.S. Appl. No. 11/851,837 dated Dec. 22, 2008, Hoese, 7 pages.

(Continued)

*Primary Examiner* — Christopher B Shin

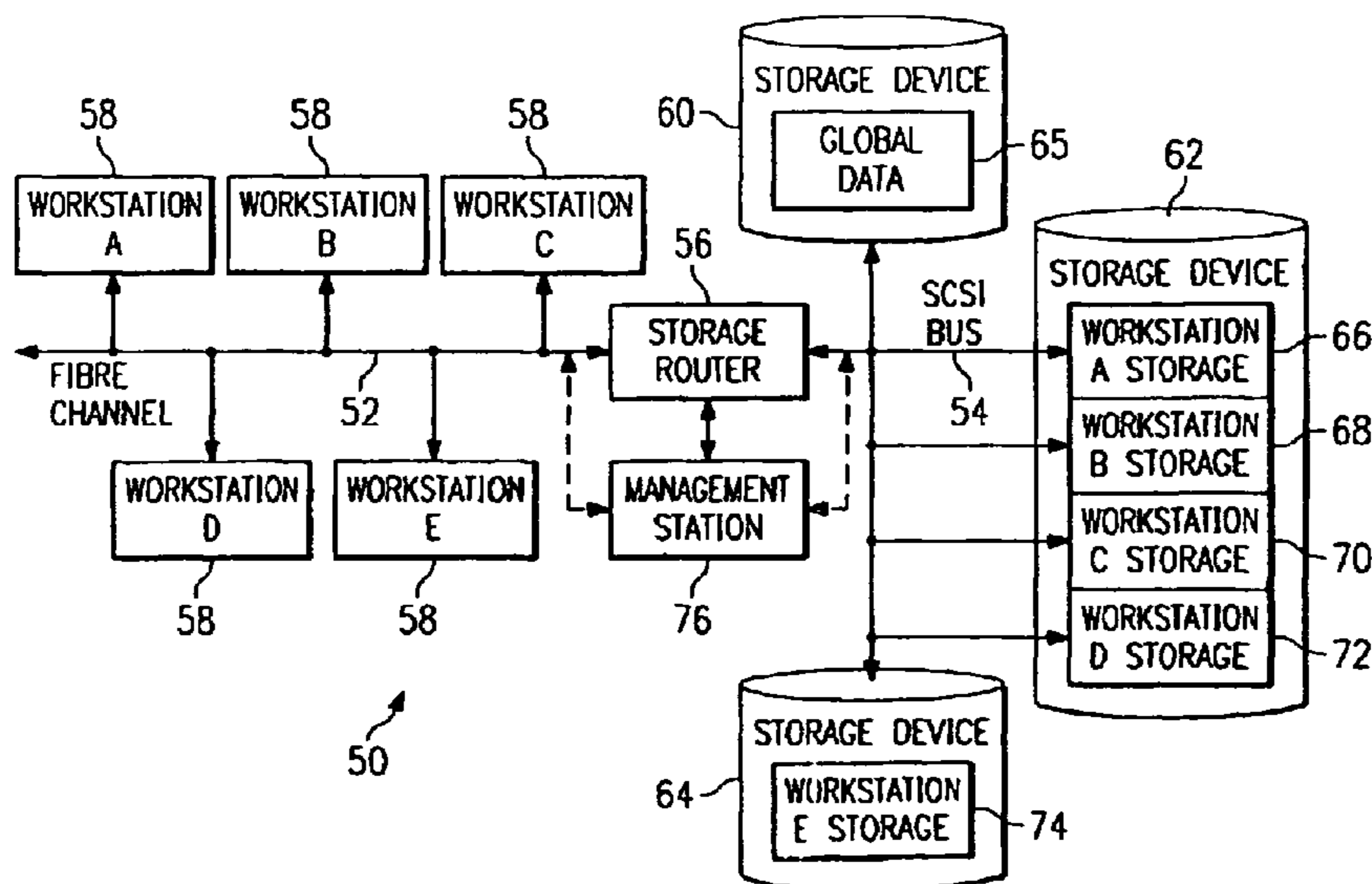
(74) *Attorney, Agent, or Firm* — Sprinkle IP Law Group

(57)

**ABSTRACT**

A storage router (56) and storage network (50) provide virtual local storage on remote SCSI storage devices (60, 62, 64) to Fiber Channel devices. A plurality of Fiber Channel devices, such as workstations (58), are connected to a Fiber Channel transport medium (52), and a plurality of SCSI storage devices (60, 62, 64) are connected to a SCSI bus transport medium (54). The storage router (56) interfaces between the Fiber Channel transport medium (52) and the SCSI bus transport medium (54). The storage router (56) maps between the workstations (58) and the SCSI storage devices (60, 62, 64) and implements access controls for storage space on the SCSI storage devices (60, 62, 64). The storage router (56) then allows access from the workstations (58) to the SCSI storage devices (60, 62, 64) using native low level, block protocol in accordance with the mapping and the access controls.

**89 Claims, 2 Drawing Sheets**



# US RE42,761 E

Page 2

U.S. PATENT DOCUMENTS							
4,455,605	A	6/1984	Cormier et al.	5,491,812	A	2/1996	Pisello et al.
4,504,927	A	3/1985	Callan	5,495,474	A	2/1996	Olnowich et al.
4,533,996	A	8/1985	Hartung et al.	5,496,576	A	3/1996	Jeong
4,573,152	A	2/1986	Greene et al.	5,504,857	A	4/1996	Baird et al.
4,603,380	A	7/1986	Easton et al.	5,507,032	A	4/1996	Kimura
4,620,295	A	10/1986	Aiken, Jr.	5,511,169	A	4/1996	Suda
4,644,462	A	2/1987	Matsubara et al.	5,519,695	A	5/1996	Purohit et al.
4,695,948	A	9/1987	Blevins et al.	5,530,845	A	6/1996	Hiatt et al.
4,697,232	A	9/1987	Brunelle et al.	5,535,352	A	7/1996	Bridges et al.
4,715,030	A	12/1987	Koch et al.	5,537,585	A	7/1996	Blickenstaff et al.
4,751,635	A	6/1988	Kret	5,544,313	A	8/1996	Shachnai et al.
4,787,028	A	11/1988	Finforck et al.	5,548,791	A	8/1996	Casper et al.
4,807,180	A	2/1989	Takeuchi et al.	5,564,019	A	10/1996	Beausoleil et al.
4,811,278	A	3/1989	Bean et al.	5,568,648	A	10/1996	Coscarella et al.
4,821,179	A	4/1989	Jensen et al.	5,581,709	A	12/1996	Ito et al.
4,825,406	A	4/1989	Bean et al.	5,581,714	A	12/1996	Amini et al.
4,827,411	A	5/1989	Arrowood et al.	5,581,724	A	12/1996	Belsan et al.
4,835,674	A	5/1989	Collins et al.	5,596,562	A	1/1997	Chen
4,864,532	A	9/1989	Reeve et al.	5,596,736	A	1/1997	Kerns
4,897,874	A	1/1990	Lidensky et al.	5,598,541	A	1/1997	Malladi
4,947,367	A	8/1990	Chang et al.	5,613,082	A	3/1997	Brewer et al.
4,961,224	A	10/1990	Yung	5,621,902	A	4/1997	Cases et al.
5,072,378	A	12/1991	Manka	5,632,012	A	5/1997	Belsan et al.
5,077,732	A	12/1991	Fischer et al.	5,634,111	A	5/1997	Oeda et al.
5,077,736	A	12/1991	Dunphy, Jr. et al.	5,638,518	A	6/1997	Malladi
5,124,987	A	6/1992	Milligan et al.	5,642,515	A	6/1997	Jones et al.
5,155,845	A	10/1992	Beal et al.	5,659,756	A	8/1997	Hefferon et al.
5,163,131	A	11/1992	Row et al.	5,664,107	A	9/1997	Chatwanni et al.
5,185,876	A	2/1993	Nguyen et al.	5,680,556	A	10/1997	Begun et al.
5,193,168	A	3/1993	Corrigan et al.	5,684,800	A	11/1997	Dobbins et al.
5,193,184	A	3/1993	Belsan et al.	5,701,491	A	12/1997	Dunn et al.
5,202,856	A	4/1993	Glider et al.	5,712,976	A	1/1998	Falcon et al.
5,210,866	A	5/1993	Milligan et al.	5,727,218	A	3/1998	Hotchkin
5,212,785	A	5/1993	Powers et al.	5,729,705	A	3/1998	Weber
5,214,778	A	5/1993	Glider et al.	5,743,847	A	4/1998	Nakamura et al.
5,226,143	A	7/1993	Baird et al.	5,748,924	A	5/1998	Llorens et al.
5,239,632	A	8/1993	Larner	5,751,971	A	5/1998	Dobbins et al.
5,239,643	A	8/1993	Blount et al.	5,751,975	A	5/1998	Gillespie et al.
5,239,654	A	8/1993	Ing-Simmons et al.	5,764,931	A	6/1998	Schmahl et al.
5,247,638	A	9/1993	O'Brien et al.	5,768,623	A	6/1998	Judd et al.
5,247,692	A	9/1993	Fujimura	5,774,683	A	6/1998	Gulick
5,257,386	A	10/1993	Saito	5,778,411	A	7/1998	DeMoss et al.
5,297,262	A	3/1994	Cox et al.	5,781,715	A	7/1998	Sheu
5,301,290	A	4/1994	Tetzlaff et al.	5,802,278	A	9/1998	Isfeld et al.
5,315,657	A	5/1994	Abadi et al.	5,805,816	A	9/1998	Picazo, Jr. et al.
5,317,693	A	7/1994	Elko et al.	5,805,920	A	9/1998	Sprenkle et al.
5,331,673	A	7/1994	Elko et al.	5,809,328	A	9/1998	Nogales et al.
5,334,673	A	8/1994	Wu	5,812,754	A	9/1998	Lui et al.
5,347,384	A	9/1994	McReynolds et al.	5,819,054	A	10/1998	Ninomiya et al.
5,355,453	A	10/1994	Row et al.	5,825,772	A	10/1998	Dobbins et al.
5,361,347	A	11/1994	Glider et al.	5,835,496	A	11/1998	Yeung et al.
5,367,646	A	11/1994	Pardillos et al.	4,845,722	A	12/1998	Makohl et al.
5,379,385	A	1/1995	Shomler	5,845,107	A	12/1998	Fisch et al.
5,379,398	A	1/1995	Cohn et al.	5,845,722	A	12/1998	Makohl et al.
5,388,243	A	2/1995	Glider et al.	5,848,251	A	12/1998	Lomelino et al.
5,388,246	A	2/1995	Kasai	5,857,080	A	1/1999	Jander et al.
5,394,402	A	2/1995	Ross et al.	5,860,137	A	1/1999	Raz et al.
5,394,526	A	2/1995	Crouse et al.	5,864,653	A	1/1999	Tavallaei et al.
5,396,596	A	3/1995	Hashemi et al.	5,867,648	A	2/1999	Foth et al.
5,403,639	A	4/1995	Belsan et al.	5,881,311	A	3/1999	Woods
5,410,667	A	4/1995	Belsan et al.	5,884,027	A	3/1999	Garbus et al.
5,410,697	A	4/1995	Baird et al.	5,889,952	A	3/1999	Hunnicuttt et al.
5,414,820	A	5/1995	McFarland et al.	5,913,045	A	6/1999	Gillespie et al.
5,416,915	A	5/1995	Mattson et al.	5,923,557	A	7/1999	Eidson
5,418,909	A	5/1995	Jachowski et al.	5,933,824	A	8/1999	DeKoning et al.
5,420,988	A	5/1995	Elliott	5,935,205	A	8/1999	Murayama et al.
5,423,026	A	6/1995	Cook et al.	5,935,260	A	8/1999	Ofer
5,423,044	A	6/1995	Sutton et al.	5,941,969	A	8/1999	Ram et al.
5,426,637	A	6/1995	Derby et al.	5,941,972	A	8/1999	Hoese et al.
5,430,855	A	7/1995	Wash et al.	5,946,308	A	8/1999	Dobbins et al.
5,450,570	A	9/1995	Richek et al.	5,953,511	A	9/1999	Sescila et al.
5,452,421	A	9/1995	Beardsley et al.	5,959,994	A	9/1999	Boggs et al.
5,459,857	A	10/1995	Ludlam et al.	5,963,556	A	10/1999	Varghese et al.
5,463,754	A	10/1995	Beausoleil et al.	5,974,530	A	10/1999	Young
5,465,382	A	11/1995	Day, III et al.	5,978,379	A	11/1999	Chan et al.
5,469,576	A	11/1995	Dauerer et al.	5,978,875	A	11/1999	Asano et al.
5,471,609	A	11/1995	Yudenfriend et al.	5,991,797	A	11/1999	Futral et al.
5,487,077	A	1/1996	Hassner et al.	6,000,020	A	12/1999	Chin et al.
				6,021,451	A	2/2000	Bell et al.

# US RE42,761 E

Page 3

6,029,168	A	2/2000	Frey
6,032,269	A	2/2000	Renner, Jr.
6,041,058	A	3/2000	Flanders et al.
6,041,381	A	3/2000	Hoese
6,055,603	A	4/2000	Ofer et al.
6,065,087	A	5/2000	Keaveny et al.
6,070,253	A	5/2000	Tavallaei et al.
6,073,209	A	6/2000	Bergsten
6,073,218	A	6/2000	DeKoning et al.
6,075,863	A	6/2000	Krishnan et al.
6,081,849	A	6/2000	Born et al.
6,098,128	A	8/2000	Velez-McCaskey et al.
6,098,149	A	8/2000	Ofer et al.
6,108,684	A	8/2000	DeKoning et al.
6,118,766	A	9/2000	Akers
6,118,776	A	9/2000	Berman
6,131,119	A	10/2000	Fukui
6,134,617	A	10/2000	Weber
6,141,737	A	10/2000	Krantz et al.
6,145,006	A	11/2000	Vishlitsky et al.
6,147,976	A	11/2000	Shand et al.
6,147,995	A	11/2000	Dobbins et al.
6,148,004	A	11/2000	Nelson et al.
6,173,399	B1	1/2001	Gilbrech
6,185,203	B1	2/2001	Berman
6,202,153	B1	3/2001	Diamant et al.
6,209,023	B1	3/2001	Dimitroff et al.
6,219,771	B1	4/2001	Kikuchi et al.
6,223,266	B1	4/2001	Sartore
6,230,218	B1	5/2001	Casper et al.
6,243,827	B1	6/2001	Renner, Jr.
6,260,120	B1	7/2001	Blumenau et al.
6,268,789	B1	7/2001	Diamant et al.
6,308,247	B1	10/2001	Ackerman et al.
6,330,629	B1	12/2001	Kondo et al.
6,330,687	B1	12/2001	Griffith
6,341,315	B1	1/2002	Arroyo et al.
6,343,324	B1	1/2002	Hubis et al.
6,363,462	B1	3/2002	Bergsten
6,401,170	B1	6/2002	Griffith et al.
6,421,753	B1	7/2002	Hoese et al.
6,425,035	B2	7/2002	Hoese et al.
6,425,036	B2	7/2002	Hoese et al.
6,425,052	B1	7/2002	Hashemi
6,453,345	B2	9/2002	Trcka et al.
6,484,245	B1	11/2002	Sanada et al.
D470,486	S	2/2003	Cheng
6,529,996	B1	3/2003	Nguyen et al.
6,547,576	B2	4/2003	Pend et al.
6,560,750	B2	5/2003	Chien et al.
6,563,701	B1	5/2003	Peng et al.
6,775,693	B1	8/2004	Adams
6,792,602	B2	9/2004	Lin et al.
6,820,212	B2	11/2004	Duchesne et al.
6,854,027	B2	2/2005	Hsu et al.
6,862,637	B1	3/2005	Stupar
6,874,043	B2	3/2005	Treggiden
6,874,100	B2	3/2005	Rauscher
6,910,083	B2	6/2005	Hsu et al.
7,065,076	B1	6/2006	Nemazie
7,127,668	B2	10/2006	McBryde et al.
7,133,965	B2	11/2006	Chien
7,188,111	B2	3/2007	Chen et al.
7,216,225	B2	5/2007	Haviv et al.
7,251,248	B2	7/2007	Trossell et al.
7,281,072	B2	10/2007	Liu et al.
2002/0083221	A1	6/2002	Tsai et al.
2006/0218322	A1	9/2006	Hoese et al.
2006/0277326	A1	12/2006	Tsai et al.
2006/0294416	A1	12/2006	Tsai et al.

## FOREIGN PATENT DOCUMENTS

AU	670376	7/1996
CA	2066443	10/2003
EP	0810530	A2 12/1997
EP	0490973	B1 2/1998
EP	0827059	A2 3/1998
GB	2296798	A 7/1996
GB	2297636	A 8/1996

GB	2341715	3/2000
IL	095447	5/1994
IL	107645	9/1996
JP	5502525	4/1993
JP	5-181609	7/1993
JP	1993181609	A 7/1993
JP	6301607	10/1994
JP	7-20994	1/1995
JP	1995020994	A 1/1995
JP	8-230895	9/1996
JP	1997185594	A 7/1997
JP	1997251437	A 9/1997
JP	10097493	A 4/1998
WO	WO 91/03788	A1 3/1991
WO	WO 98/36357	8/1998
WO	WO 9733227	A1 8/1998
WO	WO 19997033227	A1 8/1998
WO	WO 99/34297	A1 7/1999

## OTHER PUBLICATIONS

Black Box, SCSI Fiberoptic Extender, Single-Ended, Product Insert, 2 pages, 1996, Jun. 18, 1995.

Block-Based Distributed File Systems, Anthony J. McGregor, Jul. 1997.

Compaq StorageWorks HSG80 Array Controller ACS Version 8.3 (Maintenance and Service Guide) Nov. 1998.

Compaq StorageWorks HSG80 Array Controller ACS Version 8.3 (Configuration and CLI Reference Guide) Nov. 1998.

CRD-5500, Raid Disk Array Controller Product Insert, pp. 1-5.

CRD-5500, SCSI Raid Controller OEM Manual, Rev. 1.3, Feb. 26, 1996, pp. 1-54.

CRD-5500, SCSI Raid Controller Users Manual, Rev. 1.3, Nov. 21, 1996, pp. 10-92.

Digital StorageWorks HSZ70 Array Controller HSOF Version 7.0 EK-SHZ70-RM.A01 CLI Reference Manual, Jul. 1, 1997.

Digital Storage Works, HSZ70 Array Controller, HSOF Version 7.0 EK-HSZ70-CG. A01, Digital Equipment Corporation, Maynard, Massachusetts, Jul. 1, 1997.

Digital StorageWorks, Using Your HSZ70 Array Controller in a SCSI Controller Shelf (DS-BA356-M Series), User's Guide, pp. 1-1 through A-5 with index, Jan. 1, 1998.

Digital StorageWorks HSZ70 Array Controller HSOF Version 7.0 EK-HSZ70-SV. A01, 1997.

Digital StorageWorks HSG80 Array Controller ACS Version 8.0 (User's Guide Jan. 1998).

DP5380 Asynchronous SCSI Interface, National Semiconductor Corporation, Arlington, TX, May 1989, pp. 1-32.

Emerson, "Encor Communications: Performance evaluation of switched fibre channel I/O system using—FCP for SCSI" Feb. 1995, IEEE, pp. 479-484, Feb. 1, 1995.

Fiber channel (FCS)/ATM internetworking: a design solution.

Fiber Channel storage interface for video-on-demand servers by Anzaloni, et al., Jun. 15, 1995.

Fibre Channel and ATM: The Physical Layers, Jerry Quam WESCON/94, published Sep. 27-29, 1994. pp. 648-652.

Gen5 S-Series XL System Guide Revision 1.01 by Chen, Jun. 18, 1995.

Graphical User Interface for MAXSTRAT Gen5/Gen-S Servers User's guide 1.1, Jun. 11, 1996.

High Performance Data transfers Using Network-Attached Peripherals at the national Storage Laboratory by Hyer, Feb. 26, 1993.

IFT-3000 SCSI to SCSI Disk array Controller Instruction Manual Revision 2.0 by Infotrend Technologies, Inc., 1995.

Implementing a Fibre Channel SCSI transport by Snively, 1994-.

"InfoServer 150—Installation and Owner's Guide", EK-INFSV-OM-001, Digital Equipment Corporation, Maynard, Massachusetts 1991, Chapters 1 and 2.

InfoServer 150VXT Photograph.

IBM Technical Publication: Guide to Sharing and Partitioning IBM Tape Library Dataservers, Nov. 1996, pp. 1-256, Nov. 1, 1996.

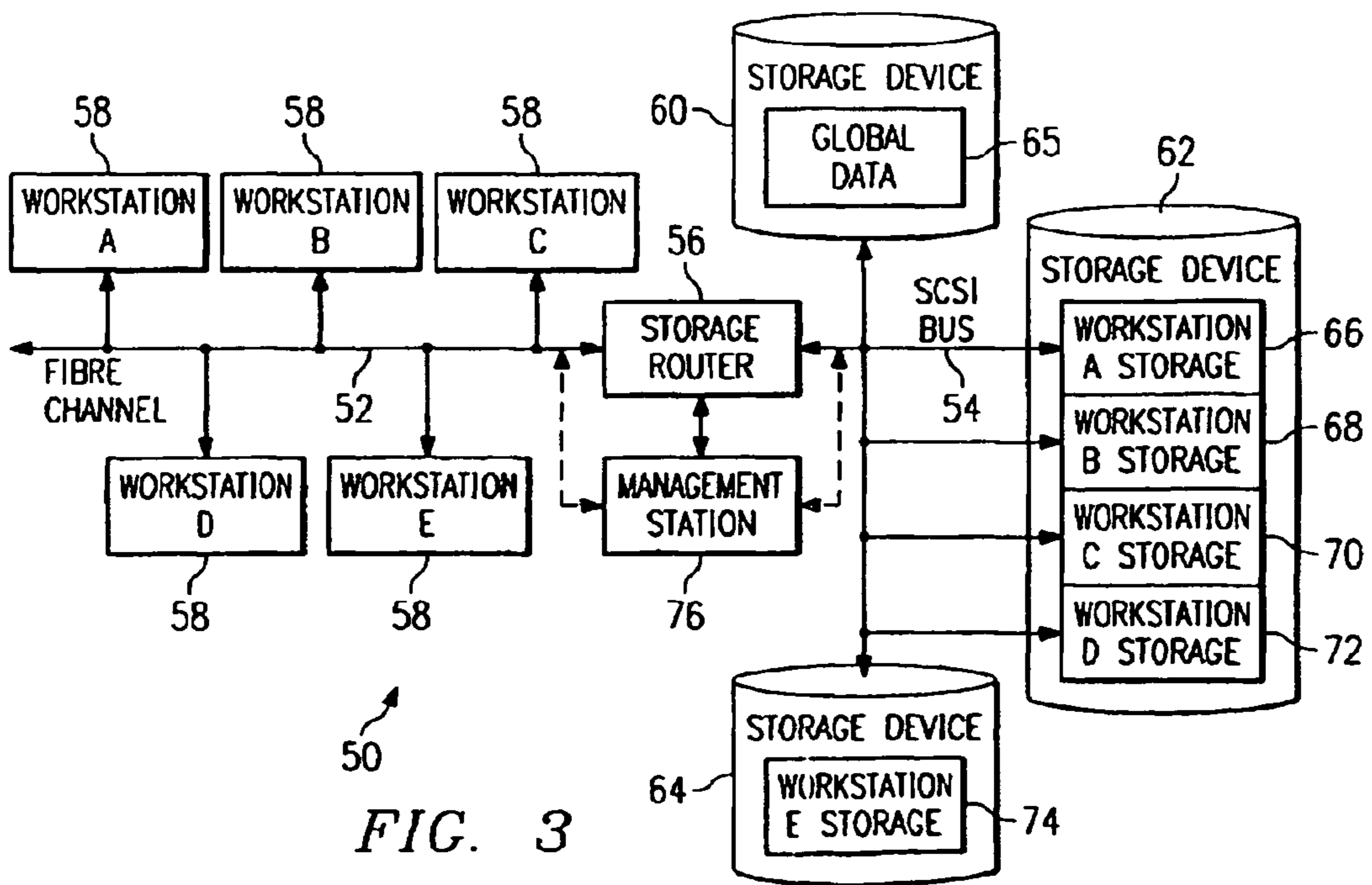
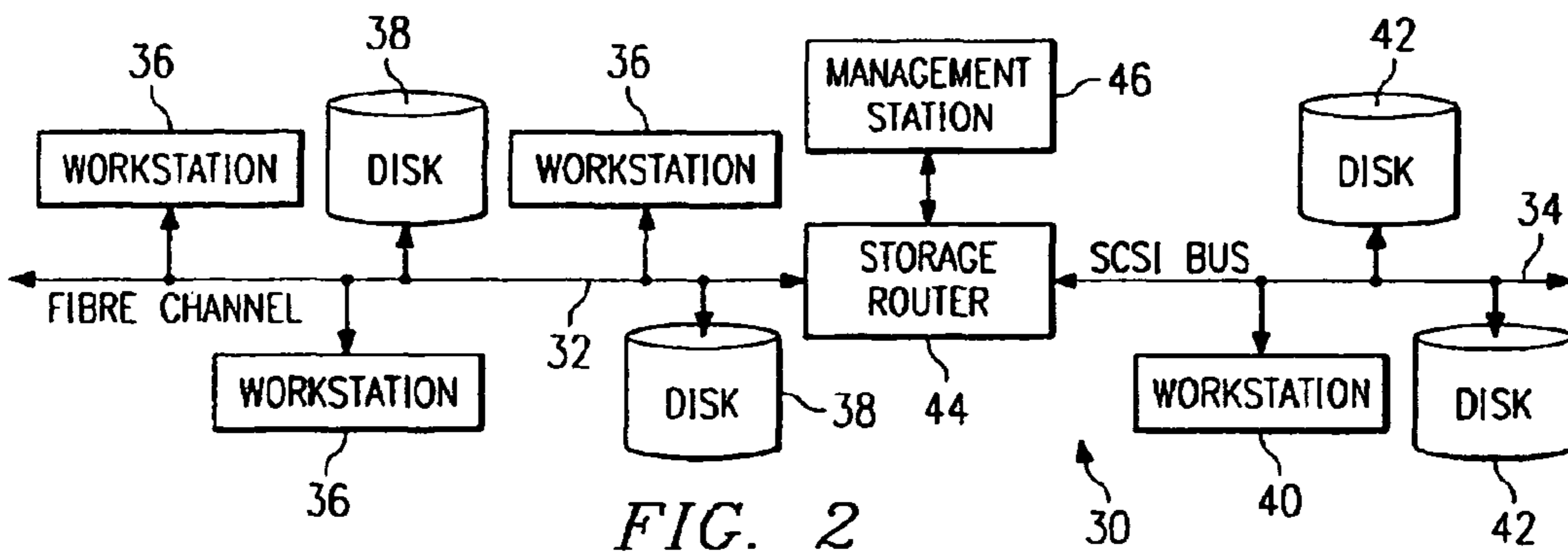
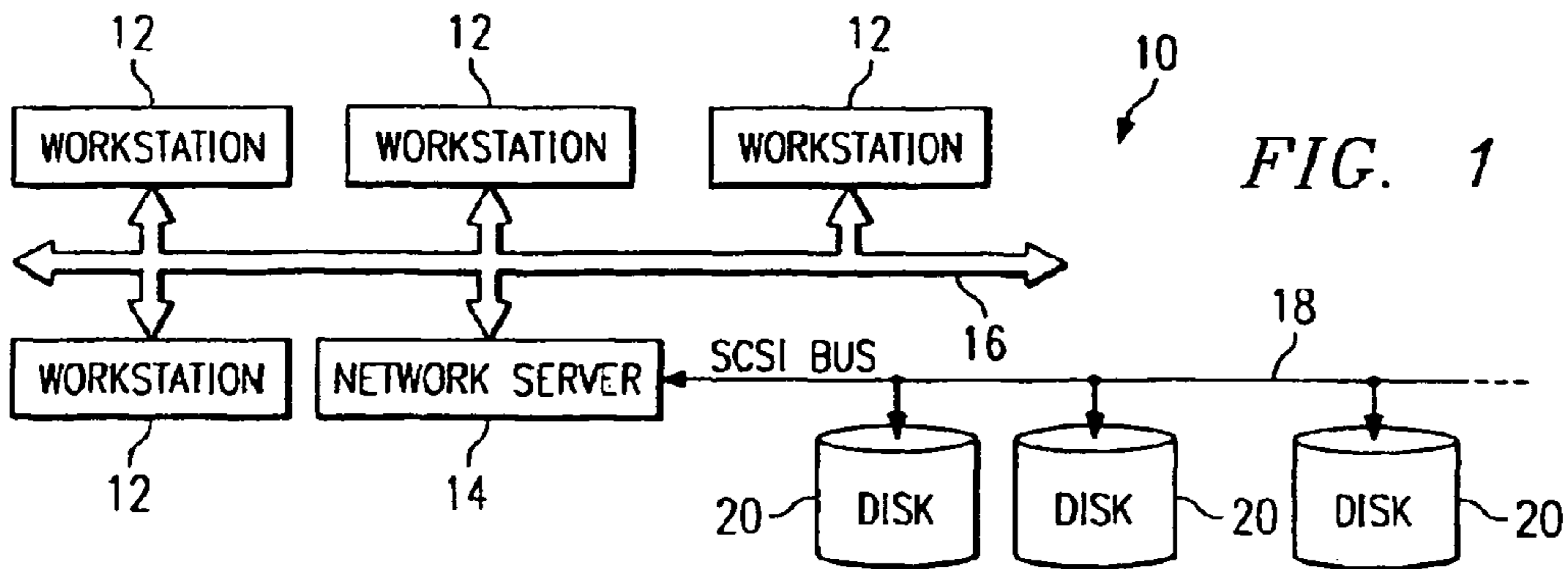
IBM Technical Publication: Magstar and IBM 3590 High Performance Tape Subsystem Technical Guide, Nov. 1996, pp. 1-269, Nov. 1, 1996.

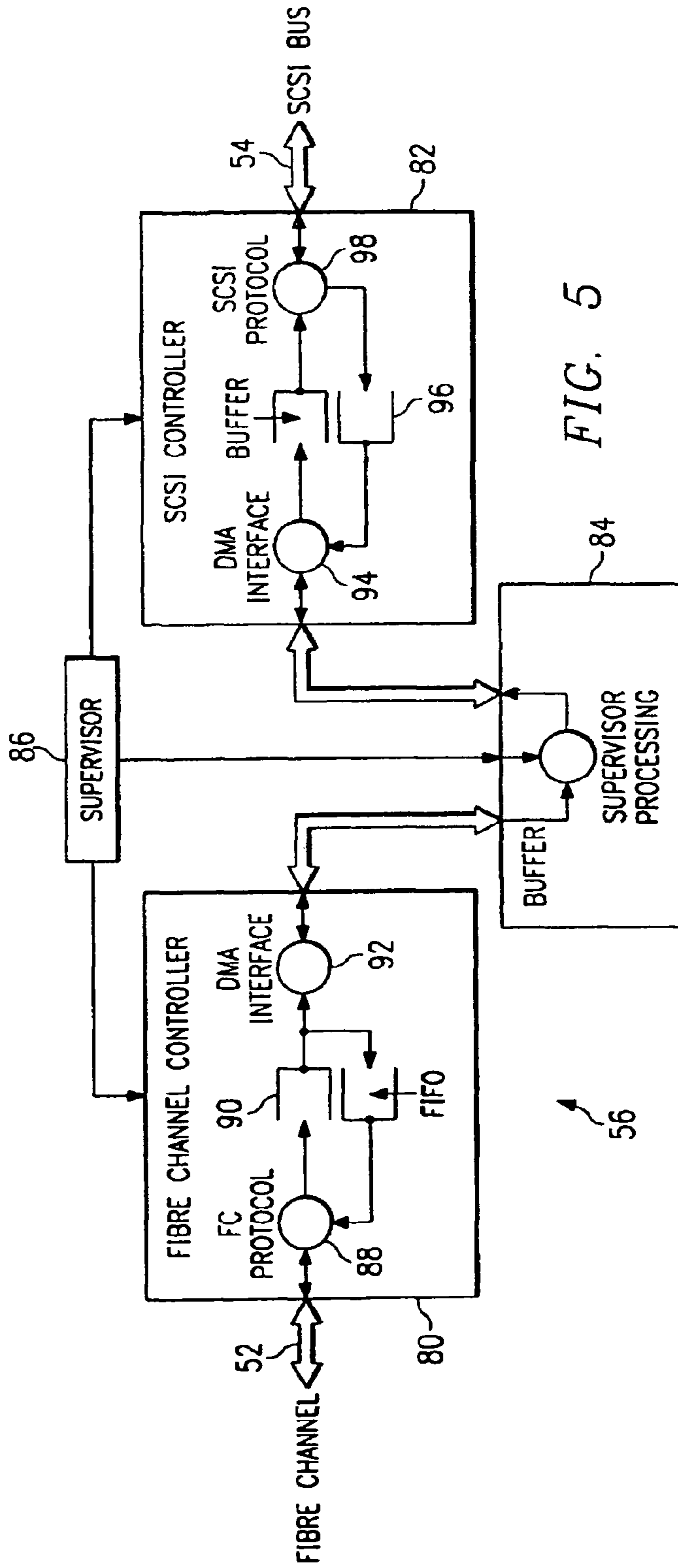
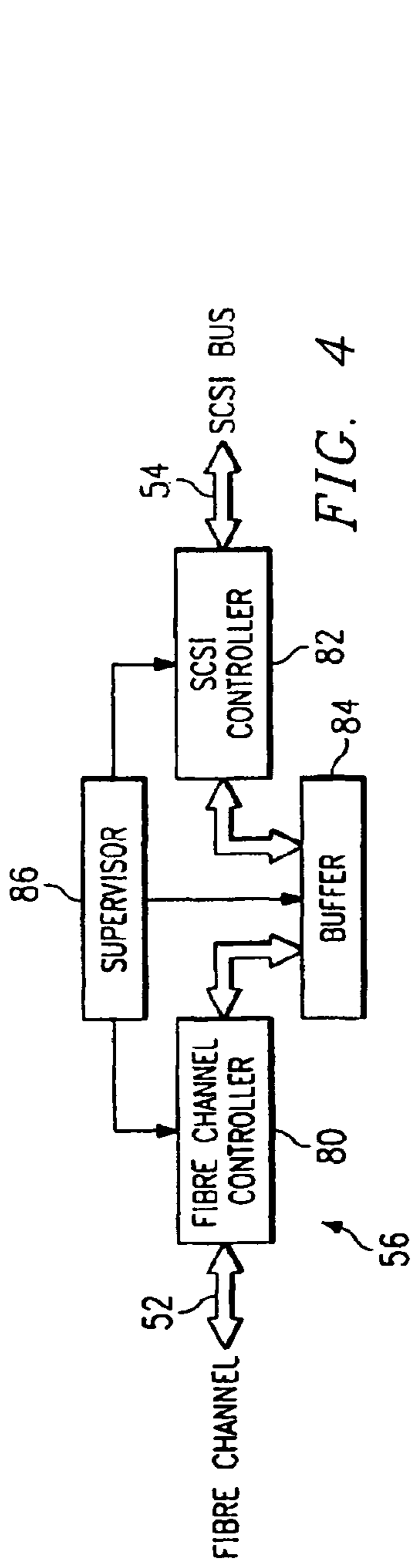
Misc. Reference Manual pages, SunOS 5.09.

- Infoserver 100 System Operations Guide, First Edition Digital Equipment Corporation, 1990.
- Johnson, D.B., et al., The Peregrine High Performance RPC System, Software-Practice and Experience, 23(2):201-221, Feb. 1993.
- Local-Area networks for the IBM PC by Haugdahl.
- New serial I/Os speed storage subsystems by Bursky, Feb. 6, 1995.
- Petal: Distributed Virtual Disks, Edward K. Lee and Chandramohan A. Thekkath, ACM SIGPLAN Notices, vol. 31, Issue 9, Sep. 1996, pp. 84-92.
- Pictures of internal components of the InfoServer 150, taken from <http://bindarydinosaurs.couk/Museum/Digital/infoserver/infoserver.php> in Nov. 2004.
- Raidtec FibreArray and Raidtec FlexArray UltraRAID Systems, Windows IT PRO Article, Oct. 1997.
- S.P. Joshi, "Ethernet controller chip interfaces with variety of 16-bit processors," electronic Design, Hayden Publishing Co., Inc., Rochelle Park, NJ, Oct. 14, 1982. pp. 193-200.
- Simplest Migration to Fibre Channel Technology Article, Digital Equipment Corporation, Nov. 10, 1997, published on PR Newswire.
- Systems Architectures Using Fibre Channel, Roger Cummings, Twelfth IEEE Symposium on Mass Storage Systems, Copyright 1993 IEEE. pp. 251-256.
- Office Action dated Jan. 21, 2003 for U.S. Appl. No. 10/174,720.
- Office Action dated Feb. 27, 2001 for U.S. Appl. No. 09/354,682.
- Office Action dated Aug. 11, 2000 for U.S. Appl. No. 09/354,682.
- Office Action dated Dec. 16, 1999 for U.S. Appl. No. 09/354,682.
- Office Action dated Nov. 6, 2002 for U.S. Appl. No. 10/023,786.
- Office Action dated Jan. 21, 2003 for U.S. Appl. No. 10/081,110.
- Office Action in Ex Parte Reexamination U.S. Appl. No. 90/007,127, mailed Feb. 7, 2005.
- Office Action in Ex Parte Reexamination U.S. Appl. No. 90/007,125, mailed Feb. 7, 2005.
- Office Action in Ex Parte Reexamination U.S. Appl. No. 90/007,126, mailed Feb. 7, 2005.
- Office Action in Ex Parte Reexamination U.S. Appl. No. 90/007,124, mailed Feb. 7, 2005.
- Office Action in Ex Parte Reexamination U.S. Appl. No. 90/007,123, mailed Feb. 7, 2005.
- European Office Action issued Apr. 1, 2004 in Application No. 98966104.6-2413.
- Digital "System Support Addendum", SSA 40.78.01-A, AE-PNZJB-TE, pp. 1-3, Apr. 1, 1993.
- Digital "Software Product Description", SSA 40.78.01, AE-PNZJB-TE, pp. 1-3, Apr. 1, 1993.
- Digital Equipment Corporation, "InfoServer 100 Installation and Owner's Guide", Order No. EK-DIS1K-IN-001, First Edition, Oct. 1, 1990.
- Digital Equipment Corporation, "InfoServer 100 System Operation Guide", Order No. EK-DIS1K-UG-001, First Edition, pp. i-Index 5, Oct. 1, 1990.
- Elliott, Working Draft American National Standard, Project T10/1562-D, Revision 5, pp. i-432, Jul. 9, 2003.
- Satran, "Standards-Track," May 2001, iSCSI, pp. 9-87, Nov. 1, 2000.
- Satran, et al. IPS Internet Draft, iSCSI, pp. 1-8, Nov. 1, 2000.
- APT Technologies, Inc., "Serial ATA: High Speed Serialized AT Attachment", Rev. 1.0a, pp. 1-310, Jan. 7, 2003.
- Office Action dated Jan. 27, 2005 in U.S. Appl. No. 10/658,163.
- Defendant's First Supplemental Trial Exhibit List, *Crossroads Systems, Inc., v. Chaparral Network Storage, Inc.*, C.A. No. A-00CA-217-SS (W.D. Tex. 2001). (CD-Rom).
- Defendant's Third Supplemental Trial Exhibit List, *Crossroads Systems, Inc. v. Pathlight Technology, Inc.*, C.A. No. A-00CA-248-SS (W.D. Tex. 2001) (CD-Rom).
- Plaintiff's Fourth Amended Trial Exhibit List, *Crossroads Systems, Inc. v. Chaparral Network Storage, Inc.*, C.A. No. A-00CA-217-SS (W.D. Tex. 2001) (CD-Rom).
- Plaintiff's Revised Trial Exhibit List, *Crossroads Systems, Inc. v. Pathlight Technology, Inc.*, C.A. No. A-00CA-248-SS (W.D. Tex. 2001). (CD-Rom).
- Trail Transcripts, *Crossroads Systems, Inc. v. Chaparral Network Storage, Inc.*, C.A. No. A-00CA-217-SS (W.D. Tex. 2001) Day 1-4 (CD-Rom).
- Trail Transcripts, *Crossroads Systems, Inc. v. Pathlight Technology, Inc.*, C.A. No. A-00CA-248-SS (W.D. Tex. 2001). Day 1-4 (CD-Rom).
- Datasheet for CrossPoint 4100 Fibre Channel to SCSI Router (Dedek Ex 41 (ANCT 117-120)) (CD-ROM Chaparral Exhibits D012).
- Symbios Logic- Software Interface Specification Series 3 SCSI RAID Controller Software Release 02.xx (Engelbrecht Ex 2 (LSI 1421-1658)) (CD-ROM Chaparral Exhibits D013), Dec. 3, 1997.
- Press Release- Symbios Logic to Demonstrate Strong Support for Fibre Channel at Fall Comdex (Engelbrecht 12 (LSI 2785-86)) (CD-ROM Chaparral Exhibits D016), Nov. 13, 1996.
- OEM Datasheet on the 3701 Controller (Engelbrecht 13 (LSI 01837-38)) (CD-ROM Chaparral Exhibits D017), Jun. 17, 1995.
- Nondisclosure Agreement Between Adaptec and Crossroads Dated Oct. 17, 1996 (Quisenberry Ex 25 (CRDS 8196)) (CD-ROM Chaparral Exhibits D020).
- Organizational Presentation on the External Storage Group (Lavan Ex 1 (CNS 182242-255)) (CD-ROM Chaparral Exhibits D021), Apr. 11, 1996.
- Bridge Phase II Architecture Presentation (Lavan Ex 2 (CNS 182287-295)) (CD-ROM Chaparral Exhibits D022), Apr. 12, 1996.
- Bridge. C, Bridge Between SCSI-2 and SCSI-3 FCP (Fibre Channel Protocol) (CD-ROM Chaparral Exhibits P214).
- Attendees/Action Items from Apr. 12, 1996 Meeting at BTC (Lavan Ex 3 (CNS 182241)) (CD-ROM Chaparral Exhibits D023).
- Brooklyn Hardware Engineering Requirements Documents, Revision 1.4 (Lavan Ex 4 (CNS 178188-211)) (CD-ROM Chaparral Exhibits D024) by Pecone, May 26, 1996.
- Brooklyn Single-Ended SCSI Raid Bridge Controller Hardware OEM Manual, Revision 2.1 (Lavan Ex 5 (CNS 177169-191)) (CD-ROM Chaparral Exhibits D025), Mar. 2, 1996.
- Coronado Hardware Engineering Requirements Document, Revision 0.0 (Lavan Ex 7 (CNS 176917-932)) (CD-ROM Chaparral Exhibits D027) by O'Dell, Sep. 30, 1996.
- ESS/FPG Organization (Lavan Ex 8 (CNS 178639-652)) (CD-ROM Chaparral Exhibits D028), Dec. 6, 1996.
- Adaptec MCS ESS Presents: Intelligent External I/O Raid Controllers "Bridge" Strategy (Lavan Ex 9 (CNS 178606-638)). (CD-ROM Chaparral Exhibits D029), Feb. 6, 1996.
- AEC-7313 Fibre Channel Daughter Board (for Brooklyn) Engineering Specification, Revision 1.0 (Lavan Ex 10 (CNS 176830-850)) (CD-ROM Chaparral Exhibits D030), Feb. 27, 1997.
- Bill of Material (Lavan Ex 14 (CNS 177211-214)) (CD-ROM Chaparral Exhibits D034), Jul. 24, 1997.
- AEC-. 4412B, AEC-7412/B2 External Raid Controller Hardware OEM Manual, Revision 2.0 (Lavan Ex 15 (CNS 177082-123)) (CD-ROM Chaparral Exhibits D035), Jun. 27, 1997.
- Coronado II, AEC-7312A Fibre Channel Daughter (for Brooklyn) Hardware Specification, Revision 1.2 (Lavan Ex 16 (CNS 177192-210)) (CD-ROM Chaparral Exhibits D036) by Tom Yang, Jul. 18, 1997.
- AEC-4412B, AEC7412/3B External RAID Controller Hardware OEM Manual, Revision 3.0. (Lavan Ex 17 (CNS 177124-165)) (CD-ROM Chaparral Exhibits D037), Aug. 25, 1997.
- Memo Dated Aug. 15, 1997 to AEC-7312A Evaluation Unit Customers re: B001 Release Notes (Lavan Ex 18 (CNS 182878-879)) (CD-ROM Chaparral Exhibits D038).
- Brooklyn Main Board (AES-0302) MES Schedule (Lavan Ex 19 (CNS 177759-763)) (CD-ROM Chaparral Exhibits D039), Feb. 11, 1997.
- News Release-Adaptec Adds Fibre Channel Option to its External RAID Controller Family (Lavan Ex 20 (CNS 182932-934)) (CD-ROM Chaparral Exhibits D040), May 6, 1997.
- AEC-4412B/7412B User's Guide, Rev. A (Lavan Ex 21) (CD-ROM Chaparral Exhibits D041), Jun. 19, 1995.
- Data Book- AIC-7895 PCI Bus Master Single Chip SCSI Host Adapter (Davies Ex 1 (CNS 182944-64)) (CD-ROM Chaparral Exhibits D046), May 21, 1996.
- Data Book- AIC-1160 Fibre Channel Host Adapter ASIC (Davies Ex 2 (CNS 181800-825)) (CD-ROM Chaparral Exhibits D047), Jun. 18, 1995.
- Viking RAID Software (Davies Ex 3 (CNS 180969-181026)) (CD-ROM Chaparral Exhibits D048), Jun. 18, 1995.

- Header File with Structure Definitions (Davies Ex 4 (CNS 180009-018)) (CD-ROM Chaparral Exhibits D049), Aug. 8, 1996.
- C++ SourceCode for the SCSI Command Handler (Davies Ex 5 (CNS 179136-168)) (CD-ROM Chaparral Exhibits D050), Aug. 8, 1996.
- Header File Data Structure (Davies Ex 6 (CNS 179997-180008)) (CD-ROM Chaparral Exhibits D051) Jan. 2, 1997.
- SCSI Command Handler (Davies Ex 7 (CNS 179676-719)) (CD-ROM Chaparral Exhibits D052), Jan. 2, 1997.
- Coronado: Fibre Channel to SCSI Intelligent Raid Controller Product Brief (Kalwitz Ex I (CNS 182804-805)) (CD-ROM Chaparral Exhibits D053).
- Bill of Material (Kalwitz Ex 2 (CNS 181632-633)) (CD-ROM Chaparral Exhibits D054), Mar. 17, 1997.
- Emails Dated Jan. 13-Mar. 31, 1997 from P. Collins to Mo re: Status Reports (Kalwitz Ex 3 (CNS 182501-511)) (CD-ROM Chaparral Exhibits D055).
- Hardware Schematics for the Fibre Channel Daughtercard Coronado (Kalwitz Ex 4 (CNS 181639-648)) (CD-ROM Chaparral Exhibits D056).
- Adaptec Schematics re AAC-340 (Kalwitz Ex 14 CNS 177215-251)) (CD-ROM Chaparral Exhibits D057).
- Bridge Product Line Review (Manzanares Ex 3 (CNS 177307-336)) (CD-ROM Chaparral Exhibits D058).
- AEC Bridge Series Products-Adaptec External Controller RAID Products Pre-Release Draft, v.6 (Manzanares Ex 4 (CNS 174632-653)) (CD-ROM Chaparral Exhibits D059), Oct. 28, 1997.
- Hewlett-Packard Roseville Site Property Pass for Brian Smith (Dunning Ex 14 (HP 489)) (CD-ROM Chaparral Exhibits D078), Nov. 7, 1996.
- Distribution Agreement Between Hewlett-Packard and Crossroads (Dunning Ex 15 (HP 326-33)) (CD-ROM Chaparral Exhibits D079).
- HPFC-5000 Tachyon User's Manuel, First Edition (PTI 172419-839) (CD-ROM Chaparral Exhibits D084), May 1, 1996.
- X3T10 994D—(Draft) Information Technology: SCSI-3 Architecture Model, Rev. 1.8 (PTI 165977) (CD-ROM Chaparral Exhibits D087).
- X3T10 Project 1047D: Information Technology- SCSI-3 Controller Commands (SCC), Rev, 6c (PTI 166400-546) (CD-ROM Chaparral Exhibits D088), Sep. 3, 1996.
- X3T10 995D- (Draft) SCSI-3 Primary Commands, Rev. 11 (Wanamaker Ex 5 (PTI 166050-229)) (CD-ROM Chaparral Exhibits D089), Nov. 13, 1996.
- VBAR Volume Backup and Restore (CRDS 12200-202) (CD-ROM Chaparral Exhibits D099).
- Preliminary Product Literature for Infinity Commstor's Fibre Channel to SCSI Protocol Bridge (Smith Ex 11; Quisenberry Ex 31 (SPL0 428-30)) (CD-ROM Chaparral Exhibits D143), Aug. 19, 1996.
- Letter dated Jul. 12, 1996 from J. Boykin to B. Smith re: Purchase Order for Evaluation Units from Crossroads (Smith Ex 24) CRDS 8556-57) (CD-ROM Chaparral Exhibits D144).
- CrossPoint 4100 Fibre Channel to SCSI Router Preliminary Datasheet (Hulsey Ex 9 (CRDS 16129-130)) (CD-ROM Chaparral Exhibits D145), Nov. 1, 1996.
- CrossPoint 4400 Fibre Channel to SCSI Router Preliminary Datasheet (Bardach Ex. 9, Quisenberry Ex 33 (CRDS 25606-607)) (CD-ROM Chaparral Exhibits D153), Nov. 1, 1996.
- Fax Dated Jul. 22, 1996 from L. Petti to B. Smith re: Purchase Order from Data General for FC2S Fibre to Channel SCSI Protocol Bridge Model 11 (Smith Ex 25; Quisenberry Ex 23; Bardach Ex 11 (CRDS 8552-55; 8558)) (CD-ROM Chaparral Exhibits D155).
- Email Dated Dec. 20, 1996 from J. Boykin to B. Smith re: Purchase Order for Betas in February And March (Hoese Ex 16, Quisenberry Ex 25; Bardach Ex 12 (CRDS 13644-650)) (CD-ROM Chaparral Exhibits D156).
- Infinity Commstor Fibre Channel Demo for Fall Comdex, 1996 (Hoese Ex 15, Bardach Ex 13 (CRDS 27415)) (CD-ROM Chaparral Exhibits D157).
- Fax Dated Dec. 19, 1996 from B. Bardach to T. Rarich re: Purchase Order Information (Bardach Ex. 14; Smith Ex 16 (CRDS 4460)) (CD-ROM Chaparral Exhibits D158).
- Miscellaneous Documents Regarding Comdex (Quisenberry Ex 2 (CRDS 27415-465)) (CD-ROM Chaparral Exhibits D165).
- CrossPoint 4100 Fibre Channel to SCSI Router Preliminary Datasheet (Quisenberry) Ex 3 (CRDS 4933-34) (CD-ROM Chaparral Exhibits D166) (CD-ROM Chaparral Exhibits D166).
- CrossPoint 4400 Fibre to Channel to SCSI Router Preliminary Datasheet; Crossroads Company and Product Overview (Quisenberry Ex 4 (CRDS 25606; 16136)) (CD-ROM Chaparral Exhibits D167).
- Crossroads Purchase Order Log (Quisenberry Ex 9 (CRDS 14061-062)) (CD-ROM Chaparral Exhibits D172).
- RAID Manager 5 with RDAC 5 for UNIX V.4 User's Guide (LSI-01854) (CD-ROM Chaparral Exhibits P062), Sep. 1, 1996.
- Letter dated May 12, 1997 from Alan G. Leal to Barbara Bardach enclosing the original OEM License and Purchase Agreement between Hewlett-Packard Company and Crossroads Systems, Inc. (CRDS 02057) (CD-ROM Chaparral Exhibits P130).
- CR4x00 Product Specification (CRDS 43929) (CD-ROM Chaparral Exhibits P267), Jun. 1, 1998.
- Symbios Logic—Hardware Functional Specification for the Symbios Logic Series 3 Fibre Channel Disk Array Controller Model 3701 (Engelbrecht Ex 3 (LSI-1659-1733)) (CD-ROM Pathlight Exhibits D074).
- Report of the Working Group on Storage I/O for Large Scale Computing; Department of Computer Science Duke University: CS-1996-21 (PTI 173330-347). (CD-ROM Pathlight Exhibits D098).
- Brian Allison's 1999 Third Quarter Sales Plan (PDX 38 )CNS 022120-132)) (CD-ROM Pathlight Exhibits D201), Jun. 5, 2001.
- Brooklyn SCSI-SCSI Intelligent External RAID Bridge Definition Phase External Documentation ((CD-ROM Pathlight Exhibits D129).
- StorageWorks HSx70 System Specification by Steve Sicola dated Jun. 11, 1996 4:57pm, Revision 4.
- ANSI TR X3.xxx-199x, Revision 9 of X3-991D. Draft Proposed X3 Technical Report—Small Computer System Interface—3 Generic Packetized Protocol (SCSI-GPP). Computer and Business Equipment Manufacturers Assoc.
- Enterprise Systems Connection (ESON) Implementation Guide, Jul. 1, 1996, IBM International Technical Support Organization, Poughkeepsie Center.
- Digital Delivers Industry-Leading Enterprise-Class Storage Solutions. StorageWorks Family Provides Easiest Path to Fibre Channel. Three pages by Company News Oncall dated Sep. 9, 2004.
- American National Standard for Information Technology—Fibre Channel Protocol for SCSI. AnSI X3.269-1996, 1996.
- F1710A File Control Unit and F6493 Array Disk Subsystem by Hitoshi Matsushima, Shojiro Okada and Tetsuro Kudo, Feb. 3, 1995.
- The Legend of AMDAHL by Jeffrey L. Rodengen (5 pages).
- Office Action dated Feb. 6, 2007 from the Japanese Patent Office regarding related application No. 526873/2000.
- InfoServer 100 System Operation Guide, Order No. EK-DIS1K-UG-001.
- iNFOsERVER 100 Installation and Owner's Guide, Order No. EK-DIS1K-IN-001.
- Software Product Description: Product Name: InfoServer 100 Software, Version 1.1 SPD 38.59.00, Nov. 1, 1991.
- Software Product Description: Product Name: InfoServer Client for ULTRIX, Version 1.1, SPD 40.78.01, Apr. 1, 1993.
- Draft Proposed American National Standard. X3.269-199X, Revision 012. Information System—dpANS Fibre Channel Protocol fo SCSI, Dec. 4, 1995.
- Impactdata Launches Breakthrough Architecture for Network Storage, Nov. 13, 1996.
- Impactdata..News Release: Impactdata Introduces New Storage Architecture for High Performance Computing. 2 Pages, Nov. 12, 1996.
- Impactdata..News Release: Impactdata's Network Peripheral Adapter (NPA) Pushes Technology Envelope of Data Storage Management in High-Speed Computing Environments. 2 Pages, Nov. 12, 1996.
- Impactdata..News Release: Impactdata and Storage Concepts Announce Integration of FibreRAID II Storage Solution with Impactdata's Distributed Storage Node Architecture (DSNA). 2 pages, Nov. 18, 1996.

- Impactdata..News Release: Breece Hill Libraries Now Able to Attach Directly to High Speed Networks Peripheral Adapter from Impactdata. 2 Pages, Nov. 20, 1996.
- Impactdata—DSNA Questions and Answers. 22 Pages.
- Impactdata—Network Storage Solutions. 4 pages.
- Network Storage Building Blocks. 2 Pages.
- Impactdata—NPA (Network Peripheral Interface). 4 Pages.
- Impactdata—CPI (Common Peripheral Interface). 2 Pages.
- Impactdata—SNC (Storage Node Controller). 2 Pages.
- Impactdata—DSNA (Distributed Storage Node Architecture) Protocol. 2 Pages.
- Impactdata—DS-50. 2 Pages.
- Impactdata—Corporate Fact Sheet. 1 Page.
- Raider-5 “Disk Array Manual for the UltraSCSI Controller”. Part No. 261-0013-002. 191 Pages.
- Impactdata—White Paper: Distributed Storage Node Architecture (DSNA). Jan. 1997.
- Impactdata—DSNA Distributed Storage Node Architecture “Reference Guide”. 44 Pages.
- F1710 Logic Specification.
- Translation of Final Office Action in JP 526873/2000 issued on May 14, 2008. 4 pages.
- U.S. Office Action issued in U.S. Appl. No. 11/851,837 dated Dec. 22, 2008, Hoese, 7 pages.
- English Translation of Japanese Laid-Open Publication No. 5-181609. 9 pgs, Jul. 23, 1993.
- English Translation of Japanese Laid-Open Publication No. 7-20994. 57 pgs, Jan. 24, 1995.
- F1710 File Control Unit (FCU) Logical Specifications. 11 Pages, Dec. 9, 1997.
- American National Standard for Information Systems: Fibre Channel—Cross-Point Switch Fabric Topology (FC-XS); X3T11/Project 959D/Rev 1.30. 114 pgs, Jun. 17, 1994.
- Questioning Mailed Jun. 8, 2010 from JP Patent Application 526873/2000. 8 pages.
- Office Action Mailed Aug. 17, 2010 in U.S. Appl. No. 11/947,499 to Hoese. 6 pgs.
- Office Action Mailed Sep. 13, 2010 in U.S. Appl. No. 11/980,909.
- Office Action Mailed Sep. 13, 2010 in U.S. Appl. No. 12/552,807.
- Office Action mailed Sep. 15, 2010 in U.S. Appl. No. 12/552,885.
- Office Action Mailed Sep. 23, 2010 in U.S. Appl. No. 12/552,913.
- Office Action Mailed Sep. 10, 2010 in U.S. Appl. No. 12/690,592.
- Office Action Mailed Dec. 2, 2010 in U.S. Appl. No. 12/910,375.
- Office Action Mailed Dec. 3, 2010 in U.S. Appl. No. 12/910,431.
- Office Action Mailed Dec. 3, 2010 in U.S. Appl. No. 12/910,515.
- SCSI Applications on Fibre Channel by Robert Snively, p. 104-113, 1992.
- Chen, et al. “A Fibre Channel-Based Architecture for Internet Multimedia Server Clusters”, pp. 437-450. Dec. 12, 1997.
- Search Report and Written Opinion issued for European Patent Application 10 012 770.3-2413, 4 pgs. Jun. 10, 2011.
- Search Report and Written Opinion issued for European Patent Application 10 012 768.7-2413, 4 pgs. Jun. 10, 2011.
- Draft Proposed X3 Technical Report—*Small Computer System Interface—Generic Packetized Protocol (SCSI-GPP)*, Computer and Business Equipment Manufacturers Association.
- Enterprise Systems Connection (ESCON) Implementation Guide*, IBM Technical Support Organization, Poughkeepsie Center, Jul. 1996.
- For Information Technology—Fibre Channel Protocol for SCSI*, American National Standard, Apr. 8, 1996.
- Digital Storage-Works HSZ70 Array Controller HSOF Version 7.0 EK-SHZ70-RM.A01 CLI Reference Manual, Jul. 1, 1997.
- Digital StorageWorks HSZ270 Array Controller HSOF Version 7.0 EK-HSZ70-SV. A01, 1997.
- Fiber Channel and ATM: The Physical Layers Quam WESCON/94, published Sep. 27-29, 1994. pp. 648-652.
- Gen5 S-Series XL System Guide Revision 1.01 by Chen. Jun. 18, 1905.
- Implementing a Fibre Channel SCSI transport by Snively, 1994.
- IBM Technical Publication: Magstar and IBM.3590 High Performance Tape Subsystem Technical Guide, pp. 1-269, Nov. 1, 1996.
- Johnson, D.B., et al., The Peregrine High Performance RPC System. *Software-Practice and Experience*, 23(2):201-221, Feb. 1993.
- Petal: Distributed Virtual Disks, Edward K. Lee and Chandramohan A. Thekkah, *ACM SIGPLAN Notices*, vol. 31, Issue 9. Sep. 1996. pp. 84-92.
- S.P. Joshi, “Ethernet controller chip interface with variety of 16-bit processors,” *electronic Design*, Hayden Publishing Co., Inc., Rochelle Park, NJ, Oct. 14, 1982. pp. 193-200.
- European Office Action issued Apr. 1, 2004 in Application No. 98966104.6-2413.
- Plaintiff’s Fourth Amended Trial Exhibit List, *Crossroads Systems, Inc. v. Chaparral Network Storage, Inc.* C.A. No. A-00CA-217-SS (W.D. Tex. 2001) (CD-Rom).
- Plaintiff’s Revised Trial Exhibit List, *Crossroads Systems, Inc. v. Pathlight Technology, Inc.*, C.A. A-00CA-248-SS (W.D. Tex. 2001), (CD-Rom).
- Trail Transcripts, *Crossroads Systems, Inc. v. Chaparral Network Storage, Inc.*, C.A. No. A-00CA-217-SS (W.D. Tex. 2001) Day 1-4 (CD-Rom).
- Trail Transcripts, *Crossroads Systems, Inc. v. Pathlight Technology, Inc.*, C.A. No. A-00CA-248-SS (W.D. Tex. 2001). Day 1-4 (CD-Rom).
- Bridge. C. Bridge Between SCSI-2 and SCSI-3 FCP (Fibre Channel Protocol) (CD-ROM Chaparral Exhibit p. 214).
- Brooklyn Hardware Engineering Requirements Document, Revision 1.4 (Lavan Ex 4 (CNS 178188-21)) (CD-ROM Chaparral Exhibits D024) by Pecone, May 26, 1996.
- AEC-4412B, AEC7412/3B External RAID Controller Hardware OEM Manual, Revision 3.0. (Lavan Ex 17 (CNS 177124-165)) (CD-ROM Chaparral Exhibits D037), Aug. 25, 1997.
- Emails Date Jan. 13-Mar. 31, 1997 from P. Collins to Mo re: Status Reports (Kalwitz Ex 3 (CNS 182501-511)) (CD-ROM Chaparral Exhibits D055).
- Brian Allison’s 1999 Third Quarter Sales Plan (PDX38)(CNS 022120-132)) (CD-ROM Pathlight Exhibits D201), Jun. 5, 2001.
- StorageWorks HSx70 System Specification by Steven Sicola dated Jun. 11, 1996 4:57pm, Revision 4.
- Three pages by Company News Oncall dated Sep. 9, 2004.
- The Legend of AMDAHL* by Jeffrey L. Rodengen.







## STORAGE ROUTER AND METHOD FOR PROVIDING VIRTUAL LOCAL STORAGE

**Matter enclosed in heavy brackets [ ] appears in the original patent but forms no part of this reissue specification; matter printed in italics indicates the additions made by reissue.**

### CROSS-REFERENCE TO RELATED APPLICATION

This application is a continuation of, and claims a benefit of priority under 35 U.S.C. 120 of the filing date of, U.S. patent application Ser. No. 10/658,163 by inventors Geoffrey B. Hoese and Jeffry T. Russell, entitled "Storage Router and Method for Providing Virtual Local Storage" filed on Sep. 9, 2003, now U.S. Pat. No. 7,051,147, *which in turn is a continuation of U.S. application Ser. No. 10/081,110 by inventors Geoffrey B. Hoese and Jeffry T. Russell, entitled "Storage Router and Method for Providing Virtual Local Storage" filed on Feb. 22, 2002, now U.S. Pat. No. 6,789,152, which in turn is a continuation of U.S. Application Ser. No. 09/354,682 by inventors Geoffrey B. Hoese and Jeffry T. Russell, entitled "Storage Router and Method for Providing Virtual Local Storage" filed on Jul. 15, 1999, now U.S. Pat. No. 6,421,753, which in turn is a continuation of U.S. patent application Ser. No. 09/001,799, filed on Dec. 31, 1997, now U.S. Pat. No. 5,941,972. [All of the above referenced applications and patents are hereby incorporated by reference in their entireties as if they had been fully set forth herein.] Each of U.S. patent application Ser. Nos. 10/658,163, 09/354,682, and 09/001,799 are hereby incorporated by reference in their entireties as if they had been fully set forth herein.*

### TECHNICAL FIELD OF THE INVENTION

This invention relates in general to network storage devices, and more particularly to a storage router and method for providing virtual local storage on remote SCSI storage devices to Fibre Channel devices.

### BACKGROUND OF THE INVENTION

Typical storage transport mediums provide for a relatively small number of devices to be attached over relatively short distances. One such transport medium is a Small Computer System Interface (SCSI) protocol, the structure and operation of which is generally well known as is described, for example, in the SCSI-1, SCSI-2 and SCSI-3 specifications. High speed serial interconnects provide enhanced capability to attach a large number of high speed devices to a common storage transport medium over large distances. One such serial interconnect is Fibre Channel, the structure and operation of which is described, for example, in Fibre Channel Physical and Signaling Interface (FC-PH), ANSI X3.230 Fibre Channel Arbitrated Loop (FC-AL), and ANSI X3.272 Fibre Channel Private Loop Direct Attach (FC-PLDA).

Conventional computing devices, such as computer workstations, generally access storage locally or through network interconnects. Local storage typically consists of a disk drive, tape drive, CD-ROM drive or other storage device contained within, or locally connected to the workstation. The workstation provides a file system structure, that includes security controls, with access to the local storage device through native low level, block protocols. These protocols map directly to the mechanisms used by the storage device and

consist of data requests without security controls. Network interconnects typically provide access for a large number of computing devices to data storage on a remote network server. The remote network server provides file system structure, access control, and other miscellaneous capabilities that include the network interface. Access to data through the network server is through network protocols that the server must translate into low level requests to the storage device. A workstation with access to the server storage must translate its file system protocols into network protocols that are used to communicate with the server. Consequently, from the perspective of a workstation, or other computing device, seeking to access such server data, the access is much slower than access to data on a local storage device.

### SUMMARY OF THE INVENTION

In accordance with the present invention, a storage router and method for providing virtual local storage on remote SCSI storage devices to Fibre Channel devices are disclosed that provide advantages over conventional network storage devices and methods.

According to one aspect of the present invention, a storage router and storage network provide virtual local storage on remote SCSI storage devices to Fibre Channel devices. A plurality of Fibre Channel devices, such as workstations, are connected to a Fibre Channel transport medium, and a plurality of SCSI storage devices are connected to a SCSI bus transport medium. The storage router interfaces between the Fibre Channel transport medium and the SCSI bus transport medium. The storage router maps between the workstations and the SCSI storage devices and implements access controls for storage space on the SCSI storage devices. The storage router then allows access from the workstations to the SCSI storage devices using native low level, block protocol in accordance with the mapping and the access controls.

According to another aspect of the present invention, virtual local storage on remote SCSI storage devices is provided to Fibre Channel devices. A Fibre Channel transport medium and a SCSI bus transport medium are interfaced with. A configuration is maintained for SCSI storage devices connected to the SCSI bus transport medium. The configuration maps between Fibre Channel devices and the SCSI storage devices and implements access controls for storage space on the SCSI storage devices. Access is then allowed from Fibre Channel initiator devices to SCSI storage devices using native low level, block protocol in accordance with the configuration.

A technical advantage of the present invention is the ability to centralize local storage for networked workstations without any cost of speed or overhead. Each workstation access its virtual local storage as if it work locally connected. Further, the centralized storage devices can be located in a significantly remote position even in excess of ten kilometers as defined by Fibre Channel standards.

Another technical advantage of the present invention is the ability to centrally control and administer storage space for connected users without limiting the speed with which the users can access local data. In addition, global access to data, backups, virus scanning and redundancy can be more easily accomplished by centrally located storage devices.

A further technical advantage of the present invention is providing support for SCSI storage devices as local storage for Fibre Channel hosts. In addition, the present invention

helps to provide extended capabilities for Fibre Channel and for management of storage subsystems.

#### BRIEF DESCRIPTION OF THE DRAWINGS

A more complete understanding of the present invention and the advantages thereof may be acquired by referring to the following description taken in conjunction with the accompanying drawings, in which like reference numbers indicate like features, and wherein:

FIG. 1 is a block diagram of a conventional network that provides storage through a network server;

FIG. 2 is a block diagram of one embodiment of a storage network with a storage router that provides global access and routing;

FIG. 3 is a block diagram of one embodiment of a storage network with a storage router that provides virtual local storage;

FIG. 4 is a block diagram of one embodiment of the storage router of FIG. 3; and

FIG. 5 is a block diagram of one embodiment of data flow within the storage router of FIG. 4.

#### DETAILED DESCRIPTION OF THE INVENTION

FIG. 1 is a block diagram of a conventional network, indicated generally at 10, that provides access to storage through a network server. As shown, network 10 includes a plurality of workstations 12 interconnected with a network server 14 via a network transport medium 16. Each workstation 12 can generally comprise a processor, memory, input/output devices, storage devices and a network adapter as well as other common computer components. Network server 14 uses a SCSI bus 18 as a storage transport medium to interconnect with a plurality of storage devices 20 (tape drives, disk drives, etc.). In the embodiment of FIG. 1, network transport medium 16 is an network connection and storage devices 20 comprise hard disk drives, although there are numerous alternate transport mediums and storage devices.

In network 10, each workstation 12 has access to its local storage device as well as network access to data on storage devices 20. The access to a local storage device is typically through native low level, block protocols. On the other hand, access by a workstation 12 to storage devices 20 requires the participation of network server 14 which implements a file system and transfers data to workstations 12 only through high level file system protocols. Only network server 14 communicates with storage devices 20 via native low level, block protocols. Consequently, the network access by workstations 12 through network server 14 is slow with respect to their access to local storage. In network 10, it can also be a logistical problem to centrally manage and administer local data distributed across an organization, including accomplishing tasks such as backups, virus scanning and redundancy.

FIG. 2 is a block diagram of one embodiment of a storage network, indicated generally at 30, with a storage router that provides global access and routing. This environment is significantly different from that of FIG. 1 in that there is no network server involved. In FIG. 2, a Fibre Channel high speed serial transport 32 interconnects a plurality of workstations 36 and storage devices 38. A SCSI bus storage transport medium interconnects workstations 40 and storage devices 42. A storage router 44 then serves to interconnect these mediums and provide devices on either medium global, transparent access to devices on the other medium. Storage router 44 routes requests from initiator devices on one medium to target devices on the other medium and routes data between

the target and the initiator. Storage router 44 can allow initiators and targets to be on either side. In this manner, storage router 44 enhances the functionality of Fibre Channel 32 by providing access, for example, to legacy SCSI storage devices on SCSI bus 34. In the embodiment of FIG. 2, the operation of storage router 44 can be managed by a management station 46 connected to the storage router via a direct serial connection.

In storage network 30, any workstation 36 or workstation 40 can access any storage device 38 or storage device 42 through native low level, block protocols, and vice versa. This functionality is enabled by storage router 44 which routes requests and data as a generic transport between Fibre Channel 32 and SCSI bus 34. Storage router 44 uses tables to map devices from one medium to the other and distributes requests and data across Fibre Channel 32 and SCSI bus 34 without any security access controls. Although this extension of the high speed serial interconnect provided by Fibre Channel 32 is beneficial, it is desirable to provide security controls in addition to extended access to storage devices through a native low level, block protocol.

FIG. 3 is a block diagram of one embodiment of a storage network, indicated generally at 50, with a storage router that provides virtual local storage. Similar to that of FIG. 2, storage network 50 includes a Fibre Channel high speed serial interconnect 52 and a SCSI bus 54 bridged by a storage router 56. Storage router 56 of FIG. 3 provides for a large number of workstations 58 to be interconnected on a common storage transport and to access common storage devices 60, 62 and 64 through native low level, block protocols.

According to the present invention, storage router 56 has enhanced functionality to implement security controls and routing such that each workstation 58 can have access to a specific subset of the overall data stored in storage devices 60, 62 and 64. This specific subset of data has the appearance and characteristics of local storage and is referred to herein as virtual local storage. Storage router 56 allows the configuration and modification of the storage allocated to each attached workstation 58 through the use of mapping tables or other mapping techniques.

As shown in FIG. 3, for example, storage device 60 can be configured to provide global data 65 which can be accessed by all workstations 58. Storage device 62 can be configured to provide partitioned subsets 66, 68, 70 and 72, where each partition is allocated to one of the workstations 58 (workstations A, B, C and D). These subsets 66, 68, 70 and 72 can only be accessed by the associated workstation 58 and appear to the associated workstation 58 as local storage accessed using native low level, block protocols. Similarly, storage device 64 can be allocated as storage for the remaining workstation 58 (workstation E).

Storage router 56 combines access control with routing such that each workstation 58 has controlled access to only the specified partition of storage device 62 which forms virtual local storage for the workstation 58. This access control allows security control for the specified data partitions. Storage router 56 allows this allocation of storage devices 60, 62 and 64 to be managed by a management station 76. Management station 76 can connect directly to storage router 56 via a direct connection or alternately, can interface with storage router 56 through either Fibre Channel 52 or SCSI bus 54. In the latter case, management station 76 can be a workstation or other computing device with special rights such that storage router 56 allows access to mapping tables and shows storage devices 60, 62 and 64 as they exist physically rather than as they have been allocated.

The environment of FIG. 3 extends the concept of a single workstation having locally connected storage devices to a

storage network **50** in which workstations **58** are provided virtual local storage in a manner transparent to workstations **58**. Storage router **56** provides centralized control of what each workstation **58** sees as its local drive, as well as what data it sees as global data accessible by other workstations **58**. Consequently, the storage space considered by the workstation **58** to be its local storage is actually a partition (i.e., logical storage definition) of a physically remote storage device **60**, **62** or **64** connected through storage router **56**. This means that similar requests from workstations **58** for access to their local storage devices produce different accesses to the storage space on storage devices **60**, **62** and **64**. Further, no access from a workstation **58** is allowed to the virtual local storage of another workstation **58**.

The collective storage provided by storage devices **60**, **62** and **64** can have blocks allocated by programming means within storage router **56**. To accomplish this function, storage router **56** can include routing tables and security controls that define storage allocation for each workstation **58**. The advantages provided by implementing virtual local storage in centralized storage devices include the ability to do collective backups and other collective administrative functions more easily. This is accomplished without limiting the performance of workstations **58** because storage access involves native low level, block protocols and does not involve the overhead of high level protocols and file systems required by network servers.

FIG. **4** is a block diagram of one embodiment of storage router **56** of FIG. **3**. Storage router **56** can comprise a Fibre Channel controller **80** that interfaces with Fibre Channel **52** and a SCSI controller **82** that interfaces with SCSI bus **54**. A buffer **84** provides memory work space and is connected to both Fibre Channel controller **80** and to SCSI controller **82**. A supervisor unit **86** is connected to Fibre Channel controller **80**, SCSI controller **82** and buffer **84**. Supervisor unit **86** comprises a microprocessor for controlling operation of storage router **56** and to handle mapping and security access for requests between Fibre Channel **52** and SCSI bus **54**.

FIG. **5** is a block diagram of one embodiment of data flow within storage router **56** of FIG. **4**. As shown, data from Fibre Channel **52** is processed by a Fibre Channel (FC) protocol unit **88** and placed in a FIFO queue **90**. A direct memory access (DMA) interface **92** then takes data out of FIFO queue **90** and places it in buffer **84**. Supervisor unit **86** processes the data in buffer **84** as represented by supervisor processing **93**. This processing involves mapping between Fibre Channel **52** and SCSI bus **54** and applying access controls and routing functions. A DMA interface **94** then pulls data from buffer **84** and places it into a buffer **96**. A SCSI protocol unit **98** pulls data from buffer **96** and communicates the data on SCSI bus **54**. Data flow in the reverse direction, from SCSI bus **54** to Fibre Channel **52**, is accomplished in a reverse manner.

The storage router of the present invention is a bridge device that connects a Fibre Channel link directly to a SCSI bus and enables the exchange of SCSI command set information between application clients on SCSI bus devices and the Fibre Channel links. Further, the storage router applies access controls such that virtual local storage can be established in remote SCSI storage devices for workstations on the Fibre Channel link. In one embodiment, the storage router provides a connection for Fibre Channel links running the SCSI Fibre Channel Protocol (FCP) to legacy SCSI devices attached to a SCSI bus. The Fibre Channel topology is typically an Arbitrated Loop (FC\_AL).

In part, the storage router enables a migration path to Fibre Channel based, serial SCSI networks by providing connectivity for legacy SCSI bus devices. The storage router can be

attached to a Fibre Channel Arbitrated Loop and a SCSI bus to support a number of SCSI devices. Using configuration settings, the storage router can make the SCSI bus devices available on the Fibre Channel network as FCP logical units. Once the configuration is defined, operation of the storage router is transparent to application clients. In this manner, the storage router can form an integral part of the migration to new Fibre Channel based networks while providing a means to continue using legacy SCSI devices.

In one implementation (not shown), the storage router can be a rack mount or free standing device with an internal power supply. The storage router can have a Fibre Channel and SCSI port, and a standard, detachable power cord can be used, the FC connector can be a copper DB9 connector, and the SCSI connector can be a 68-pin type. Additional modular jacks can be provided for a serial port and a 802.3 10BaseT port, i.e. twisted pair Ethernet, for management access. The SCSI port of the storage router can support SCSI direct and sequential access target devices and can support SCSI initiators, as well. The Fibre Channel port can interface to SCSI-3 FCP enabled devices and initiators.

To accomplish its functionality, one implementation of the storage router uses: a Fibre Channel interface based on the HEWLETT-PACKARD TACHYON HPFC-5000 controller and a GLM media interface; an Intel 80960RP processor, incorporating independent data and program memory spaces, and associated logic required to implement a stand alone processing system; and a serial port for debug and system configuration. Further, this implementation includes a SCSI interface supporting Fast-20 based on the SYMBIOS 53C8xx series SCSI controllers, and an operating system based upon the WIND RIVERS SYSTEMS VXWORKS or IXWORKS kernel, as determined by design. In addition, the storage router includes software as required to control basic functions of the various elements, and to provide appropriate translations between the FC and SCSI protocols.

The storage router has various modes of operation that are possible between FC and SCSI target and initiator combinations. These modes are: FC Initiator to SCSI Target; SCSI Initiator to FC Target; SCSI Initiator to SCSI Target; and FC Initiator to FC Target. The first two modes can be supported concurrently in a single storage router device are discussed briefly below. The third mode can involve two storage router devices back to back and can serve primarily as a device to extend the physical distance beyond that possible via a direct SCSI connection. The last mode can be used to carry FC protocols encapsulated on other transmission technologies (e.g. ATM, SONET), or to act as a bridge between two FC loops (e.g. as a two port fabric).

The FC Initiator to SCSI Target mode provides for the basic configuration of a server using Fibre Channel to communicate with SCSI targets. This mode requires that a host system have an FC attached device and associated device drivers and software to generate SCSI-3 FCP requests. This system acts as an initiator using the storage router to communicate with SCSI target devices. The SCSI devices supported can include SCSI-2 compliant direct or sequential access (disk or tape) devices. The storage router serves to translate command and status information and transfer data between SCSI-3 FCP and SCSI-2, allowing the use of standard SCSI-2 devices in a Fibre Channel environment.

The SCSI Initiator to FC Target mode provides for the configuration of a server using SCSI-2 to communicate with Fibre Channel targets. This mode requires that a host system has a SCSI-2 interface and driver software to control SCSI-2 target devices. The storage router will connect to the SCSI-2 bus and respond as a target to multiple target IDs. Configu-

ration information is required to identify the target IDs to which the bridge will respond on the SCSI-2 bus. The storage router then translates the SCSI-2 requests to SCSI-3 FCP requests, allowing the use of FC devices with a SCSI host system. This will also allow features such as a tape device acting as an initiator on the SCSI bus to provide full support for this type of SCSI device.

In general, user configuration of the storage router will be needed to support various functional modes of operation. Configuration can be modified, for example, through a serial port or through an Ethernet port via SNMP (simple network management protocol) or a Telnet session. Specifically, SNMP manageability can be provided via an 802.3 Ethernet interface. This can provide for configuration changes as well as providing statistics and error information. Configuration can also be performed via TELNET or RS-232 interfaces with menu driven command interfaces. Configuration information can be stored in a segment of flash memory and can be retained across resets and power off cycles. Password protection can also be provided.

In the first two modes of operation, addressing information is needed to map from FC addressing to SCSI addressing and vice versa. This can be 'hard' configuration data, due to the need for address information to be maintained across initialization and partial reconfigurations of the Fibre Channel address space. In an arbitrated loop configuration, user configured addresses will be needed for AL\_PAs in order to insure that known addresses are provided between loop reconfigurations.

With respect to addressing, FCP and SCSI 2 systems employ different methods of addressing target devices. Additionally, the inclusion of a storage router means that a method of translating device IDs needs to be implemented. In addition, the storage router can respond to commands without passing the commands through to the opposite interface. This can be implemented to allow all generic FCP and SCSI commands to pass through the storage router to address attached devices, but allow for configuration and diagnostics to be performed directly on the storage router through the FC and SCSI interfaces.

Management commands are those intended to be processed by the storage router controller directly. This may include diagnostic, mode, and log commands as well as other vendor-specific commands. These commands can be received and processed by both the FCP and SCSI interfaces, but are not typically bridged to the opposite interface. These commands may also have side effects on the operation of the storage router, and cause other storage router operations to change or terminate.

A primary method of addressing management commands though the FCP and SCSI interfaces can be through peripheral device type addressing. For example, the storage router can respond to all operations addressed to logical unit (LUN) zero as a controller device. Commands that the storage router will support can include INQUIRY as well as vendor-specific management commands. These are to be generally consistent with SCC standard commands.

The SCSI bus is capable of establishing bus connections between targets. These targets may internally address logical units. Thus, the prioritized addressing scheme used by SCSI subsystems can be represented as follows: BUS:TARGET: LOGICAL UNIT. The BUS identification is intrinsic in the configuration, as a SCSI initiator is attached to only one bus. Target addressing is handled by bus arbitration from information provided to the arbitrating device. Target addresses are assigned to SCSI devices directly, though some means of configuration, such as a hardware jumper, switch setting, or

device specific software configuration. As such, the SCSI protocol provides only logical unit addressing within the Identify message. Bus and target information is implied by the established connection.

Fibre Channel devices within a fabric are addressed by a unique port identifier. This identifier is assigned to a port during certain well-defined states of the FC protocol. Individual ports are allowed to arbitrate for a known, user defined address. If such an address is not provided, or if arbitration for a particular user address fails, the port is assigned a unique address by the FC protocol. This address is generally not guaranteed to be unique between instances. Various scenarios exist where the AL-PA of a device will change, either after power cycle or loop reconfiguration.

The FC protocol also provides a logical unit address field within command structures to provide addressing to devices internal to a port. The FCP\_CMD payload specifies an eight byte LUN field. Subsequent identification of the exchange between devices is provided by the FQXID (Fully Qualified Exchange ID).

FC ports can be required to have specific addresses assigned. Although basic functionality is not dependent on this, changes in the loop configuration could result in disk targets changing identifiers with the potential risk of data corruption or loss. This configuration can be straightforward, and can consist of providing the device a loop-unique ID (AL\_PA) in the range of "01h" to "EFh." Storage routers could be shipped with a default value with the assumption that most configurations will be using single storage routers and no other devices requesting the present ID. This would provide a minimum amount of initial configuration to the system administrator. Alternately, storage routers could be defaulted to assume any address so that configurations requiring multiple storage routers on a loop would not require that the administrator assign a unique ID to the additional storage routers.

Address translation is needed where commands are issued in the cases FC Initiator to SCSI Target and SCSI Initiator to FC Target. Target responses are qualified by the FQXID and will retain the translation acquired at the beginning of the exchange. This prevents configuration changes occurring during the course of execution of a command from causing data or state information to be inadvertently misdirected. Configuration can be required in cases of SCSI Initiator to FC Target, as discovery may not effectively allow for FCP targets to consistently be found. This is due to an FC arbitrated loop supporting addressing of a larger number of devices than a SCSI bus and the possibility of FC devices changing their AL-PA due to device insertion or other loop initialization.

In the direct method, the translation to BUS:TARGET: LUN of the SCSI address information will be direct. That is, the values represented in the FCP LUN field will directly map to the values in effect on the SCSI bus. This provides a clean translation and does not require SCSI bus discovery. It also allows devices to be dynamically added to the SCSI bus without modifying the address map. It may not allow for complete discovery by FCP initiator devices, as gaps between device addresses may halt the discovery process. Legacy SCSI device drivers typically halt discovery on a target device at the first unoccupied LUN, and proceed to the next target. This would lead to some devices not being discovered. However, this allows for hot plugged devices and other changes to the loop addressing.

In the ordered method, ordered translation requires that the storage router perform discovery on reset, and collapses the addresses on the SCSI bus to sequential FCP LUN values. Thus, the FCP LUN values 0-N can represent N+1 SCSI

devices, regardless of SCSI address values, in the order in which they are isolated during the SCSI discovery process. This would allow the FCP initiator discovery process to identify all mapped SCSI devices without further configuration. This has the limitation that hot-plugged devices will not be identified until the next reset cycle. In this case, the address may also be altered as well.

In addition to addressing, according to the present invention, the storage router provides configuration and access controls that cause certain requests from FC Initiators to be directed to assigned virtual local storage partitioned on SCSI storage devices. For example, the same request for LUN 0 (local storage) by two different FC Initiators can be directed to two separate subsets of storage. The storage router can use tables to map, for each initiator, what storage access is available and what partition is being addressed by a particular request. In this manner, the storage space provided by SCSI storage devices can be allocated to FC initiators to provide virtual local storage as well as to create any other desired configuration for secured access.

Although the present invention has been described in detail, it should be understood that various changes, substitutions, and alterations can be made hereto without departing from the spirit and scope of the invention as defined by the appended claims.

What is claimed is:

1. A storage router for providing virtual local storage on storage devices to a host device, comprising:

a buffer providing memory work space for the storage router;

a first controller operable to connect to and interface with a first transport medium;

a second controller operable to connect to and interface with a second transport medium, wherein the first transport medium is connected to a host device and the second transport medium is connected to the storage devices, and wherein at least one of the first transport medium and the second transport medium is a serial transport medium; and

a supervisor unit coupled to the first and second controllers and the buffer, the supervisor unit operable to:

maintain a map that maps between the host device and at least a portion of the storage devices, the map comprising a representation of the host device and a representation of at least a portion of a first storage device; and

access the map to control access from the host devices connected to the first transport medium to the storage devices to allow the host device to access the at least a portion of the first storage device through native low level block protocol.

2. The storage router of claim 1, wherein, for a request received from the host device according to a native low level block protocol, the supervisor unit is further operable to:

access the map to determine the appropriate storage space on the at least a portion of the first storage device using a host identification for the host device;

forward the request to the first storage device according to the native low level block protocol.

3. The storage router of claim 1, wherein the map further maps between the host device and at least a portion of a second storage device.

4. The storage router of claim 3, wherein the map further maps between at least one other host device and the at least a portion of the second storage device.

5. The storage router of claim 1, wherein the host device comprises a workstation.

6. The storage router of claim 1, wherein the storage devices comprise hard disk drives.

7. The storage router of claim 1, wherein the first controller comprises:

a protocol unit operable to connect to the transport medium;

a first-in-first-out queue coupled to the protocol unit; and a direct memory access (DMA) interface coupled to the first-in-first-out queue and to the buffer.

8. The storage router of claim 7, wherein the second controller comprises:

a protocol unit operable to connect to the transport medium;

a first-in-first-out queue coupled to the protocol unit; and a direct memory access (DMA) interface coupled to the first-in-first-out queue and to the buffer.

9. The storage router of claim 1, wherein the native low level block protocol is SCSI.

10. The storage router of claim 9, wherein the SCSI native low level block protocol is encapsulated in a Fibre Channel transport protocol on the first transport medium.

11. The storage router of claim 9, wherein the SCSI native low level block protocol is encapsulated in a Fibre Channel transport protocol on the second transport medium.

12. The storage router of claim 9, wherein the SCSI native low level block protocol is encapsulated in an iSCSI transport protocol on the first transport medium.

13. The storage router of claim 9, wherein the SCSI native low level block protocol is encapsulated in an iSCSI transport protocol on the second transport medium.

14. The storage router of claim 1, wherein the native low level block protocol is ATA.

15. The storage router of claim 1, wherein the native low level block protocol is encapsulated in a Fibre Channel transport protocol on the first transport medium.

16. The storage router of claim 1, wherein the native low level block protocol is encapsulated in an iSCSI transport protocol on the first transport medium.

17. The storage router of claim 1, wherein the native low level block protocol at the host device is SCSI.

18. The storage router of claim 17, wherein the native low level block protocol at the storage device is SCSI.

19. The storage router of claim 1, wherein the supervisor unit further comprises a processor.

20. The storage router of claim 19, wherein the processor comprises one of an ASIC, microprocessor, CPU, microcontroller or DSP.

21. The storage router of claim 1, wherein the supervisor unit maintains an allocation of subsets of storage space to associated host devices connected to the first transport medium, wherein each subset is only accessible by the associated host device connected to the first transport medium.

22. The storage router of claim 1, wherein, for the host device, the map maps from a host identification for the host device to a physical address for the at least a portion of the first storage device.

23. The storage router of claim 1, wherein, for the host device, the map maps from the host identification for the host device to a virtual address for the at least a portion of the first storage device to a physical address for the at least a portion of the first storage device.

24. The storage router of claim 1, wherein, for the first host device connected to the first transport medium, the map maps from the first host identification to a virtual address an associated subset of storage to a physical address for the associated subset of storage.

## 11

25. The storage router of claim 17, wherein the native low level block protocol at the storage device is ATA.

26. The storage router of claim 17, wherein the native low level block protocol at the storage device is SATA.

27. The storage router of claim 17, wherein the native low level block protocol at the storage device is SAS (Serial Attached SCSI).

28. The storage router of claim 17, wherein the supervisor unit is further operable to translate the SCSI low level block protocol command from the host device to an ATA low level block protocol command for the at least a portion of the first storage device to allow the host device to access the at least a portion of the first storage device.

29. The storage router of claim 17, wherein the supervisor unit is further operable to translate the SCSI low level block protocol command from the host device to an SATA low level block protocol command for the at least a portion of the first storage device to allow the host device to access the at least a portion of the first storage device using native low level block protocol.

30. The storage router of claim 17, wherein the supervisor unit is further operable to allow the host device to access the at least a portion of the first storage device using a SAS low level block protocol at the storage device.

31. The storage router of claim 1, wherein the native low level block protocol at the host device is SCSI and the SCSI native low level block protocol at the host device is encapsulated in an iSCSI transport protocol to transport the SCSI native low level block protocol to the first controller via the first transport medium.

32. A storage router for providing virtual local storage on storage devices to a host device, comprising:

a buffer providing memory work space for the storage router;

a first controller operable to connect to and interface with a first transport medium;

a second controller operable to connect to and interface with a second transport medium, wherein at least one of the first transport medium and the second transport medium is a serial transport medium; and

a supervisor unit coupled to the first and second controllers and the buffer, the supervisor unit operable to:

maintain a map that comprises host identifications for host devices on the first transport medium and representations of at least a portion of a storage device on the second transport medium, the map associating subsets of storage space on the storage devices connected to the second transport medium with the host devices connected to the first transport medium; and for a request received from a first host, access the map to determine the storage space associated with a first host using the host identification for the first host to direct the request to the appropriate subset of storage space, wherein the request is received from the first host and forwarded to the storage device containing the storage space using a native low level block protocol format.

33. The storage router of claim 32, wherein a particular subset of storage space comprises a single storage device, storage on multiple storage devices, a portion of a single storage device or portions of storage on multiple storage devices.

34. The storage router of claim 32, wherein at least one subset of storage space is associated with multiple devices connected to the first transport medium.

## 12

35. The storage router of claim 32, wherein the map further defines global storage available to any host device on the first transport medium.

36. The storage router of claim 35, wherein a device on the first transport medium not represented in the map is allowed access to the global storage.

37. The storage router of claim 32, wherein each subset of storage space is only accessible by devices on the first transport medium associated with that subset of storage space in the map.

38. The storage router of claim 32, wherein the supervisor unit is further operable to direct requests to a same address from different devices on the first transport medium to different associated subsets of storage based on the map.

39. The storage router of claim 32, wherein at least one subset of storage is accessible by at least two hosts.

40. The storage router of claim 32, wherein the devices connected to the first transport medium comprise workstations.

41. The storage router of claim 32, wherein the storage devices comprise hard disk drives.

42. The storage router of claim 32, wherein the first controller comprises:

a protocol unit operable to connect to the transport medium;

a first-in-first-out queue coupled to the protocol unit; and a direct memory access (DMA) interface coupled to the first-in-first-out queue and to the buffer.

43. The storage router of claim 42, wherein the second controller comprises:

a protocol unit operable to connect to the transport medium;

a first-in-first-out queue coupled to the protocol unit; and a direct memory access (DMA) interface coupled to the first-in-first-out queue and to the buffer.

44. The storage router of claim 32, wherein the native low level block protocol is SCSI.

45. The storage router of claim 44, wherein the SCSI native low level block protocol is encapsulated in a Fibre Channel transport protocol on the first transport medium.

46. The storage router of claim 44, wherein the SCSI native low level block protocol is encapsulated in a Fibre Channel transport protocol on the second transport medium.

47. The storage router of claim 44, wherein the SCSI native low level block protocol is encapsulated in an SCSI transport protocol on the first transport medium.

48. The storage router of claim 44, wherein the SCSI native low level block protocol is encapsulated in an SCSI transport protocol on the second transport medium.

49. The storage router of claim 32, wherein the native low level block protocol is ATA.

50. The storage router of claim 32, wherein the native low level block protocol is encapsulated in a Fibre Channel transport protocol on the first transport medium.

51. The storage router of claim 32, wherein the native low level block protocol is encapsulated in an iSCSI transport protocol on the first transport medium.

52. The storage router of claim 32, wherein the native low level block protocol at the host device is SCSI.

53. The storage router of claim 52, wherein the native low level block protocol at the storage device is SCSI.

54. The storage router of claim 32, wherein the supervisor unit further comprises a processor.

55. The storage router of claim 54, wherein the processor comprises one of an ASIC, microprocessor, CPU, microcontroller or DSP.

## 13

56. The storage router of claim 32, wherein, for the first host device connected to the first transport medium, the map maps from the first host identification to a physical address corresponding to an associated subset of storage.

57. The storage router of claim 52, wherein the native low level block protocol at the storage device is ATA.

58. The storage router of claim 52, wherein the native low level block protocol at the storage device is SATA.

59. The storage router of claim 52, wherein the native low level block protocol at the storage device is SAS.

60. A method for providing virtual local storage on storage devices connected to a first transport medium to host devices connected to a second transport medium, comprising:

interfacing with a first transport medium;

interfacing with a second transport medium, wherein at least one of the first transport medium and the second transport medium is a serial transport medium; and

maintaining a map that maps between the host devices and the storage devices, the map comprising a representation of at least one host device and a representation of at least a portion of a first storage device; and

controlling access from the host devices to the storage devices using the map; and

accessing the storage devices from the host devices using native low level block protocol.

61. The method of claim 60, further comprising:

sending a request from a first host device for a particular storage space on the first storage device to a routing device according to a native low level block protocol;

accessing the map to determine whether the first host device may access the particular storage space on the first storage device; and

if the first host device may access the particular storage space on the first storage device, forwarding request to the first storage device according to the native low level block protocol.

62. The method of claim 61, wherein accessing the map to determine whether the first host device may access the particular storage space on the first storage device further comprises comparing a host identification for the first host device to a host identification in the map.

63. The method of claim 60, wherein maintaining a map that maps between the host devices and the storage devices, further comprises mapping a representation of a first host device and a representation of a second host device to a representation of at least a portion of a first storage device and a representation of at least a portion of a second storage device.

64. The method of claim 60, wherein accessing the storage devices from the host devices using native low level block protocol further comprises communicating from the host devices to the storage devices using SCSI as the native low level block protocol.

65. The method of claim 61, wherein the accessing the storage devices from the host devices using native low level block protocol further comprises creating a SCSI protocol command at the host device, forwarding the SCSI command to the routing device, and forwarding a SCSI command from the routing device to the storage device.

66. The method of claim 65, further comprising encapsulating the SCSI protocol command from the host device to the routing device in a Fibre Channel transport protocol for transporting on the first transport medium.

67. The method of claim 65, further comprising encapsulating the SCSI protocol command from the host device to the routing device in an iSCSI transport protocol for transporting on the first transport medium.

## 14

68. The method of claim 65, wherein the SCSI protocol command from the routing device to the storage device is encapsulated in a Fibre Channel transport protocol for transporting on the second transport medium.

69. The method of claim 61, wherein the accessing the storage devices from the host devices using native low level block protocol further comprises forwarding a SCSI low level block protocol command to the routing device.

70. The method of claim 69, the accessing the storage devices from the host devices using native low level block protocol further comprises forwarding an ATA low level block protocol command to the storage device.

71. The method of claim 69, the accessing the storage devices from the host devices using native low level block protocol further comprises forwarding an SATA low level block protocol command to the storage device.

72. The method of claim 69, the accessing the storage devices from the host devices using native low level block protocol further comprises forwarding a SAS low level block protocol command to the storage device.

73. The method of claim 60, further comprising encapsulating the native low level block protocol in a Fibre Channel transport protocol for transport on the first transport medium.

74. The method of claim 60, further comprising encapsulating the native low level block protocol in an iSCSI transport protocol for transport on the first transport medium.

75. The method of claim 70, further comprising translating the SCSI low level block protocol command from the host device to an ATA low level block protocol command for storage device.

76. The method of claim 71, further comprising translating the SCSI low level block protocol command from the host device to an SATA low level block protocol command for storage device.

77. The method of claim 60, wherein maintaining a map that maps between the host devices and the storage devices further comprises maintaining an allocation of subsets of storage space to associated host devices, wherein each subset is only accessible by host devices associated with the subset.

78. The method of claim 60, wherein maintaining a map that maps between the host devices and the storage devices further comprises mapping a host identification for each host device to a logical address for each at least a portion of each storage device.

79. A method for providing virtual local storage on storage devices to a host device, wherein the host device is connected to a first transport medium, the storage devices are connected to a second transport medium and at least one of the first and second transport mediums is a serial transport medium, comprising:

maintaining a map comprising host identifiers for each host device representations of at least a portion of each storage device by associating each host identification with zero or more representations of at least a portion of each storage device; and

receiving a request from a first host device for access to a first portion of a storage device;

accessing the map to whether the first host may access the requested portion of the first storage device; and

if the first host may access the requested portion of the first storage device, forwarding the request to the portion of the first storage device using a native low level block protocol.

80. The method of claim 79, wherein the at least a portion of the first storage device comprises a single storage device,

**15**

storage on multiple storage devices, a portion of a single storage device or portions of storage on multiple storage devices.

**81.** The method of claim **79**, wherein receiving a request from a first host device for access to a first portion of a storage device further comprises receiving a request comprising a SCSI request for access.

**82.** The method of claim **81**, further comprising encapsulating the SCSI request for access in an iSCSI transport protocol and transporting the encapsulated SCSI request from the host device on the first transport medium.

**83.** The method of claim **82**, wherein the native low level block protocol at the storage device is SCSI.

**84.** The method of claim **82**, wherein the native low level block protocol at the storage device is SATA.

**85.** The method of claim **82**, wherein the native low level block protocol at the storage device is ATA.

**16**

**86.** The method of claim **82**, wherein the native low level block protocol at the storage device is SAS.

**87.** The method of claim **86**, wherein maintaining a map further comprises mapping from the host identification for each host device to a physical address for each at least a portion of each storage device.

**88.** The method of claim **86**, wherein maintaining a map further comprises mapping from the host identification for each host device to a virtual address for each at least a portion of each storage device.

**89.** The method of claim **81**, further comprising:  
 encapsulating the SCSI request for access in a Fibre Channel transport protocol; and  
 transporting the Fibre Channel encapsulated SCSI request from the host device on the first transport medium.

\* \* \* \* \*