



US0D1065339S

(12) **United States Design Patent**  
**Weng**

(10) **Patent No.:** **US D1,065,339 S**

(45) **Date of Patent:** **\*\* Mar. 4, 2025**

(54) **PROTECTIVE CASE FOR ELECTRONIC GAME CONSOLE**

(71) Applicant: **SHENZHEN GUANGYIPENG TECHNOLOGY CO., LTD.**, Guangdong (CN)

(72) Inventor: **Jie Weng**, Guangdong (CN)

(73) Assignee: **Shenzhen Guangyipeng Technology Co., Ltd.**, Shenzhen (CN)

(\*\*) Term: **15 Years**

(21) Appl. No.: **29/901,802**

(22) Filed: **Sep. 6, 2023**

(51) **LOC (15) Cl.** ..... **21-01**

(52) **U.S. Cl.**  
USPC ..... **D21/333**

(58) **Field of Classification Search**

USPC ..... D21/300, 324, 326, 328, 329, 330, 331, D21/332, 333, 335; D14/356, 401, 412, D14/415, 454; D8/323–329  
CPC ..... A63F 13/24; A63F 13/00; A63F 13/20; A63F 2250/485; A63F 13/92; E05D 15/26; E05D 3/02; E05D 1/04; E05D 1/06

See application file for complete search history.

(56) **References Cited**

**U.S. PATENT DOCUMENTS**

D909,484 S *	2/2021	Whitaker	.....	D14/401
D928,113 S *	8/2021	Guack	.....	D21/333
D959,558 S *	8/2022	Xiao	.....	D14/401
D971,335 S *	11/2022	Zhu	.....	D21/333
D991,262 S *	7/2023	Qi	.....	D21/333
D1,019,797 S *	3/2024	Wang	.....	D21/333
D1,022,046 S *	4/2024	Wang	.....	D21/333

(Continued)

**OTHER PUBLICATIONS**

Protective Case by Gubyxg, posted date Jun. 18, 2024 [online], [retrieved Oct. 15, 2024]. Retrieved from the internet, <https://www.amazon.ca/miyoo-Protective-Shockproof-Handheld-Console/dp/B0D7CBR4ZV?th=1> (Year: 2024).\*

*Primary Examiner* — Marissa J. Cash

*Assistant Examiner* — Elisheva Goldsmith

(57) **CLAIM**

The ornamental design for a protective case for electronic game console, as shown and described.

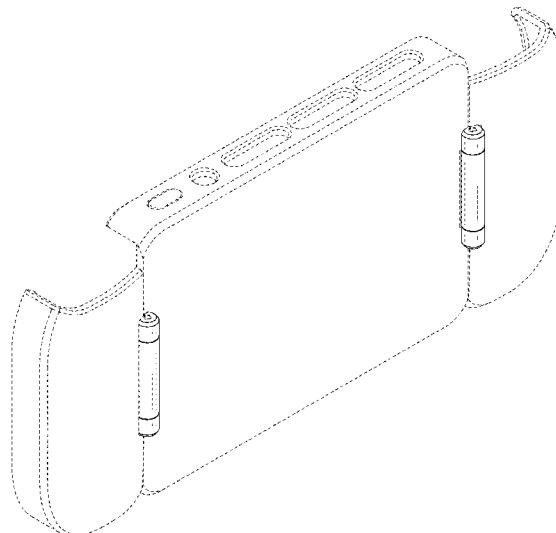
**DESCRIPTION**

FIG. 1 is a front perspective view of a protective case for electronic game console showing my new design; FIG. 2 is a rear perspective view thereof; FIG. 3 is a front elevational view thereof; FIG. 4 is a rear elevational view thereof; FIG. 5 is a left side elevational view thereof; FIG. 6 is a right side elevational view thereof; FIG. 7 is a top plan view thereof; FIG. 8 is a bottom plan view thereof; FIG. 9 is a perspective view of the protective case for electronic game console where the side covers of the protective case for electronic game console are in a folded state; FIG. 10 is a perspective view of the protective case for electronic game console as seen in FIG. 1, in an environment of use, where an electronic game console is in the protective case; and,

FIG. 11 is an exploded perspective view of the protective case for electronic game console as seen in FIG. 9, in an environment of use, where an electronic game console is in the protective case.

The broken lines in the drawings depict portions of the protective case for electronic game console that form no part of the claimed design. The additional broken lines showing an electronic game console, in FIGS. 10-11, illustrate environmental structures that form no part of the claimed design.

**1 Claim, 11 Drawing Sheets**



(56)

**References Cited**

U.S. PATENT DOCUMENTS

D1,023,150	S	*	4/2024	Zhang	.....	D21/333
D1,023,151	S	*	4/2024	Zhang	.....	D21/331
D1,036,548	S	*	7/2024	Collette	.....	D21/331
D1,038,243	S	*	8/2024	Xie	.....	D21/333

\* cited by examiner

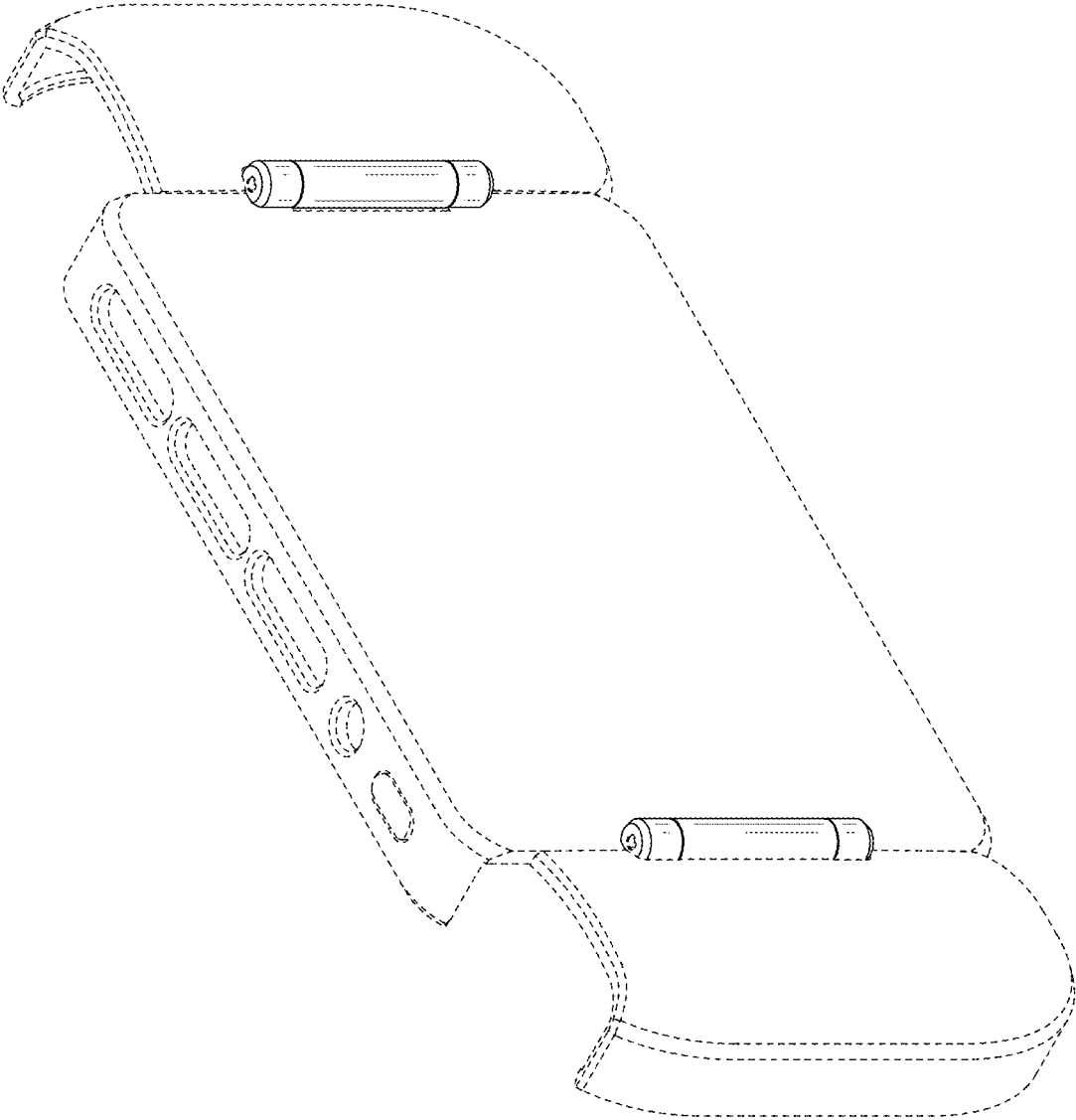


FIG. 1

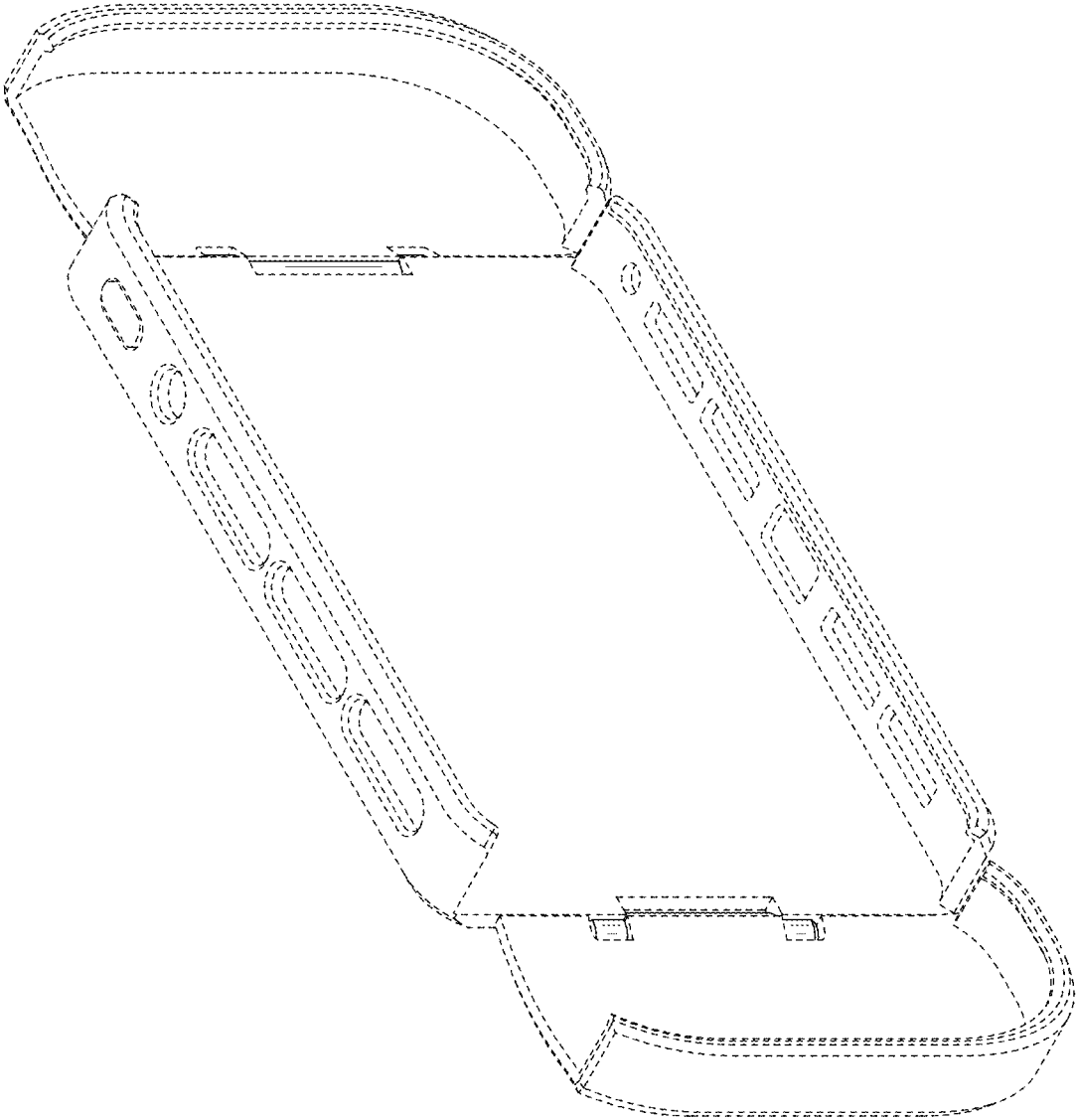


FIG. 2

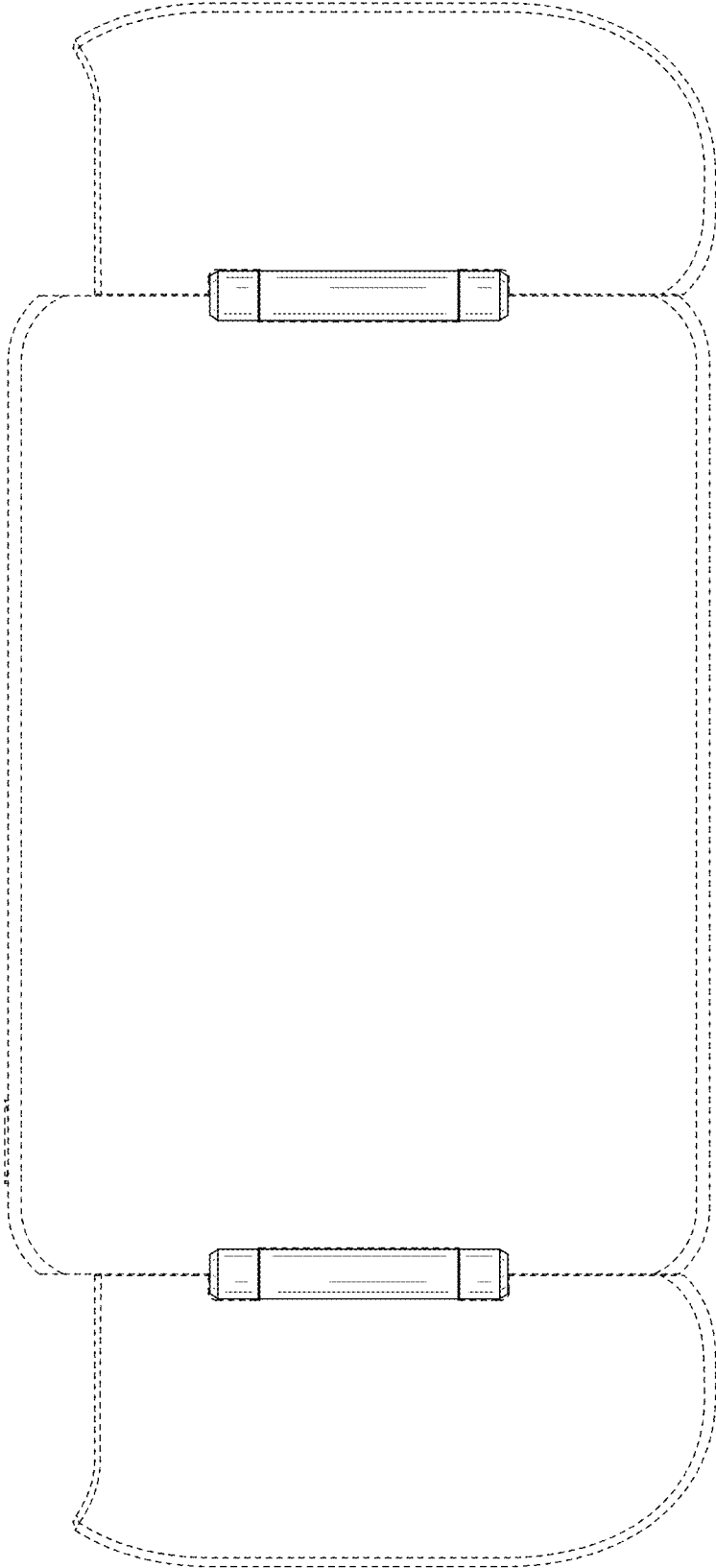


FIG. 3

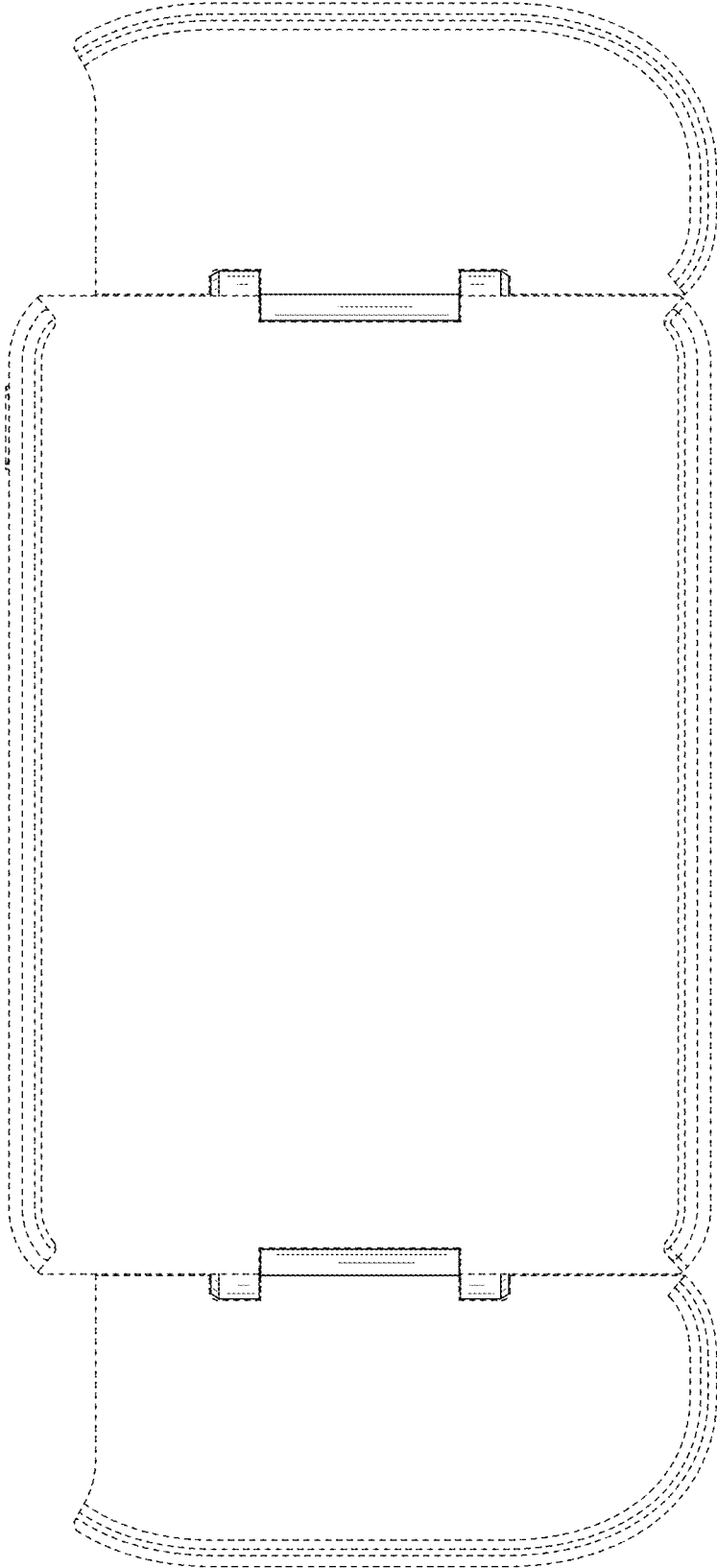


FIG. 4

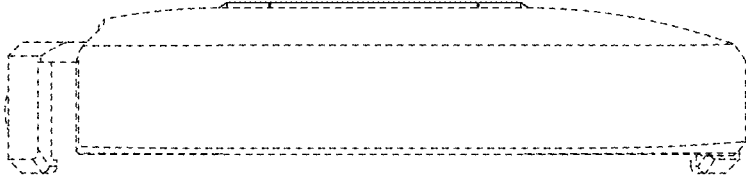


FIG. 5

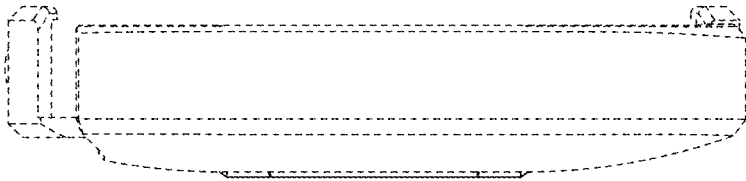


FIG. 6

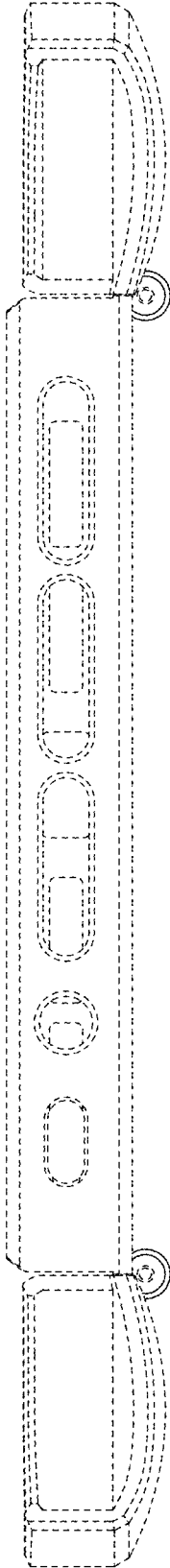


FIG. 7

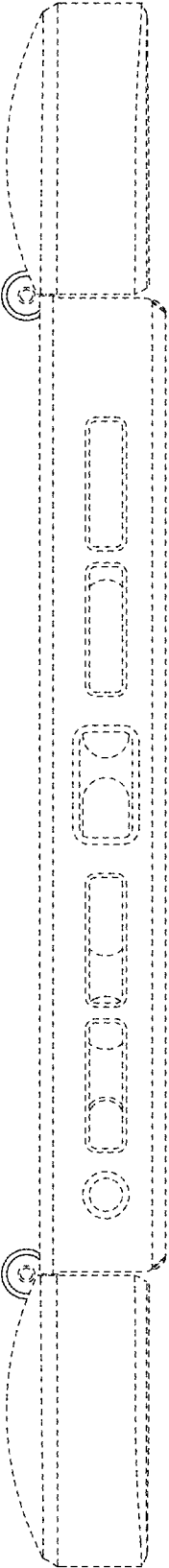


FIG. 8

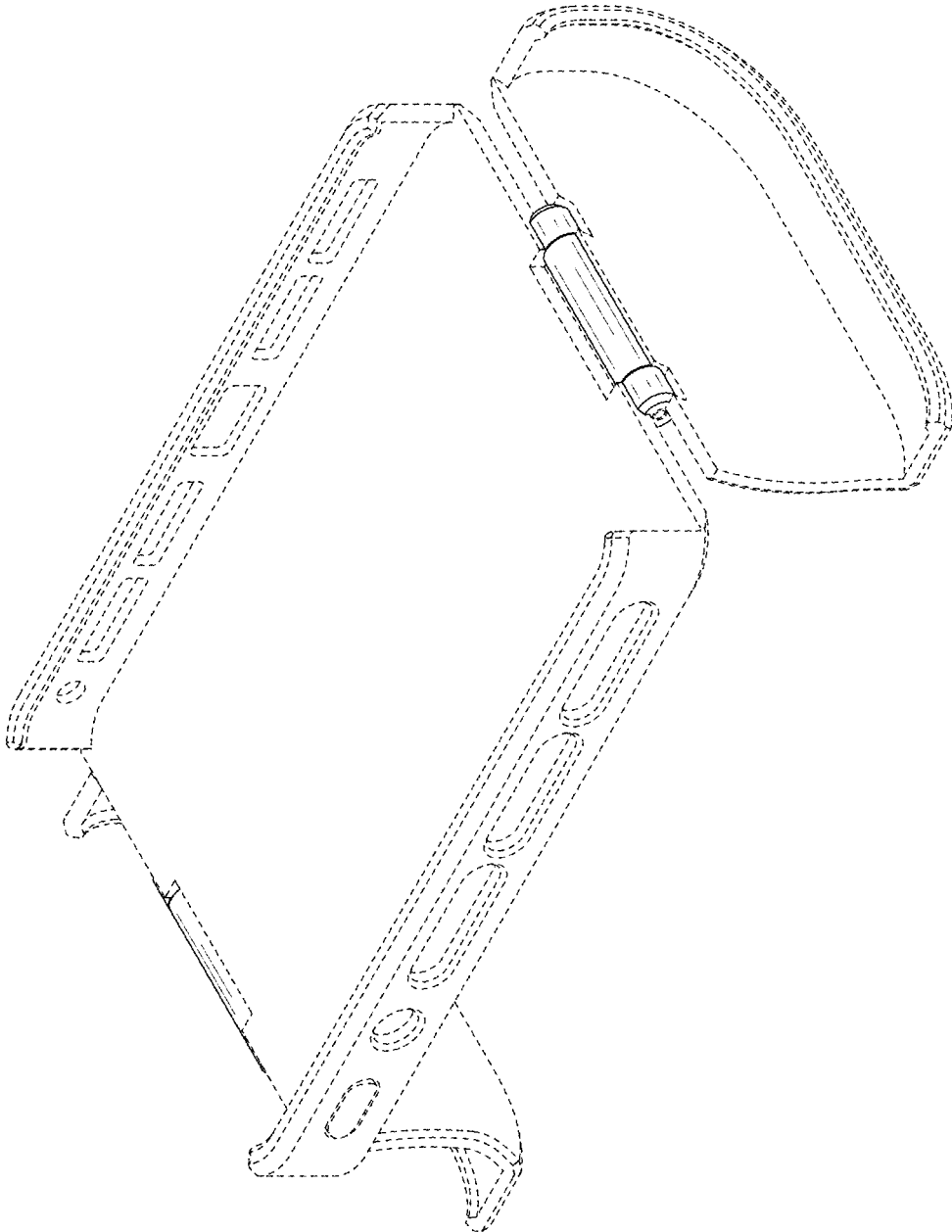


FIG. 9

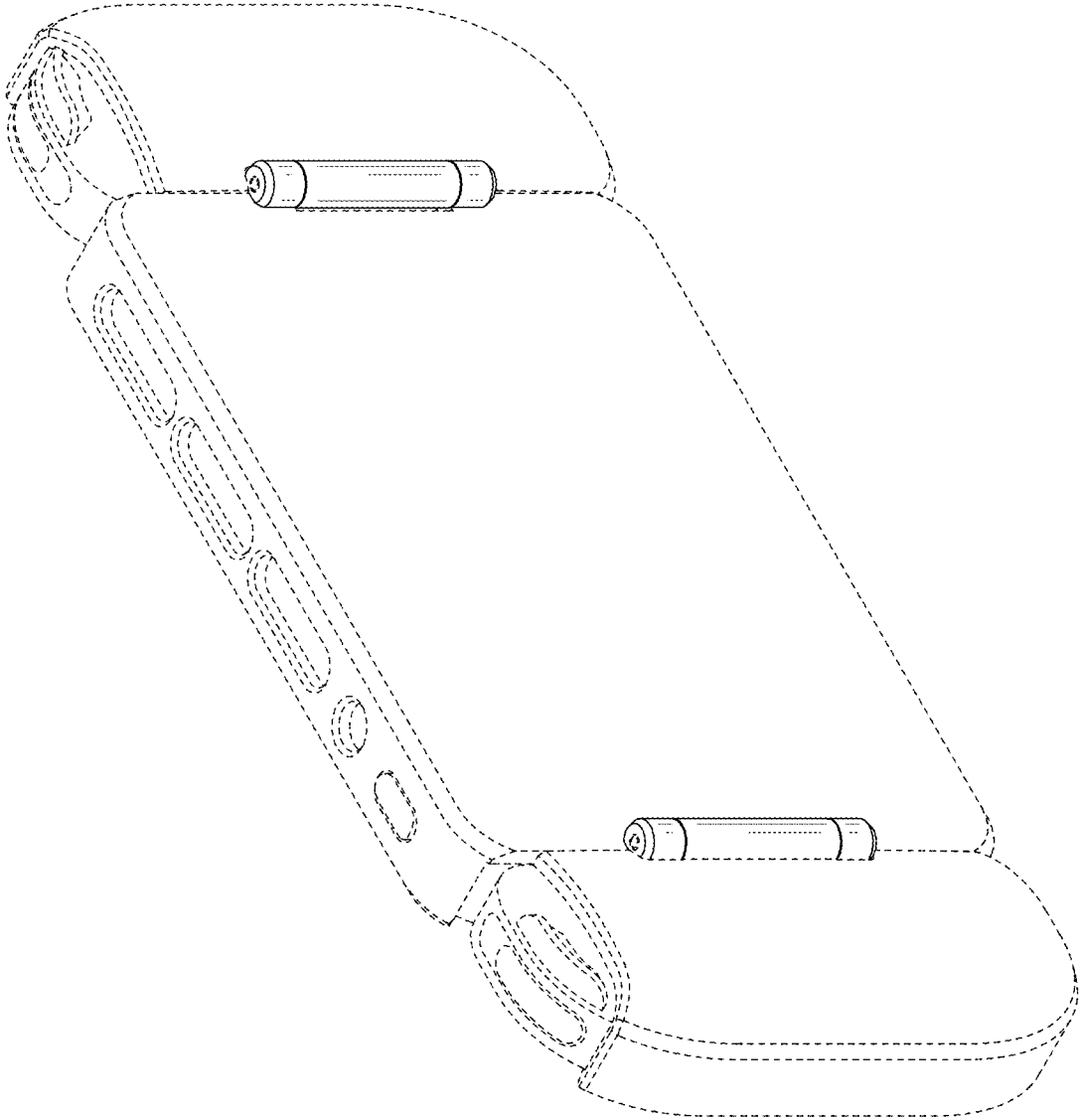


FIG. 10

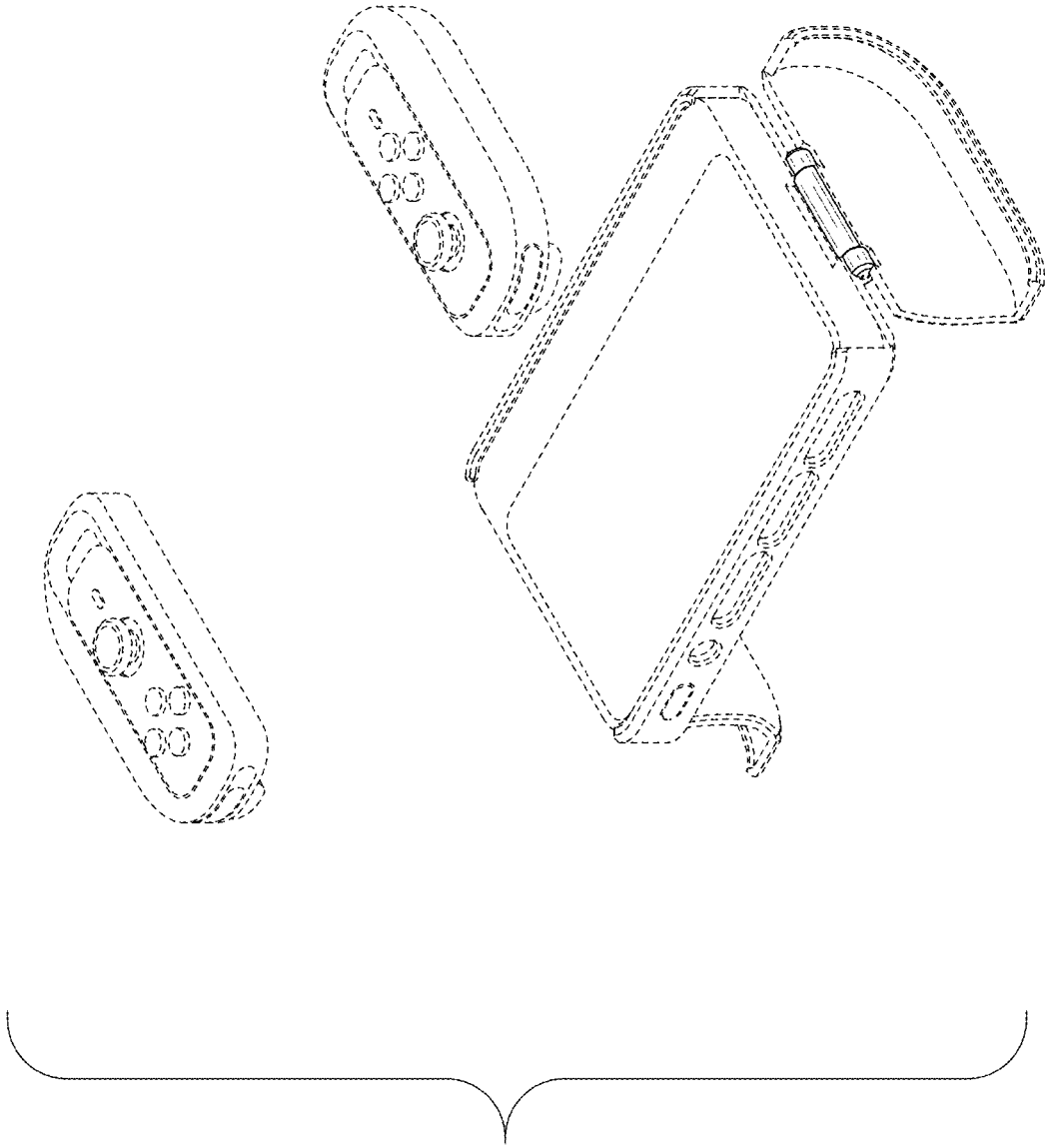


FIG. 11