



US00D342379S

United States Patent [19]

[11] Patent Number: Des. 342,379

Taniyama

[45] Date of Patent: ** Dec. 21, 1993

[54] STORAGE CONTAINER FOR A MINIATURE DISK CARTRIDGE

[76] Inventor: **Yoshihiko Taniyama**, 9380 Old Southwick Pass, Fulton County, Atlanta, Ga. 30202

[**] Term: **14 Years**

[21] Appl. No.: **910,881**

[22] Filed: **Jul. 8, 1992**

[52] U.S. Cl. **D3/35; D3/30.1; D3/74**

[58] Field of Search **D3/30.1, 35, 74; D6/407, 408, 457, 476; D19/26, 27, 76; 206/311, 387, 444, 424; 211/40, 41, 42**

[56] References Cited

U.S. PATENT DOCUMENTS

D. 264,232 5/1982 Lang D3/74
D. 288,982 3/1987 Talopp D3/35

(List continued on next page.)

FOREIGN PATENT DOCUMENTS

0420350 4/1991 European Pat. Off. 206/310

Primary Examiner—A. Hugo Word

Assistant Examiner—Celia A. Murphy

Attorney, Agent, or Firm—Troutman Sanders

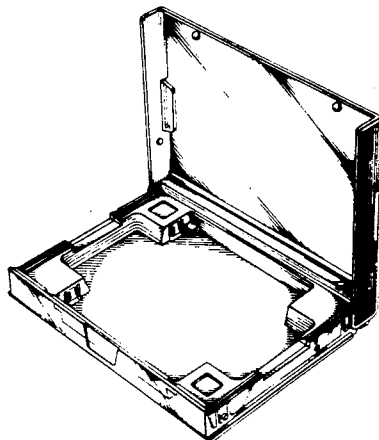
[57] CLAIM

The ornamental design for a storage container for a miniature disk cartridge, as shown and described.

DESCRIPTION

FIG. 1 is a top, front, right side perspective view of a storage container for a miniature disk cartridge storage container of the present invention in the open position; FIG. 2 is a top plan view of the storage container for a miniature disk cartridge of FIG. 1; FIG. 3 is a bottom plan view of the storage container for a miniature disk cartridge of FIG. 1; FIG. 4 is a front view in elevation of the storage container for a miniature disk cartridge of FIG. 1;

FIG. 5 is a rear view in elevation of the storage container for a miniature disk cartridge of FIG. 1; FIG. 6 is a left side view in elevation of the storage container for a miniature disk cartridge of FIG. 1 with the right side view in elevation being a mirror image thereof; FIG. 7 is a cross-section view along line 7—7 of the storage container for a miniature disk cartridge of FIG. 2; FIG. 8 is a top, front, right side perspective view of the storage container for a miniature disk cartridge of the present invention in the open position with promotional material inserted; FIG. 9 is a top plan view of the storage container for a miniature disk cartridge of FIG. 8; FIG. 10 is a bottom plan view of the storage container for a miniature disk cartridge of FIG. 8; FIG. 11 is a front view in elevation of the storage container for a miniature disk cartridge of FIG. 8; FIG. 12 is a rear view in elevation of the storage container for a miniature disk cartridge of FIG. 8; FIG. 13 is a left side view in elevation of the storage container for a miniature disk cartridge of FIG. 8; FIG. 14 is a cross-sectional view along line 14—14 of the storage container for a miniature disk cartridge of FIG. 8; FIG. 15 is a top, front, left side perspective view of the storage container for a miniature disk cartridge of the present invention in the closed position; FIG. 16 is a bottom, front, right side perspective view of the storage container for a miniature disk cartridge of the present invention in the closed position; FIG. 17 is a top plan view of the storage container for a miniature disk cartridge of FIG. 15; FIG. 18 is a bottom plan view of the storage container for a miniature disk cartridge of FIG. 15; FIG. 19 is a front view in elevation of the storage container for a miniature disk cartridge of FIG. 15; FIG. 20 is a rear view in elevation of the storage container for a miniature cartridge of FIG. 15; FIG. 21 is a left side view in elevation of the storage container for a miniature cartridge of FIG. 15; and, FIG. 22 is a cross-sectional view along line 22—22 of the storage container for a miniature disk cartridge of FIG. 17.



U.S. PATENT DOCUMENTS							
3,275,158	9/1966	Glass et al.	211/40	4,817,792	4/1989	Seifert 206/309	
3,954,179	5/1976	Warmath	D3/30.1	4,819,799	4/1989	Nomula et al. 206/310	
4,054,206	10/1977	Kobayashi et al.	206/387	4,850,477	7/1989	Gelardi et al. 206/45.19	
4,132,311	1/1979	Glinert	206/387	4,869,364	9/1989	Bray	206/444
4,432,827	2/1984	Graetz et al.	D3/30.1	4,874,085	10/1989	Grobecker et al. 206/309	
4,535,888	8/1985	Nusselder	206/444	4,875,743	10/1989	Geldardi et al. 312/13	
4,593,814	6/1986	Hagiwara	206/387	4,895,252	1/1990	Nomula et al. 206/310	
4,613,044	9/1986	Saito et al.	206/444	4,899,875	2/1990	Herr et al. 206/313	
4,702,369	10/1987	Philosophe	206/312	4,916,567	4/1990	Grobecker et al. 360/133	
4,750,611	6/1988	Morrone	206/45.13	4,998,618	3/1991	Borgions	206/307
4,793,480	12/1988	Gelardi et al.	206/312	5,050,734	9/1991	Chen	206/444
				5,101,971	4/1992	Grobecker	206/232

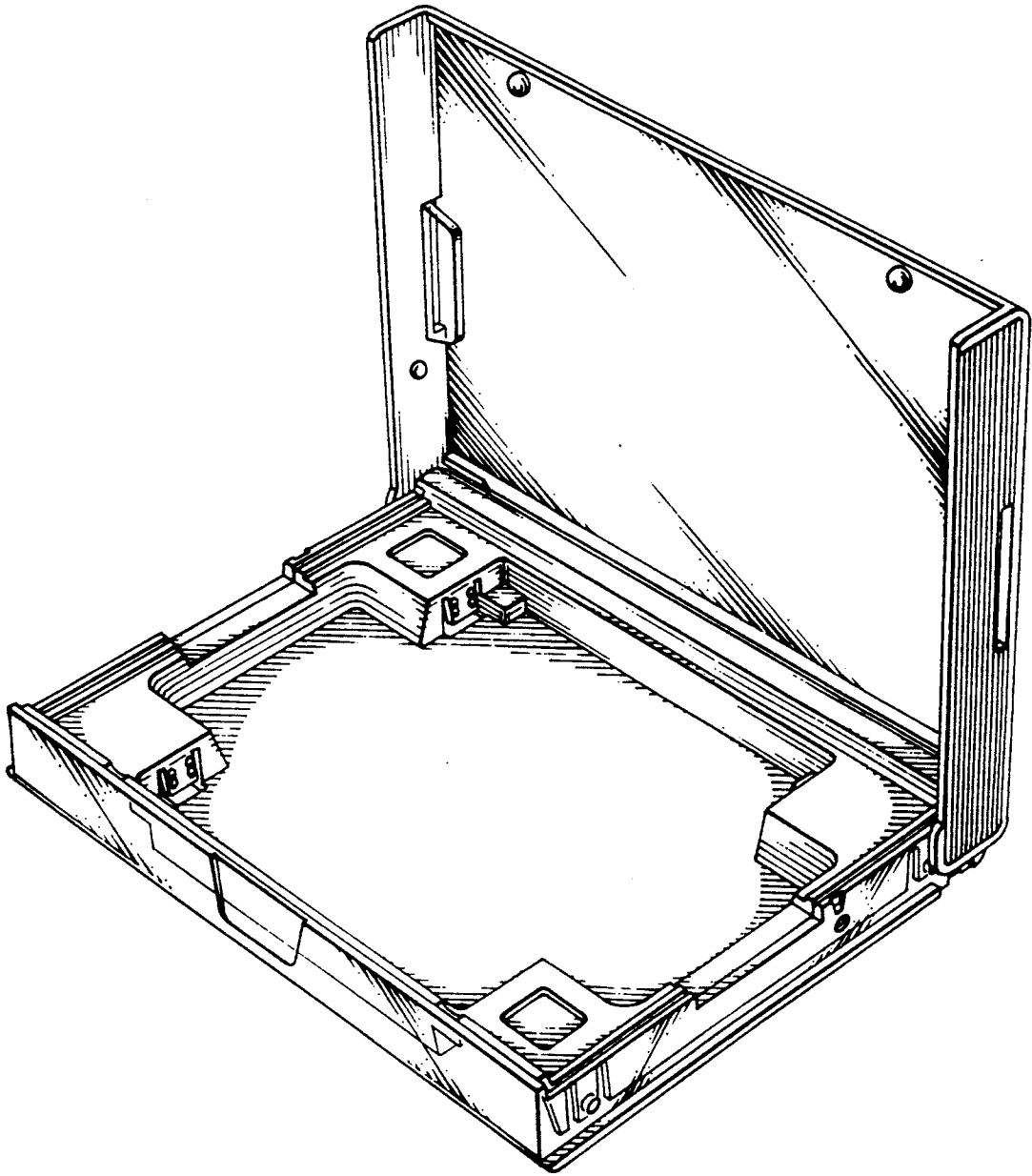


FIG 1

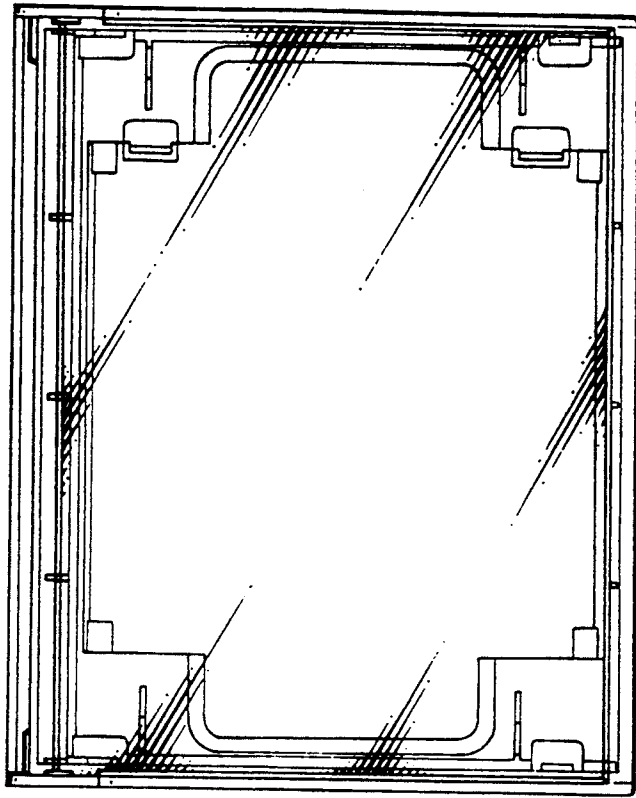


FIG 3

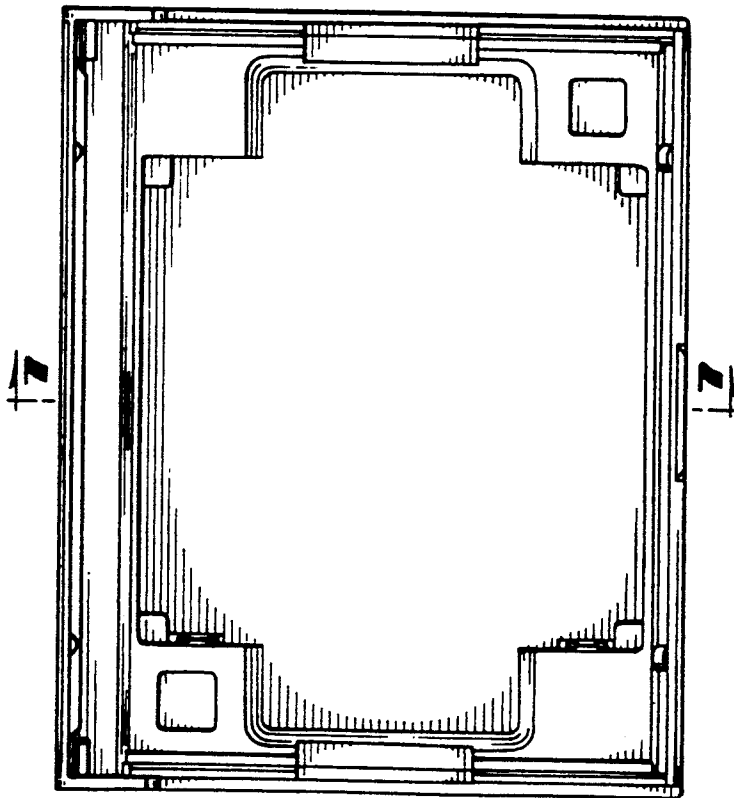


FIG 2

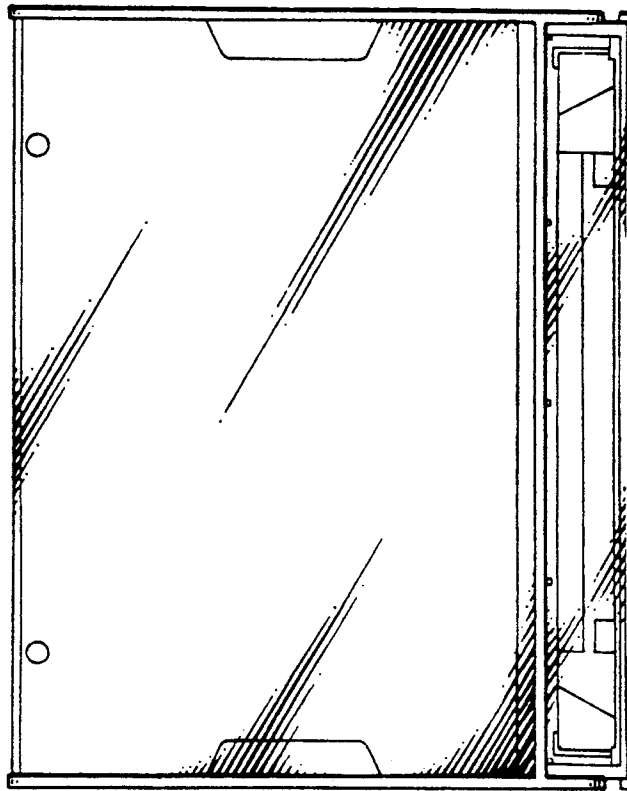


FIG 5

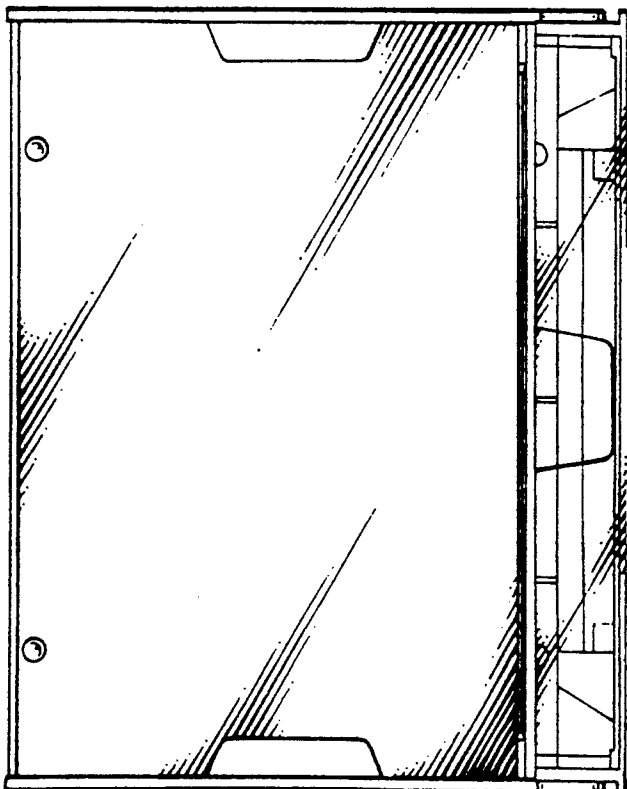


FIG 4

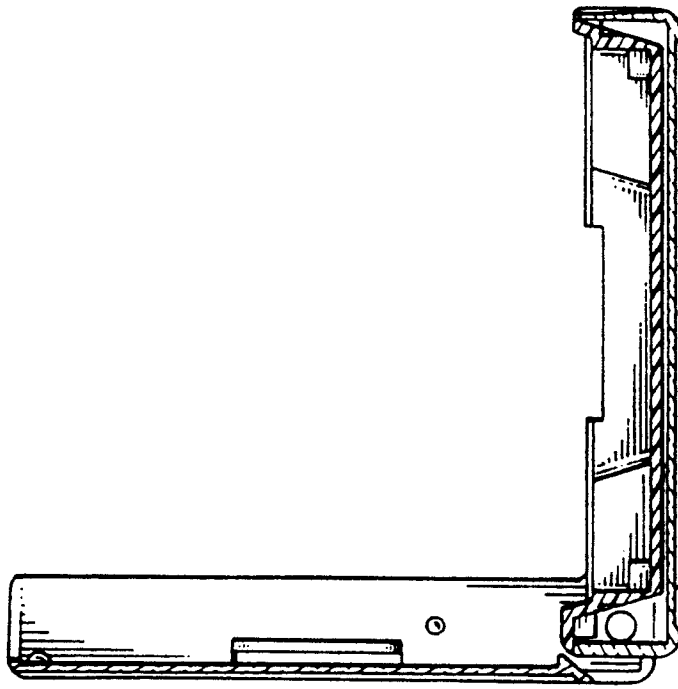


FIG 7

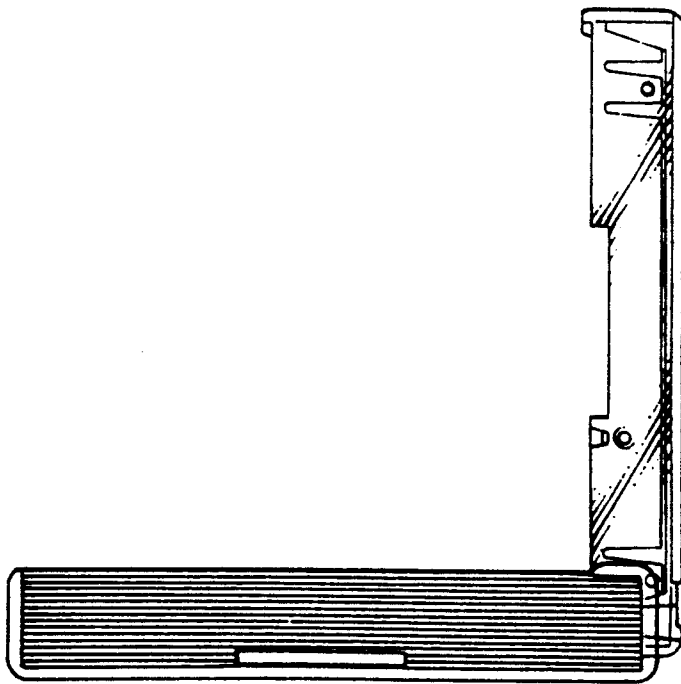


FIG 6

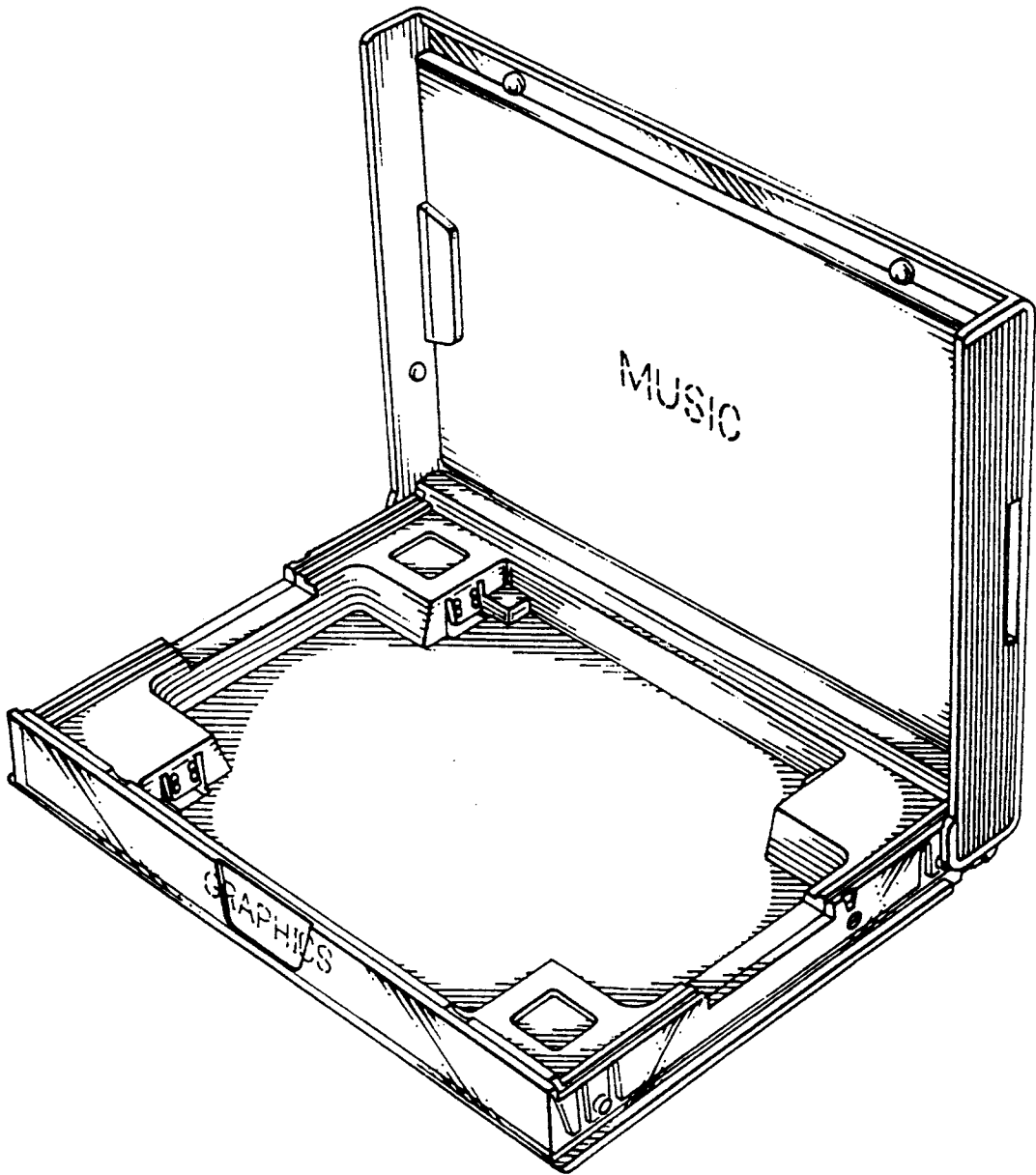


FIG 8

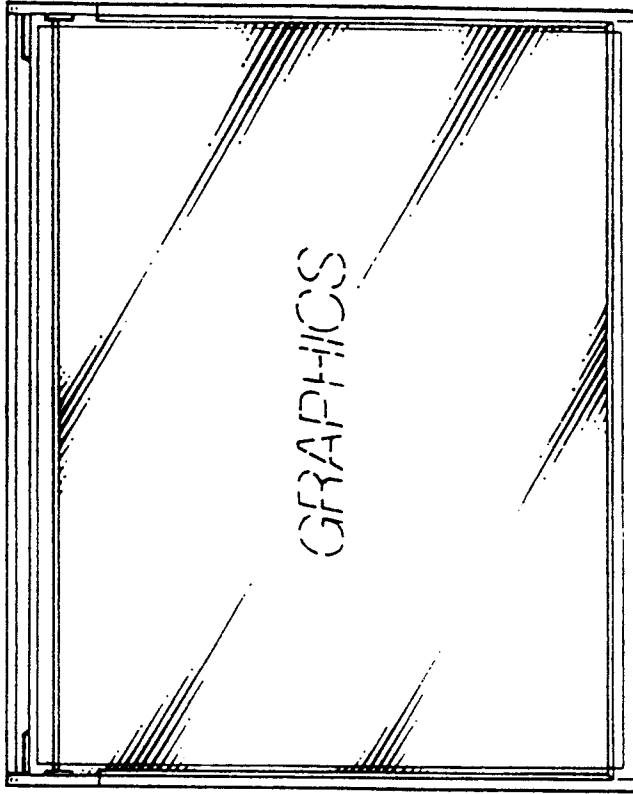


FIG 10

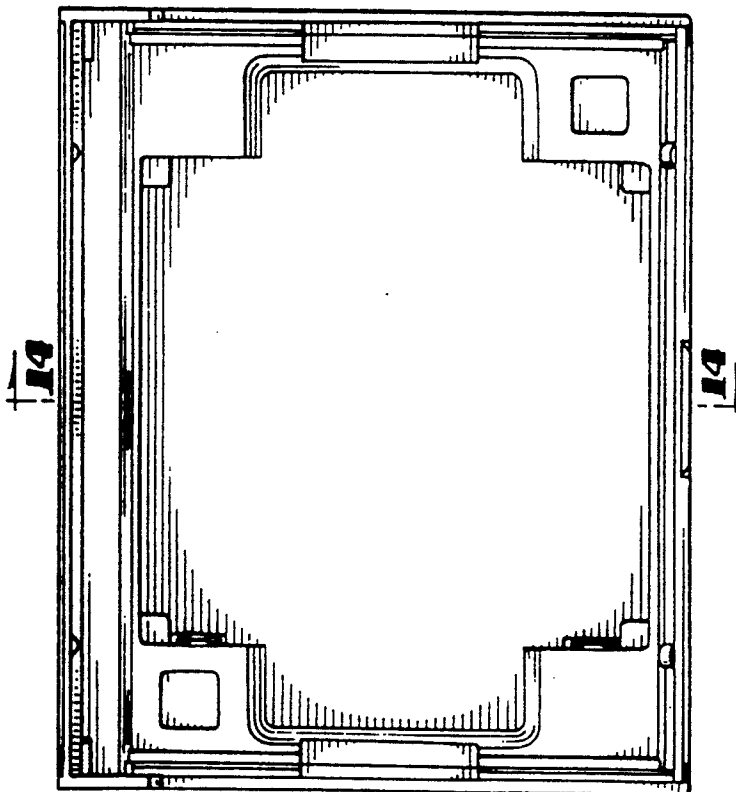


FIG 9

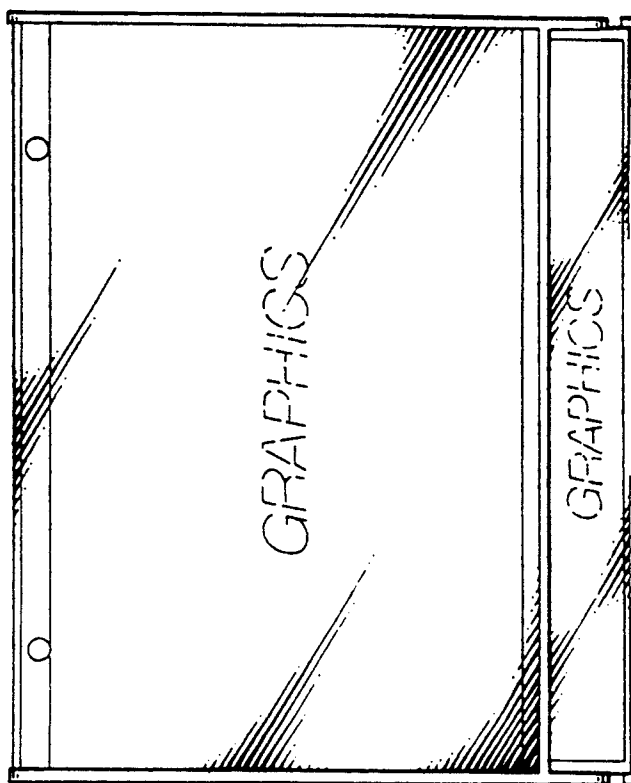


FIG 12

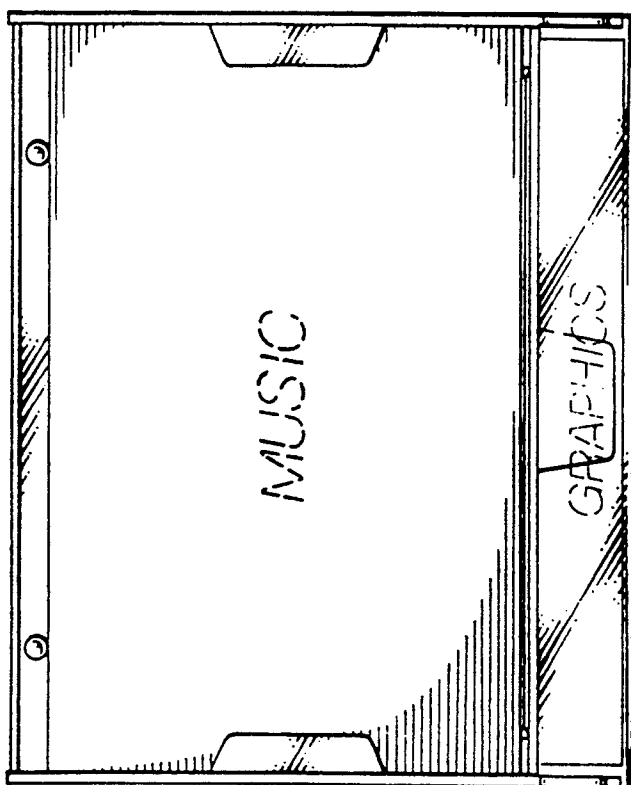


FIG 11

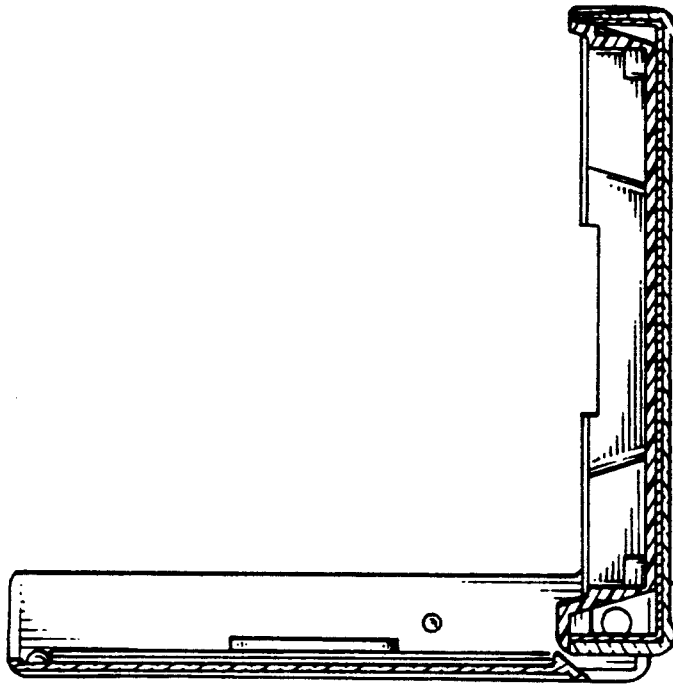


FIG 14

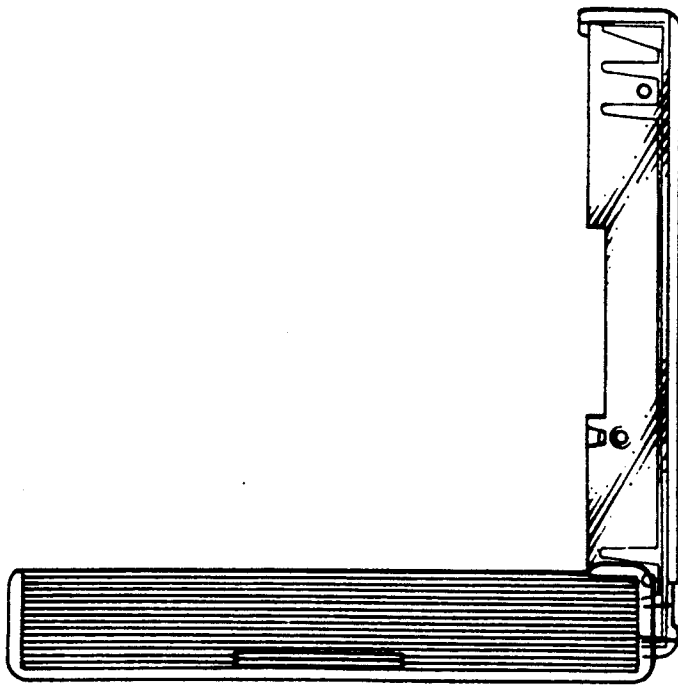


FIG 13

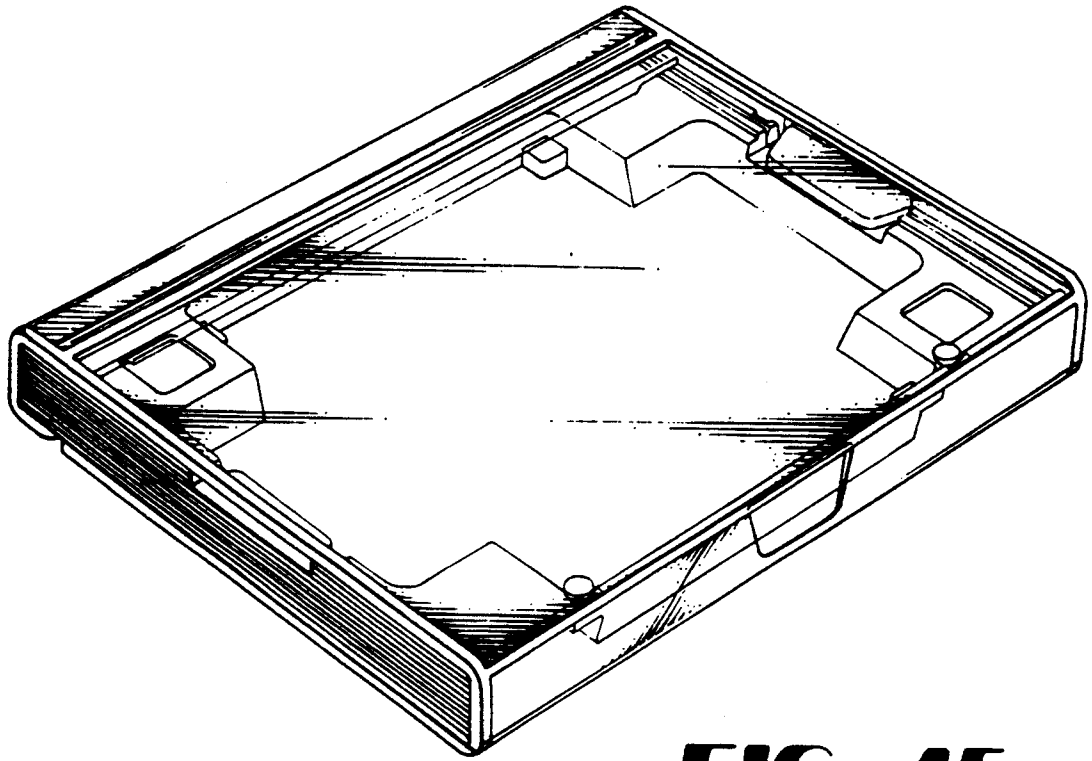


FIG 15

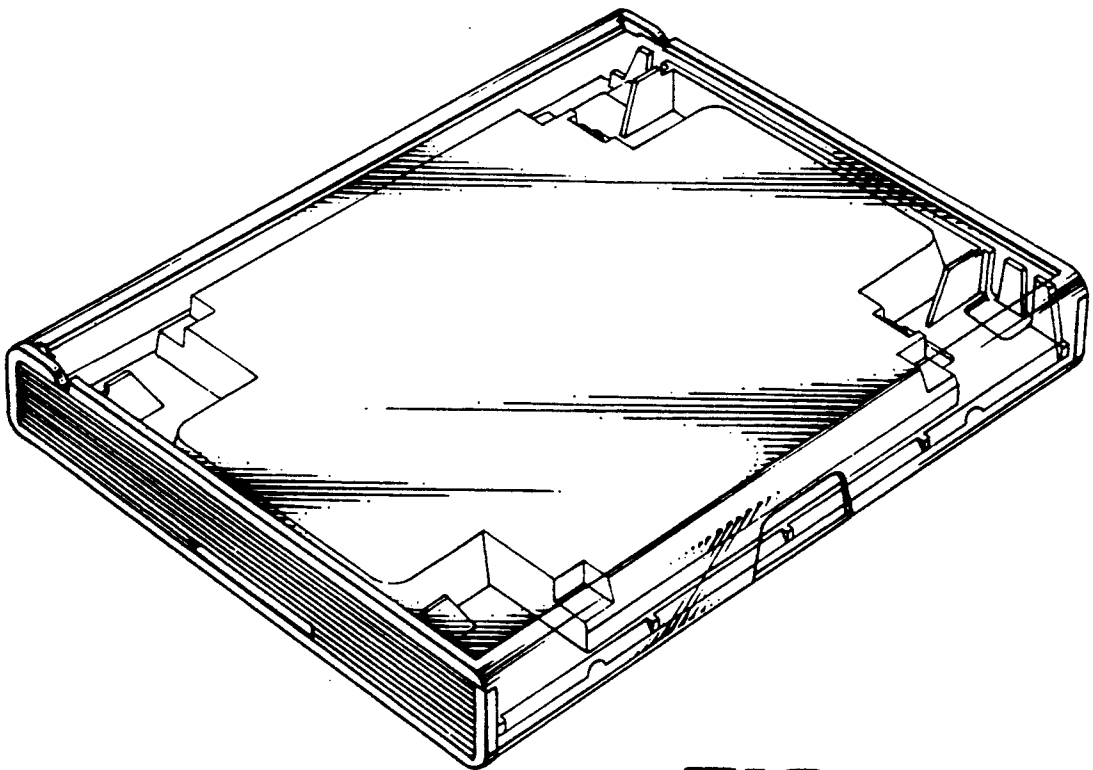


FIG 16

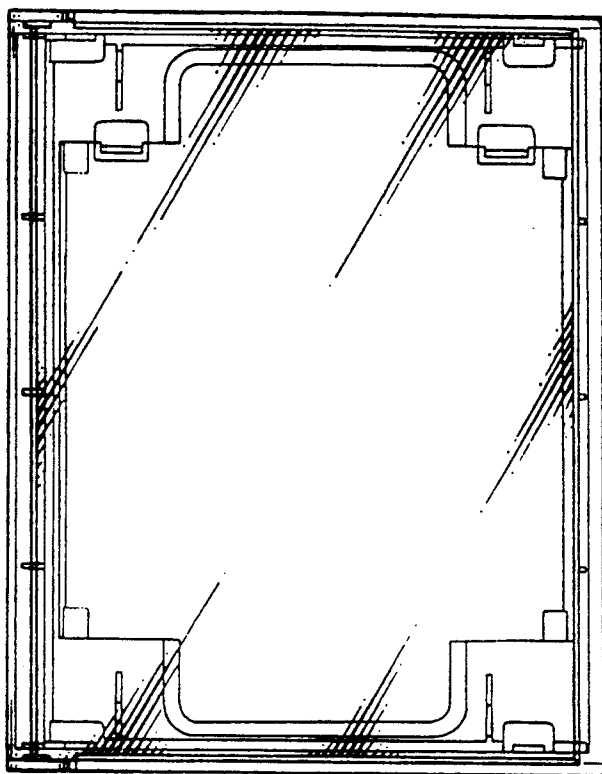


FIG 18

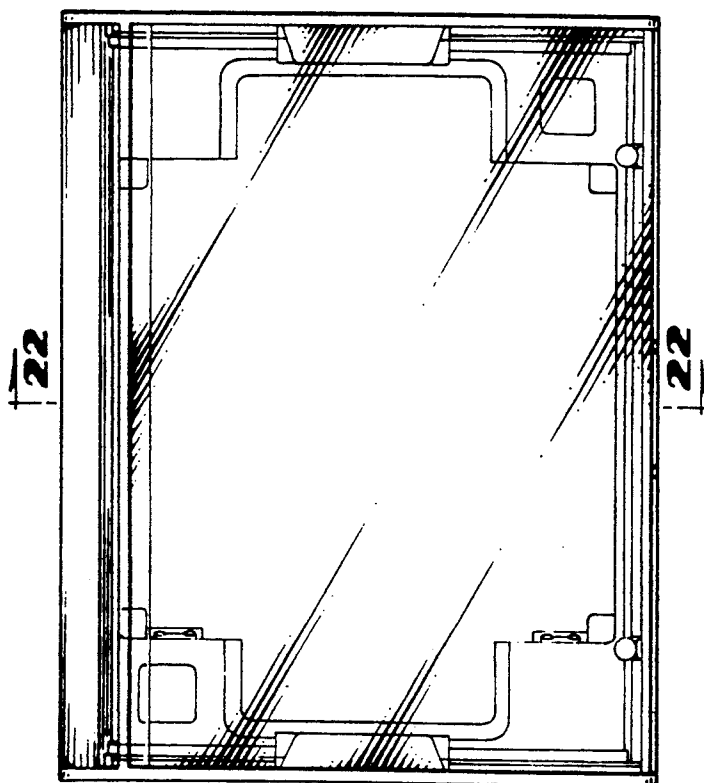


FIG 17

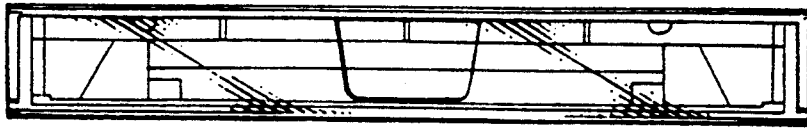


FIG 19

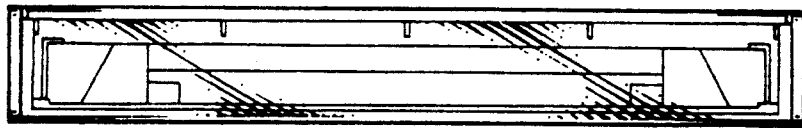


FIG 20



FIG 2A



FIG 22