



(43) International Publication Date
23 October 2014 (23.10.2014)

- (51) International Patent Classification:
A01K 5/01 (2006.01)
- (21) International Application Number:
PCT/SE2014/050392
- (22) International Filing Date:
2 April 2014 (02.04.2014)
- (25) Filing Language: English
- (26) Publication Language: English
- (30) Priority Data:
1350483-2 17 April 2013 (17.04.2013) SE
- (71) Applicant: RUDMA AB [SE/SE]; Tunavägen 276, S-781
73 Borlänge (SE).
- (72) Inventor: RUDIN, Mats; Bruksvägen 7 C, S-737 45
Fagersta (SE).
- (74) Agent: L-O LUNDQUIST PATENTBYRÅ AB; Box 80,
S-651 03 Karlstad (SE).
- (81) Designated States (unless otherwise indicated, for every
kind of national protection available): AE, AG, AL, AM,

AO, AT, AU, AZ, BA, BB, BG, BH, BN, BR, BW, BY,
BZ, CA, CH, CL, CN, CO, CR, CU, CZ, DE, DK, DM,
DO, DZ, EC, EE, EG, ES, FI, GB, GD, GE, GH, GM, GT,
HN, HR, HU, ID, IL, IN, IR, IS, JP, KE, KG, KN, KP, KR,
KZ, LA, LC, LK, LR, LS, LT, LU, LY, MA, MD, ME,
MG, MK, MN, MW, MX, MY, MZ, NA, NG, NI, NO, NZ,
OM, PA, PE, PG, PH, PL, PT, QA, RO, RS, RU, RW, SA,
SC, SD, SE, SG, SK, SL, SM, ST, SV, SY, TH, TJ, TM,
TN, TR, TT, TZ, UA, UG, US, UZ, VC, VN, ZA, ZM,
ZW.

- (84) Designated States (unless otherwise indicated, for every
kind of regional protection available): ARIPO (BW, GH,
GM, KE, LR, LS, MW, MZ, NA, RW, SD, SL, SZ, TZ,
UG, ZM, ZW), Eurasian (AM, AZ, BY, KG, KZ, RU, TJ,
TM), European (AL, AT, BE, BG, CH, CY, CZ, DE, DK,
EE, ES, FI, FR, GB, GR, HR, HU, IE, IS, IT, LT, LU, LV,
MC, MK, MT, NL, NO, PL, PT, RO, RS, SE, SI, SK, SM,
TR), OAPI (BF, BJ, CF, CG, CL, CM, GA, GN, GQ, GW,
KM, ML, MR, NE, SN, TD, TG).

Published:

— with international search report (Art. 21(3))

(54) Title: DEVICE FOR PETS

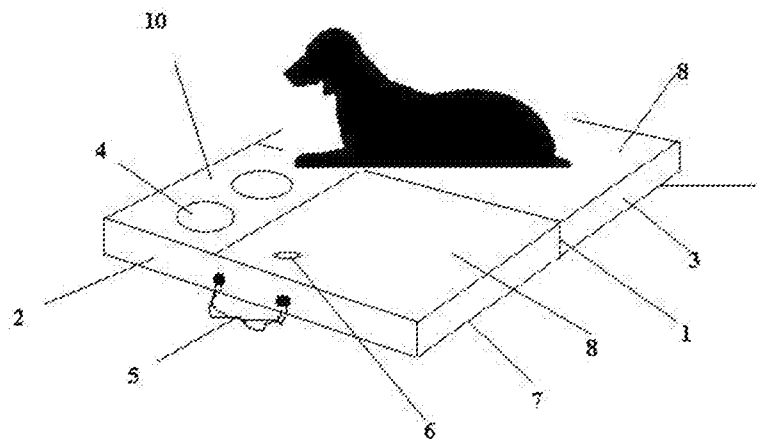


Fig. 2

(57) Abstract: A device for pets comprising a shell (1) having two halves hinged to each other and folding together, wherein one (2) of the halves comprises an area (10) for receiving a container (4), and at least the other half (3) is designed as a sleeping area (8) for the pet. The container is recessed into said one of the halves and has an upper edge substantially flush with a top surface of said one of the halves when the device is in an unfolded position. The device comprises a sleeping pad and at least one food/water bowl which cannot be accidentally emptied by the pet.



DEVICE FOR PETS

DESCRIPTION

5 TECHNICAL FIELD

The present invention pertains to a device for pets comprising a shell having two halves hinged to each other and folding together, wherein one of the halves comprises an area for receiving a container, and the other half is designed as a sleeping area for the pet.

10

In the present context, 'pets' refers to mammals such as dogs, cats, rodents and rabbits, but also pet pigs and African pygmy hedgehogs.

15

Furthermore, in the present context, 'container' refers to bowls and other similar open containers, but the term also includes bowls provided with covers or other closure means.

STATE OF THE ART

20

When a person owning a pet is away from home with the pet, e.g. for exhibiting it, or just to pay a visit, it may be difficult to give the pet the same sense of well-being as at home. It may be missing its comfortable rug to lie on, and it may tip over food and/or water bowls, so that the food/water spills out onto someone's floor or onto the ground.

25

As can be seen from WO 97/48272, one way of preventing a food/water bowl from tipping over is to place it in a support, which in one embodiment may consist of a circular plate with a slightly larger diameter than the largest diameter of the bowl.

30

Pet mats of different shapes have been available for a long time. A combination device of a mat and container is disclosed in US 4 907 539 A1, wherein the pet mat consists of a divided food and water bowl, which is centered and anchored on a rubber mat by means of rubber protrusions.

35

Another known pet mat is disclosed in EP 0 578 133 A2. The pet mat disclosed therein is a combination mat, wherein the bottom edge of the container is located below the mat, which on at least one side of the bowl has a sufficient length to allow an animal to rest its front paws on the mat while eating or drinking, wherein

the weight of the animal secures the mat to the ground. The bowl and the mat are further provided with reciprocal hooking means to prevent the bowl from moving relative to the mat.

5 US 2005/0211175 A1 discloses a bag-shaped, portable sleeping pad for pets with generally laminated walls, which at least on one side are partially covered with material adapted to be comfortable to a pet lying on the walls after unfolding them. In the shown embodiment, the two long sides of the bag are connected to the top side thereof via hinge joints and form the sleeping pad after unfolding. The use of a
10 container is not discussed.

US 2006/0288953 A1 discloses a bag of suitcase-type, constructed with a nylon-type fabric, which has been treated with a heavy urethane coating on the back side and a wear-resistant, water repellent topical surface. Internally, the bag is divided into
15 two halves; one half containing an easily removable, contoured, washable pet sleeping mat, and a second half containing on the one side durable, washable, spill-proof, unfixed food/water bowls, and on the other side a pouch, provided with a rust-resistant zipper, for pet items.

20 US 6 516 745 B1 discloses a pet travelling bag, which integrates a sleeping pad for the pet with a food and water storage system for use when travelling with pets. The bag comprises a folding shell, which carries a cushion for use by the pet to sleep or rest and a mesh pocket for use in transporting items the pet may need, such as e.g. medicine and toys. At the fold line connecting the two sides of the shell to each
25 other, sealable containers, adapted to hold food and water, are releasably affixed to a material extending along the fold line, which also provides rigidity and support to the fabric shell. Accordingly, the containers are attached to the fold line of the shell.

The devices mentioned above have to be considered as less suitable for pets, since
30 their paws or muzzles may cause the container to come loose and possibly tip over. Furthermore, it will be difficult to clean the device from unwanted food residues in the container attachment. There is a need for a portable device for pets which is better suited for travel, and which includes all necessities for a pet in an organized fashion, and for reducing a traveller's packing problems.

35

BRIEF DISCLOSURE OF THE INVENTION

The purpose of the invention is to produce a device for pets which comprises a sleeping pad and at least one food/water bowl, which cannot be accidentally emptied by the pet.

5

In the device mentioned in the first paragraph above, this purpose is achieved in that, according to the present invention, said one 2 of the halves has a recess for fitting therein the container 4, and that said one 2 of the halves has a thickness corresponding at least to the height of the container, so that the container 4 is recessed into said one 2 of the halves and has a top edge substantially flush with a top surface of said one 2 of the halves when the device is in an unfolded position.

10

In one embodiment, it is suitable that said area 10 in said one 2 of the halves has a core of such rigidity that the weight of the pet is unable to deform the core to such an extent that the container 4 is pulled loose from its fitting in said one 2 of the halves. In this way, the risk that the pet, because of its weight, could compress said one 2 of the halves in the thickness direction so much that the container 4 comes loose from its fitting is reduced.

15

In order to eliminate the risk entirely, the core in said one 2 of the halves preferably consists of hard cellular plastic, e.g. expanded polystyrene. Hard cellular plastic also has the advantage that its density is low, so that the device will be easier to carry along, especially when intended for a large pet.

20

In order to contribute to a comfortable sleeping area for the pet, said other half 3, and a possible sleeping area 8 in said one 2 of the halves, suitably has/have a core of soft cellular plastic, usually called foamed plastic, or foam rubber.

25

When in a folded position, the device is suitable for transport and can be subjected to heavy loads such as, for example, other suitcases or the like, which objects could deform the soft cellular plastic. For this reason, laminated walls 7, which protect the cellular plastic and retain the shape of the device, can be placed on the outside of the device.

30

To allow the device to be resistant to wear and other harsh conditions, said two halves 2, 3 preferably have a surface of a water-impermeable and anti-slipping material 9, wherein it is convenient that, when the device is the unfolded position,

35

said other half 3 has an top surface of a material comfortable to lie on attached to the water-impermeable and anti-slipping material 9. Thereby, there is no risk that the cellular plastic absorbs water, nor that the pet slips on the device.

5 The container 4 suitably consists of a material chosen from metal, plastic or paper. Metal and plastic are durable, but need washing now and then, whereas disposable packages of paper material may be preferable on some occasions.

10 To retain food or liquid in the container 4 during transport, it is suitable that the container 4 comprises a cover or a tearable foil, or similar closure means.

15 Preferably, the two halves 2, 3 have a rectangular shape, and the container 4 is placed along a short side or in a corner of said one 2 of the halves. The rectangular shape makes it easy to dimension the device, without making it unwieldy, so that a large pet has enough sleeping space 8, and due to the fact that the container 4 is placed along a short side or in a corner, it can be ensured by appropriately positioning the device relative to the surrounding area that the pet stands on the device and puts weight on it when it is eating or drinking.

20 To enable the two halves 2, 3 of the device to be maintained in a closed position against each other, it is suitable that the device is provided with closing means 6 securing the two halves 2, 3 against each other during transport, such as Velcro tapes, at least one zipper or cooperating magnets.

25 To make it easier for the owner of the pet to bring the device along, it is preferably provided with carrying means 5, such as a handle and/or a shoulder strap.

BRIEF DESCRIPTION OF THE ACCOMPANYING DRAWINGS

30 In the following, the invention will be described more closely with reference to preferred embodiments and the accompanying drawings.

Figure 1 is an end view of the device in a folded position.

35 Figure 2 is a plan view of a preferred embodiment of the device according to the invention in an unfolded position.

Figure 3 is a cross-sectional view in the unfolded position.

DETAILED DESCRIPTION OF EMBODIMENTS

With reference primarily to Figs. 1-3, the basic principles of the invention will be described with the aid of a first embodiment shown in these figures, wherein the differences relative to previously known devices will be clarified at the same time.

As is evident from Figs. 1-3, the device according to the invention is constituted by a device for pets comprising a shell 1 having two halves hinged to each other and folding together, wherein one 2 of the halves comprises an area 10 for receiving a container 4, and wherein at least the other half 3 is designed as a sleeping area 8 for the pet, characterized in that said one 2 of the halves has a recess for fitting therein the container 4, and that said one 2 of the halves has a thickness corresponding at least to the height of the container, so that the container 4 is recessed into said one 2 of the halves and has a top edge substantially flush with a top surface of said one 2 of the halves when the device is in an unfolded position.

In this context, it should be emphasized that the schematic embodiments shown in Figs. 1-3 primarily illustrate the functional and fundamental structure of the device. Accordingly, the device has a sleeping area face 8 and laminated walls 7 on the opposite face.

In another embodiment, the sleeping area 8 of the device can have a cushion or a toy attached thereto (not shown/illustrated). Alternatively, the sleeping area can be covered with a warm blanket to enhance the pet's sense of well-being.

Fig. 1 shows the device in a folded position ready for transport. In this position, the container 4 is filled with food or liquid according to owner's liking. Due to the fact that the container 4 is provided with a cover or a tearable foil, spilling or leakage of food/liquid onto the carpets of the vehicle is avoided.

The preferable rectangular shape of device is best suited for transport. The skilled person will appreciate that various modifications and changes can be made in the shape of the present device, such as e.g. a circular or square shape.

In the same way, the position of the container shown in Fig. 2 may include other positions. The position can be determined according to the size of the pet, and these embodiments are included in the invention.

Fig. 3 also shows a closing means 6, located at the outer edges of the halves 2, 3, for convenient securing in the closed position. The device is provided with closing means 6 such as Velcro tapes, at least one zipper, a cord, cooperating magnets, or equivalent means. During transport the device is preferably also provided with carrying means 5, such as a handle and/or a shoulder strap, or the like.

Although the invention has been described hereinabove with particular reference to a number of exemplifying embodiments of the invention, it should be emphasized that it is not limited in its scope by these examples. Accordingly, it should be made clear that the invention by no means is limited to the device shown in Fig. 2 having two containers and an area with hard cellular plastic, but that the device also includes other variants.

The skilled person will appreciate the fact that different modifications and changes can be made to the present invention without departing from the scope of the invention, as it is defined by the accompanying claims.

20

CLAIMS

1. A device for pets, comprising a shell (1) having two halves hinged to each other and folding together, wherein one (2) of the halves comprises an area (10) for receiving a container (4), and wherein at least the other half (3) is designed as a sleeping area (8) for the pet, **characterized in** that said one (2) of the halves has a recess for fitting therein the container (4), and that said one (2) of the halves has a thickness corresponding at least to the height of the container, so that the container (4) is recessed into said one (2) of the halves and has a top edge substantially flush with a top surface of said one (2) of the halves when the device is in an unfolded position.
2. The device according to claim 1, **characterized in** that said area (10) in said one (2) of the halves has a core of such rigidity that the weight of the pet is unable to deform the frame to such an extent that the container (4) is pulled loose from its fitting in said one (2) of the halves.
3. The device according to claim 1 or 2, **characterized in** that the core in said one (2) of the halves consists of hard cellular plastic.
4. The device according to any one of the claims 1–3, **characterized in** that said other half (3), and a possible sleeping area (8) in said one (2) of the halves, has/have a core of soft cellular plastic.
5. The device according to any one of the claims 1–4, **characterized in** that laminated walls (7) are placed on the outside of the device when in a folded position.
6. The device according to any one of the claims 1–5, **characterized in** that said two halves (2, 3) have a surface of a water-impermeable and anti-slipping material (9), and that, when the device is the unfolded position, said other half (3) has a top surface of a material comfortable to lie on attached to the water-impermeable and anti-slipping material (9).
7. The device according to any one of the claims 1–6, **characterized in** that the container (4) consists of a material chosen from metal, plastic or paper.

8. The device according to claim 7, **characterized in** that the container (4) comprises means, such as a cover or a tearable foil, for retaining food or liquid in the container (4) during transport.

5 9. The device according to any one of the claims 1–8, **characterized in** that the two halves (2, 3) have a rectangular shape, and that the container (4) is placed along a short side or in a corner of said one (2) of the halves.

10 10. The device according to any one of the claims 1–9, **characterized in** that the device is completely covered on the inside and outside with water-impermeable and anti-slipping material (9).

15 11. The device according to any one of the claims 1–10, **characterized in** that it is provided with closing means (6) securing said two halves (2, 3) against each other during transport, such as Velcro tapes, at least one zipper, a cord, or cooperating magnets.

20 12. The device according to any one of the claims 1–11, **characterized in** that it is provided with carrying means (5), such as a handle and/or a shoulder strap.

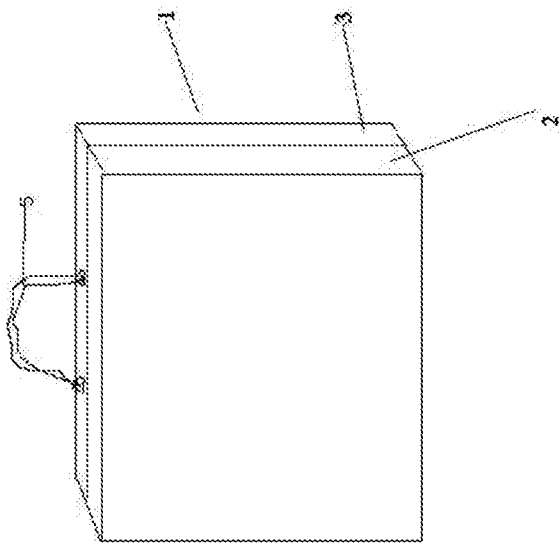


Fig. 1

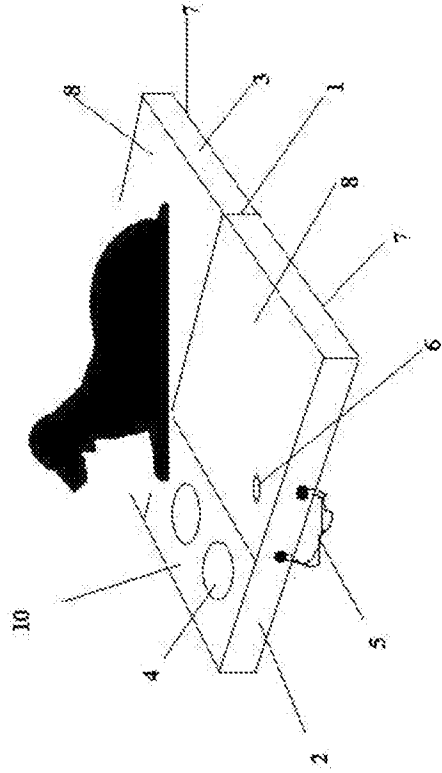


Fig. 2

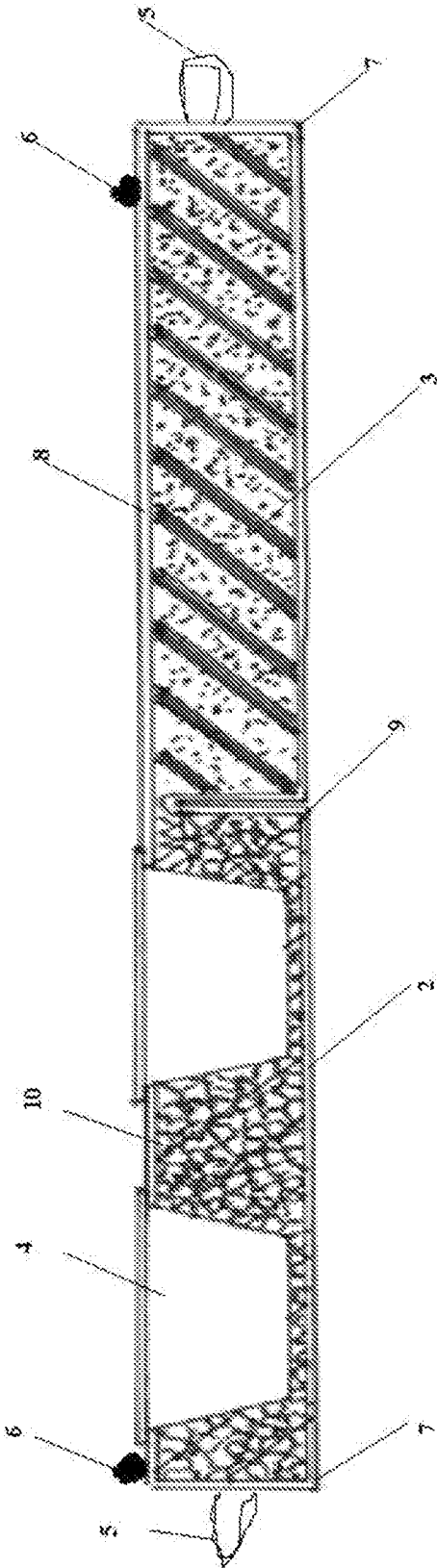


Fig. 3

Fig.3

INTERNATIONAL SEARCH REPORT

International application No.
PCT/SE2014/050392

A. CLASSIFICATION OF SUBJECT MATTER

IPC: see extra sheet

According to International Patent Classification (IPC) or to both national classification and IPC

B. FIELDS SEARCHED

Minimum documentation searched (classification system followed by classification symbols)

IPC: A01K

Documentation searched other than minimum documentation to the extent that such documents are included in the fields searched

SE, DK, FI, NO classes as above

Electronic data base consulted during the international search (name of data base and, where practicable, search terms used)

EPO-Internal, PAJ, WPI data

C. DOCUMENTS CONSIDERED TO BE RELEVANT

Category*	Citation of document, with indication, where appropriate, of the relevant passages	Relevant to claim No.
A	DE 8707452 U1 (SCHULZE, HANS-JOACHIM), 27 August 1987 (1987-08-27); pages 5-6; figures --	1-12
A	GB 2441855 A (HAWKINS RUSSELL JOHN ET AL), 19 March 2008 (2008-03-19); abstract; pages 1, 4; figures 1,2 --	1-12
A	US 20030026875 A1 (AGUILAR CARLOS A ET AL), 6 February 2003 (2003-02-06); abstract; paragraph [0049]; figures 1,2 --	1-12
A	US 7124709 B1 (GREER ROBERT W), 24 October 2006 (2006-10-24); abstract; column 1, line 54 - line 60; figure 1 --	1-12

 Further documents are listed in the continuation of Box C. See patent family annex.

* Special categories of cited documents:

"A" document defining the general state of the art which is not considered to be of particular relevance

"E" earlier application or patent but published on or after the international filing date

"L" document which may throw doubts on priority claim(s) or which is cited to establish the publication date of another citation or other special reason (as specified)

"O" document referring to an oral disclosure, use, exhibition or other means

"P" document published prior to the international filing date but later than the priority date claimed

"T" later document published after the international filing date or priority date and not in conflict with the application but cited to understand the principle or theory underlying the invention

"X" document of particular relevance; the claimed invention cannot be considered novel or cannot be considered to involve an inventive step when the document is taken alone

"Y" document of particular relevance; the claimed invention cannot be considered to involve an inventive step when the document is combined with one or more other such documents, such combination being obvious to a person skilled in the art

"&" document member of the same patent family

Date of the actual completion of the international search

10-07-2014

Date of mailing of the international search report

11-07-2014

Name and mailing address of the ISA/SE

Patent- och registreringsverket
Box 5055
S-102 42 STOCKHOLM
Facsimile No. + 46 8 666 02 86

Authorized officer

Erik Dahlblom

Telephone No. + 46 8 782 25 00

INTERNATIONAL SEARCH REPORT

International application No.
PCT/SE2014/050392

C (Continuation). DOCUMENTS CONSIDERED TO BE RELEVANT

Category*	Citation of document, with indication, where appropriate, of the relevant passages	Relevant to claim No.
A	US 4699089 A (TESCHKE GLORIA M), 13 October 1987 (1987-10-13); abstract; column 2, line 56 - line 62; figures --	1-12
A	US 20060288953 A1 (BOTTORFF CHERYL L), 28 December 2006 (2006-12-28); abstract; paragraph [0021]; figures 1,3 --	1-12
A	US 20050211175 A1 (JOHNSON TRACY), 29 September 2005 (2005-09-29); abstract; paragraphs [0018]-[0022]; figures 1,3,4 --	1-12
A	US 20030019434 A1 (SPIRES DONNA K ET AL), 30 January 2003 (2003-01-30); abstract; paragraphs [0028]-[0031]; figures 1,2 -- -----	1-12

Continuation of: second sheet
International Patent Classification (IPC)
A01K 5/01 (2006.01)

INTERNATIONAL SEARCH REPORT

Information on patent family members

International application No.

PCT/SE2014/050392

DE	8707452	U1	27/08/1987	NONE		
GB	2441855	A	19/03/2008	NONE		
US	20030026875	A1	06/02/2003	AR	034941	A1 24/03/2004
				US	20030026876	A1 06/02/2003
				ZA	200401597	A 10/03/2005
US	7124709	B1	24/10/2006	NONE		
US	4699089	A	13/10/1987	NONE		
US	20060288953	A1	28/12/2006	NONE		
US	20050211175	A1	29/09/2005	NONE		
US	20030019434	A1	30/01/2003	US	6516745	B1 11/02/2003