

1/10

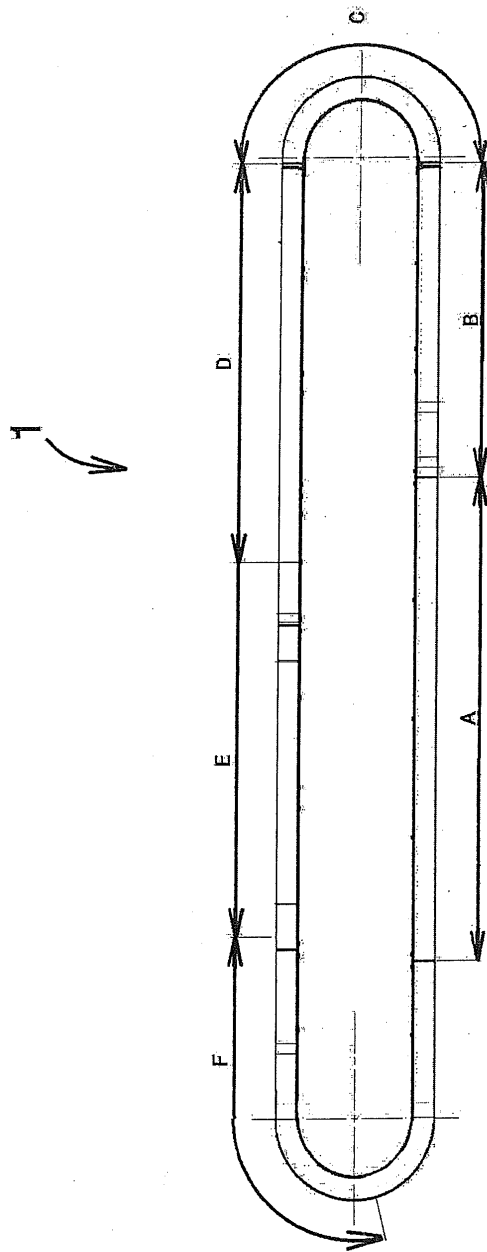


Fig. 1

*Chadha*

(Chetan Chadha)

Patent Agent for the Applicant

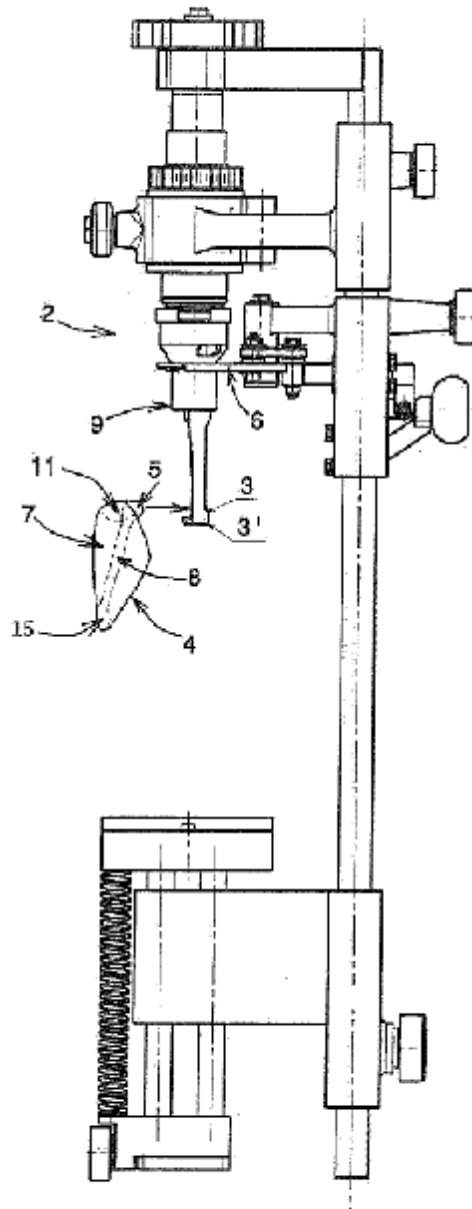


Fig. 2

*Chadha*

(Chetan Chadha)

Patent Agent for the Applicant

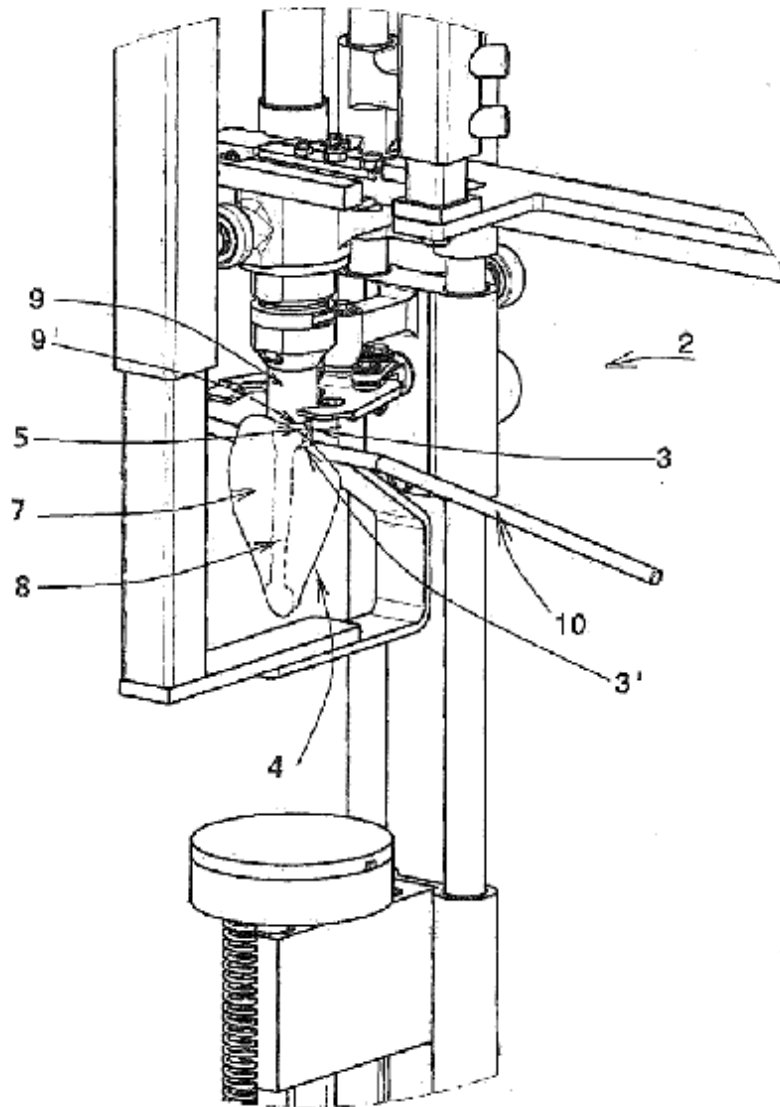


Fig. 3

*Chadha*

(Chetan Chadha)

Patent Agent for the Applicant

4/10

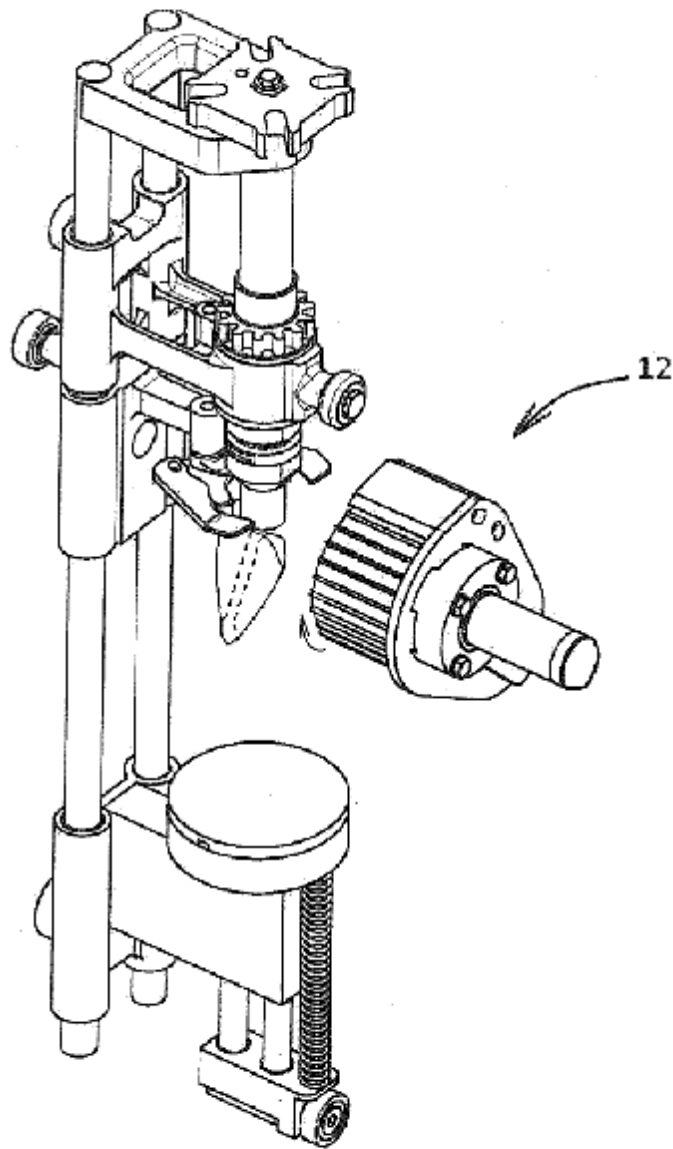


Fig. 4

*Chadha*

(Chetan Chadha)

Patent Agent for the Applicant

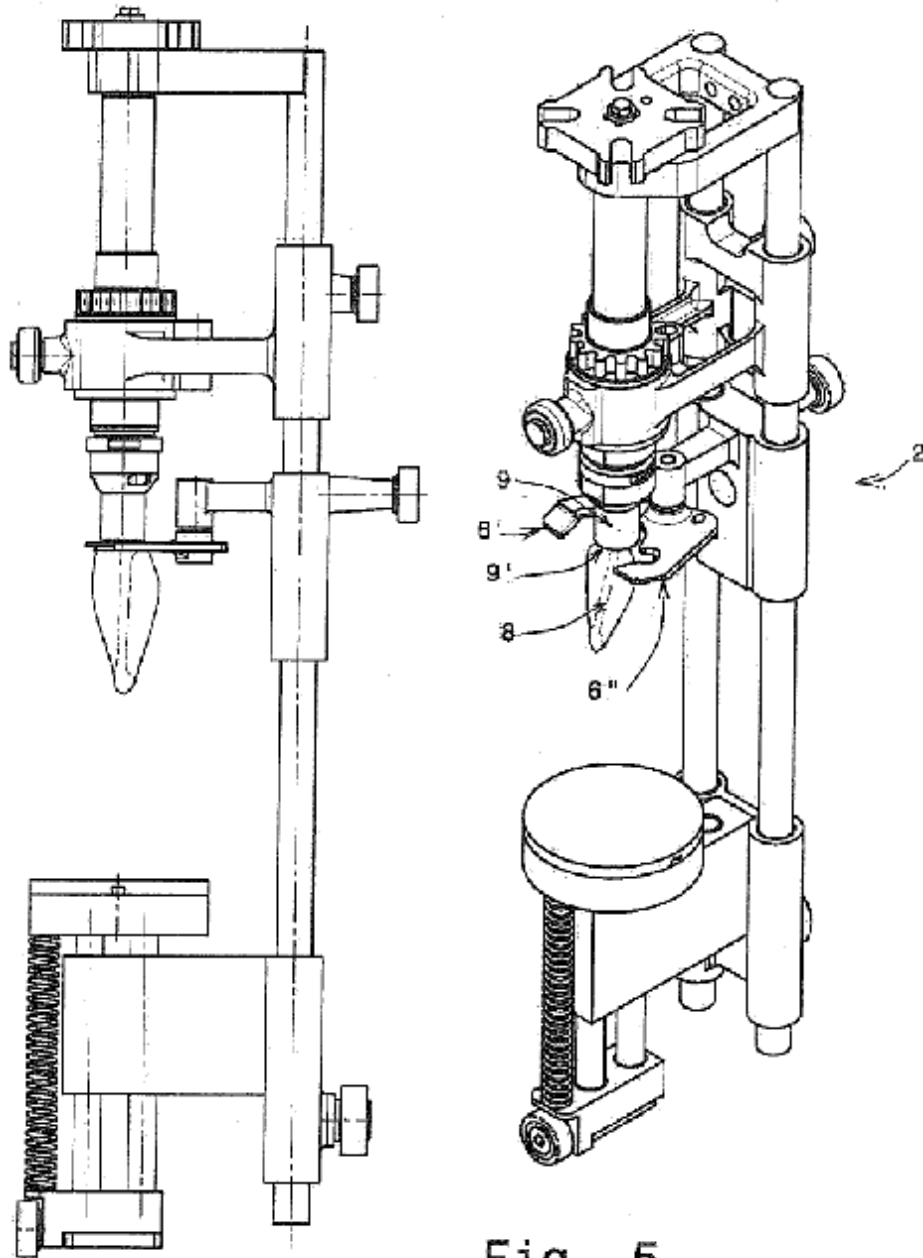


Fig. 5

*Chadha*

(Chetan Chadha)

Patent Agent for the Applicant

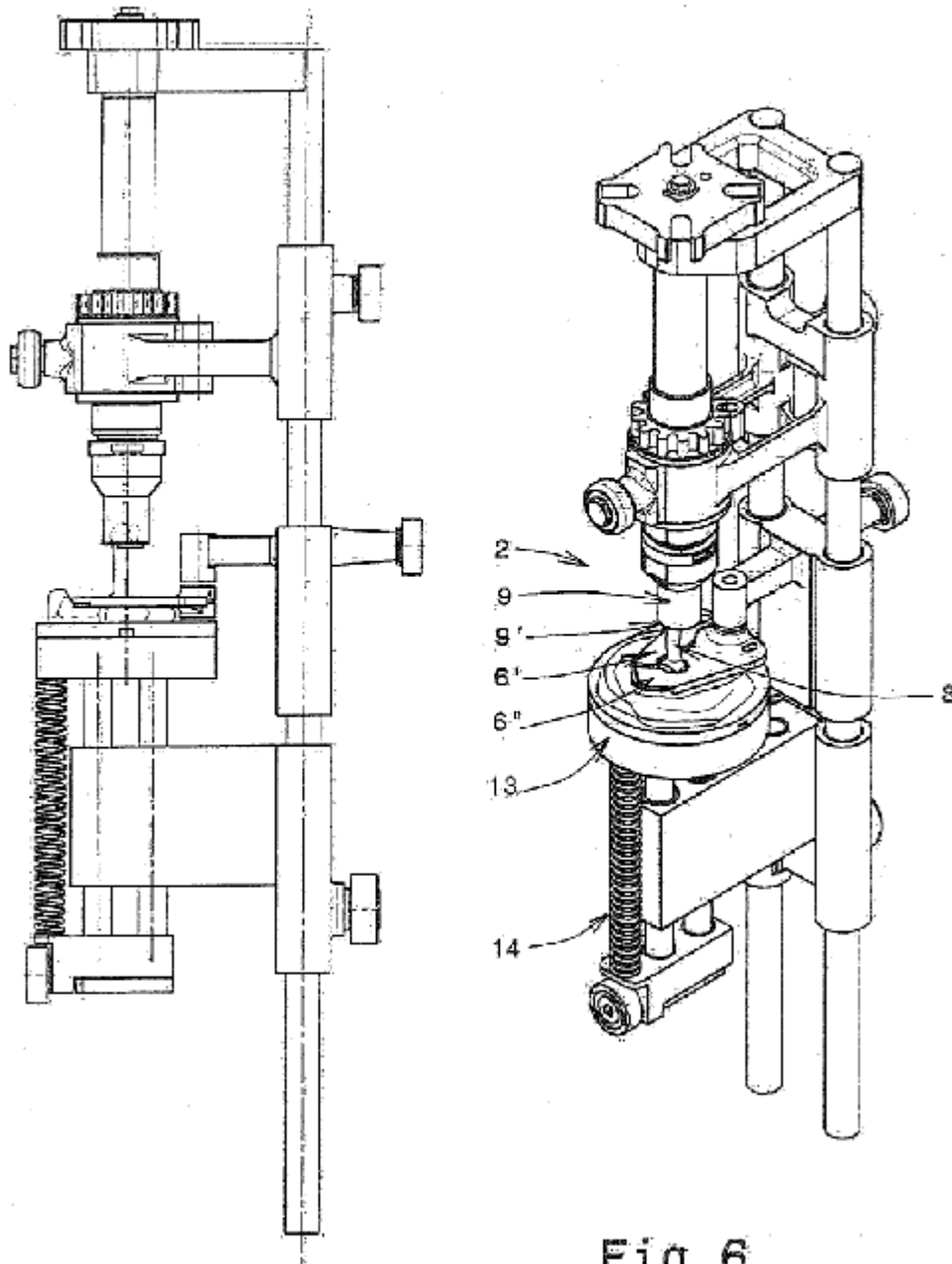


Fig.6

*Chadha*

(Chetan Chadha)

Patent Agent for the Applicant

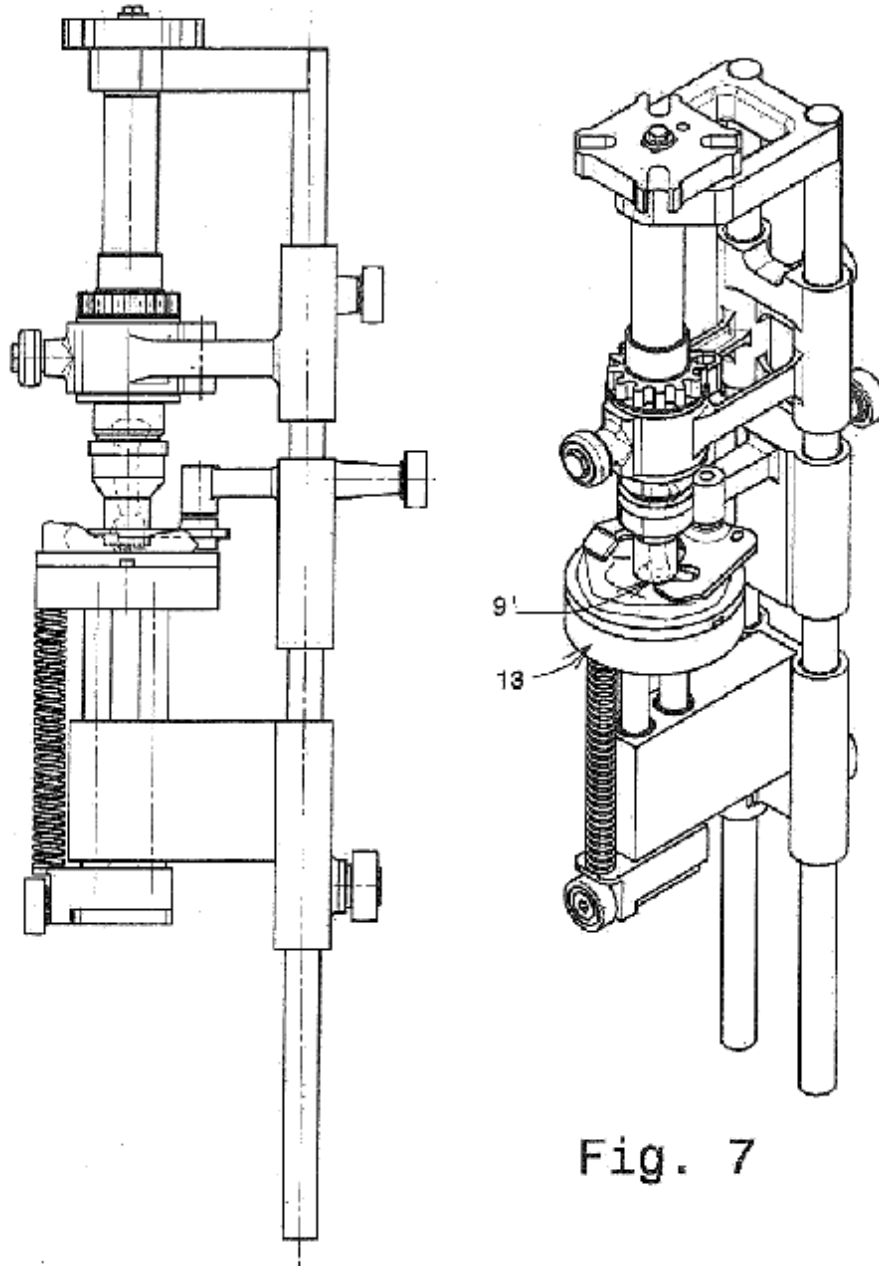


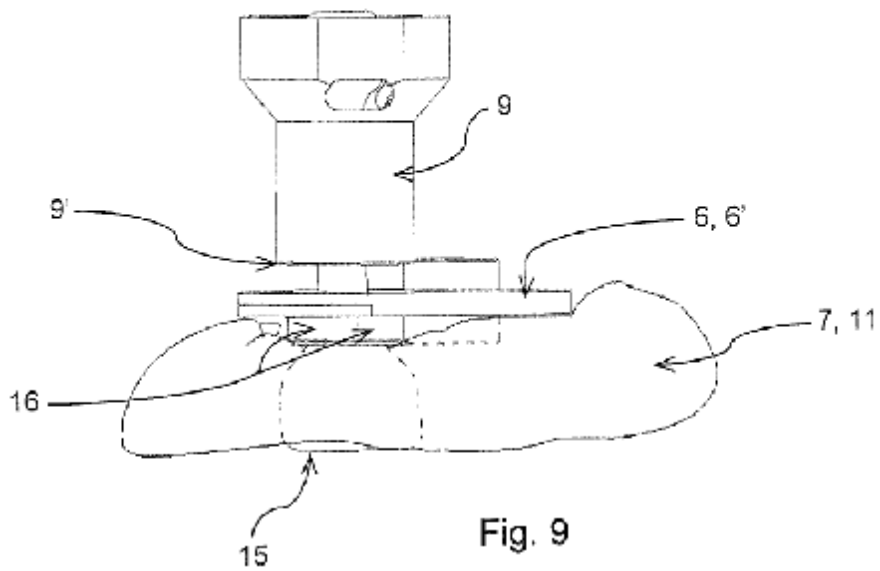
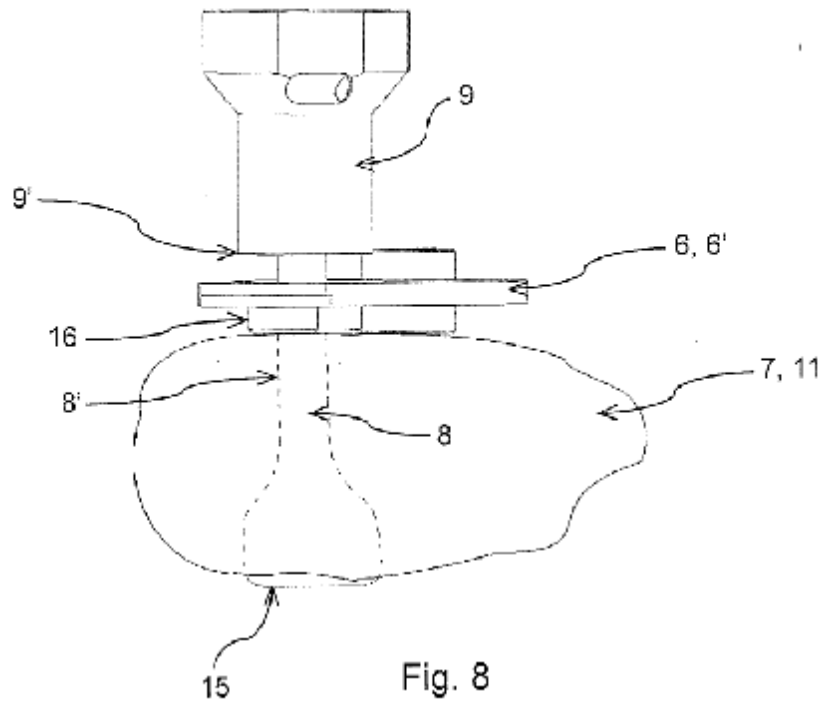
Fig. 7

*Chadha*

(Chetan Chadha)

Patent Agent for the Applicant

8/10



*Chadha*

(Chetan Chadha)

Patent Agent for the Applicant

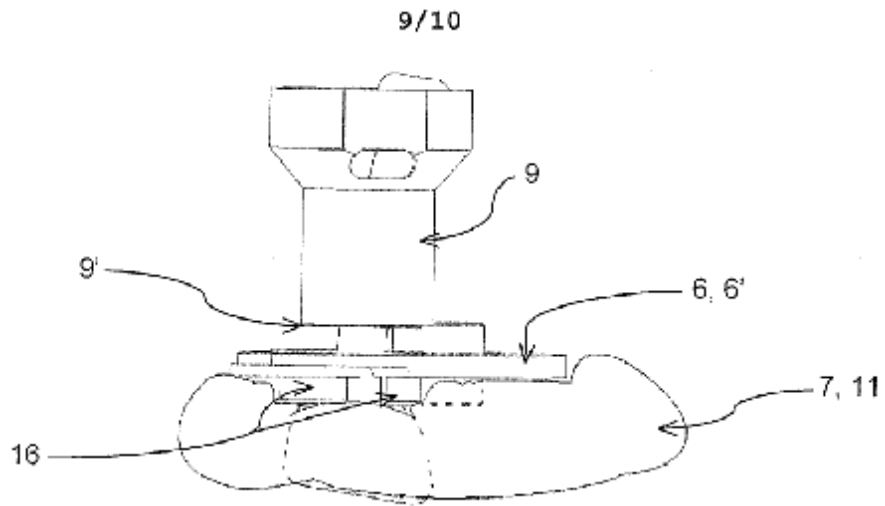


Fig. 10

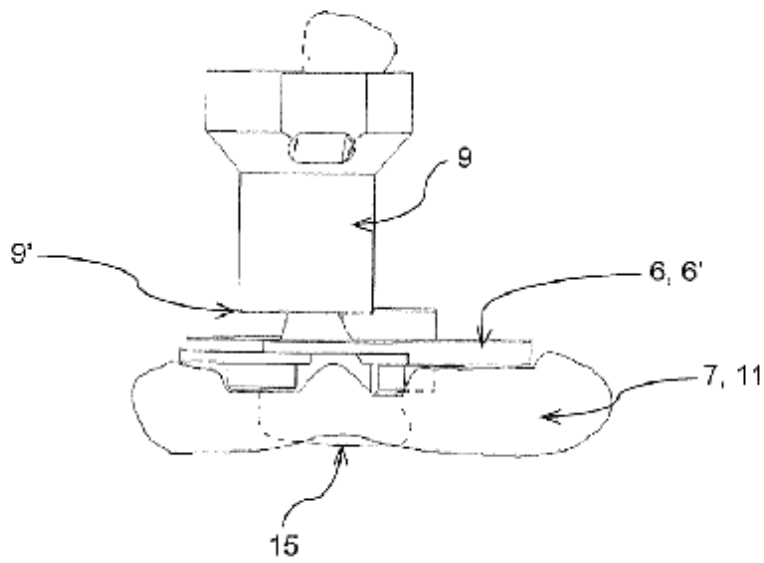


Fig. 11

*Chadha*

(Chetan Chadha)

Patent Agent for the Applicant

10/10

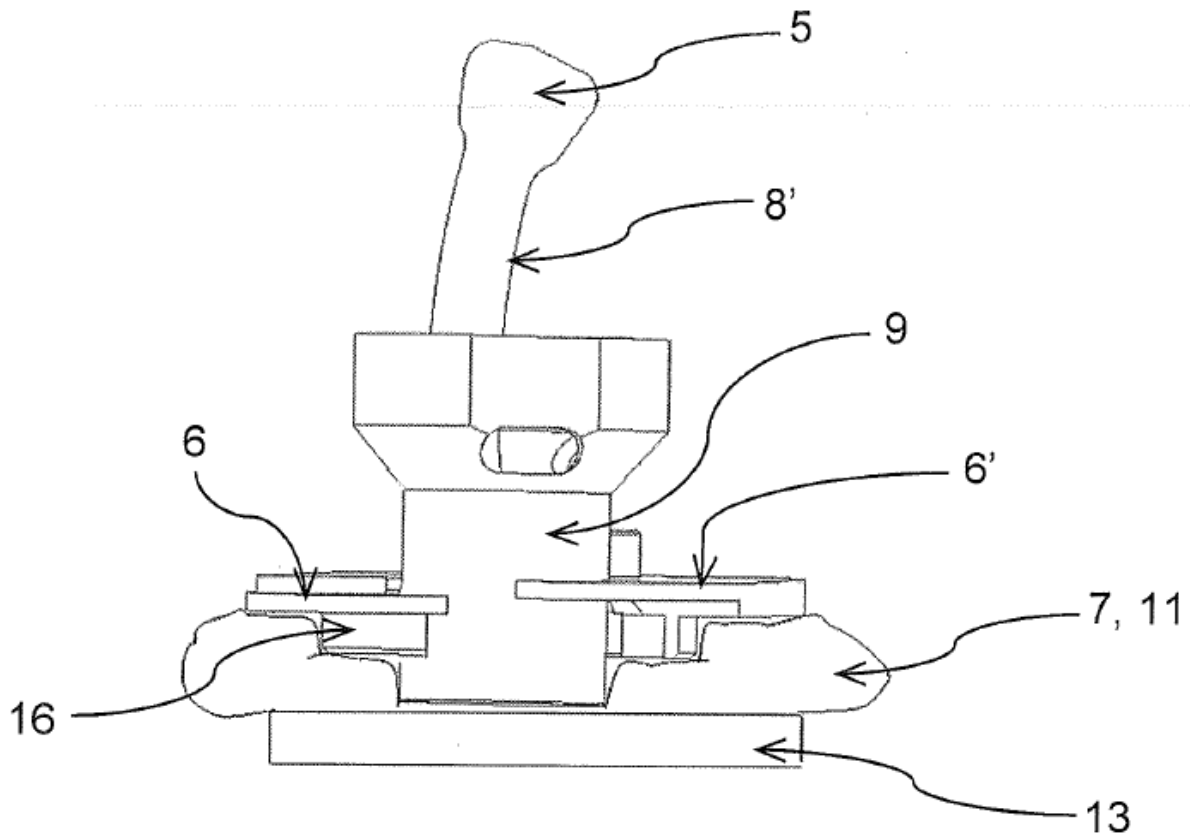


Fig. 12

*Chadha*

(Chetan Chadha)

Patent Agent for the Applicant