



US00D465328S

(12) **United States Design Patent**  
**Hassett**

(10) **Patent No.:** **US D465,328 S**

(45) **Date of Patent:** **\*\* Nov. 12, 2002**

(54) **CASE FOR A CAMERA AND ACCESSORIES**

D454,428 S \* 3/2002 Hillman ..... D3/219  
D455,547 S \* 4/2002 Hillman ..... D3/219

(75) Inventor: **Eric Hassett**, Golden, CO (US)

**OTHER PUBLICATIONS**

(73) Assignee: **Case Logic, Inc.**, Longmont, CO (US)

Case Logic Catalog—Photo/Video Section.  
Case Logic Catalog—Spring 2000—Photo/Video Section.  
Lowpro2000 Catalog.  
Ambico Video Luggage & Photo Cases Catalog, pp. 8–10.  
Tamrac Catalog.

(\*\*) Term: **14 Years**

\* cited by examiner

(21) Appl. No.: **29/141,291**

(22) Filed: **May 2, 2001**

(51) **LOC (7) Cl.** ..... **03-01**

*Primary Examiner*—Celia Murphy

(52) **U.S. Cl.** ..... **D3/267; D3/263**

(74) *Attorney, Agent, or Firm*—Sheridan Ross P.C.

(58) **Field of Search** ..... D3/208, 215, 219,  
D3/225, 226, 243, 263, 268, 273, 276,  
283, 285, 287, 289, 290, 301; D7/607;  
206/316.1, 316.2; 224/583, 612, 908

(57) **CLAIM**

The ornamental design for a case for a camera and accessories, as shown and described.

(56) **References Cited**

**DESCRIPTION**

**U.S. PATENT DOCUMENTS**

2,691,401	A	*	10/1954	Kontoff	
2,827,096	A	*	3/1958	Hinson	
2,960,137	A	*	11/1960	Lipsitz	
D249,824	S	*	10/1978	Koszegi	D3/268
D257,906	S	*	1/1981	Weinreb	D3/268
D258,702	S	*	3/1981	Weinreb	D3/268
D269,227	S	*	6/1983	Stark	D3/287
D273,533	S	*	4/1984	Weinreb	D3/268
D273,534	S	*	4/1984	Weinreb	D3/268
D273,535	S	*	4/1984	Weinreb	D3/268
4,545,414	A	*	10/1985	Baum	
4,620,579	A	*	11/1986	Lowe et al.	206/316.2
D325,128	S	*	4/1992	Cyr et al.	D3/287
5,201,867	A	*	4/1993	Morszeck	206/316.2
5,356,004	A	*	10/1994	Weinreb	206/316.2
D355,568	S	*	2/1995	Paulin et al.	D7/607
D369,676	S	*	5/1996	Palmer	D3/268
5,769,221	A	*	6/1998	Cyr	206/316.1
5,775,496	A	*	7/1998	Cyr	206/316.1

FIG. 1 is a perspective view of a case for a camera and accessories, showing my new design. The broken lines showing gussets, interior dividers and pockets; straps, and handle throughout the views, illustrate the environment in which the design resides, and form no part of the claim.

FIG. 2 is a front elevation view of the invention illustrated in FIG. 1 shown in a closed position;

FIG. 3 is a rear elevation view of the invention illustrated in FIG. 2;

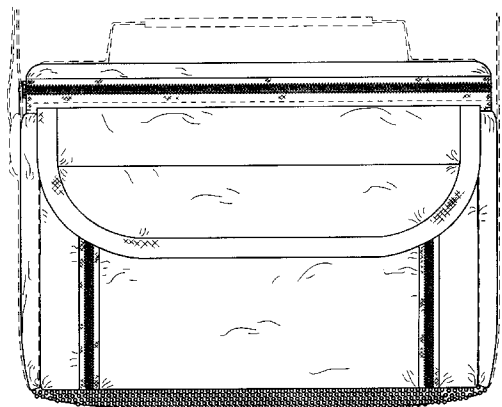
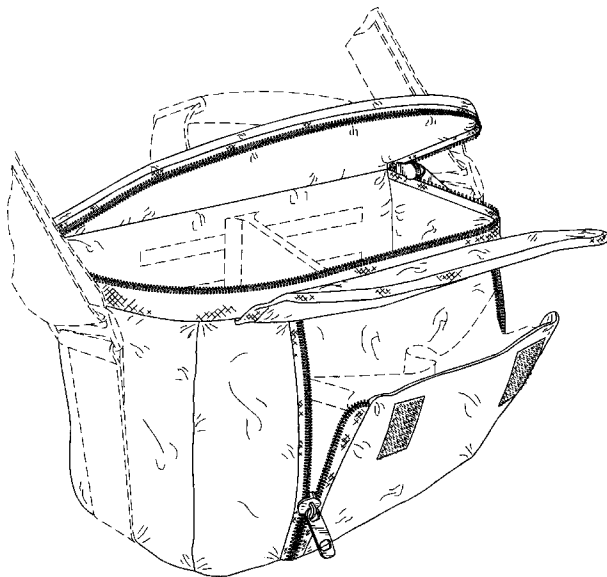
FIG. 4 is a right elevation view of the invention illustrated in FIG. 2;

FIG. 5 is a left elevation view of the invention illustrated in FIG. 2;

FIG. 6 is a top plan view of the invention illustrated in FIG. 2; and,

FIG. 7 is a bottom plan view of the invention illustrated in FIG. 2.

**1 Claim, 4 Drawing Sheets**



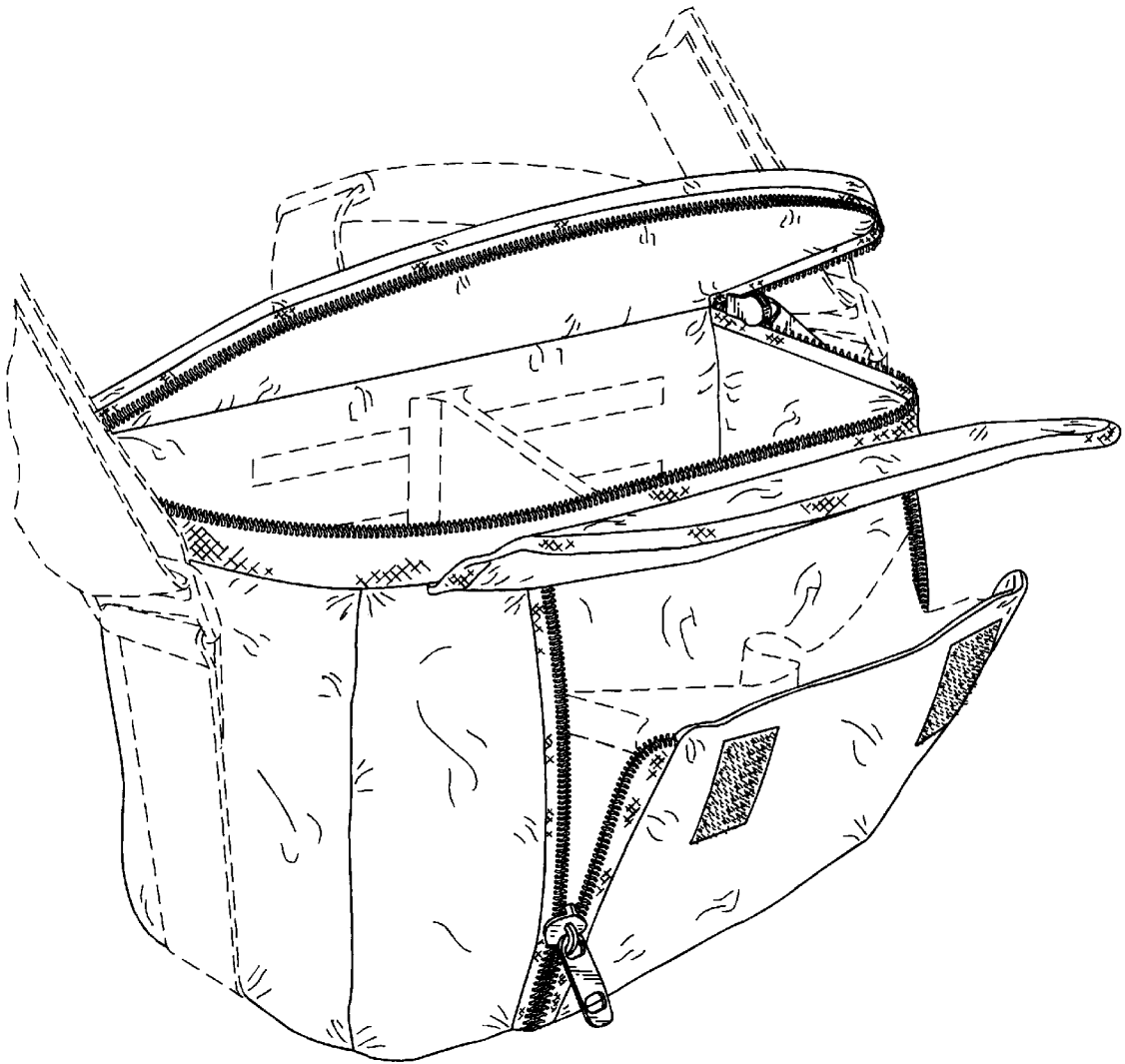


FIG. 1

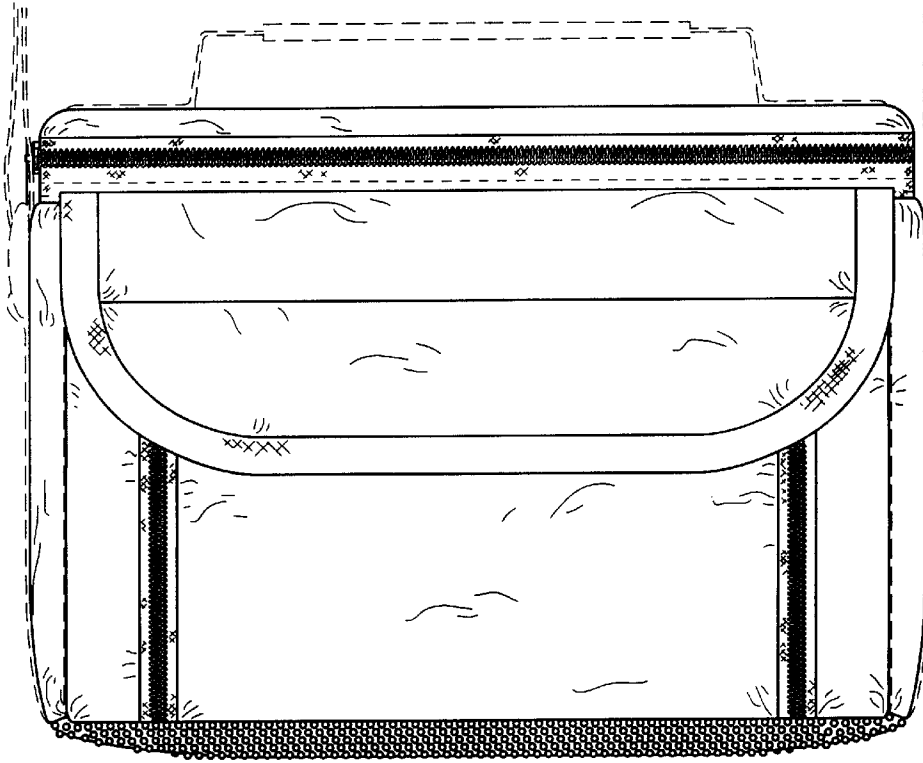


FIG. 2

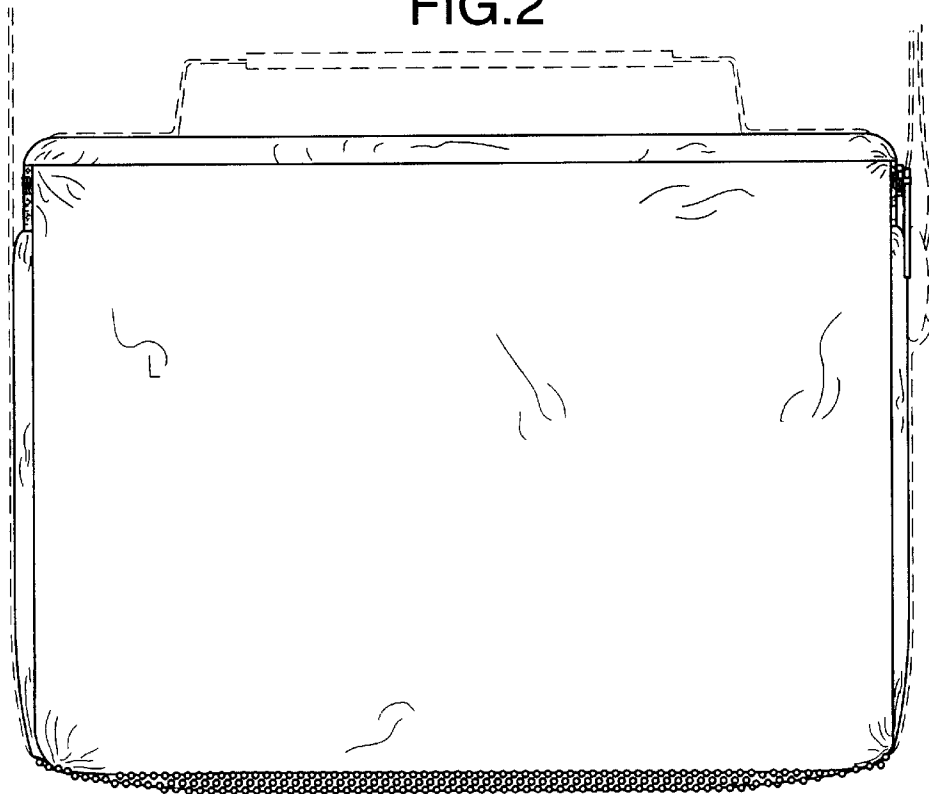


FIG. 3

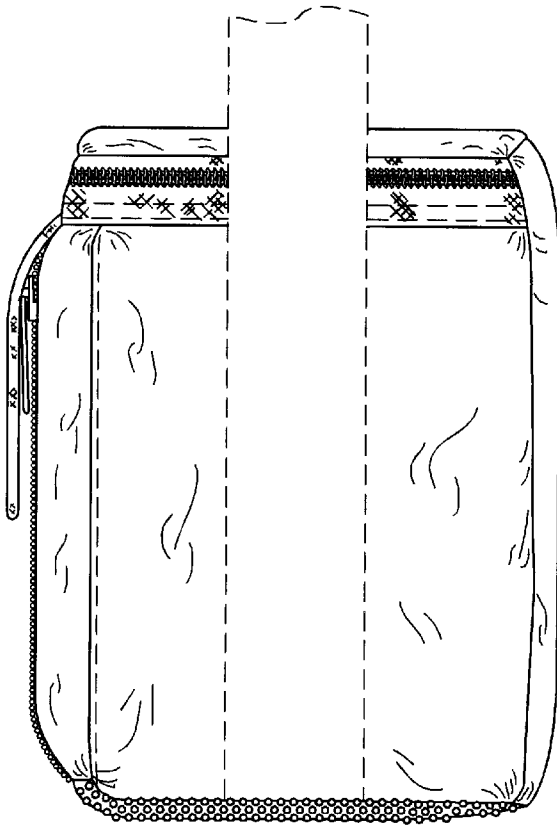


FIG. 4

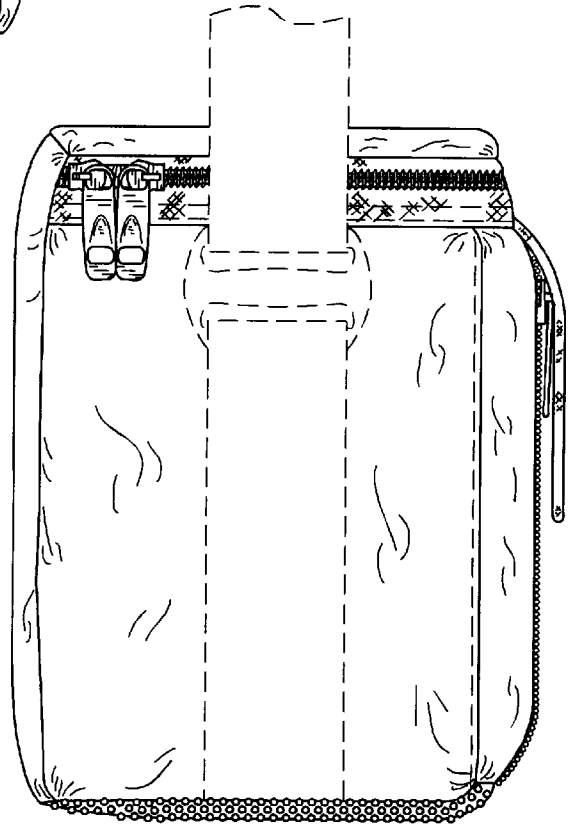


FIG. 5

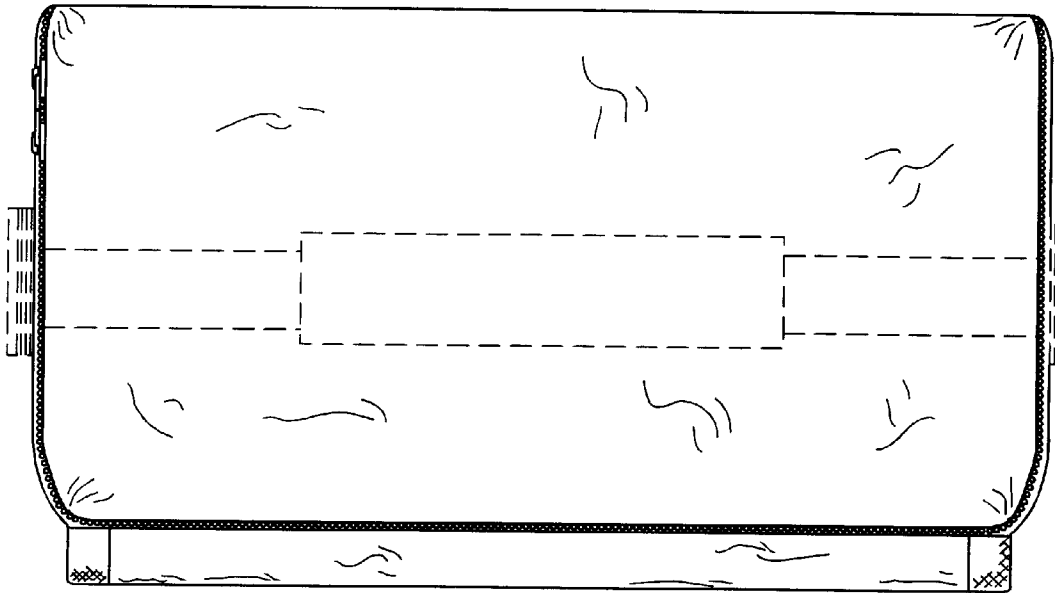


FIG. 6

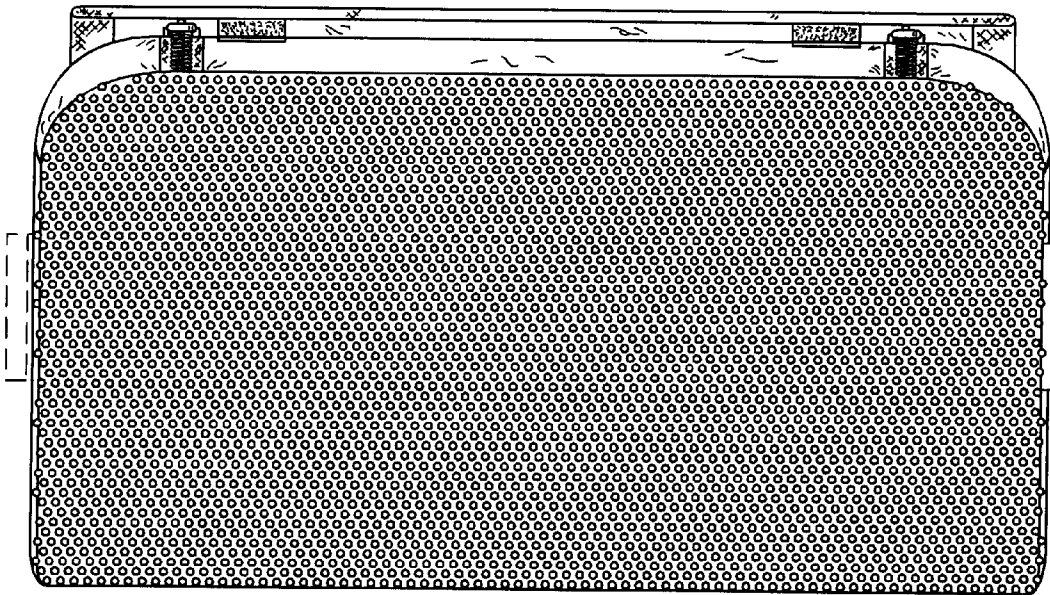


FIG. 7