



US00D996937S

(12) **United States Design Patent**
Kliński et al.

(10) **Patent No.:** **US D996,937 S**

(45) **Date of Patent:** **** Aug. 29, 2023**

(54) **PLIER JAWS**
(71) Applicant: **Conex IPR Limited**, West Midlands (GB)
(72) Inventors: **Grzegorz Kliński**, West Midlands (GB); **Richard Leigh**, West Midlands (GB); **Mano Bakhtiari**, West Midlands (GB)
(73) Assignee: **CONEX IPR LIMITED**
(**) Term: **15 Years**

5,531,141 A * 7/1996 Gilbert, Jr. B25B 7/02
81/424.5
5,647,563 A * 7/1997 Gantner F16L 33/035
24/23 EE
D681,440 S * 5/2013 Yu D8/396
2012/0145270 A1* 6/2012 Krausz F16L 33/04
285/337
2013/0249212 A1* 9/2013 McKiernan F16L 23/10
285/407
2018/0031149 A1* 2/2018 Van Der Mik F16L 3/243
2018/0259103 A1* 9/2018 Ignaczak F01N 13/1805
2020/0232581 A1* 7/2020 Zhang F16L 3/1222
2021/0215272 A1* 7/2021 Chern F16L 3/1058
2022/0228684 A1* 7/2022 Ren F16L 23/08

* cited by examiner

(21) Appl. No.: **29/765,207**

(22) Filed: **Jan. 6, 2021**

(30) **Foreign Application Priority Data**

Jul. 9, 2020 (EP) 008035141-0001

(51) **LOC (14) Cl.** **08-05**

(52) **U.S. Cl.**
USPC **D8/52**

(58) **Field of Classification Search**
USPC D8/4, 5, 21, 26, 51-58, 92, 93, 105;
D19/69, 70; D21/532; D22/149, 150;
D24/146, 148, 149
CPC F16L 3/1075; F16L 3/1058; F16L 3/1222;
H02G 1/1209; B25B 7/02; B25B 7/14;
B25B 7/22

See application file for complete search history.

(56) **References Cited**

U.S. PATENT DOCUMENTS

3,203,221 A * 8/1965 Conner B25B 27/146
72/409.01
D371,287 S * 7/1996 Gilbert, Jr. D8/27

Primary Examiner — David G Muller
Assistant Examiner — Christina Gabrielle Cosden
(74) *Attorney, Agent, or Firm* — Wood, Phillips, Katz,
Clark & Mortimer

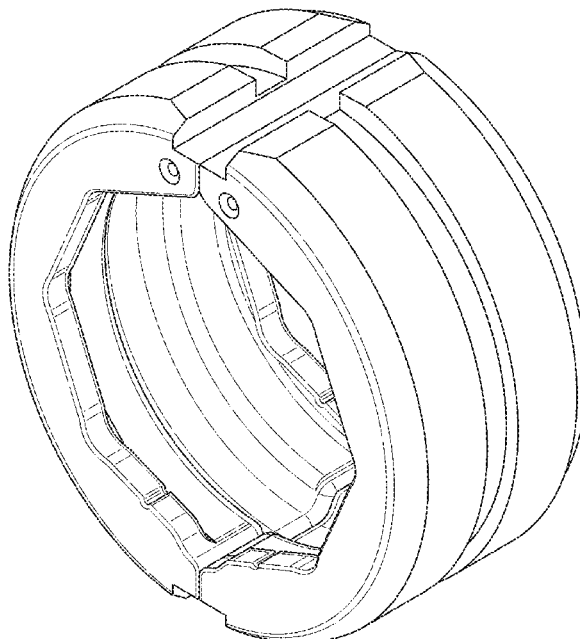
(57) **CLAIM**

The design for a plier jaws, as shown and described.

DESCRIPTION

FIG. 1 is a perspective view of the plier jaws;
FIG. 2 is a front view thereof;
FIG. 3 is a back view thereof;
FIG. 4 is a right side view thereof;
FIG. 5 is a left side view thereof;
FIG. 6 is a top view thereof; and,
FIG. 7 is a bottom view thereof.

1 Claim, 5 Drawing Sheets



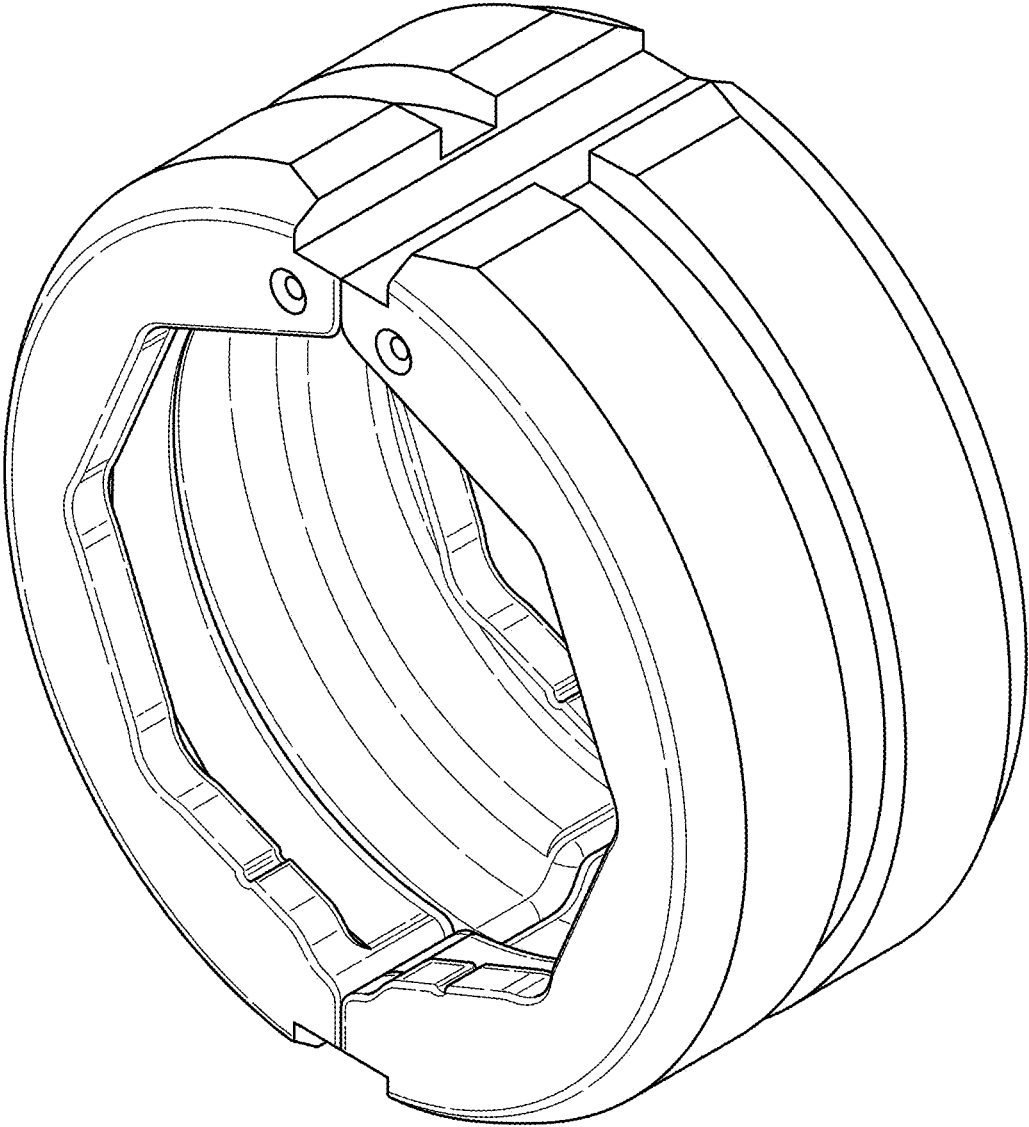


Fig. 1

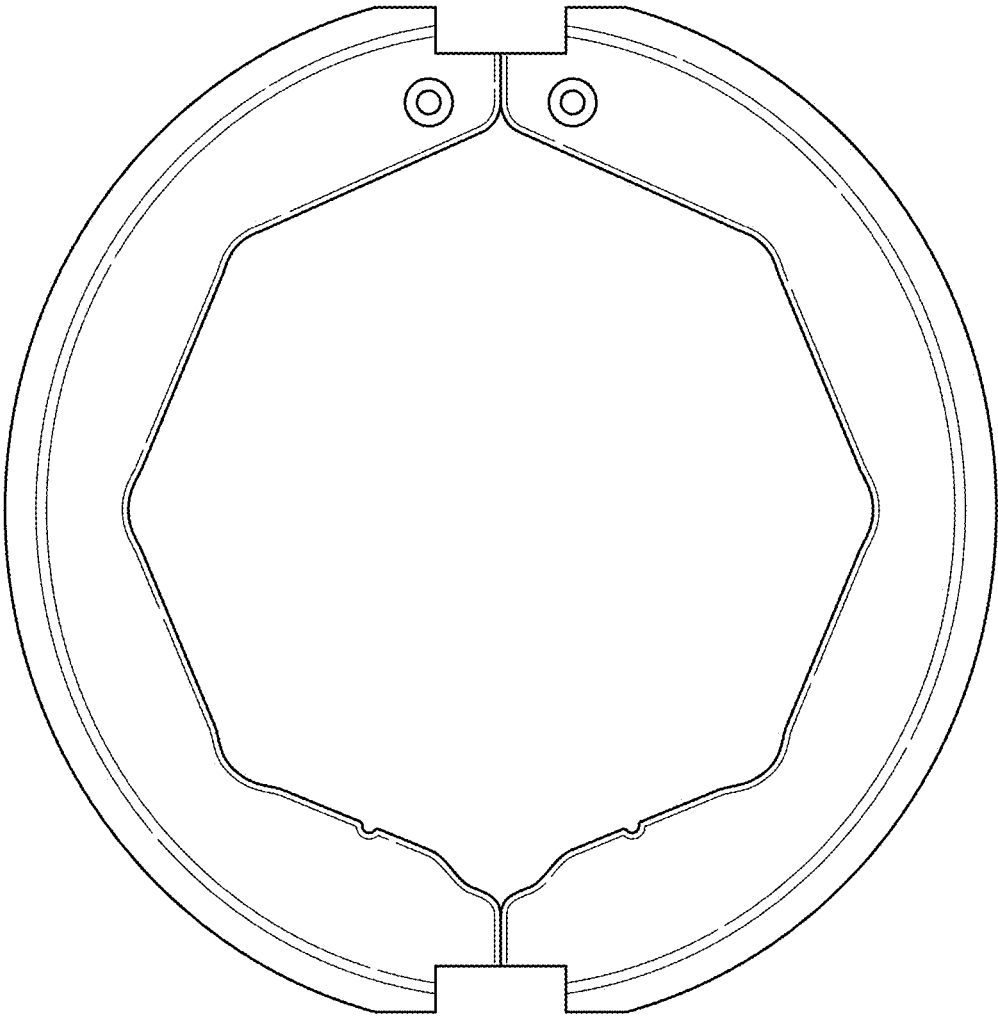


Fig. 2

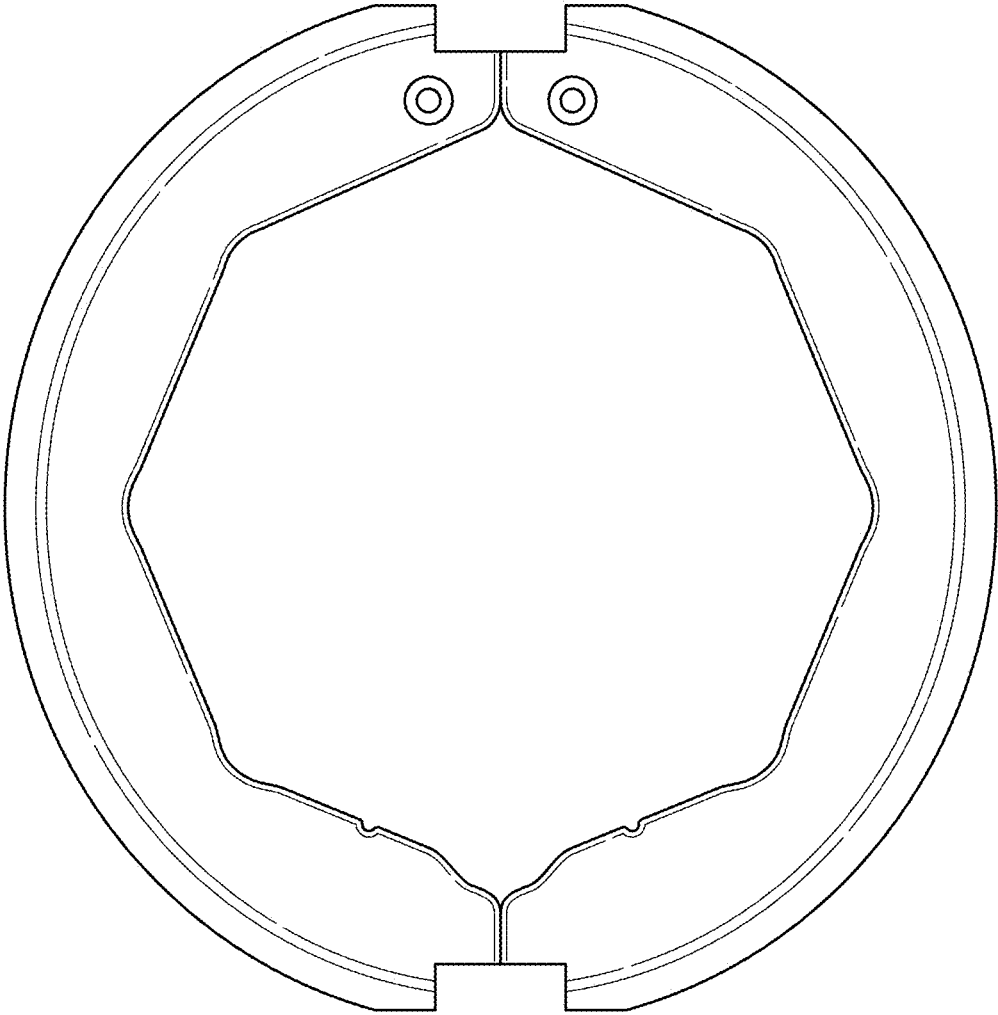


Fig. 3

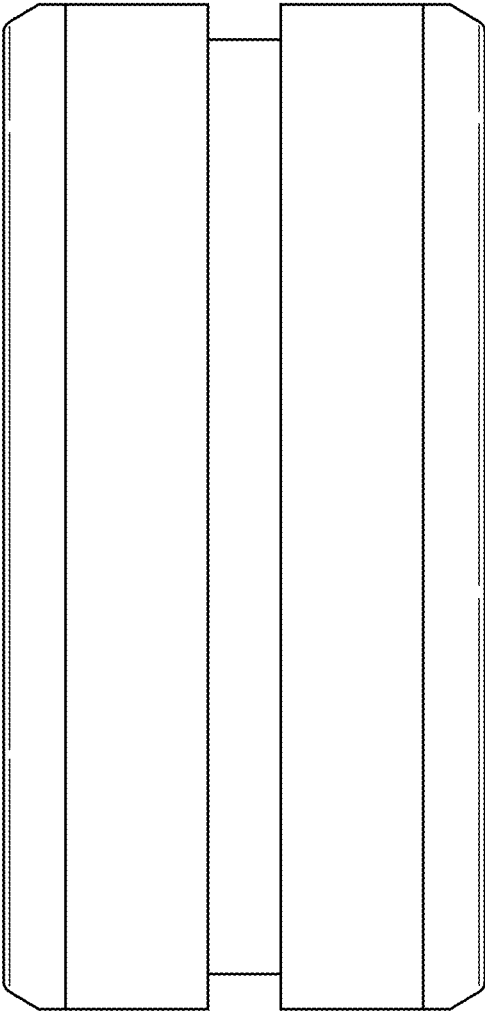


Fig. 4

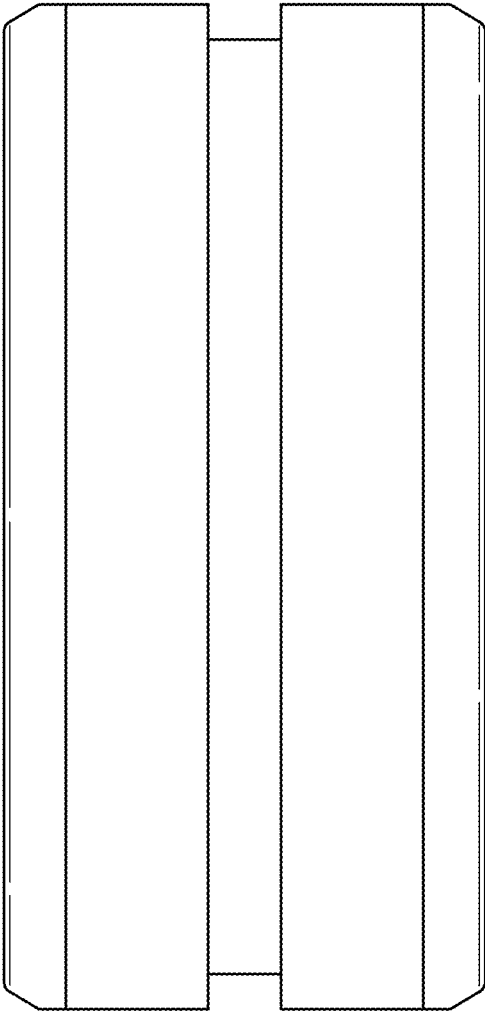


Fig. 5

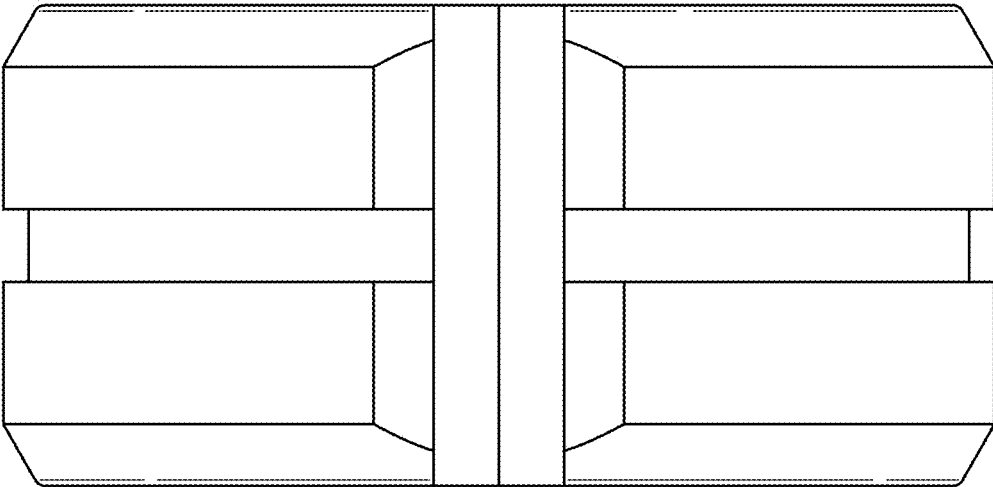


Fig. 6

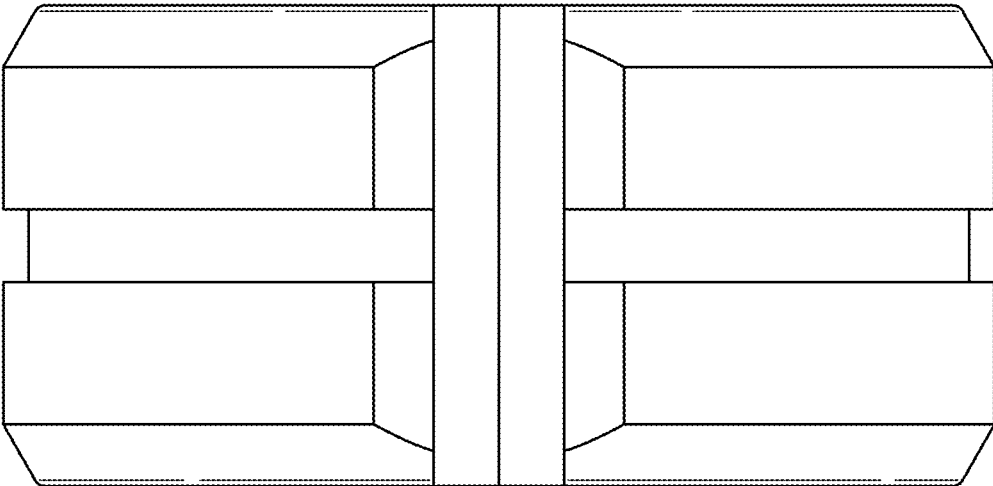


Fig. 7