

(19) World Intellectual Property Organization
International Bureau



(43) International Publication Date
2 February 2006 (02.02.2006)

PCT

(10) International Publication Number
WO 2006/012269 A3

(51) International Patent Classification : **B65D 83/16**,
83/20

(21) International Application Number:
PCT/US2005/022395

(22) International Filing Date: 23 June 2005 (23.06.2005)

(25) Filing Language: English

(26) Publication Language: English

(30) Priority Data:
10/877,162 25 June 2004 (25.06.2004) US

(71) Applicant (for all designated States except US): **S. C. JOHNSON & SON, INC.** [US/US]; 1525 Howe Street, Racine, Wisconsin 53403 (US).

(72) Inventors; and

(75) Inventors/Applicants (for US only): **HEALY, Brian, E.** [US/US]; W28783 Huntington Street, Hartland, Wisconsin 53029 (US). **WESTPHAL, Nathan, R.** [US/US]; 145 Wellington Drive, Union Grove, Wisconsin 53182 (US). **MILLER, Allen, D.** [US/US]; 6008 Independence Road,

Racine, Wisconsin 53406 (US). **DEMAREST, Scott, W.** [US/US]; 7607 W. River Road, Caledonia, Wisconsin 53108 (US). **CONWAY, Simon, M.** [US/US]; 6207 Jones Road, Caledonia, Wisconsin 53108 (US).

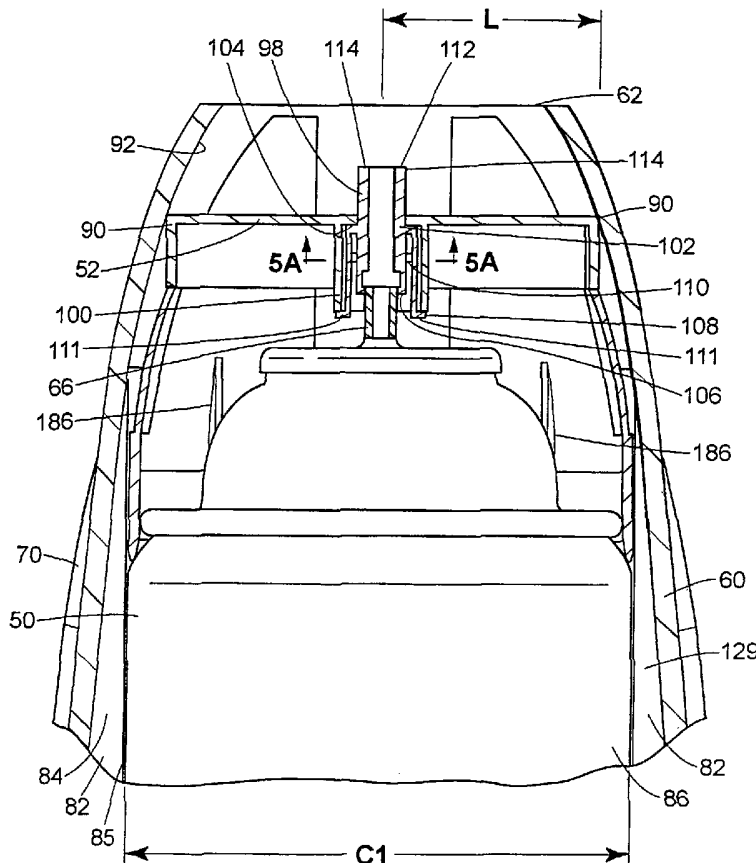
(74) Agent: **HOUSER, David, J.**; S. C. JOHNSON & SON, INC., 1525 Howe Street, Racine, Wisconsin 53403 (US).

(81) Designated States (unless otherwise indicated, for every kind of national protection available): AE, AG, AL, AM, AT, AU, AZ, BA, BB, BG, BR, BW, BY, BZ, CA, CH, CN, CO, CR, CU, CZ, DE, DK, DM, DZ, EC, EE, EG, ES, FI, GB, GD, GE, GH, GM, HR, HU, ID, IL, IN, IS, JP, KE, KG, KM, KP, KR, KZ, LC, LK, LR, LS, LT, LU, LV, MA, MD, MG, MK, MN, MW, MX, MZ, NA, NG, NI, NO, NZ, OM, PG, PH, PL, PT, RO, RU, SC, SD, SE, SG, SK, SL, SM, SY, TJ, TM, TN, TR, TT, TZ, UA, UG, US, UZ, VC, VN, YU, ZA, ZM, ZW.

(84) Designated States (unless otherwise indicated, for every kind of regional protection available): ARIPO (BW, GH, GM, KE, LS, MW, MZ, NA, SD, SL, SZ, TZ, UG, ZM, ZW), Eurasian (AM, AZ, BY, KG, KZ, MD, RU, TJ, TM),

[Continued on next page]

(54) Title: VALVE ACTUATING APPARATUSES AND METHODS ASSOCIATED THEREWITH



(57) Abstract: A combination includes a container (50) of product having a longitudinal dimension and a valve oriented to discharge product generally longitudinally from the container. A housing (60) includes a first wall portion (70) enclosing a main body of the container and a second tapered wall portion (61) adjacent the first wall portion tapering to a discharge opening. The discharge opening (62) has a cross sectional size larger than a radius (R) of the container. Valve actuating apparatus (52) extends laterally from the valve and has an interfering relationship with the first wall portion (70). Relative movement of the container toward the discharge opening (62) causes the valve actuating apparatus (52) to be displaced against the first wall portion to actuate the valve and dispense product from the housing (60).

WO 2006/012269 A3



European (AT, BE, BG, CH, CY, CZ, DE, DK, EE, ES, FI, FR, GB, GR, HU, IE, IS, IT, LT, LU, MC, NL, PL, PT, RO, SE, SI, SK, TR), OAPI (BF, BJ, CF, CG, CI, CM, GA, GN, GQ, GW, ML, MR, NE, SN, TD, TG).

(88) Date of publication of the international search report:
16 March 2006

Published:

- *with international search report*
- *before the expiration of the time limit for amending the claims and to be republished in the event of receipt of amendments*

For two-letter codes and other abbreviations, refer to the "Guidance Notes on Codes and Abbreviations" appearing at the beginning of each regular issue of the PCT Gazette.

INTERNATIONAL SEARCH REPORT

International Application No
PCT/US2005/022395

A. CLASSIFICATION OF SUBJECT MATTER
 B65D83/16 B65D83/20

According to International Patent Classification (IPC) or to both national classification and IPC

B. FIELDS SEARCHED

Minimum documentation searched (classification system followed by classification symbols)
 B65D B05B E01C A47L A01M A61M

Documentation searched other than minimum documentation to the extent that such documents are included in the fields searched

Electronic data base consulted during the international search (name of data base and, where practical, search terms used)

EPO-Internal

C. DOCUMENTS CONSIDERED TO BE RELEVANT

Category *	Citation of document, with indication, where appropriate, of the relevant passages	Relevant to claim No.
X	WO 03/103760 A (KABILA INVESTMENTS PTY. LIMITED; KERRIE LEE NOMINEES PTY. LIMITED; COL) 18 December 2003 (2003-12-18)	17-24
A	page 3, line 17 - page 6, line 19 figures 2-7	1,5-11, 25-27
X	DE 86 02 237 U1 (WISCHERATH & SCHREINER KG, 8744 MELLRICHSTADT, DE) 7 May 1986 (1986-05-07)	17-24
A	page 3, line 25 - page 4, line 13 figure 1	1,5-11, 25-27
	----- -/--	

Further documents are listed in the continuation of box C.

Patent family members are listed in annex.

* Special categories of cited documents :

<p>"A" document defining the general state of the art which is not considered to be of particular relevance</p> <p>"E" earlier document but published on or after the international filing date</p> <p>"L" document which may throw doubts on priority claim(s) or which is cited to establish the publication date of another citation or other special reason (as specified)</p> <p>"O" document referring to an oral disclosure, use, exhibition or other means</p> <p>"P" document published prior to the international filing date but later than the priority date claimed</p>	<p>"T" later document published after the international filing date or priority date and not in conflict with the application but cited to understand the principle or theory underlying the invention</p> <p>"X" document of particular relevance; the claimed invention cannot be considered novel or cannot be considered to involve an inventive step when the document is taken alone</p> <p>"Y" document of particular relevance; the claimed invention cannot be considered to involve an inventive step when the document is combined with one or more other such documents, such combination being obvious to a person skilled in the art.</p> <p>"&" document member of the same patent family</p>
--------------------------------------------------------------------------------------------------------------------------------------------------------------------------------------------------------------------------------------------------------------------------------------------------------------------------------------------------------------------------------------------------------------------------------------------------------------------------------------------------------------------------------------------------------------------------------------	------------------------------------------------------------------------------------------------------------------------------------------------------------------------------------------------------------------------------------------------------------------------------------------------------------------------------------------------------------------------------------------------------------------------------------------------------------------------------------------------------------------------------------------------------------------------------------------------------------------------------------------------------------------------------------------------------------------

Date of the actual completion of the international search

21 December 2005

Date of mailing of the international search report

05. 01. 2006

Name and mailing address of the ISA

European Patent Office, P.B. 5818 Patentlaan 2
 NL - 2280 HV Rijswijk
 Tel. (+31-70) 340-2040, Tx. 31 651 epo nl,
 Fax: (+31-70) 340-3016

Authorized officer

Rodriguez Gombau, F

INTERNATIONAL SEARCH REPORT

International Application No

PCT/US2005/022395

C.(Continuation) DOCUMENTS CONSIDERED TO BE RELEVANT

Category °	Citation of document, with indication, where appropriate, of the relevant passages	Relevant to claim No.
X	BE 1 010 692 A6 (FOGEL RAPHEL)	17-24
A	1 December 1998 (1998-12-01)	
	page 3, paragraph 3 - page 5, paragraph 3	1,5-11,
	figures 3,4	25-27
A	US 3 487 979 A (ROGER EDWARD COLLINGWOOD ALTOUNYAN ET AL)	1,5-11
	6 January 1970 (1970-01-06)	
	column 2, line 44 - line 60	
	figures 1,2	
A	US 5 287 998 A (SMRT ET AL)	1,5-11
	22 February 1994 (1994-02-22)	
	cited in the application	
	column 4, line 12 - column 8, line 32	
	figure 2	
A	US 3 794 217 A (MUNCHEL C,US)	1,5-11
	26 February 1974 (1974-02-26)	
	column 4, line 51 - column 5, line 8	
	column 5, line 49 - column 6, line 58	
	column 8, line 64 - column 9, line 20	
	figures 1,2,4,8-10,13	
A	FR 2 338 866 A (EMKO CY)	1,5-11
	19 August 1977 (1977-08-19)	
	page 3, line 37 - page 4, line 36	
	figures 1-4	

INTERNATIONAL SEARCH REPORT

international application No.
PCT/US2005/022395

Box II Observations where certain claims were found unsearchable (Continuation of item 2 of first sheet)

This International Search Report has not been established in respect of certain claims under Article 17(2)(a) for the following reasons:

1. Claims Nos.:
because they relate to subject matter not required to be searched by this Authority, namely:

2. Claims Nos.:
because they relate to parts of the International Application that do not comply with the prescribed requirements to such an extent that no meaningful International Search can be carried out, specifically:

3. Claims Nos.:
because they are dependent claims and are not drafted in accordance with the second and third sentences of Rule 6.4(a).

Box III Observations where unity of invention is lacking (Continuation of item 3 of first sheet)

This International Searching Authority found multiple inventions in this international application, as follows:

see additional sheet

1. As all required additional search fees were timely paid by the applicant, this International Search Report covers all searchable claims.

2. As all searchable claims could be searched without effort justifying an additional fee, this Authority did not invite payment of any additional fee.

3. As only some of the required additional search fees were timely paid by the applicant, this International Search Report covers only those claims for which fees were paid, specifically claims Nos.:

1,5-11,17-27

4. No required additional search fees were timely paid by the applicant. Consequently, this International Search Report is restricted to the invention first mentioned in the claims; it is covered by claims Nos.:

Remark on Protest

- The additional search fees were accompanied by the applicant's protest.
- No protest accompanied the payment of additional search fees.

FURTHER INFORMATION CONTINUED FROM PCT/ISA/ 210

This International Searching Authority found multiple (groups of) inventions in this international application, as follows:

1. claims: 1,5-11

Combination of a container, a housing and a valve actuating apparatus extending laterally from the valve.

2. claims: 2-4,12-16

Combination of a container, a housing , an adapter and valve actuating apparatus.

3. claims: 17-27

Method of providing apparatus to an end user.

INTERNATIONAL SEARCH REPORT

information on patent family members

International Application No

PCT/US2005/022395

Patent document cited in search report		Publication date	Patent family member(s)	Publication date
WO 03103760	A	18-12-2003	NONE	
DE 8602237	U1	07-05-1986	NONE	
BE 1010692	A6	01-12-1998	NONE	
US 3487979	A	06-01-1970	NONE	
US 5287998	A	22-02-1994	NONE	
US 3794217	A	26-02-1974	NONE	
FR 2338866	A	19-08-1977	NONE	