



(12) **United States Design Patent**  
**Roberts**

(10) **Patent No.:** **US D836,216 S**  
(45) **Date of Patent:** **\*\* Dec. 18, 2018**

- (54) **WINDOW SASH EXTRUSION**
- (71) Applicant: **VEKA, INC.**, Fombell, PA (US)
- (72) Inventor: **William G. Roberts**, Beaver Falls, PA (US)
- (73) Assignee: **VEKA, INC.**, Fombell, PA (US)
- (\*\*) Term: **15 Years**
- (21) Appl. No.: **29/574,483**
- (22) Filed: **Aug. 16, 2016**

**Related U.S. Application Data**

- (62) Division of application No. 29/528,808, filed on Jun. 1, 2015, now Pat. No. Des. 769,467.
- (51) **LOC (11) Cl.** ..... **25-01**
- (52) **U.S. Cl.**  
USPC ..... **D25/124**
- (58) **Field of Classification Search**  
USPC ..... D25/35, 38.1, 41.1, 47.1, 48.2, 48.3,  
D25/48.4, 55, 119-137, 164, 199;  
D8/349, 353, 354, 355, 363, 373, 376,  
D8/380, 381, 382, 403; D6/324, 327,  
D6/648.1, 653.11, 654.11, 702, 712,  
D6/718.12, 512, 554, 556; D21/484-506  
CPC ... E04C 3/00; E04C 3/005; E04C 3/02; E04C  
3/04; E04C 3/12; E04C 3/20; E04C 3/28;  
E04C 3/30; E06B 1/00; E06B 1/006;  
E06B

(Continued)

(56) **References Cited**

**U.S. PATENT DOCUMENTS**

- D364,472 S \* 11/1995 Goss, Jr. .... D25/124
- D364,690 S \* 11/1995 Goss, Jr. .... D25/124

(Continued)

*Primary Examiner* — Cynthia Ramirez  
*Assistant Examiner* — L. Martinez

(74) *Attorney, Agent, or Firm* — Eckert Seamans Cherin & Mellott, LLC; Arnold B. Silverman

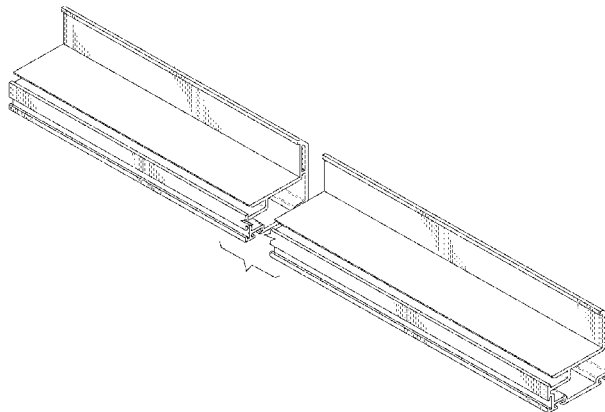
(57) **CLAIM**

The ornamental design for a window sash extrusion, as shown and described.

**DESCRIPTION**

FIG. 1 is a top front isometric view showing my new design. FIG. 2 is a rear elevations view of the window sash extrusion of FIG. 1. FIG. 3 is a front elevational view of the window sash extrusion of FIG. 1. FIG. 4 is a top plan view of the window sash extrusion of FIG. 1. FIG. 5 is a bottom plan view of the window sash extrusion of FIG. 1. FIG. 6 is a right side elevational view of the window sash extrusion of FIG. 1. FIG. 7 is a left side elevational view of the window sash extrusion of FIG. 1. FIG. 8 is a top front isometric view another embodiment of my window sash extrusion design. FIG. 9 is a front elevation view of the window sash extrusion of FIG. 8. FIG. 10 is a rear elevational view of the window sash extrusion of FIG. 8. FIG. 11 is a top plan view of the window sash extrusion of FIG. 8. FIG. 12 is a bottom plan view of the window sash extrusion of FIG. 8. FIG. 13 is a right side elevational view of the window sash extrusion of FIG. 8; and, FIG. 14 is a left side elevational view of the window sash extrusion of FIG. 8. The window sash extrusion is shown with a symbolic break in its length. The appearance of any portion of window sash extrusion between the break lines forms no part of the claimed design.

**1 Claim, 8 Drawing Sheets**



(58) **Field of Classification Search**

CPC .... 1/02; E06B 1/04; E06B 1/045; E06B 1/06;  
 E06B 1/12; E06B 1/16; E06B 1/26; E06B  
 1/30; E06B 1/32; E06B 1/325; E06B  
 1/34; E06B 1/342; E06B 1/345; E06B  
 1/347; E06B 1/36; E06B 1/363; E06B  
 1/366; E06B 1/38; E06B 1/40; E06B  
 1/52; E06B 1/522; E06B 1/524; E06B  
 1/526; E06B 1/528; E06B 1/56; E06B  
 1/60; E06B 1/6092; E06B 1/62; E06B  
 1/70; E06B 1/702; E06B 1/705; E06B  
 1/707; E04B 2/00; E04B 2/74; E04B  
 2/76; E04B 2/761; E04B 2/762; E04B  
 2/763; E04B 2/764; E04B 2/765; E04B  
 2/7854; E04B 2/7863; E04B 2/7872;  
 E04B 2/7881; E04B 2/789; E04B  
 2001/2436; E04B 2001/2439; E04B  
 2001/2442; E04B 2001/2445; E04B  
 2001/2448; E04B 2001/2451; E04B  
 2001/2454; E04B 2001/2457; E04B  
 2001/246; E04B 2001/2463; E04F 19/02;  
 E04F 19/022; E04F 19/026; E04F 19/028;  
 E04F 19/04; E04F 19/0436; E04F  
 19/0481; E04F 19/0486; E04F 19/06;  
 E04F 19/061; E04F 19/064; E04F  
 2019/0404; E04F 2019/0413; E04F  
 2019/0422; E04F 2019/0454

See application file for complete search history.

(56) **References Cited**

U.S. PATENT DOCUMENTS

D382,654 S \* 8/1997 DiGiorgio ..... D25/124  
 D433,161 S \* 10/2000 Lockbeam ..... D25/124  
 D452,743 S \* 1/2002 Edger ..... D25/124  
 D464,443 S \* 10/2002 Franson ..... D25/124  
 D473,325 S \* 4/2003 Schrader ..... D25/124  
 D493,540 S \* 7/2004 Wickland ..... D25/124  
 D495,432 S \* 8/2004 Franson ..... D25/124  
 D500,560 S \* 1/2005 Willman ..... D25/124  
 D502,999 S \* 3/2005 Wickland ..... D25/124  
 D557,824 S \* 12/2007 Willman ..... D25/124  
 D557,825 S 12/2007 Willman .....  
 D557,826 S \* 12/2007 Willman ..... D25/124  
 D566,858 S \* 4/2008 Fannan ..... D25/124  
 D576,299 S \* 9/2008 Morton ..... D25/124  
 D576,747 S 9/2008 Morton et al.  
 D578,663 S \* 10/2008 Franson ..... D25/124  
 D578,665 S \* 10/2008 Franson ..... D25/124

D578,666 S \* 10/2008 Franson ..... D25/124  
 D583,072 S \* 12/2008 Campbell ..... D25/124  
 D583,080 S \* 12/2008 Campbell ..... D25/124  
 D590,959 S \* 4/2009 Franson ..... D25/124  
 D590,962 S 4/2009 Campbell et al.  
 D590,964 S \* 4/2009 Campbell ..... D25/124  
 D590,965 S \* 4/2009 Campbell ..... D25/124  
 D591,432 S \* 4/2009 Campbell ..... D25/124  
 D592,764 S \* 5/2009 Campbell ..... D25/124  
 D593,686 S \* 6/2009 Campbell ..... D25/124  
 D593,687 S \* 6/2009 Campbell ..... D25/124  
 D597,220 S \* 7/2009 Campbell ..... D25/124  
 D598,140 S \* 8/2009 Bergmann ..... D25/124  
 D602,607 S \* 10/2009 Wickland ..... D25/124  
 D602,609 S \* 10/2009 Lockbeam ..... D25/124  
 D616,566 S 5/2010 Desrosiers et al.  
 D651,725 S \* 1/2012 Wickland ..... D25/124  
 D672,888 S 12/2012 Veryser  
 D679,384 S \* 4/2013 Morton ..... D25/124  
 D692,165 S \* 10/2013 Fannan ..... D25/124  
 D692,586 S 10/2013 Fannan  
 D692,589 S 10/2013 Wickland  
 D692,590 S \* 10/2013 Wickland ..... D25/124  
 D692,591 S \* 10/2013 Kosonen ..... D25/124  
 D692,592 S 10/2013 Kosonen  
 D693,023 S 11/2013 Fannan  
 D693,489 S \* 11/2013 Wickland ..... D25/124  
 D718,881 S 12/2014 Fannan  
 D718,882 S 12/2014 Fannan  
 D724,767 S \* 3/2015 Cloutier ..... D25/125  
 D736,956 S \* 8/2015 Chaney ..... D25/124  
 D736,957 S \* 8/2015 Chaney ..... D25/124  
 D739,044 S \* 9/2015 Campbell ..... D25/124  
 D739,045 S \* 9/2015 Campbell ..... D25/124  
 D739,046 S \* 9/2015 Campbell ..... D25/124  
 D739,562 S \* 9/2015 Campbell ..... D25/124  
 D740,445 S 10/2015 Chaney et al.  
 D740,446 S \* 10/2015 Chaney ..... D25/124  
 D759,845 S \* 6/2016 Marshall ..... D25/124  
 D759,846 S \* 6/2016 Marshall ..... D25/124  
 D759,847 S \* 6/2016 Marshall ..... D25/124  
 D759,848 S \* 6/2016 Marshall ..... D25/124  
 D759,849 S \* 6/2016 Marshall ..... D25/124  
 D759,850 S \* 6/2016 Marshall ..... D25/124  
 D767,790 S \* 9/2016 Chaney ..... D25/124  
 D769,465 S \* 10/2016 Fannan ..... D25/124  
 D769,466 S \* 10/2016 Fannan ..... D25/124  
 D769,467 S \* 10/2016 Roberts ..... D25/124  
 D795,458 S \* 8/2017 Marshall ..... D25/125  
 D795,462 S \* 8/2017 Marshall ..... D25/125  
 D795,463 S \* 8/2017 Marshall ..... D25/125  
 D795,464 S \* 8/2017 Marshall ..... D25/125  
 2005/0050815 A1 3/2005 Engebretson

\* cited by examiner

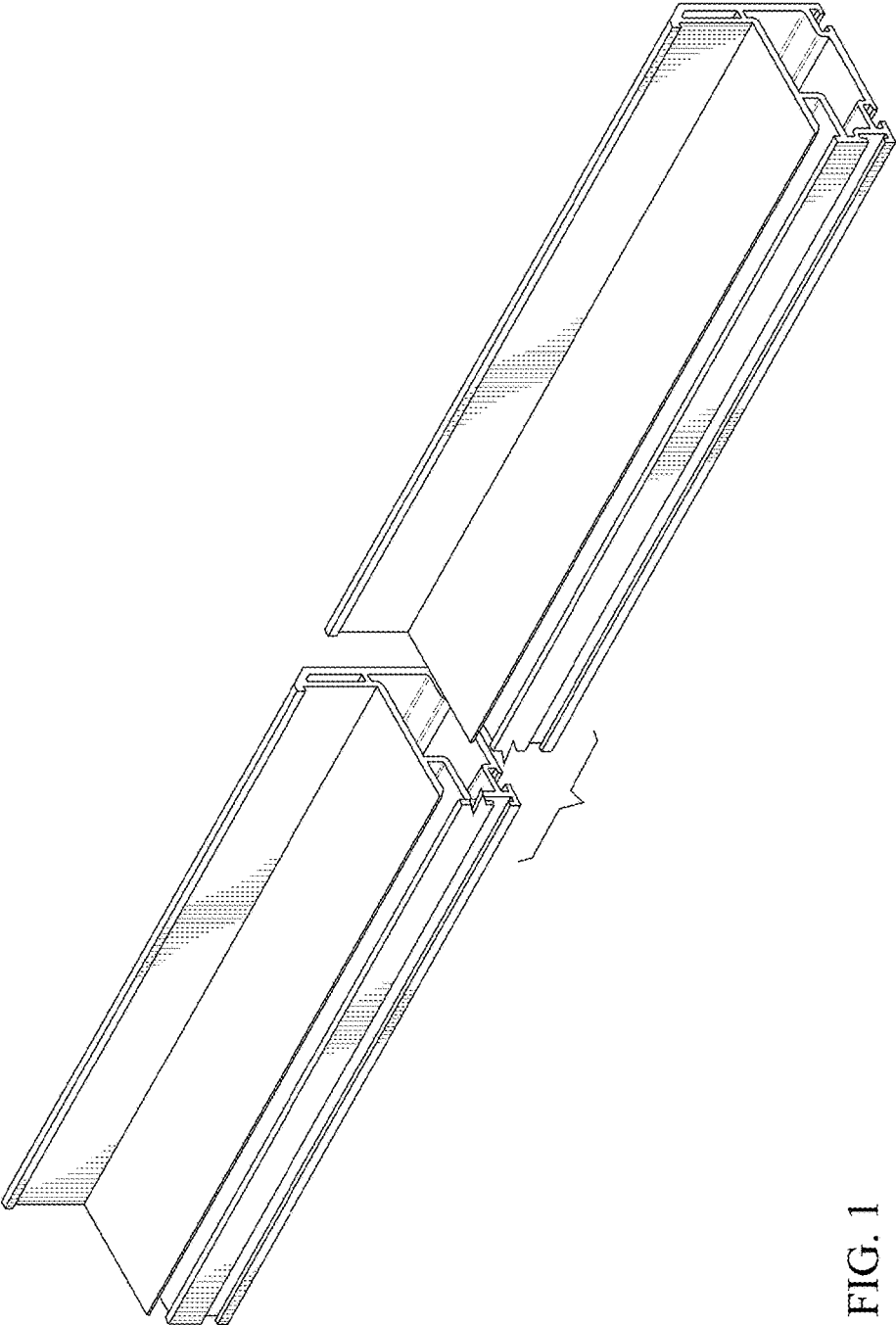


FIG. 1

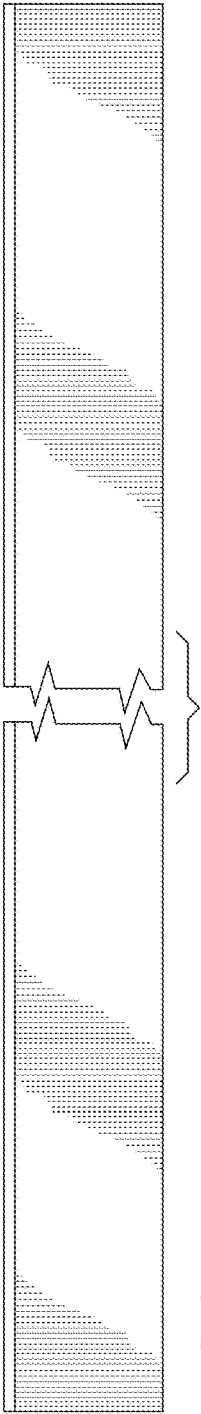


FIG. 2

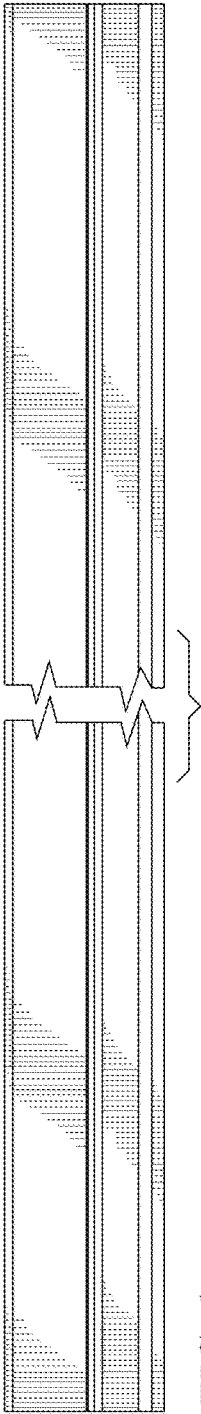


FIG. 3

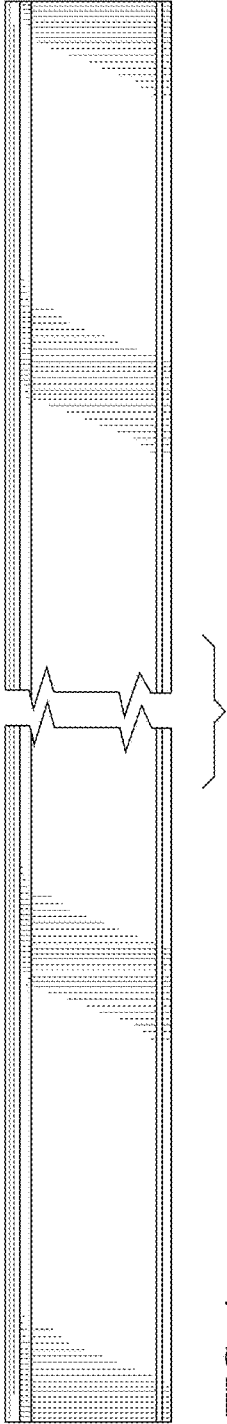


FIG. 4

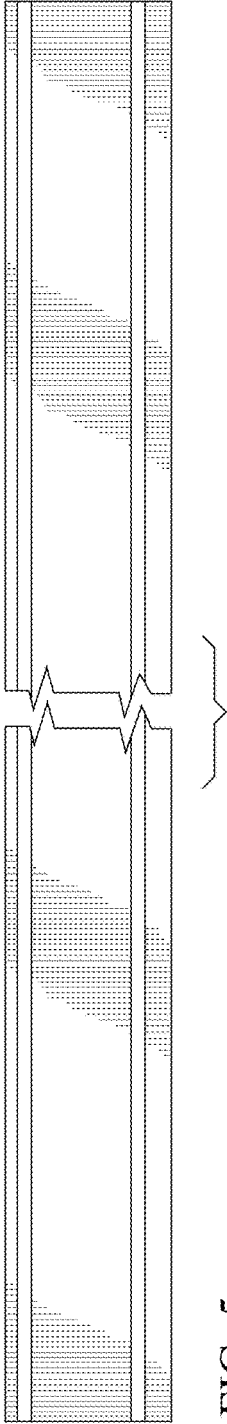


FIG. 5

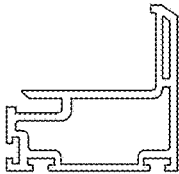


FIG. 6

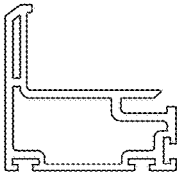


FIG. 7

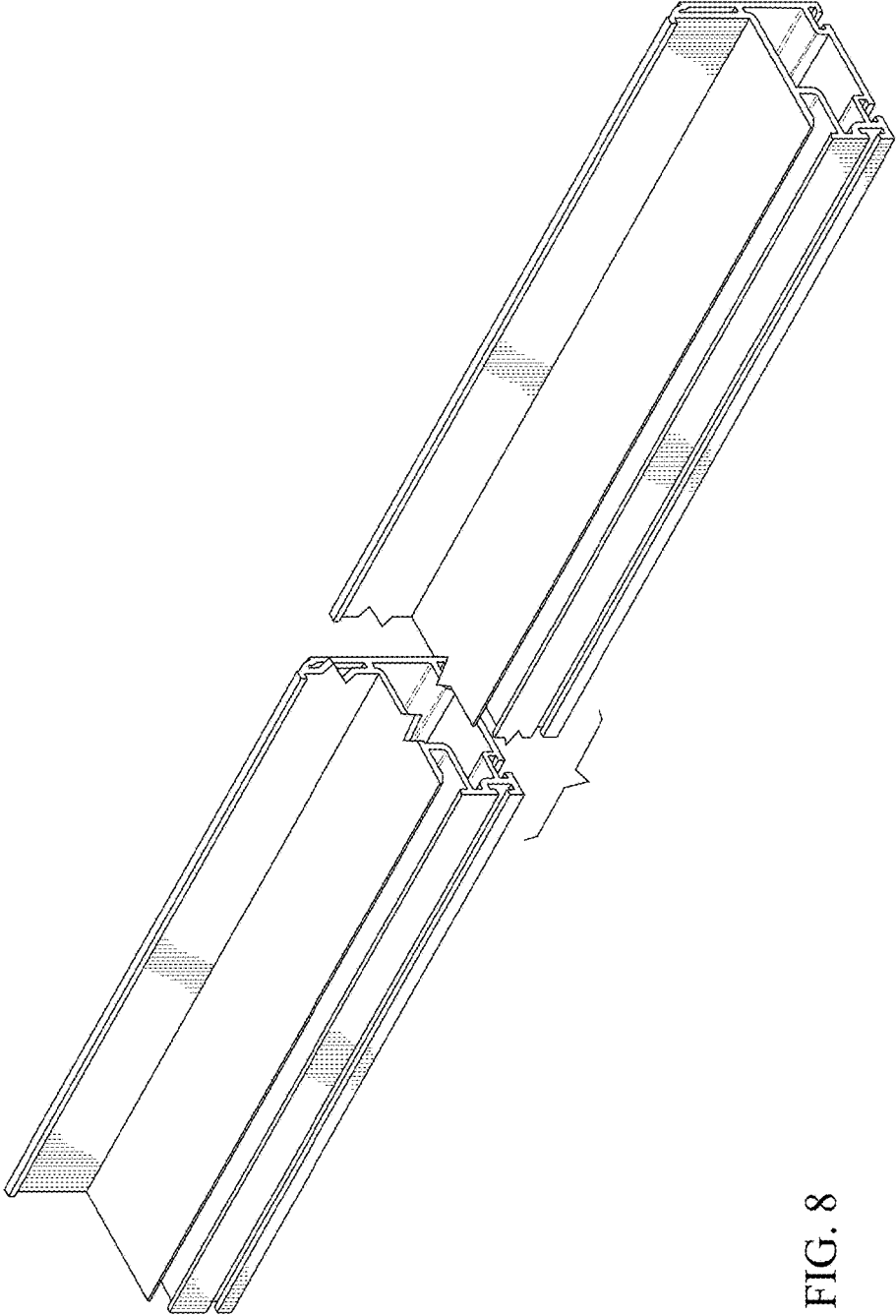


FIG. 8

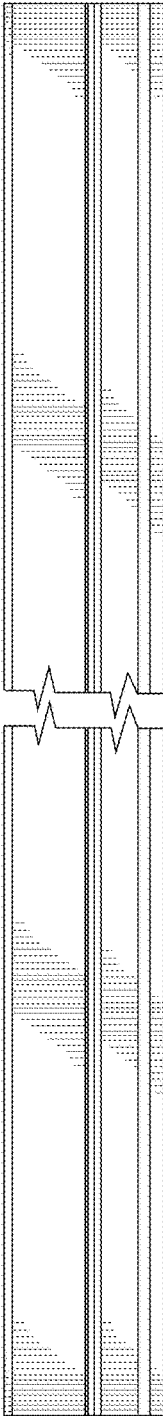


FIG. 9

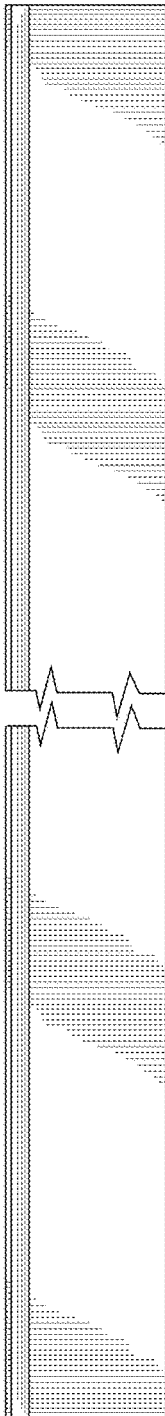


FIG. 10

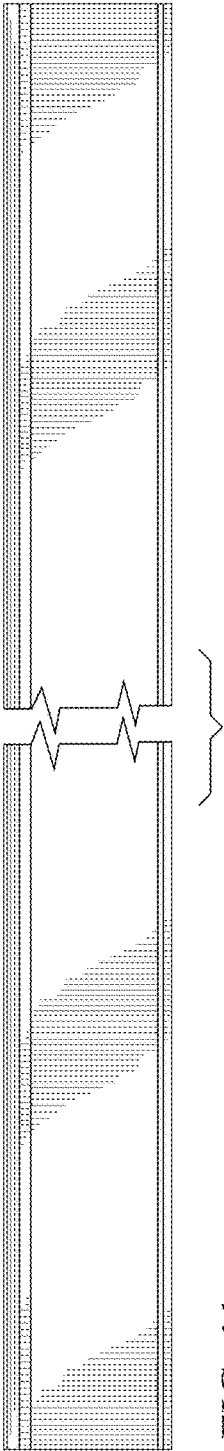


FIG. 11

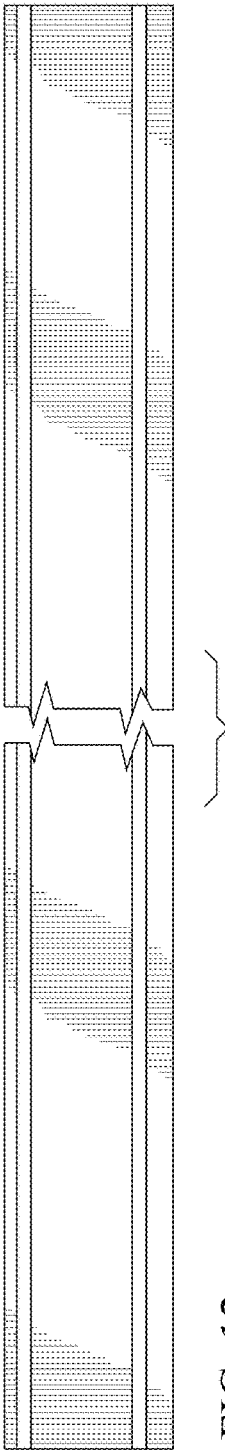


FIG. 12

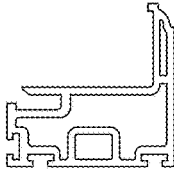


FIG. 13

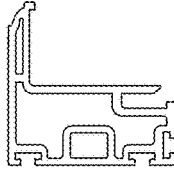


FIG. 14