



US00D340108S

United States Patent [19]

[11] Patent Number: Des. 340,108

Spolar

[45] Date of Patent: ** Oct. 5, 1993

[54] SHOTSHELL RELOADER ACTUATOR

[76] Inventor: Carter A. Spolar, 17376 Filbert, Fontana, Calif. 92335

[**] Term: 14 Years

[21] Appl. No.: 801,835

[22] Filed: Dec. 3, 1991

[52] U.S. Cl. D22/199

[58] Field of Search D22/108, 116, 199; D8/330; D15/7; 254/93; 417/390, 401, 442, 454; 86/19, 30, 43, 45, 27, 23, 28, 31, 33, 36; D34/31

[56] References Cited

U.S. PATENT DOCUMENTS

D. 143.168 12/1945 Rockwell D34/31
D. 247.784 4/1978 Lee D22/199

D. 265,677 8/1982 O'Connell D22/199
D. 271,493 11/1983 McMullen D15/7
4,087,210 5/1978 Suechting 417/401
4,343,222 8/1982 Dillon 86/43 X

Primary Examiner—A. Hugo Word
Assistant Examiner—Doris V. Coles
Attorney, Agent, or Firm—Stetina and Brunda

[57] CLAIM

The ornamental design for the shotgun shell reloader actuator, as shown and described.

DESCRIPTION

FIG. 1 is a front perspective view of the shotgun shell reloader actuator of the present invention showing my new design; FIG. 2 is a rear perspective view thereof; and, FIG. 3 is a front elevational view thereof, the base of the shotgun shell reloader actuator of the present invention being plain and unadorned.

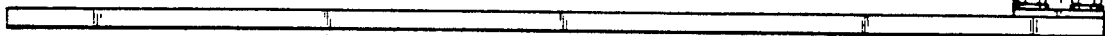
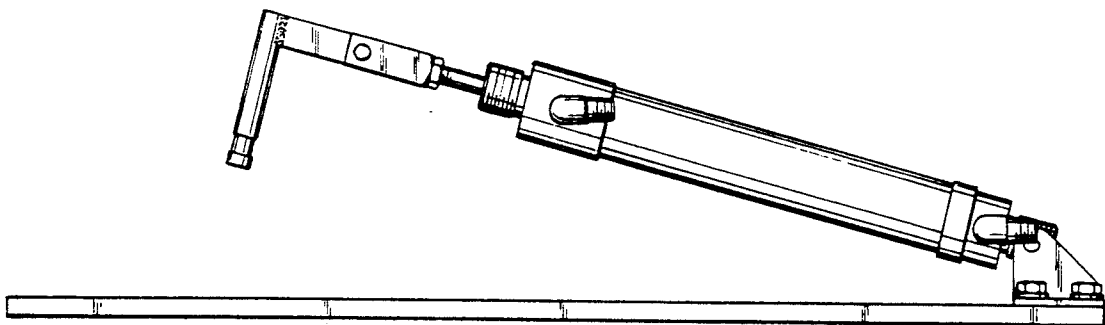
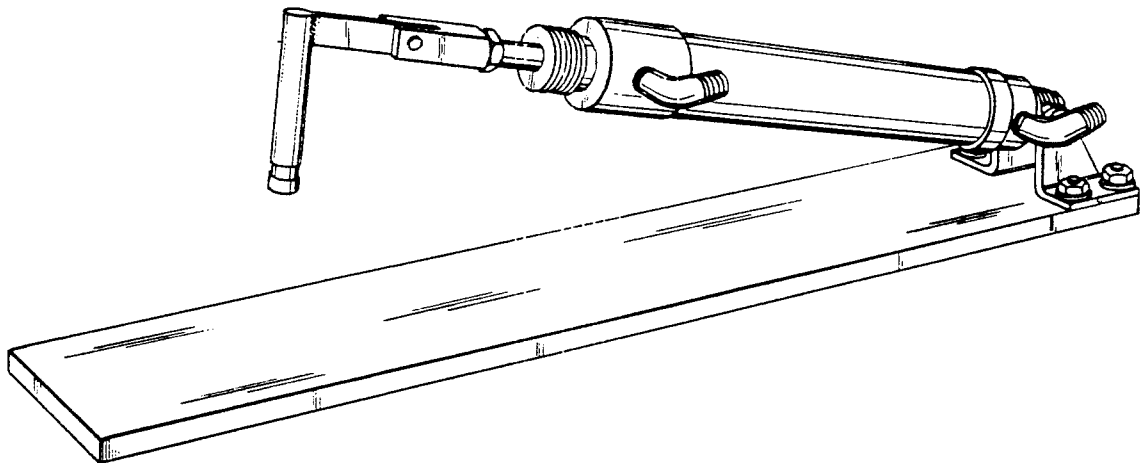


Fig. 1

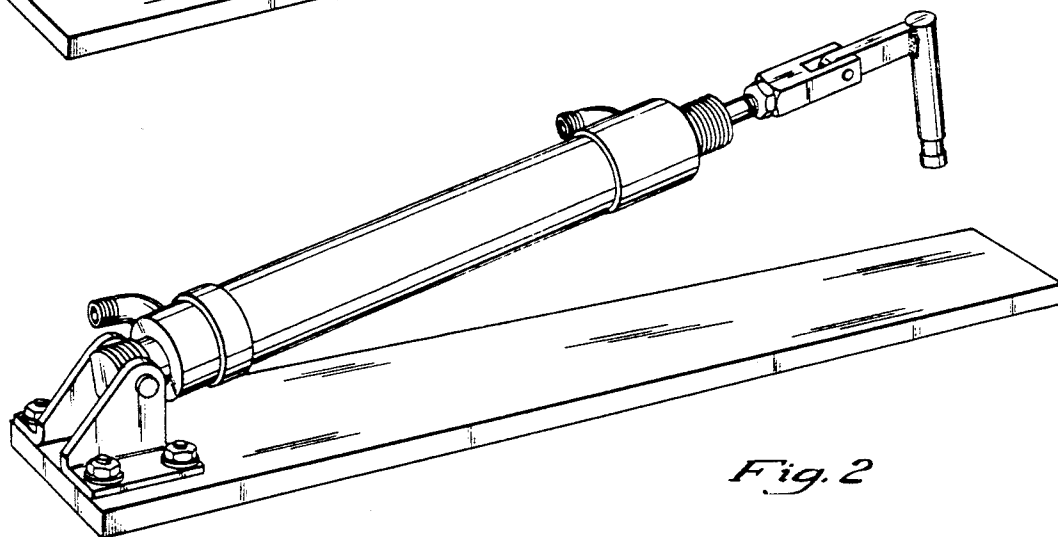
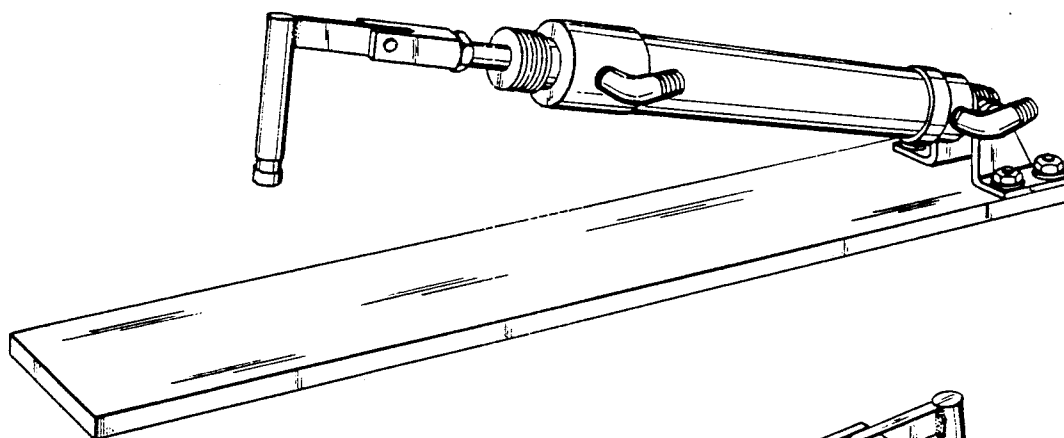


Fig. 2

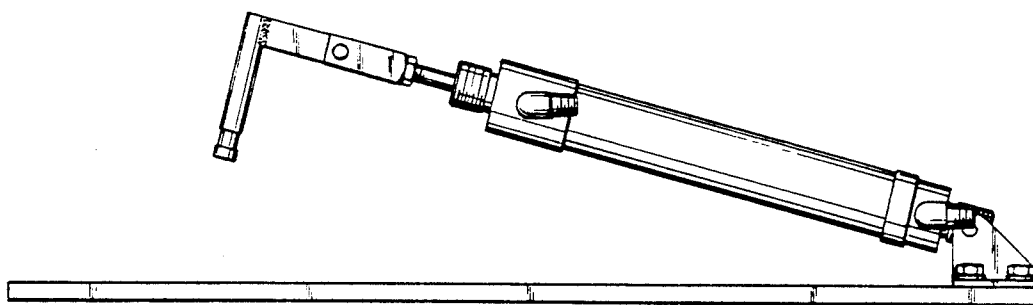


Fig. 3