



(51) International Patent Classification:

A61F 5/02 (2006.01) G06F 19/00 (2011.01)
A61B 5/11 (2006.01) A61F 5/01 (2006.01)
A61B 5/00 (2006.01) A61H 11/00 (2006.01)

(21) International Application Number:

PCT/US2013/044901

(22) International Filing Date:

10 June 2013 (10.06.2013)

(25) Filing Language:

English

(26) Publication Language:

English

(30) Priority Data:

61/662,198 20 June 2012 (20.06.2012) US
13/829,991 14 March 2013 (14.03.2013) US

(71) Applicant: **BIO CYBERNETICS INTERNATIONAL, INC.** [US/US]; 1815 Wright Ave., La Verne, California 91750 (US).

(72) Inventors: **BANNISTER, Ed**; 1815 Wright Avenue, La Verne, California 91750 (US). **MARTIN, Michael L.**; 1815 Wright Avenue, La Verne, California 91750 (US). **CHAN, Sai Chung**; 1815 Wright Avenue, La Verne, California 91750 (US). **WAIDELICH, Matthew V.**; 1815 Wright Avenue, La Verne, California 91750 (US). **GHOSH, Dipankar**; 1815 Wright Avenue, La Verne, California 91750 (US). **LUCERO, Roberto A.**; 1815 Wright Avenue, La Verne, California 91750 (US). **VILLA, Oscar A.**; 1815 Wright Avenue, La Verne, California 91750 (US). **BERGER, John W.**; 1815 Wright Avenue, La Verne, California 91750 (US). **BARNHOUSE, Jeffery**

W.; 1815 Wright Avenue, La Verne, California 91750 (US).

(74) Agent: **FOSTER, L. Grant**; Holland & Hart LLP, P.O. Box 11583, 222 S. Main Street, Suite 2200, Salt Lake City, Utah 84110 (US).

(81) Designated States (unless otherwise indicated, for every kind of national protection available): AE, AG, AL, AM, AO, AT, AU, AZ, BA, BB, BG, BH, BN, BR, BW, BY, BZ, CA, CH, CL, CN, CO, CR, CU, CZ, DE, DK, DM, DO, DZ, EC, EE, EG, ES, FI, GB, GD, GE, GH, GM, GT, HN, HR, HU, ID, IL, IN, IS, JP, KE, KG, KN, KP, KR, KZ, LA, LC, LK, LR, LS, LT, LU, LY, MA, MD, ME, MG, MK, MN, MW, MX, MY, MZ, NA, NG, NI, NO, NZ, OM, PA, PE, PG, PH, PL, PT, QA, RO, RS, RU, RW, SC, SD, SE, SG, SK, SL, SM, ST, SV, SY, TH, TJ, TM, TN, TR, TT, TZ, UA, UG, US, UZ, VC, VN, ZA, ZM, ZW.

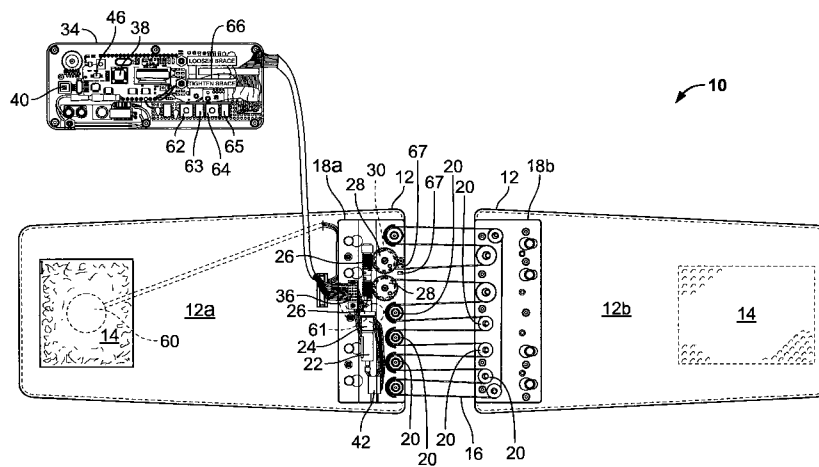
(84) Designated States (unless otherwise indicated, for every kind of regional protection available): ARIPO (BW, GH, GM, KE, LR, LS, MW, MZ, NA, RW, SD, SL, SZ, TZ, UG, ZM, ZW), Eurasian (AM, AZ, BY, KG, KZ, RU, TJ, TM), European (AL, AT, BE, BG, CH, CY, CZ, DE, DK, EE, ES, FI, FR, GB, GR, HR, HU, IE, IS, IT, LT, LU, LV, MC, MK, MT, NL, NO, PL, PT, RO, RS, SE, SI, SK, SM, TR), OAPI (BF, BJ, CF, CG, CI, CM, GA, GN, GQ, GW, KM, ML, MR, NE, SN, TD, TG).

Declarations under Rule 4.17:

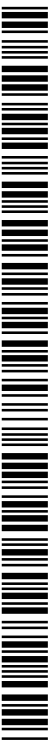
— as to applicant's entitlement to apply for and be granted a patent (Rule 4.17(ii))

[Continued on next page]

(54) Title: AUTOMATED ORTHOTIC DEVICE WITH TREATMENT REGIMEN AND METHOD FOR USING THE SAME



(57) Abstract: An automated orthotic device with a treatment regimen and a method for using an automated orthotic device with a treatment regimen to provide a plurality of prescribed tension settings. The orthotic device may comprise a body brace, a controller, a data storage means, and a communication means to address the problem of patients being required to visit the physician's office every time an adjustment must be made in the prescribed tension setting in their automated orthotic device. In one embodiment, a plurality of prescribed tension settings in the automated orthotic device are sorted so that as the patient's condition improves, the next prescribed tension setting in the treatment regimen may be applied. In another embodiment, the physician is allowed to edit or supplement a patient's treatment regimen remotely by connecting to the automated orthotic device over a network.



WO 2013/191933 A3



— *as to the applicant's entitlement to claim the priority of the earlier application (Rule 4.17(iii))* — *before the expiration of the time limit for amending the claims and to be republished in the event of receipt of amendments (Rule 48.2(h))*

Published:

— *with international search report (Art. 21(3))*

(88) Date of publication of the international search report:
20 February 2014

INTERNATIONAL SEARCH REPORT

International application No PCT/US2013/044901

A. CLASSIFICATION OF SUBJECT MATTER INV. A61F5/02 ADD. A61B5/11 A61B5/00 G06F19/00 A61F5/01 A61H11/00				
According to International Patent Classification (IPC) or to both national classification and IPC				
B. FIELDS SEARCHED				
Minimum documentation searched (classification system followed by classification symbols) A61F A61B G06F A61H				
Documentation searched other than minimum documentation to the extent that such documents are included in the fields searched				
Electronic data base consulted during the international search (name of data base and, where practicable, search terms used) EPO-Internal				
C. DOCUMENTS CONSIDERED TO BE RELEVANT				
Category*	Citation of document, with indication, where appropriate, of the relevant passages	Relevant to claim No.		
X	US 2003/130692 A1 (PORRATA HUMBERTO LUIS [US] ET AL) 10 July 2003 (2003-07-10)	1-5		
Y	paragraphs [0009], [0016] - [0020], [0026] - [0035]; figure 1 -----	3,6,7		
X	WO 02/060311 A2 (GENESIS BIOMEDICAL LTD [AU]; EDWARDS JEFFREY DAVID [AU]; GILMOUR ROBER) 8 August 2002 (2002-08-08)	1-7		
Y	the whole document -----	3-7		
X	US 2011/015708 A1 (LEE STEPHEN D [US] ET AL) 20 January 2011 (2011-01-20)	1-7		
Y	paragraphs [0079] - [0092], [0101]; figures 1A,2A,18B,18C -----	3-7		
----- -/--				
<input checked="" type="checkbox"/> Further documents are listed in the continuation of Box C. <input checked="" type="checkbox"/> See patent family annex.				
* Special categories of cited documents : <table style="width: 100%; border: none;"> <tr> <td style="width: 50%; border: none; vertical-align: top;"> "A" document defining the general state of the art which is not considered to be of particular relevance "E" earlier application or patent but published on or after the international filing date "L" document which may throw doubts on priority claim(s) or which is cited to establish the publication date of another citation or other special reason (as specified) "O" document referring to an oral disclosure, use, exhibition or other means "P" document published prior to the international filing date but later than the priority date claimed </td> <td style="width: 50%; border: none; vertical-align: top;"> "T" later document published after the international filing date or priority date and not in conflict with the application but cited to understand the principle or theory underlying the invention "X" document of particular relevance; the claimed invention cannot be considered novel or cannot be considered to involve an inventive step when the document is taken alone "Y" document of particular relevance; the claimed invention cannot be considered to involve an inventive step when the document is combined with one or more other such documents, such combination being obvious to a person skilled in the art "&" document member of the same patent family </td> </tr> </table>			"A" document defining the general state of the art which is not considered to be of particular relevance "E" earlier application or patent but published on or after the international filing date "L" document which may throw doubts on priority claim(s) or which is cited to establish the publication date of another citation or other special reason (as specified) "O" document referring to an oral disclosure, use, exhibition or other means "P" document published prior to the international filing date but later than the priority date claimed	"T" later document published after the international filing date or priority date and not in conflict with the application but cited to understand the principle or theory underlying the invention "X" document of particular relevance; the claimed invention cannot be considered novel or cannot be considered to involve an inventive step when the document is taken alone "Y" document of particular relevance; the claimed invention cannot be considered to involve an inventive step when the document is combined with one or more other such documents, such combination being obvious to a person skilled in the art "&" document member of the same patent family
"A" document defining the general state of the art which is not considered to be of particular relevance "E" earlier application or patent but published on or after the international filing date "L" document which may throw doubts on priority claim(s) or which is cited to establish the publication date of another citation or other special reason (as specified) "O" document referring to an oral disclosure, use, exhibition or other means "P" document published prior to the international filing date but later than the priority date claimed	"T" later document published after the international filing date or priority date and not in conflict with the application but cited to understand the principle or theory underlying the invention "X" document of particular relevance; the claimed invention cannot be considered novel or cannot be considered to involve an inventive step when the document is taken alone "Y" document of particular relevance; the claimed invention cannot be considered to involve an inventive step when the document is combined with one or more other such documents, such combination being obvious to a person skilled in the art "&" document member of the same patent family			
Date of the actual completion of the international search	Date of mailing of the international search report			
18 December 2013	08/01/2014			
Name and mailing address of the ISA/ European Patent Office, P.B. 5818 Patentlaan 2 NL - 2280 HV Rijswijk Tel. (+31-70) 340-2040, Fax: (+31-70) 340-3016	Authorized officer Dennler, Samuel			

INTERNATIONAL SEARCH REPORT

International application No.
PCT/US2013/044901

Box No. II Observations where certain claims were found unsearchable (Continuation of item 2 of first sheet)

This international search report has not been established in respect of certain claims under Article 17(2)(a) for the following reasons:

1. Claims Nos.: 10-17
because they relate to subject matter not required to be searched by this Authority, namely:
Rule 39.1(iv) PCT - Method for treatment of the human or animal body by therapy
2. Claims Nos.:
because they relate to parts of the international application that do not comply with the prescribed requirements to such an extent that no meaningful international search can be carried out, specifically:
3. Claims Nos.:
because they are dependent claims and are not drafted in accordance with the second and third sentences of Rule 6.4(a).

Box No. III Observations where unity of invention is lacking (Continuation of item 3 of first sheet)

This International Searching Authority found multiple inventions in this international application, as follows:

see additional sheet

1. As all required additional search fees were timely paid by the applicant, this international search report covers all searchable claims.
2. As all searchable claims could be searched without effort justifying an additional fees, this Authority did not invite payment of additional fees.
3. As only some of the required additional search fees were timely paid by the applicant, this international search report covers only those claims for which fees were paid, specifically claims Nos.:
4. No required additional search fees were timely paid by the applicant. Consequently, this international search report is restricted to the invention first mentioned in the claims; it is covered by claims Nos.:

Remark on Protest

- The additional search fees were accompanied by the applicant's protest and, where applicable, the payment of a protest fee.
- The additional search fees were accompanied by the applicant's protest but the applicable protest fee was not paid within the time limit specified in the invitation.
- No protest accompanied the payment of additional search fees.

INTERNATIONAL SEARCH REPORT

International application No
PCT/US2013/044901

C(Continuation). DOCUMENTS CONSIDERED TO BE RELEVANT		
Category*	Citation of document, with indication, where appropriate, of the relevant passages	Relevant to claim No.
X	US 2007/155588 A1 (STARK JOHN G [US] ET AL) 5 July 2007 (2007-07-05)	1-7
Y	paragraphs [0267] - [0274], [0293]; figures 1,42	3-7

X	US 2005/245853 A1 (SCORVO SEAN K [US]) 3 November 2005 (2005-11-03)	1,2,8,9
Y	paragraphs [0037] - [0066]; figure 3	3-7

Y	US 2002/013516 A1 (FREYRE CARLOS V [US] ET AL) 31 January 2002 (2002-01-31)	4-7
	paragraphs [0013] - [0018]	

X	US 2005/043660 A1 (STARK JOHN G [US] ET AL) 24 February 2005 (2005-02-24)	1,2,4-9
Y	paragraphs [0014] - [0015], [0048] - [0119]; figures 1-12	3,6,7

X	US 2012/078145 A1 (MALHI ARNAZ S [US] ET AL) 29 March 2012 (2012-03-29)	1,2,8,9
	paragraphs [0026] - [0032]; figure 1	

X	US 2010/331750 A1 (INGIMUNDARSON ARNI THOR [US]) 30 December 2010 (2010-12-30)	1,8,9
	paragraphs [0348] - [0351]	

A	US 5 346 461 A (HEINZ THOMAS J [US] ET AL) 13 September 1994 (1994-09-13)	1-9
	the whole document	

INTERNATIONAL SEARCH REPORT

Information on patent family members

International application No PCT/US2013/044901

Patent document cited in search report	Publication date	Patent family member(s)	Publication date
US 2003130692 A1	10-07-2003	EP 1469802 A1 US 2003130692 A1 WO 03017885 A1	27-10-2004 10-07-2003 06-03-2003

WO 02060311 A2	08-08-2002	NONE	

US 2011015708 A1	20-01-2011	AU 2010356325 A1 CA 2804198 A1 CN 103096861 A US 2011015708 A1 WO 2012002929 A1	17-01-2013 05-01-2012 08-05-2013 20-01-2011 05-01-2012

US 2007155588 A1	05-07-2007	CA 2342357 A1 CN 1324260 A EP 1109602 A2 JP 2002523182 A US 6872187 B1 US 2005101887 A1 US 2007155588 A1 WO 0012041 A2	09-03-2000 28-11-2001 27-06-2001 30-07-2002 29-03-2005 12-05-2005 05-07-2007 09-03-2000

US 2005245853 A1	03-11-2005	AU 2003225075 A1 US 2003212356 A1 US 2005245853 A1 WO 03088865 A2	03-11-2003 13-11-2003 03-11-2005 30-10-2003

US 2002013516 A1	31-01-2002	AU 5345101 A CN 1433281 A EP 1284641 A2 JP 2003533260 A KR 20030019383 A US 2002013516 A1 WO 0187150 A2	26-11-2001 30-07-2003 26-02-2003 11-11-2003 06-03-2003 31-01-2002 22-11-2001

US 2005043660 A1	24-02-2005	NONE	

US 2012078145 A1	29-03-2012	AU 2011221374 A1 CA 2751347 A1 CN 102440895 A EP 2444041 A1 JP 5272181 B2 JP 2012071133 A JP 2013128788 A KR 20120033275 A KR 20130089220 A US 2012078145 A1	12-04-2012 29-03-2012 09-05-2012 25-04-2012 28-08-2013 12-04-2012 04-07-2013 06-04-2012 09-08-2013 29-03-2012

US 2010331750 A1	30-12-2010	NONE	

US 5346461 A	13-09-1994	AT 196074 T AU 5407894 A CA 2161235 A1 DE 69329394 D1 DE 69329394 T2 DK 0732905 T3 EP 0732905 A1 ES 2151907 T3 US RE35940 E	15-09-2000 24-05-1994 11-05-1994 12-10-2000 08-03-2001 11-12-2000 25-09-1996 16-01-2001 27-10-1998

INTERNATIONAL SEARCH REPORT

Information on patent family members

International application No

PCT/US2013/044901

Patent document cited in search report	Publication date	Patent family member(s)	Publication date
		US 5346461 A	13-09-1994
		US 5437617 A	01-08-1995
		WO 9409728 A1	11-05-1994

FURTHER INFORMATION CONTINUED FROM PCT/ISA/ 210

This International Searching Authority found multiple (groups of) inventions in this international application, as follows:

1. claims: 1-7

An automated orthotic device with a treatment regimen, further comprising, as a special technical feature, a network connection means allowing the controller to receive data from a network and transmit data to a network, solving the technical problem of allowing a revised treatment regimen program to be remotely transferred to the orthotic device by the physician, without the patient being required to return to the physician's office;

2. claims: 8, 9

An automated orthotic device with a treatment regimen, further comprising, as a special technical feature, a user position detection means, solving the technical problem of allowing to adjust the tension settings applied by the brace in accordance with the user's current position, without the need for the user to manually adjust the settings.
