



US00D974530S

(12) **United States Design Patent**
Ye

(10) **Patent No.:** **US D974,530 S**

(45) **Date of Patent:** **** Jan. 3, 2023**

(54) **SHOWER HEAD**

D912,779 S * 3/2021 Tanghetti E03C 1/04
D23/238

(71) Applicant: **Saihua Ye**, Zhejiang Province (CN)

D925,017 S * 7/2021 Liu D23/304
2020/0291626 A1* 9/2020 Wu E03C 1/0408

(72) Inventor: **Saihua Ye**, Zhejiang Province (CN)

FOREIGN PATENT DOCUMENTS

(**) Term: **15 Years**

CN 304784456 * 8/2018

(21) Appl. No.: **29/773,691**

OTHER PUBLICATIONS

(22) Filed: **Mar. 11, 2021**

Delta Faucet U4985-BL-PK UniversalShoweringComponents, first available Mar. 1, 2017[online], [site visited Aug. 8, 2022]. Available from internet, URL:<https://www.amazon.com/Delta-Faucet-U4985-BL-PK-UniversalShoweringComponents-Adjustable/dp/B06XCBS1H> (Year: 2017).*

(30) **Foreign Application Priority Data**

Sep. 18, 2020 (CN) 202030556976.3

(51) **LOC (14) Cl.** **23-01**

(52) **U.S. Cl.**

USPC **D23/239**

(58) **Field of Classification Search**

USPC D23/238-244, 252, 254-255, 257, 499;
D7/398

CPC F16K 31/602; F16K 31/605; F16K 31/607;
E03C 1/0412

See application file for complete search history.

* cited by examiner

Primary Examiner — David G Muller

Assistant Examiner — Jamaal Rasheed

(57)

CLAIM

The ornamental design for a shower head, as shown and described.

DESCRIPTION

FIG. 1 is a perspective view of a shower head showing my new design;

FIG. 2 is a front elevational view thereof;

FIG. 3 is a top plan view thereof;

FIG. 4 is a left side elevational view thereof;

FIG. 5 is a rear elevational view thereof;

FIG. 6 is a right side view thereof; and,

FIG. 7 is a bottom plan view thereof.

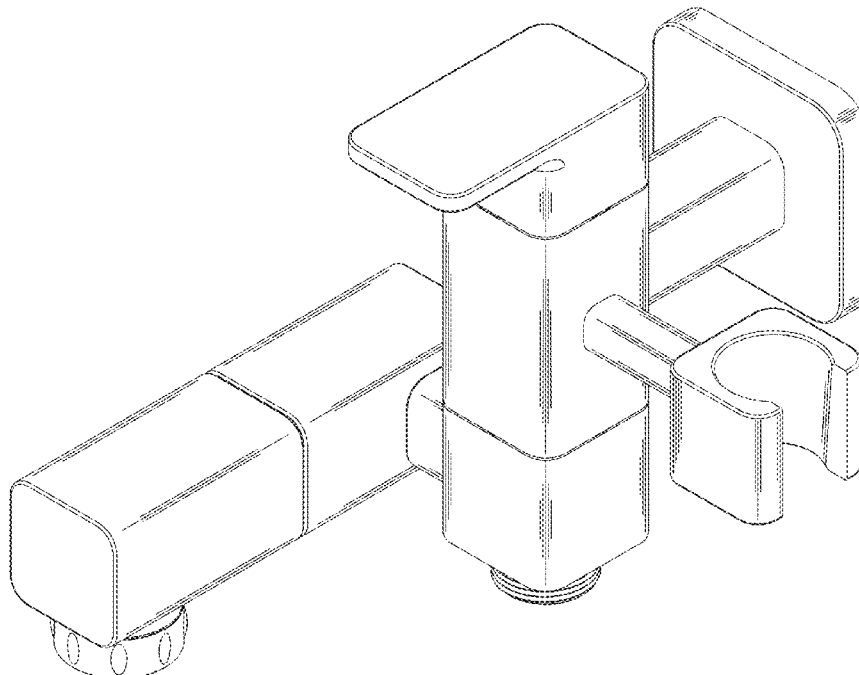
The broken lines illustrate portions of the shower head that form no part of the claimed design.

1 Claim, 7 Drawing Sheets

(56) **References Cited**

U.S. PATENT DOCUMENTS

D228,622 S *	10/1973	Jublin	D8/373
D341,191 S *	11/1993	Klose	D6/524
D419,227 S *	1/2000	Ben-Tsur	D23/304
D512,125 S *	11/2005	Kulig	D23/238
D565,711 S *	4/2008	Giggs	D23/304
D587,357 S *	2/2009	Hoernig	D23/304
D667,084 S *	9/2012	Berger	D23/238
D695,880 S *	12/2013	Schoenherr	D23/304
D832,412 S *	10/2018	Nikles	D23/304



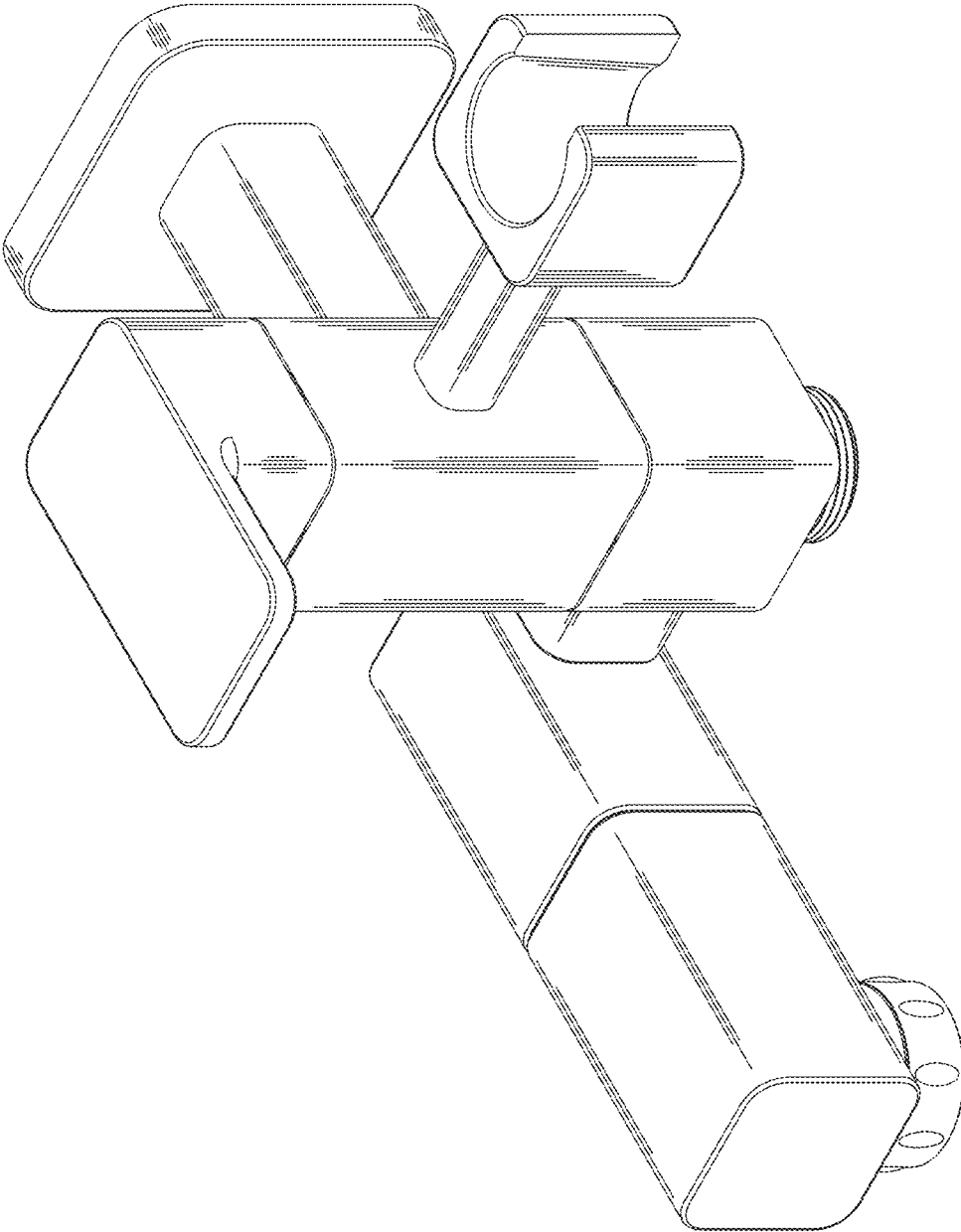


FIG. 1

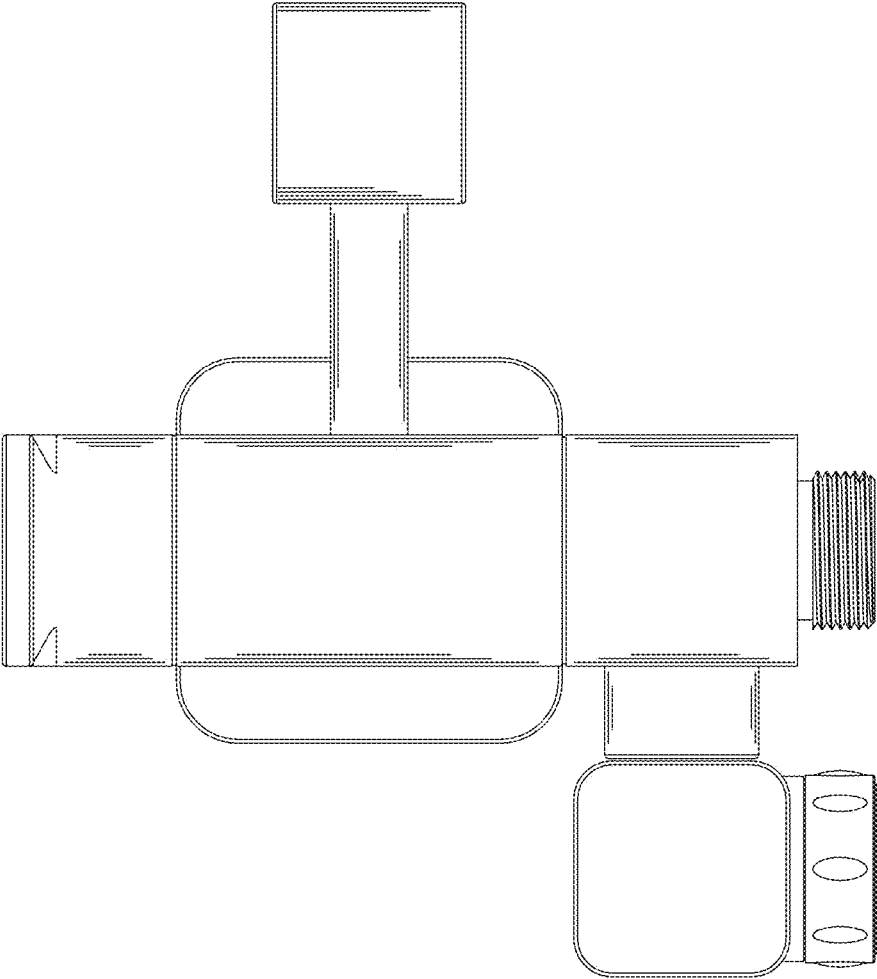


FIG. 2

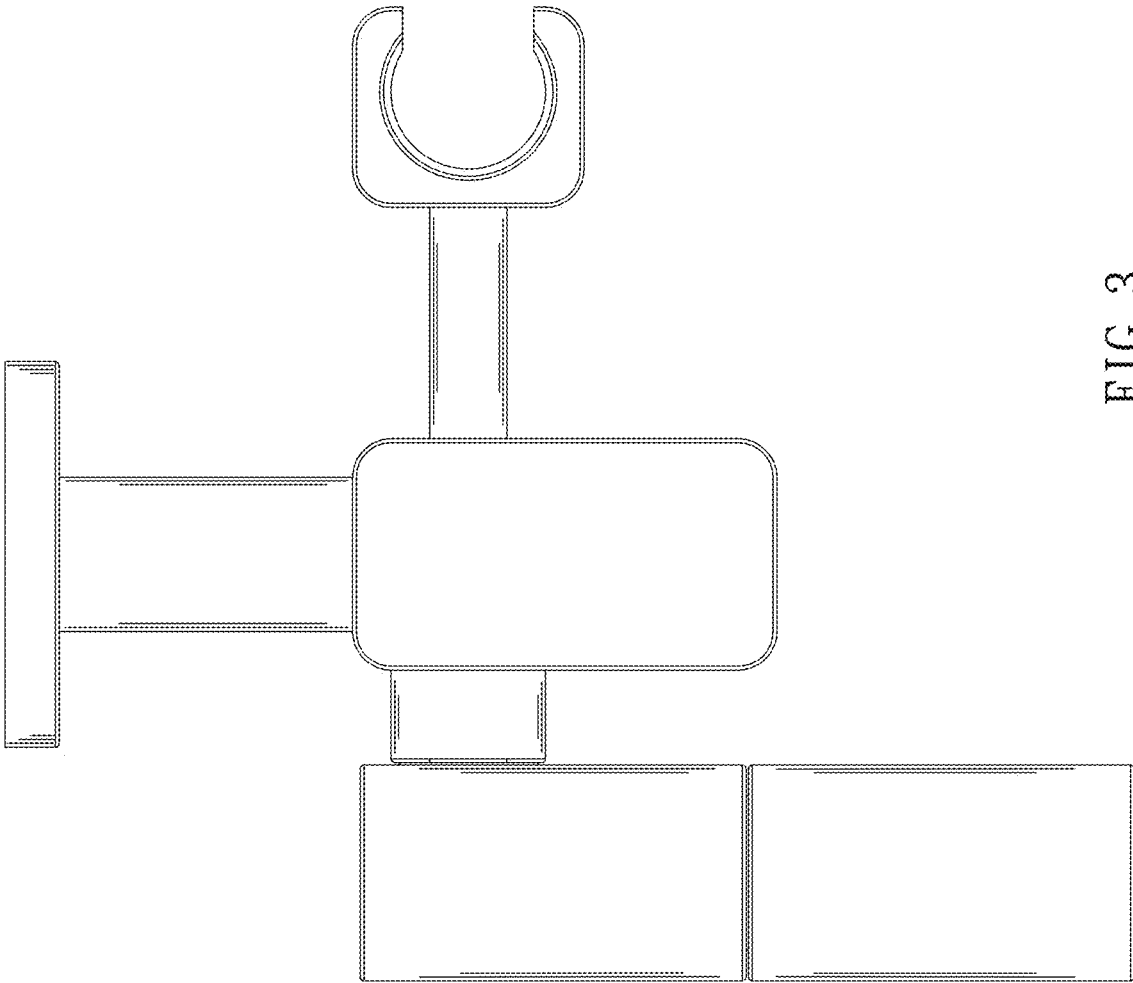


FIG. 3

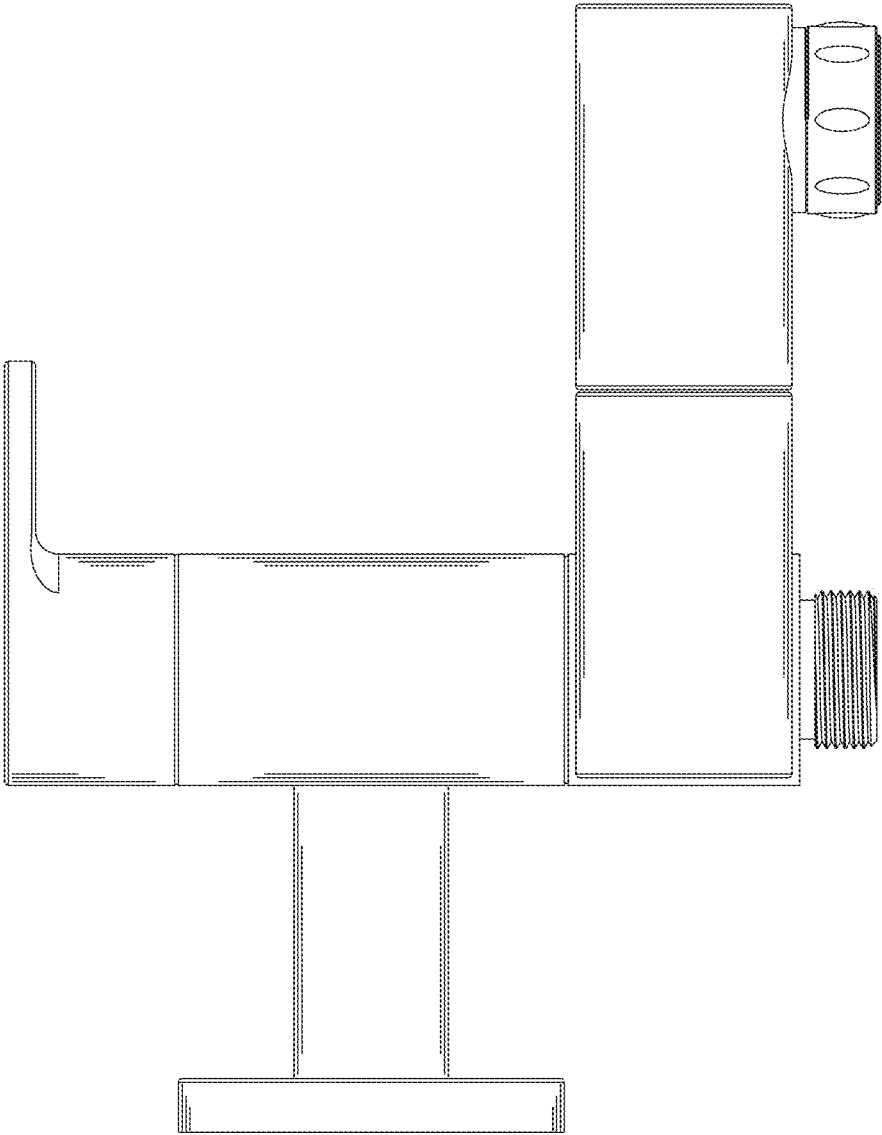


FIG. 4

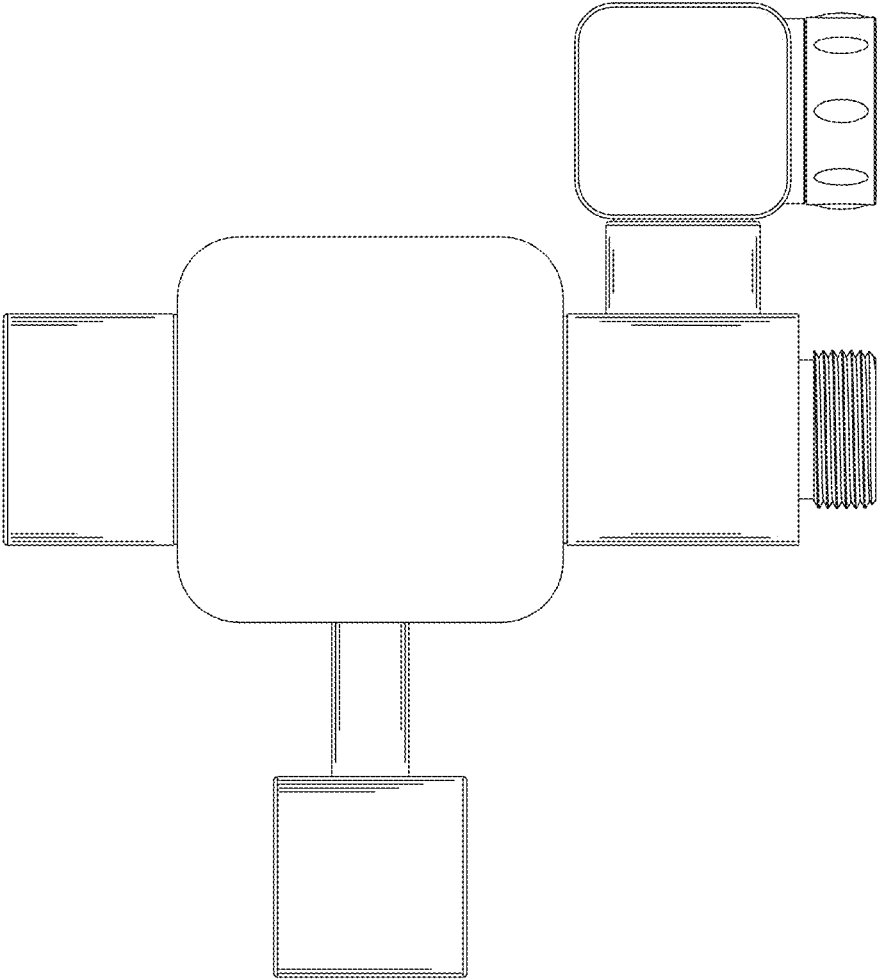


FIG. 5

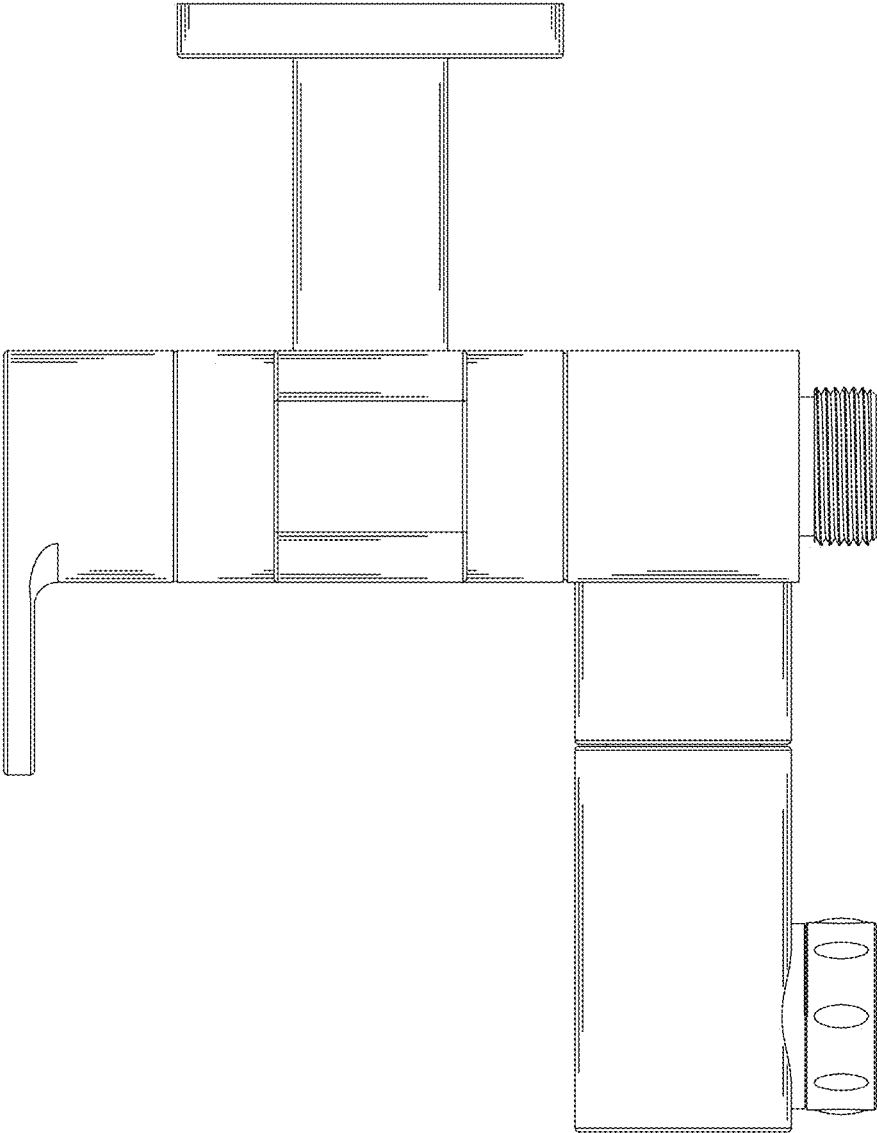


FIG. 6

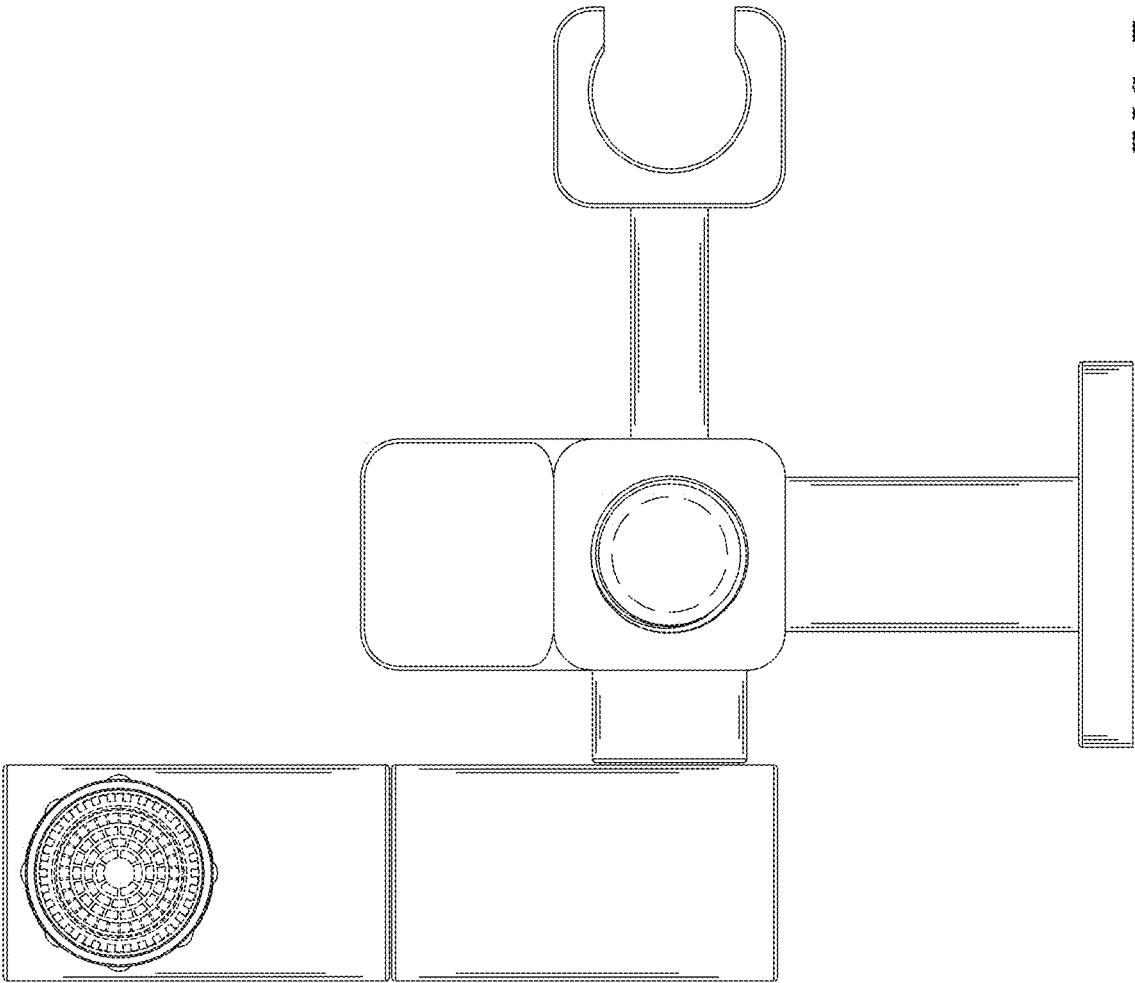


FIG. 7