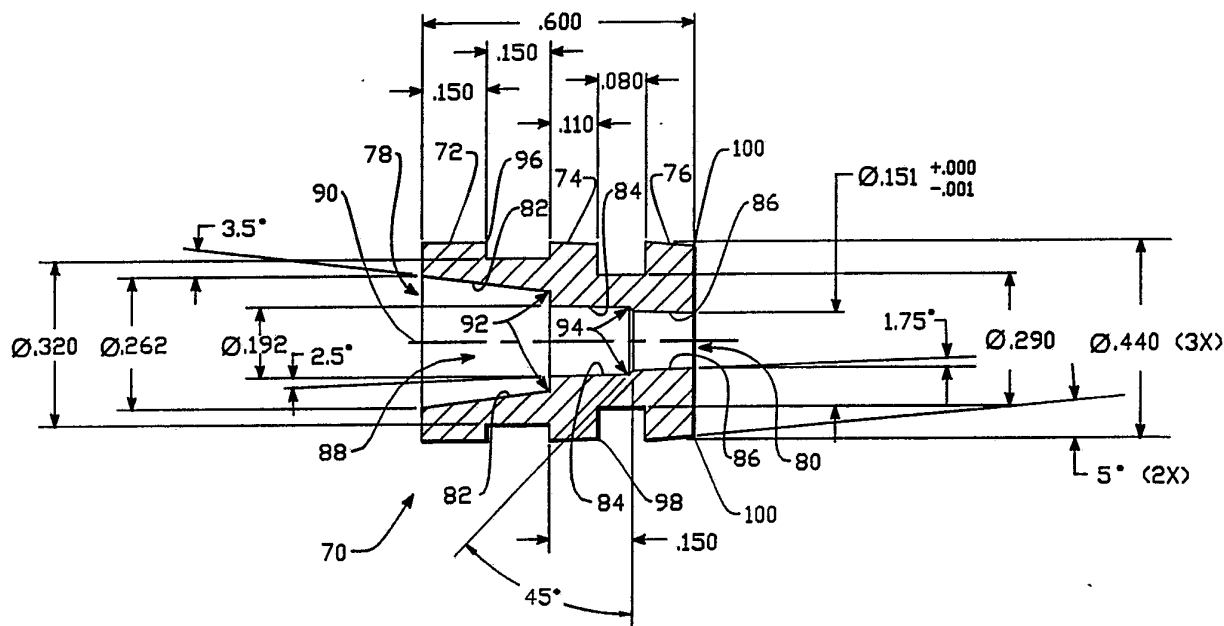




INTERNATIONAL APPLICATION PUBLISHED UNDER THE PATENT COOPERATION TREATY (PCT)

<p>(51) International Patent Classification ⁵ : A61M 39/00</p>	<p>A1</p>	<p>(11) International Publication Number: WO 91/09643 (43) International Publication Date: 11 July 1991 (11.07.91)</p>
<p>(21) International Application Number: PCT/US90/07363 (22) International Filing Date: 21 December 1990 (21.12.90) (30) Priority data: 453,308 21 December 1989 (21.12.89) US (71) Applicant: MEDICAL INNOVATIONS CORPORATION [US/US]; 1595 McCandless Drive, Milpitas, CA 95035 (US). (72) Inventors: PARKS, Stephen, K. ; 451 St. Francis, Redwood City, CA 94062 (US). FISHMAN, Udi ; 3419 Ruby Court, San Jose, CA 95148 (US). DECARIA, Christine ; 99 East Portola Avenue, Los Altos, CA 94022 (US).</p>		<p>(74) Agents: DURANT, Stephen, C. et al.; Four Embarcadero Center, Suite 3400, San Francisco, CA 94111-4187 (US). (81) Designated States: AT (European patent), BE (European patent), CA, CH (European patent), DE (European patent), DK (European patent), ES (European patent), FR (European patent), GB (European patent), GR (European patent), IT (European patent), JP, LU (European patent), NL (European patent), SE (European patent). Published <i>With international search report.</i> <i>Before the expiration of the time limit for amending the claims and to be republished in the event of the receipt of amendments.</i></p>

(54) Title: FERRULE AND ENTERAL TUBE INCORPORATING A FERRULE



(57) Abstract

A ferrule is provided which comprises an inner wall defining a conduit extending between an inlet opening (78) and an outlet opening (80); a first taper lock surface is defined by a first region (82) of the inner wall for forming a taper lock with a first connector portion having first dimensions; and second taper lock surface is defined by a second region (84) of the inner wall for forming a taper lock with a second connector portion having second dimensions.

FOR THE PURPOSES OF INFORMATION ONLY

Codes used to identify States party to the PCT on the front pages of pamphlets publishing international applications under the PCT.

AT	Austria	ES	Spain	MG	Madagascar
AU	Australia	FI	Finland	ML	Mali
BB	Barbados	FR	France	MN	Mongolia
BE	Belgium	GA	Gabon	MR	Mauritania
BF	Burkina Faso	GB	United Kingdom	MW	Malawi
BG	Bulgaria	GN	Guinea	NL	Netherlands
BJ	Benin	GR	Greece	NO	Norway
BR	Brazil	HU	Hungary	PL	Poland
CA	Canada	IT	Italy	RO	Romania
CF	Central African Republic	JP	Japan	SD	Sudan
CG	Congo	KP	Democratic People's Republic of Korea	SE	Sweden
CH	Switzerland	KR	Republic of Korea	SN	Senegal
CI	Côte d'Ivoire	LI	Liechtenstein	SU	Soviet Union
CM	Cameroon	LK	Sri Lanka	TD	Chad
CS	Czechoslovakia	LU	Luxembourg	TG	Togo
DE	Germany	MC	Monaco	US	United States of America
DK	Denmark				

FERRULE AND ENTERAL TUBE INCORPORATING A FERRULE

BACKGROUND OF THE INVENTION1. Field of the Invention

The invention relates generally to enteral tubes and more particularly to mechanical connections between enteral tubes and feeding sets containing food or medication.

2. Description of the Related Art

Enteral tubes for providing food and medication to a patient are well known. For example, U.S. Patent No. 4,666,433, entitled Gastrostomy Feeding Device, invented by Parks and issued May 19, 1987; and U.S. Patent No. 4,701,163, entitled Gastrostomy Feeding Device, invented by Parks and issued October 20, 1987; and U.S. Patent No. 4,798,592, entitled Gastrostomy Feeding Device, invented by Parks and issued January 17, 1989; and U.S. Patent No. 4,685,901, entitled Gastro-Jejunal Feeding Device, invented by Parks and issued August 11, 1987 disclose earlier feeding tubes.

Referring to the illustrative drawing of Figure 1A, there is shown a perspective view of an earlier enteral feeding device 20. The device 20 includes an elongated tubular member 51 formed from a stretchable elastomeric material such as silicone. Figure 1B is

-2-

an illustrative cross-sectional view of the tubular member 51 of the earlier device. The member 51 defines a jejunal tube 22, a gastrostomy tube 34 and a fluid line 46.

5 The jejunal feeding tube 22 includes an outlet end portion 24 which can extend through a patient's stomach into the jejunum. The jejunal tube outlet end portion includes perforations 26 which permit liquid food or medication to pass therethrough. The
10 tube 22 is integrally connected to a jejunal tube inlet end portion 28 which defines a jejunal inlet port 30 having a removable plug cover 32.

The gastrostomy tube 34 is shorter than the jejunal tube 22 and includes a plurality of drainage inlets
15 or food outlet ports such as inlet/outlet 36. A gastrostomy tube end portion 37 defines a gastrostomy inlet port 38 having a plug cover 40.

An inflatable balloon 42 is provided near the end of the gastrostomy tube 34 and is inflatable through a
20 valve 44. The valve 44 is used to supply fluid to the balloon 42 through the fluid line 46.

Frictional contact between the elongated tubular member 51 and a locking ring 56 is sufficiently great to prevent the member 51 from moving further into the
25 stomach. The locking ring 56 to remains in contact with a patient's abdominal wall during use. However, the frictional contact also is sufficiently low to permit adjustment of placement of the member 51 relative to a patient's abdomen.

30 Referring to the illustrative drawings of Figure 2, there is shown a perspective view of an earlier device 20 in use. The inflated balloon 42 forms a

-3-

gasket that seals the entrance to the stomach, and together with the locking ring 56, secures the device 20 in place.

5 While prior feeding tubes generally have been acceptable, there have been shortcomings with their use. In particular, for example, in order to provide food or medication to the jejunal inlet port 30 of device 20, a connector, such as a first connector 58 illustrated in Figure 3 or a second connector 60
10 illustrated in Figure 4, is inserted through the jejunal inlet port 30. The inserted connector 58 or 60 is mechanically coupled to the jejunal inlet port 30 and serves as a conduit between the jejunal tube 22 and an external feeding tube 62 or 64, shown in
15 Figures 3 and 4. The external tube 62 or 64 is connected to a source of food such as a feeding bag (not shown).

In practice, connectors 58 or 60 such as those shown in Figures 3 and 4, for example, may be inserted into
20 and removed from the jejunal inlet port 30 or the gastrostomy inlet port 38 numerous times during the course of use of the device 20 which can be installed in a patient's stomach for extended periods of time. As mentioned above, the member 51 which defines the
25 jejunal tube inlet end 28, and the gastrostomy tube end portion 37 can be formed from a stretchable elastomeric material such as silicone. In order to produce an adequate mechanical coupling between the connector 58 or 60 and either the jejunal inlet port
30 30 or the gastrostomy inlet port 38, the connector is forced into place so as to produce a frictional engagement. Repeated insertions and removals of such connectors 58 or 60 can cause the jejunal inlet port
35 30 or the gastrostomy inlet port 38 to become somewhat stretched and deformed over time.

Unfortunately, as the jejunal and gastrostomy inlet ports 30, 38 become more and more stretched in this manner, the tendency of a medical attendant responsible for coupling such a connector to the inlet ports 30,38 often is to more forcibly push the connector into the jejunal or gastrostomy ports 30 or 38 resulting in still further stretching. Moreover, more force often must be exerted to dislodge a connector after such a forced insertion. Additionally, as the interior of the inlet ports 30, 38 becomes soiled with food oils, for example, an attendant may attempt to push a connector into the port even more forcibly in order to compensate for the slipperiness of such oils, causing further deformation of the port opening.

The problem of achieving a tight fit between a jejunal or gastrostomy inlet port 30 or 38 and such connectors 58 or 60, for example, has been exacerbated by the fact that in the past, such connectors often have been available in a variety of shapes and sizes. This variety will be apparent from the illustrative drawings of Figures 3 and 4 in which the first and second connectors 58, 60 have quite different shapes. Consequently, in the past it often has been desirable to construct jejunal or gastrostomy inlet ports, that can accommodate any of a variety of such differently shaped connectors. Unfortunately, such earlier inlet ports often could not readily accommodate such a variety of differently shaped connectors without the need to forcibly insert or forcibly remove the connectors.

Thus, there has been a need for a device to permit any of a variety of different shapes and sizes of connectors to be inserted into or removed from an

inlet port of a feeding tube without the need to use excessive force and substantially without deforming the feeding tube inlet port. The present invention meets these needs.

5

SUMMARY OF THE INVENTION

In one aspect, the invention provides a ferrule for use with a feeding tube formed from a flexible material. The ferrule includes an inner wall defining a conduit extending between an inlet opening and an outlet opening. A first taper-lock surface is defined by a first region of the inner wall, and a second taper-lock surface is defined by a second region of the inner wall.

In another aspect, the invention provides a feeding device. The feeding device includes an elongated tube formed from a flexible material. An inlet end portion formed from the flexible material is integrally connected to the elongated tube. The inlet end portion defines an inlet port opening. A ferrule is disposed within the inlet end portion. The ferrule includes an inner wall defining a conduit extending between an inlet opening and an outlet opening. A first taper-lock surface is defined by a first region of the inner wall, and a second taper-lock surface is defined by a second region of the inner wall.

Thus, the present invention provides a ferrule and feeding device that can readily form a taper lock with connectors without the use of excessive force. Conversely, connectors can be readily removed from such a ferrule or feeding device without the use of excessive force. Consequently, a feeding tube is not as likely to be stretched out of shape through repeated insertions and removals of such connectors.

These and other features and advantages of the present invention will become more apparent from the following description of exemplary embodiments thereof, as illustrated in the accompanying drawings.

5 BRIEF DESCRIPTION OF THE DRAWINGS

The purpose and advantages of the present invention will be apparent to those skilled in the art from the following detailed description in conjunction with the appended drawings in which:

10 Figure 1A is a perspective view of an earlier feeding tube;

Figure 1B is a cross-sectional view along line 1-1 of Figure 1A illustrating the disposition of the jejunal and gastrostomy tubes and the connecting line;

15 Figure 2 is a perspective partially cutaway view of an earlier feeding tube installed in a patient;

Figures 3 and 4 are side elevation views of earlier connectors for insertion into end portions of a feeding tube;

20 Figure 5 is a perspective view of a ferrule in accordance with the present invention;

Figures 6A and 6B are top and bottom elevation views of the ferrule of Figure 5;

25 Figure 7 is a cross-sectional side elevation view of the ferrule of Figure 5;

Figure 8 is a cross-sectional side elevation view of the ferrule of Figure 5 incorporated into an end

portion of a feeding tube;

Figure 9 is an alternative embodiment of a ferrule in accordance with the invention;

5 Figure 10 is a cross-sectional side elevation view of the ferrule of Figure 9 incorporated into a feeding tube.

Figure 11 is a cross-sectional side elevation view of a first branched ferrule in accordance with the invention;

10 Figure 12 is a cross-sectional side elevation view of a second branched ferrule in accordance with the invention; and

Figure 13 is a cross-section side elevation view of a ferrule in accordance with the invention.

15 DETAILED DESCRIPTION OF THE PREFERRED EMBODIMENTS

The present invention comprises a novel ferrule and a related enteral feeding device incorporating a ferrule. The following description is presented to enable any person skilled in the art to make and use
20 the invention, and is provided in the context of particular applications and their requirements. Various modifications to the preferred embodiments will be readily apparent to those skilled in the art, and the generic principles defined herein may be
25 applied to other embodiments and applications without departing from the spirit and scope of the invention. Thus, the present invention is not intended to be limited to the embodiments shown, but is to be accorded the widest scope consistent with the
30 principles and features disclosed herein.

Referring to the illustrative drawings of Figure 5, there is shown a perspective view of a ferrule 70 in accordance with a present embodiment of the invention. The ferrule 70 is generally cylindrical in shape and has top, middle and bottom annular ribs 72, 74 and 76 extending outwardly therefrom. Figures 6A and 6B respectively show top elevation and bottom elevation views of the ferrule 70. In Figure 6A, there is shown an inlet opening 78 surrounded by the top annular rib 72. In Figure 6B, there is shown an outlet opening 80 surrounded by the bottom annular rib 76. In the preferred embodiment, the ferrule 70 is formed from a hard substantially deformable material such as plastic, metal, glass or polyvinylchloride. Preferably the ferrule 70 is formed from a material that is acid-resistant and gamma-stabilized so that it can withstand a sterilization process involving irradiation.

The illustrative drawing of Figure 7, shows a cross-sectional side elevation view of the ferrule 70. First, second and third interior wall regions 82, 84 and 86 define a conduit 88 extending between the inlet opening 78 and the outlet opening 80. The respective first, second and third interior wall regions 82, 84 and 86 each have substantially cylindrical contours and are aligned along a central axis 90 of the conduit 88.

As explained more fully below, the first, second and third interior wall regions define three separate taper lock surfaces. Each of these three interior wall regions can be sized and contoured to conform to the shape of a different connector portion from a different connector. For example, the first interior wall region 82 can be sized and contoured to conform to the shape of a portion 83 of the first connector

58 of Figure 3. The second interior wall region 86, for example, can be sized and contoured to conform to the shape of a portion 87 of the second connector 60 of Figure 4. It will be appreciated that the interior wall regions of Figure 7 are drawn to a different scale than the connectors of Figures 3 and 4. Moreover, the second interior wall region 84, for example, can be sized and contoured to conform to the shape of yet another connector (not shown).

10 A taper lock is caused by a frictional engagement force that results when a connector becomes lodged within the ferrule 70. The different sizing and contouring of the three different interior wall regions 82, 84 and 86 ensures that differently sized and contoured connector portions can become lodged against different interior wall regions.

Thus, when the first connector 58 is inserted into the inlet opening 78 of the ferrule 70, it becomes lodged against the first interior wall region, forming a taper lock with it. Likewise, when the second connector 60 is inserted into the inlet opening 78 of the ferrule 70, it becomes lodged against the third interior wall region 86, forming a taper lock with it.

25 A more detailed description of the sizing and contour of the ferrule 70 follows. The first interior wall region 82 has interior walls that are inclined relative to the central axis 90 so as to define a generally conical shape in which a diameter of a first segment of the conduit 88 defined by the first interior wall region 82 decreases with increasing distance from the inlet opening 78. A first interior annular shoulder 92 demarcates the end of the first interior wall region 82.

-10-

A second segment of the conduit 88 is defined by the second interior wall region 84 which also is substantially conical in shape. Like the first interior wall region, the interior walls of the second interior wall region 84 are inclined relative to the central axis 90 such that the diameter of a second conduit segment decreases with increasing distance from the inlet opening 78. A second interior annular shoulder 94 demarcates the end of the second interior wall region 84.

A third segment of the conduit 88 is defined by the third conical interior wall region 86. The interior walls of the third interior wall region are inclined relative to the central axis 90 such that the diameter of the third conduit segment decreases with increasing distance from the inlet opening 78. In the presently preferred embodiment, the dimensions of the third interior wall region are those of a luer.

It will be understood that an alternative ferrule (not shown) could be constructed in accordance with the invention in which different taper lock regions were aligned along different parallel nonaligned axes or along different nonparallel axes as explained below with respect to Figures 11 and 12.

The outer edges of the middle and bottom outwardly extending annular ribs 74, 76 are inclined relative to the central axis 90 such that the diameter of each of these respective annular ribs 74, 76 decreases with increasing distance from the inlet opening 78. Moreover, the respective shoulders 96, 98 and 100 of the top, middle and bottom annular rings are rounded. The inclined and rounded edges of the outwardly protruding annular ribs can facilitate the process of

inserting the ferrule 70 into an inlet end portion of a feeding tube as explained more fully below.

5 Referring now to Figure 8, there is shown a cross-sectional elevation view of an inlet end portion 102 of an enteral tube, in accordance with the presently preferred embodiment of the invention, which incorporates the ferrule 70. The feeding tube is formed from an elastomeric silicone material and can be formed by injection molding. The inlet end portion 102 defines an inlet port opening 104 and defines a first passage 106 between the inlet port opening 104 and the inlet opening 78 of the ferrule 70. The outlet opening 80 of the ferrule 70 communicates with a second elongated passage 108 defined by an elongated tube portion 110 of the feeding tube, only a short segment of which is shown.

10 An arm 112 is integrally formed with the end portion 102 and has a plug 114 extending therefrom. The arm 112 can be bent, and the plug 114 can be inserted into the inlet port opening 104, whereupon it becomes lodged in a space 116 between two inwardly projecting annular protrusions 118, 120 integrally formed in the inlet end portion 102. In this manner, the opening 104 can be closed when the end portion 102 is not in use.

25 Moreover, when the inlet end portion 102 is in use and a connector, such as the first or the second connector 58 or 60, is inserted through the inlet port opening 104 and has formed a taper lock with one of the inner wall regions of the ferrule 70, the inwardly projecting annular protrusions 118, 120 abut against the connector. The protrusions 118, 120 advantageously produce a fluid seal with a connector inserted through the inlet port opening 104 to

-12-

prevent fluid leakage from the opening 104. It will be appreciated that such annular protrusions alternatively could be inlaid within an annular inset (not shown) in the ferrule 70 or could be positioned downstream from the ferrule 70 adjacent to the ferrule outlet port 80.

The outwardly projecting annular ribs 74, 76, 78 of the ferrule 70 grip inwardly projecting annular ribs 122, 124 which are integrally formed in the end portion and which are contoured to fit snugly between the ribs 74, 76, 78. In this manner, the ribs 74, 76, 78 hold the ferrule 70 in place within the inlet end portion 102. It will be appreciated that although annular ribs 74, 76, 78 are used to grip the end portion 102, differently shaped objects could be used to accomplish that purpose. For example, the outer surface of the ferrule 70 could be abraded so as to roughen it to allow it to grip the interior of the end portion 102. Alternatively, for example, the outer surface of the ferrule 70 could have protrusions in the shape of individual upstanding barbs or in the shape of helical ridges.

Referring to the illustrative drawings of Figure 9, there is shown an alternative embodiment of a ferrule 126 in accordance with the invention. The alternative ferrule 126 is generally similar to the presently preferred ferrule 70 except that it includes only two interior wall regions 128, 130 for use as taper lock surfaces instead of the three such regions 82, 84, 86 of the ferrule 70. The ferrule 126 includes a conduit having a central axis 132. The conduit extends between an inlet opening 134 and an outlet opening 136. Thus, the structure and operation of the alternative ferrule 126 will be appreciated from the above description of the

preferred ferrule 70 and need not be set forth herein.

Figure 10 shows a cross-sectional elevation view of an enteral tube 138 which incorporates the alternative ferrule 126. The enteral tube 138 includes an inlet end portion 140 defining an inlet port opening 142. It also includes an elongated tube member 144, an inflatable balloon 146 and a locking ring 148. The enteral tube 138 also includes a valve 148 for use in providing fluid to the balloon 146 and another end portion 150 defining another port opening 152 that can be used to provide medication.

In order to manufacture a feeding tube that incorporates a ferrule like that of Figures 7 or 9, the ferrule can be mounted on a pin, for example, and a silicone end portion can be injection molded about it. Alternatively, the silicone end portion can be produced first, and later the ferrule can be mounted on a mandril and be forced into position within the end portion. In this alternative manufacturing approach, the inclined and rounded outer portions of the outwardly extending annular ribs are useful to ensure that the ferrule does not become snagged as it is forced into the end portion.

It will be appreciated that while the presently preferred embodiment of Figures 7 and 9 include interior wall regions 82, 84, 86 and 128,130 for use in forming taper locks with differently sized connector portions, alternative locking mechanisms can be employed without departing from the invention. For example, a thread connection, barbs, a ball joint or a quick spike joint could be employed. Moreover, the interior wall regions need not be smooth or gradually decreasing in diameter to be employed in

forming a taper lock with a connector.

Referring to the illustrative drawings of Figure 11, there is shown a first branched ferrule in accordance with the invention. The first branched ferrule 160 is disposed within an elongated tube member 162 which defines a jejunal tube 164, a gastrostomy tube 166 and a fluid line 168. The elongated tube member 162 is formed from a flexible elastomeric material such as silicone. The first branched ferrule 160 defines first and second jejunal inlet openings 170, 172 that provide fluid access, through a first tubule 174, to the jejunal tube 164. First and second gastrostomy inlet openings 176, 178 provide fluid access, through a second tubule 180, to the gastrostomy tube 166. The first jejunal and gastrostomy inlet openings 170, 176, for example can be used to receive food, and the second jejunal and gastrostomy inlet openings 172, 178, for example, can be used to receive medicine. The elongated tube member 162 defines a fluid port 188 in which a valve (not shown) can be installed to control the flow of a fluid through the fluid line 168.

A region accessible through the first jejunal inlet opening 170 includes first and second conical inner wall regions 182, 184 that can be used to form taper locks with a connector portion (not shown). That same region accessible through the first jejunal inlet opening 170 also defines threads 186 that can be threaded to a complementary threaded connector (not shown). Thus, the first branched ferrule 160 can form a taper lock or a threaded engagement with different connectors inserted into the first jejunal inlet opening 170.

Referring to the illustrative drawings of Figure 12,

-15-

there is shown a second branched ferrule 190 in accordance with the invention. The second branched ferrule 190 is disposed within an elongated tube member 192 which defines a single enteral tube 194 and a fluid line 196. The second branched ferrule 190 defines first, second, third and fourth inlet openings 198, 200, 202, 204, each of which provides fluid access to a single tubule 206 that communicates with the single enteral tube 194. The elongated tube member 192 defines a fluid port 208 in which a valve (not shown) can be installed to control the flow of fluid through the fluid line 196.

Two conical barbs 210 upstand from the second branched ferrule 190 about the second inlet port external to the elongated tube member 192. The barbs 210 can be used to engage and hold in place a connector (not shown) formed from a flexible material such as silicone.

Referring to the illustrative drawings of Figure 13, there is shown a cross-sectional view of another ferrule 212 in accordance with the invention. The ferrule 212 defines a conduit extending between an inlet opening 214 and an outlet opening 216. It also defines first and second conical inner wall regions 218, 220, aligned about a central axis 221, that can be used to form respective taper locks with differently sized and contoured connector portions. A barbed stem 222 extends longitudinally along the axis and defines the outlet opening 216. The barbs can be used to secure the ferrule to an enteral tube inlet opening (not shown) so as to adapt such a tube opening to withstand repeated insertions and removals of differently sized connectors without suffering, stretching or wear-and-tear.

WHAT IS CLAIMED IS:

1. For use in a feeding tube formed from a flexible material, a ferrule comprising:

5 an inner wall defining a conduit extending between an inlet opening and an outlet opening;

first taper lock means defined by a first region of said inner wall for forming a taper lock with a first connector portion having first dimensions; and

10 second taper lock means defined by a second region of said inner wall for forming a taper lock with a second connector portion having second dimensions.

2. The ferrule of Claim 1 and further including third taper lock means defined by a third region of said inner wall for forming a taper lock with a third connector portion having third dimensions.

15

3. The ferrule of Claim 1, wherein:

said first taper lock means and said second taper lock means are aligned along a central axis of the conduit;

20 said first region of said inner wall is inclined relative to the central axis; and

said second region of said inner wall is inclined relative to the central axis.

4. The ferrule of Claim 1 wherein:

25 said first taper lock means and said second taper lock means are aligned along a central axis of the conduit;

30 said first region of said inner wall defines a first segment of the conduit which has a diameter that decreases with increasing distance from the inlet opening; and

said second region of said inner wall defines a second segment of the conduit which has a diameter that

decreases with increasing distance from the inlet opening.

5. The ferrule of Claim 1 wherein:

5 said first taper lock means and said second taper lock means are aligned along a central axis of the conduit;

said first region of said inner wall has a circular circumference about the central axis; and

10 said second region of said inner wall has a circular circumference about the central axis.

6. The ferrule of Claim 1 wherein said second taper lock means is sized for forming a taper lock with a second taper lock portion having dimensions of a lure.

7. The ferrule of Claim 1 wherein:

15 said first taper lock means and said second taper lock means are aligned along a central axis of the conduit; and

said first taper lock means is disposed closer to the inlet opening than the second taper lock means.

20 8. The ferrule of Claim 1 further including gripping means for gripping the feeding tube.

9. The ferrule of Claim 8 wherein said gripping means includes at least two outwardly extending annular ribs.

25 10. For use in a feeding tube formed from a flexible material, a ferrule comprising:

an inner wall defining a conduit extending between a inlet opening and an outlet opening;

30 first taper lock means defined by a first region of said inner wall for forming a taper lock with a first connector portion having first dimensions; and

-18-

second taper lock means defined by a second region of said inner wall for forming a taper lock with a second connector portion having second dimensions;

5 wherein said first taper lock means and said second taper lock means are aligned along a central axis of the conduit;

10 wherein said first region of said inner wall defines a first segment of the conduit which has a diameter that decreases with increasing distance from the inlet opening; and

wherein said second region of said inner wall defines a second segment of the conduit which has a diameter that decreases with increasing distance from the inlet opening.

15 11. The ferrule of Claim 10 and further including:

third taper lock means defined by a third region of said inner wall for forming a taper lock with a third connector portion having third dimensions;

20 wherein said third region of said inner wall defines a third segment of the conduit which has a diameter that decreases with increasing distance from the inlet opening.

25 12. The ferrule of Claim 11 wherein said first taper lock means is disposed closer to the inlet opening than said second taper lock means and said second taper lock means is disposed closer to the inlet opening than said third taper lock means.

30 13. The ferrule of Claim 12 wherein said third taper lock means is sized for forming a taper lock with a third connector portion having dimensions of a lure.

14. The ferrule of Claim 10 and further including gripping means for gripping the feeding tube.

-19-

15. The ferrule of Claim 14 wherein said gripping means includes at least two outwardly extending annular ribs.

16. For use in a feeding tube formed from a flexible material, a ferrule comprising:

5 an inner wall defining a conduit extending between an inlet opening and an outlet opening;

first taper lock means defined by a first region of said inner wall for forming a taper lock with a first connector portion having first dimensions;

10 second taper lock means defined by a second region of said inner wall for forming a taper lock with a second connector portion having second dimensions; and

third taper lock means defined by a third region of said inner wall for forming a taper lock with a third connector portion having third dimensions;

15 wherein said first taper lock means and said second taper lock means and said third taper lock means are aligned along a central axis of the conduit;

20 wherein said first region of said inner wall defines a first segment of the conduit which has a diameter that decreases with increasing distance from the inlet opening;

25 wherein said second region of said inner wall defines a second segment of the conduit which has a diameter that decreases with increasing distance from the inlet opening; and

30 wherein said third region of said inner wall defines a third segment of the conduit which has a diameter that decreases with increasing distance from the inlet opening.

17. The ferrule of Claim 16 further including gripping means for gripping the feeding tube.

18. A feeding device comprising:

an elongated tube formed from a flexible material;

-20-

an inlet end portion formed from the flexible material and integrally connected to the elongated tube and defining an inlet port opening; and

a ferrule disposed within said inlet end portion,
5 said ferrule including,

an inner wall defining a conduit extending between an inlet opening and an outlet opening,

first taper lock means defined by a first region of said inner wall for forming a taper lock
10 with a first connector portion having first dimensions, and

second taper lock means defined by a second region of said inner wall for forming a taper lock with a second connector portion having second
15 dimensions.

19. The feeding device of Claim 18 further including at least one O-ring integrally formed in the inlet end portion and extending inwardly from the inlet end portion between the port opening and the inlet opening
20 of said ferrule.

20. The feeding device of Claim 18 wherein said ferrule further includes gripping means for gripping the inlet end portion.

21. The ferrule of Claim 18 and further including third
25 taper lock means defined by a third region of said inner wall for forming a taper lock with a third connector portion having third dimensions.

22. The ferrule of Claim 18 wherein:

said first taper lock means and said second taper
30 lock means are aligned along a central axis of the conduit;

said first region of said inner wall defines a first segment of the conduit which has a diameter that

-21-

decreases with increasing distance from the inlet opening; and

5 said second region of said inner wall defines a second segment of the conduit which has a diameter that decreases with increasing distance from the inlet opening.

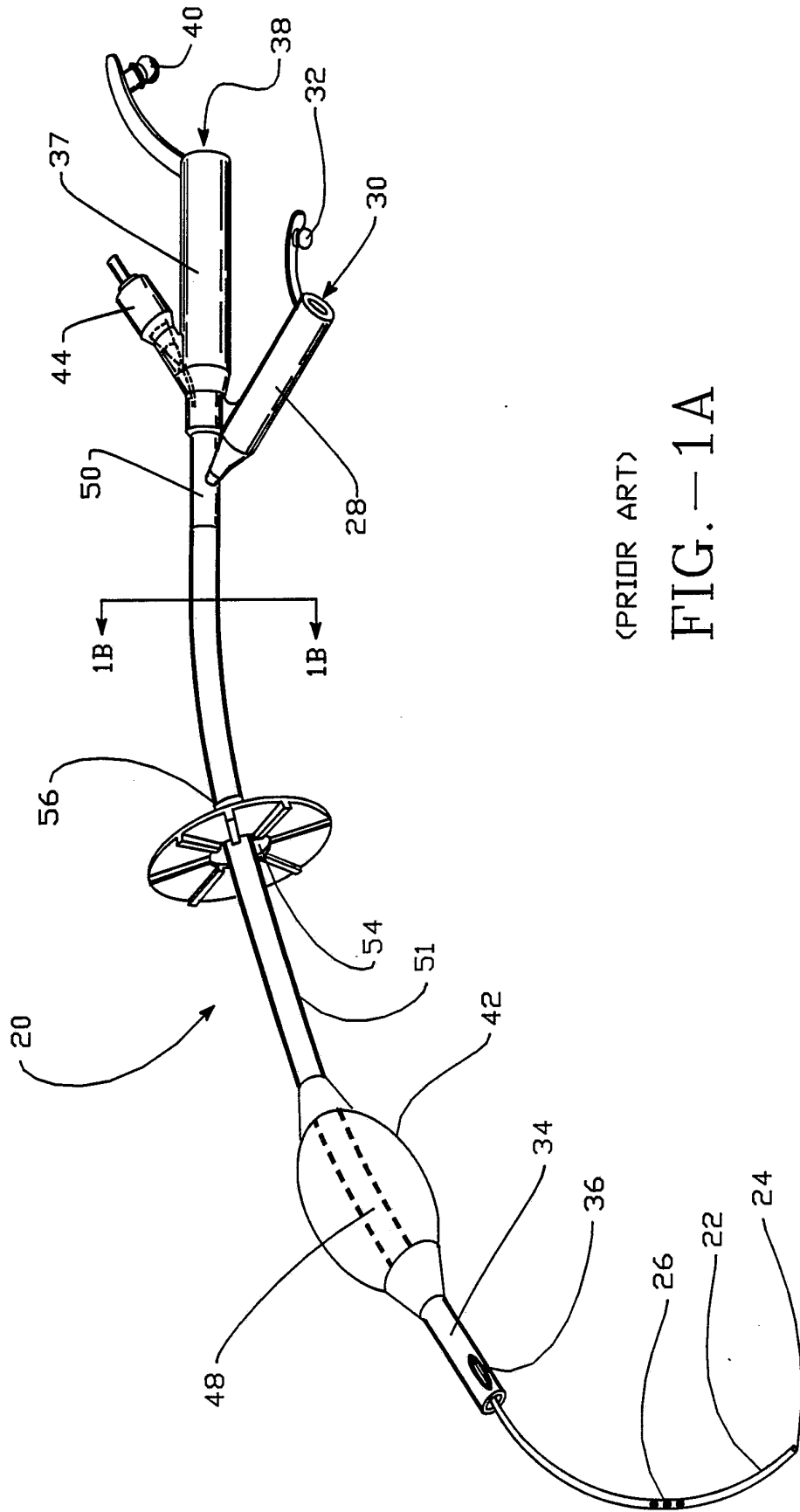
23. The ferrule of Claim 1 wherein:

10 said first taper lock means and said second taper lock means are aligned along a central axis of the conduit;

 said first region of said inner wall has a circular circumference about the central axis; and

 said second region of said inner wall has a circular circumference about the central axis.

1/13



(PRIOR ART)

FIG. -1A

2/13

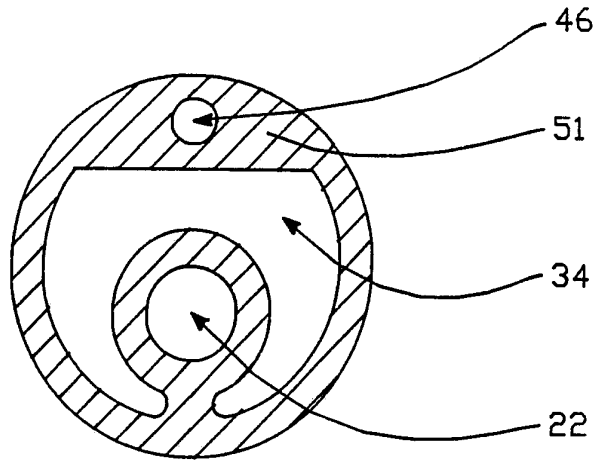


FIG. - 1B
(PRIOR ART)

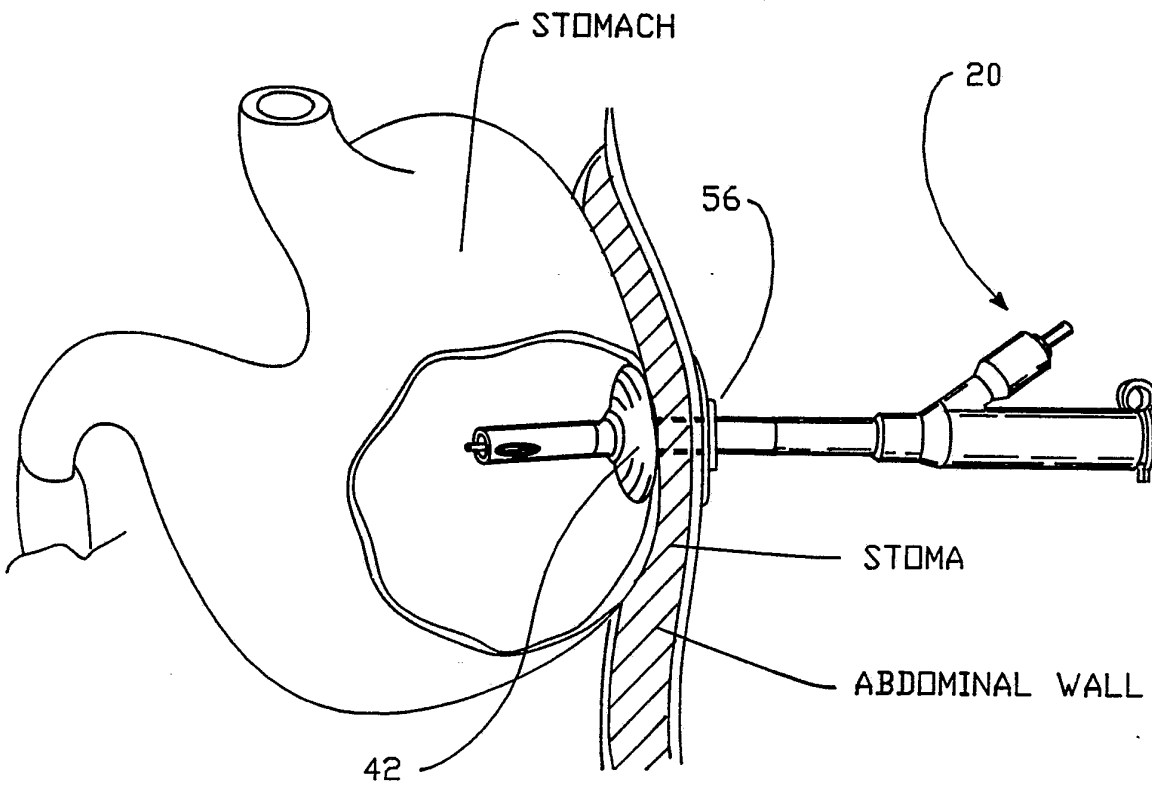


FIG. - 2
(PRIOR ART)

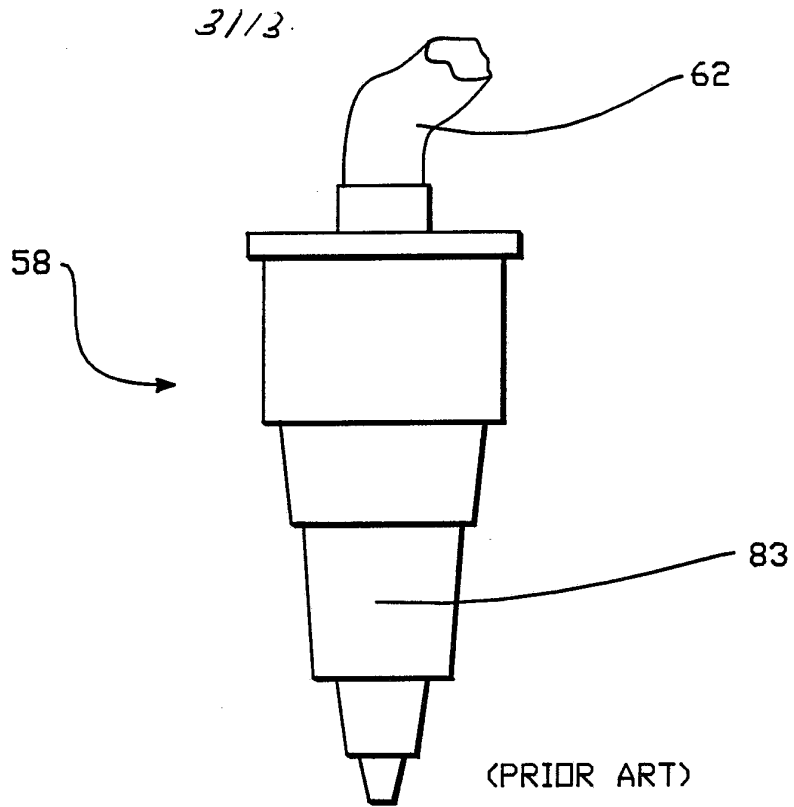


FIG. -3

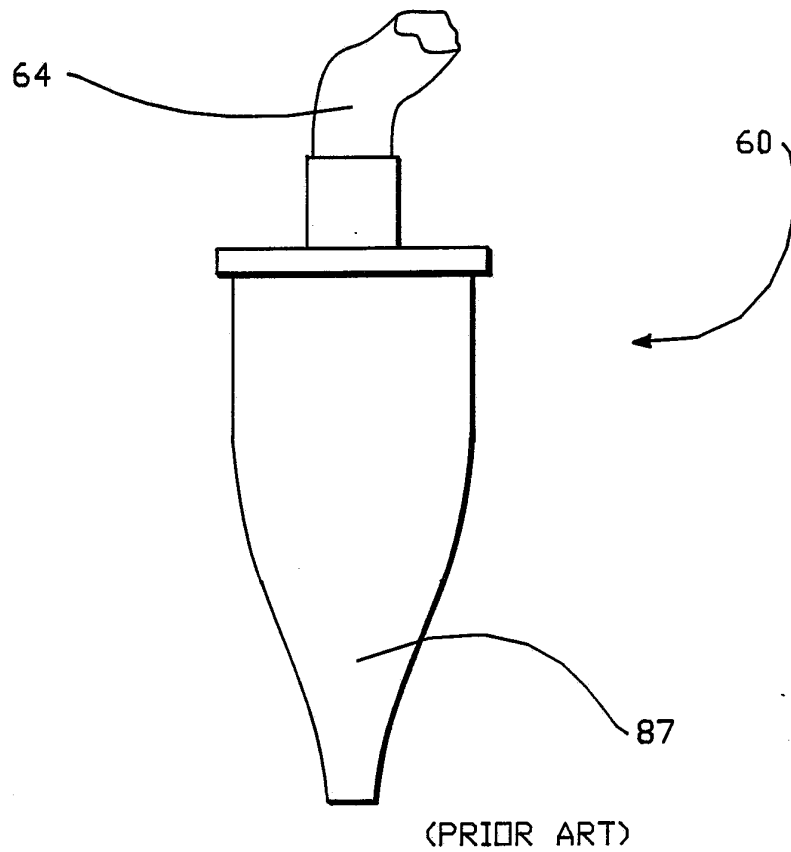


FIG. -4

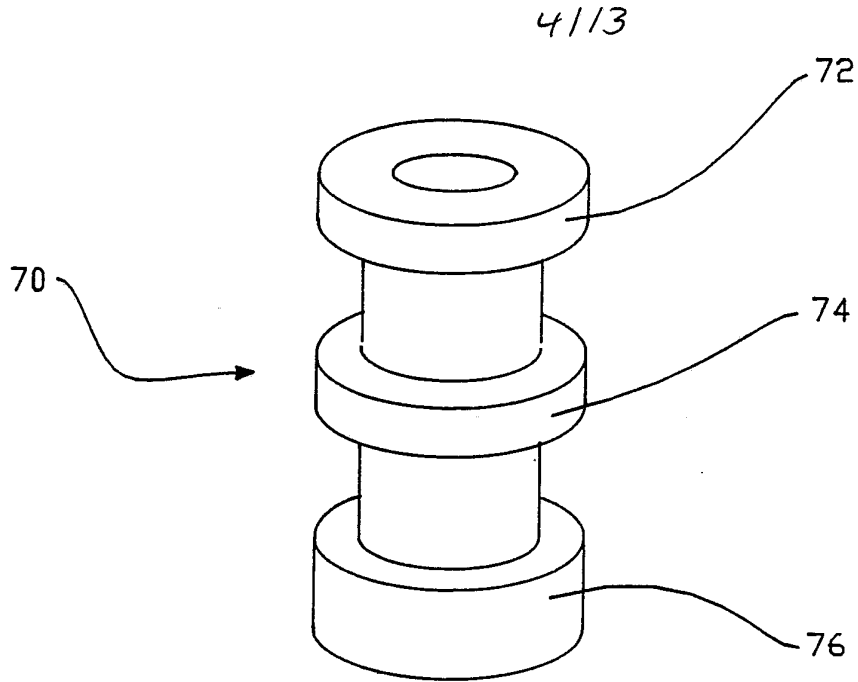


FIG.-5

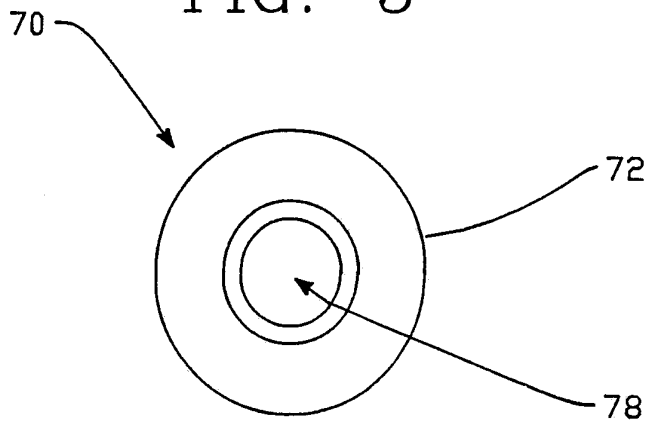


FIG.-6A

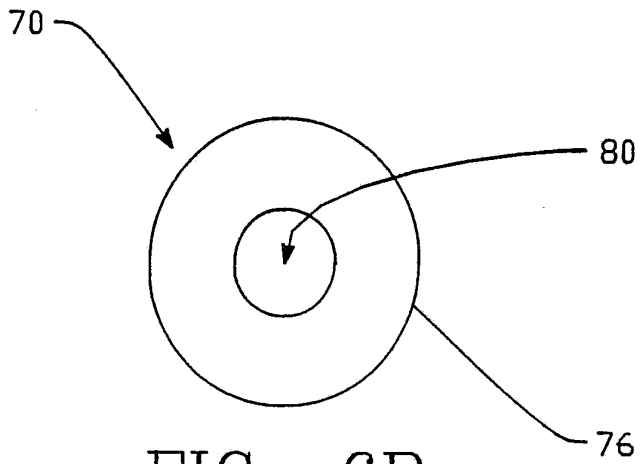


FIG.-6B

5/13

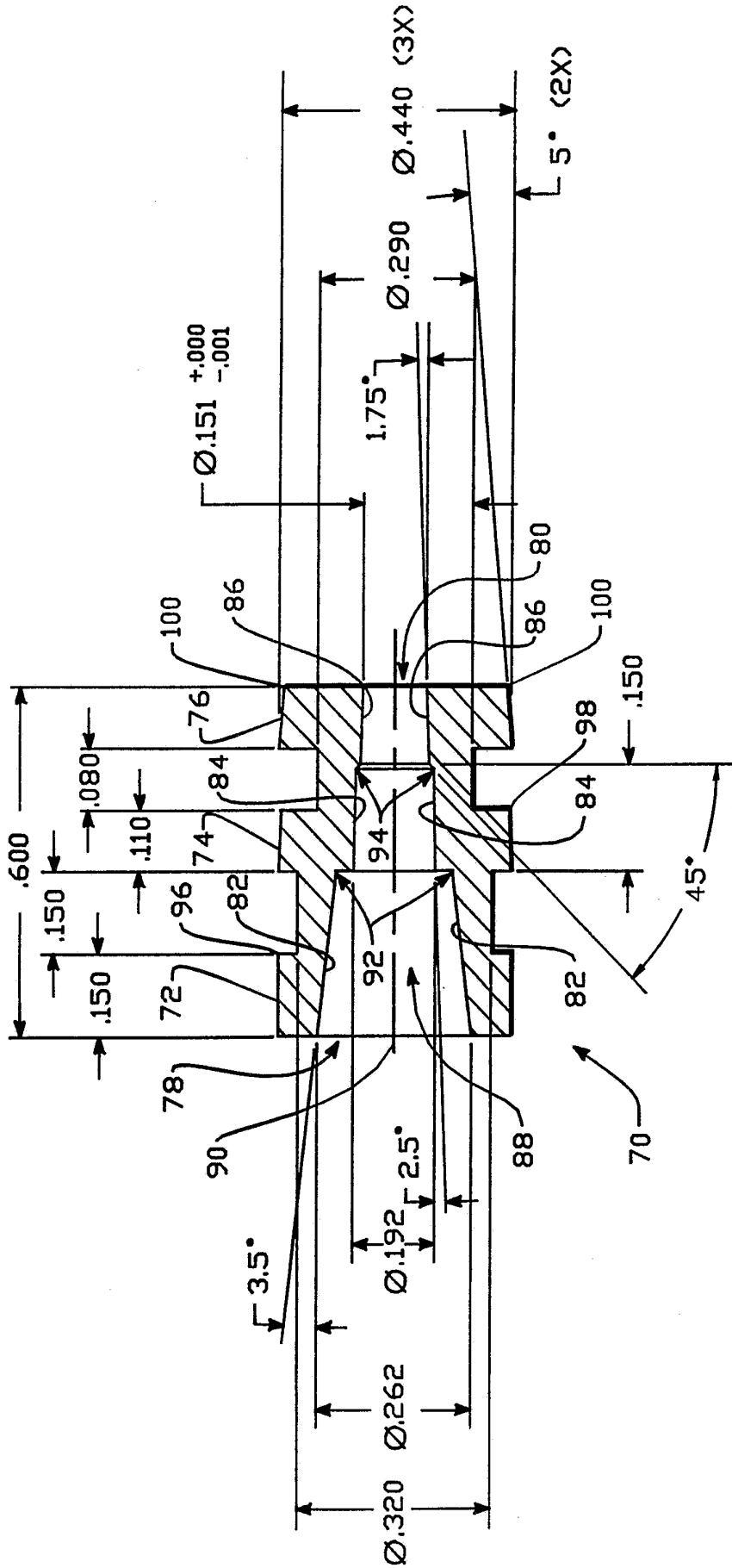
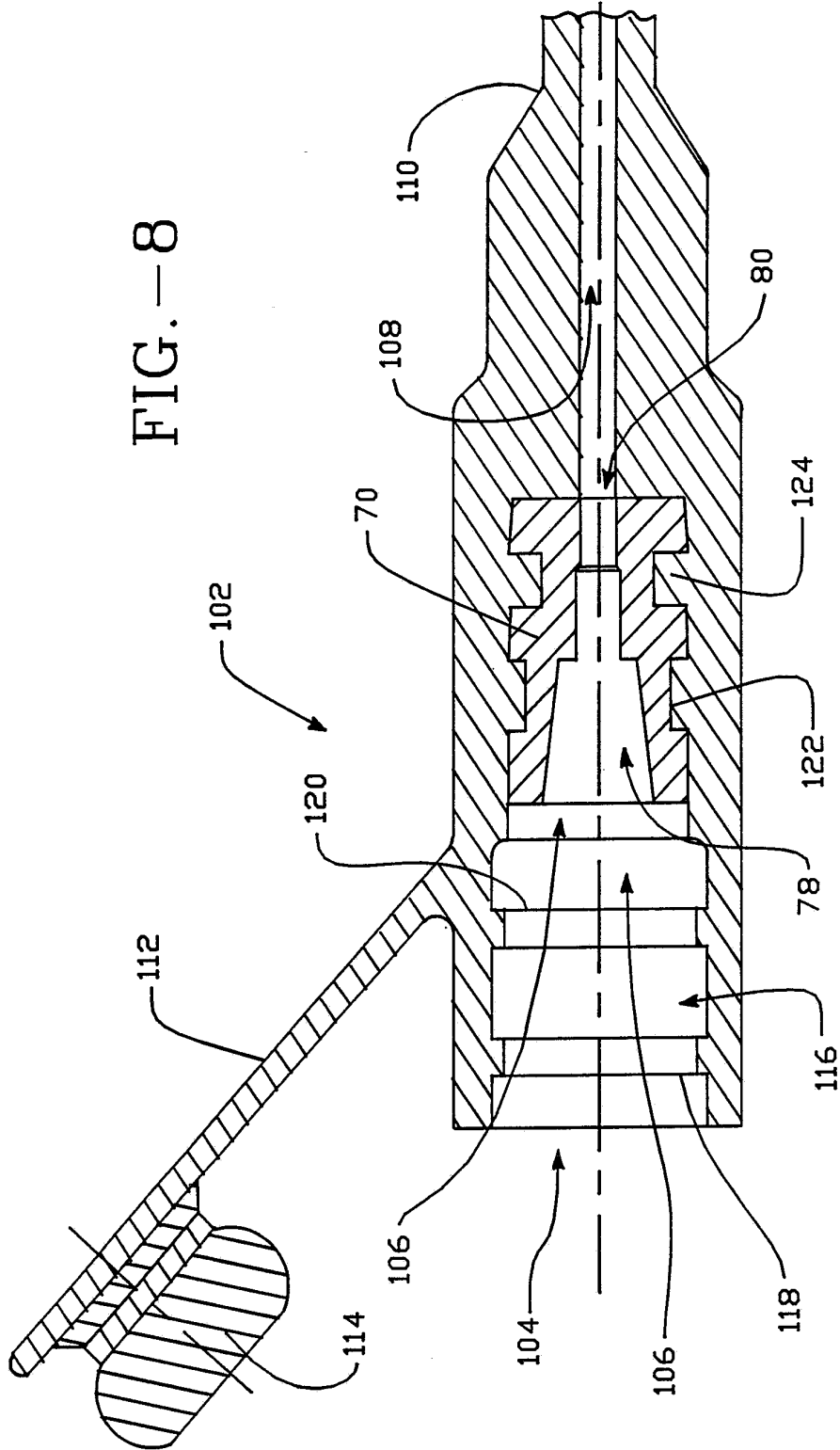


FIG.-7

6113

FIG. -8



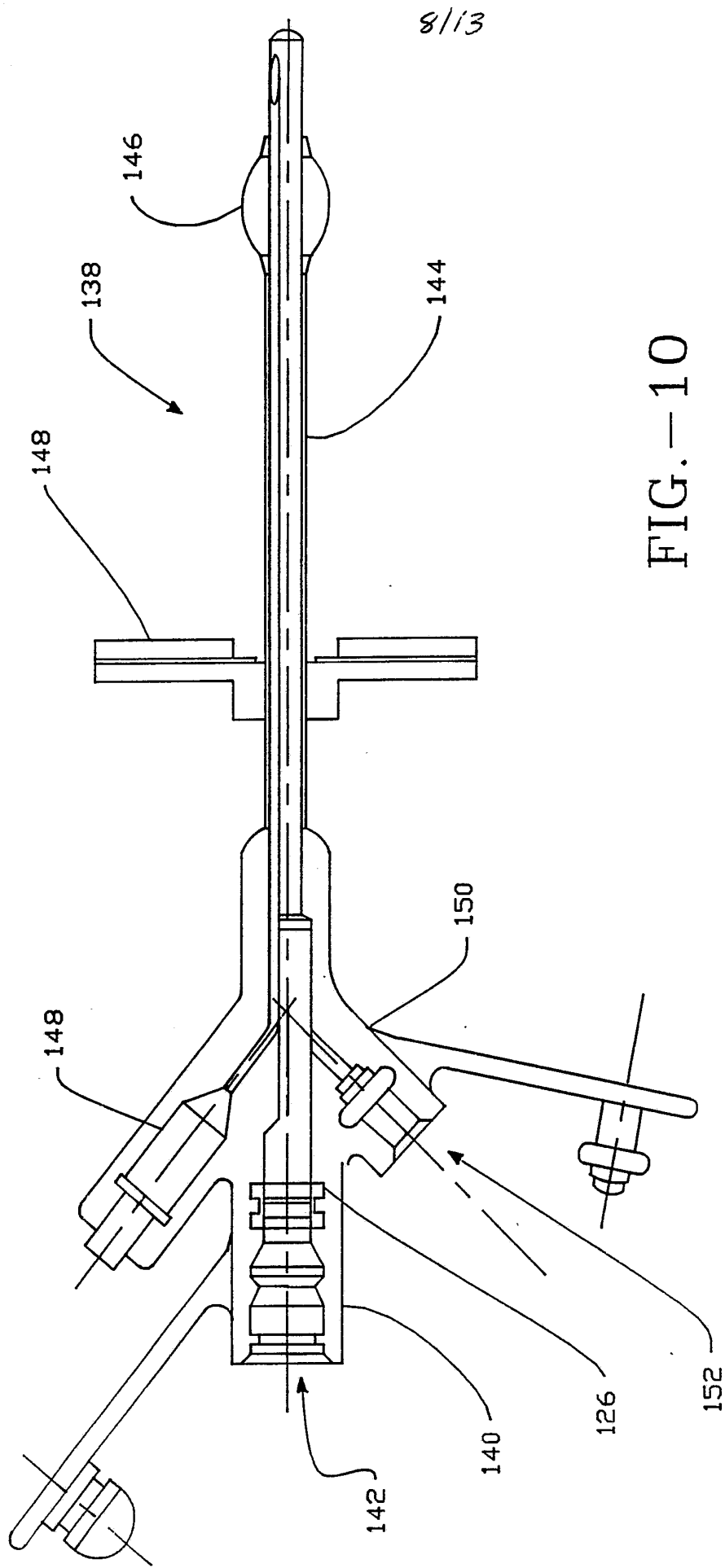


FIG. - 10

SUBSTITUTE SHEET

9/13

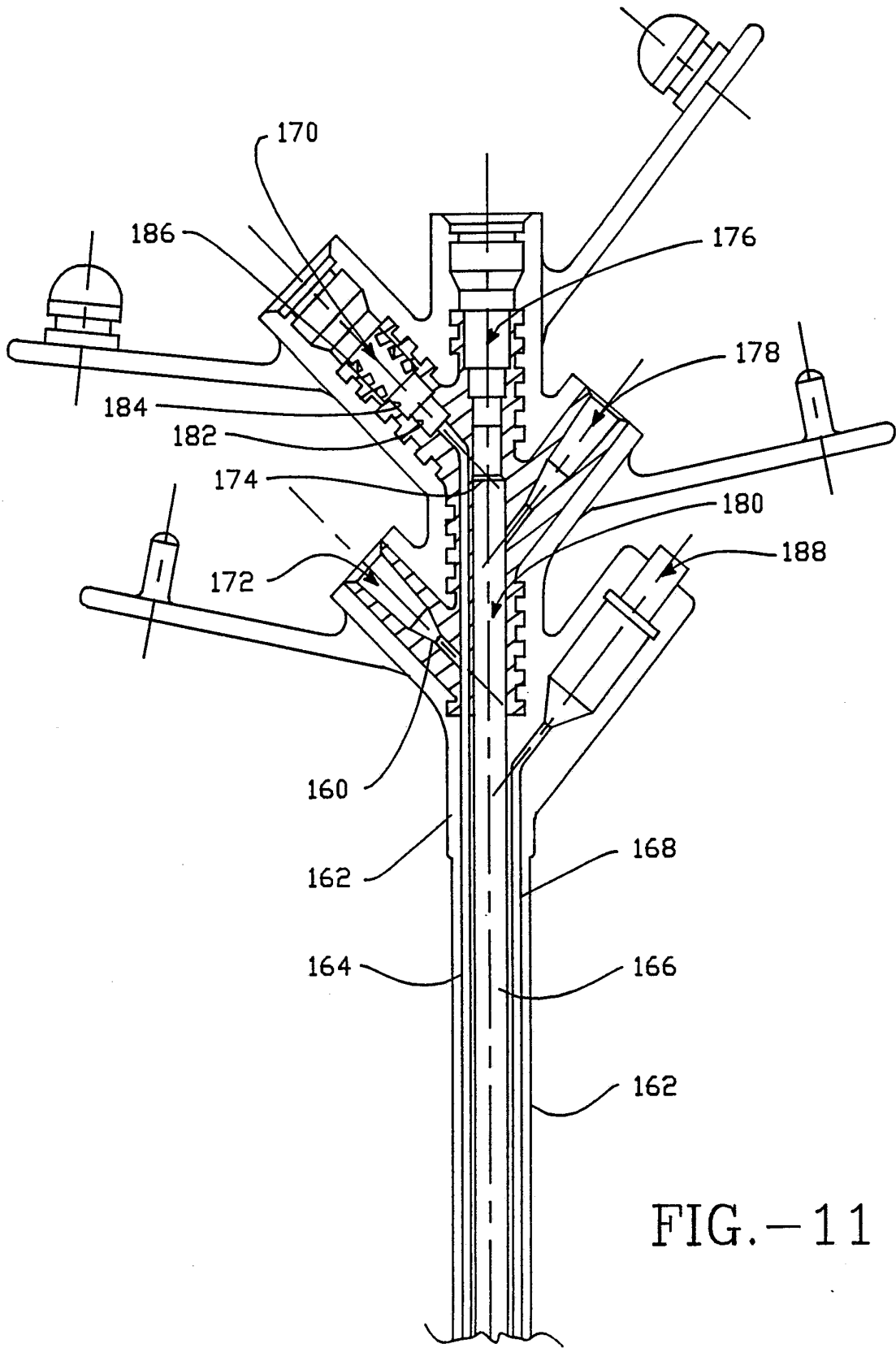


FIG.-11

SUBSTITUTE SHEET

10/13

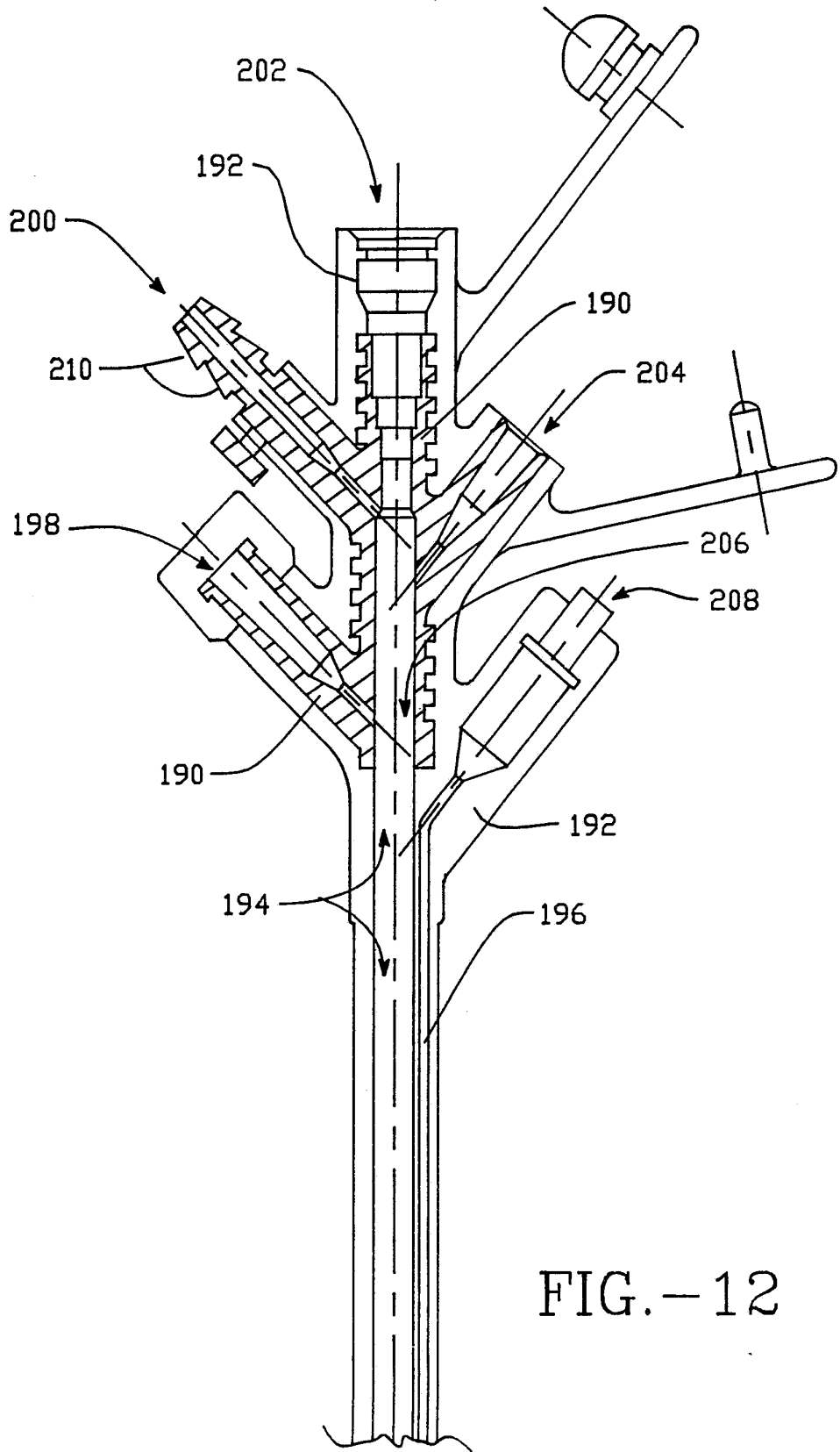


FIG.-12

11/13

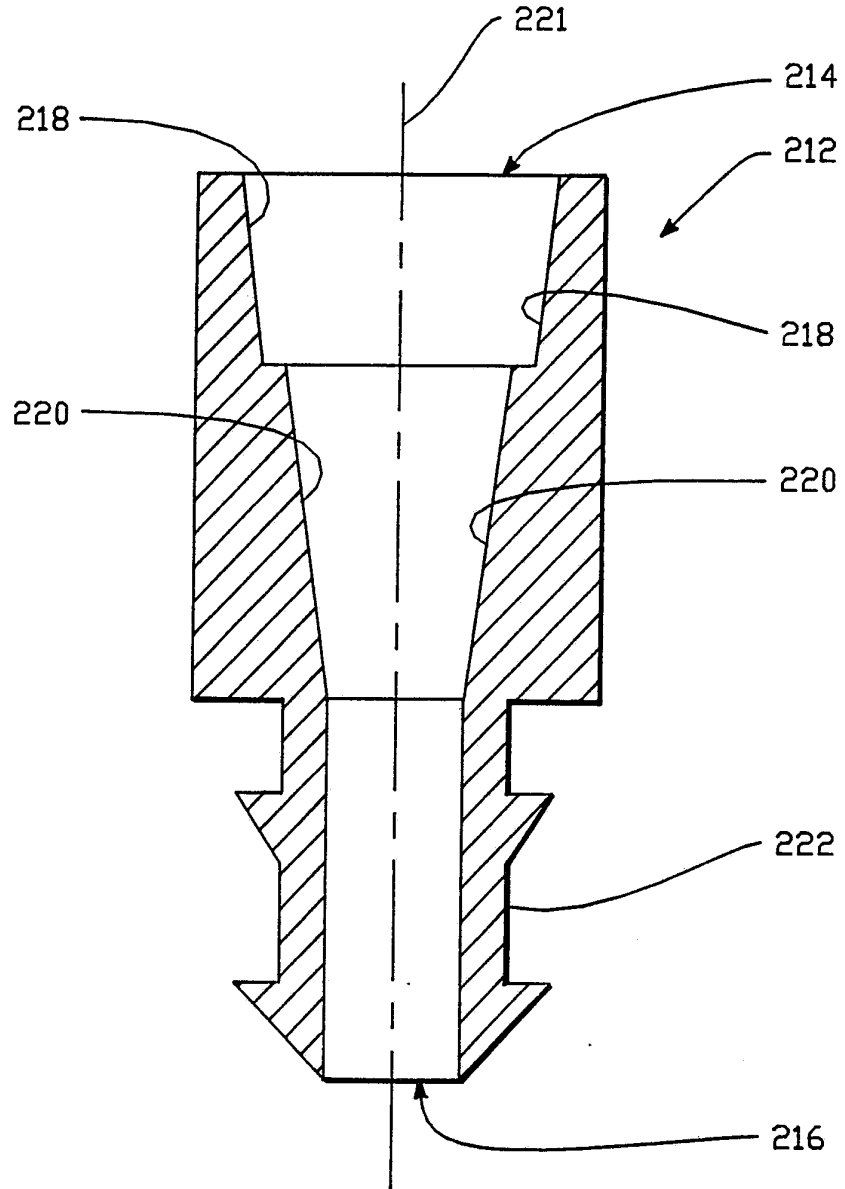


FIG. - 13

SUBSTITUTE SHEET

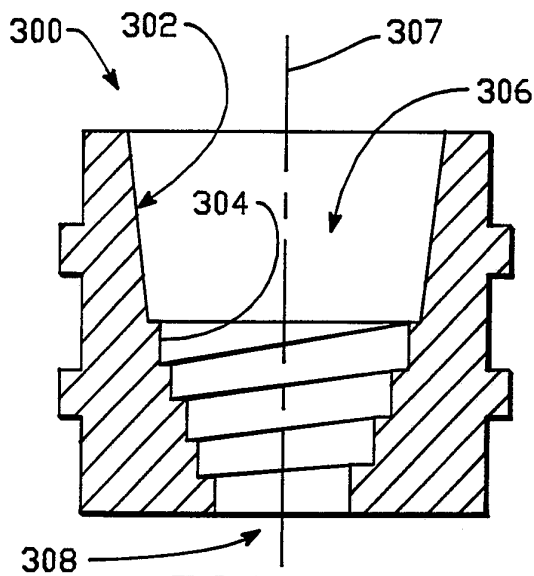


FIG. -14

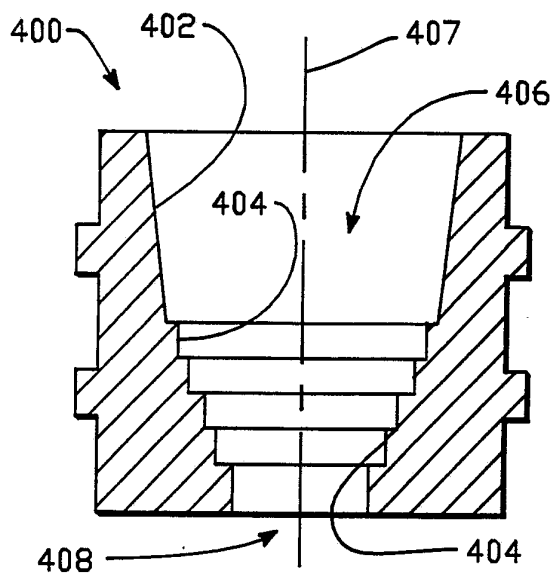


FIG. -15

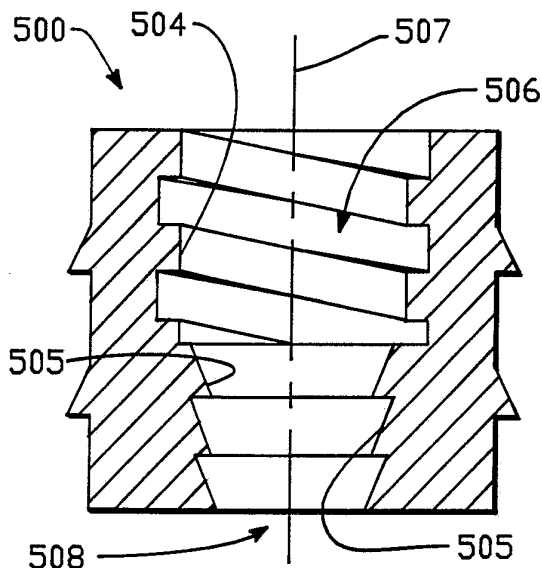


FIG. -16

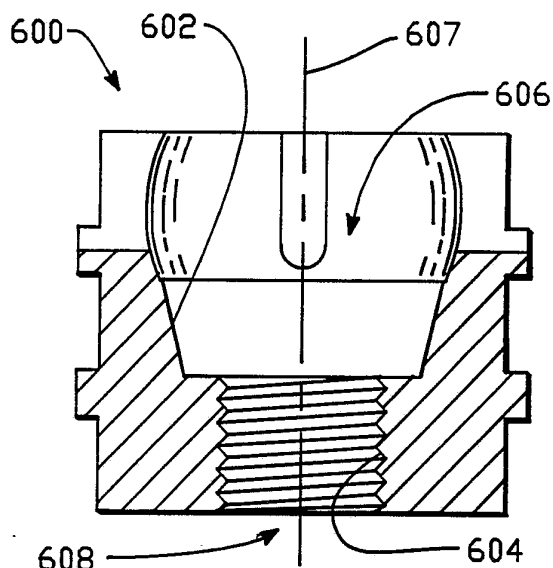


FIG. -17

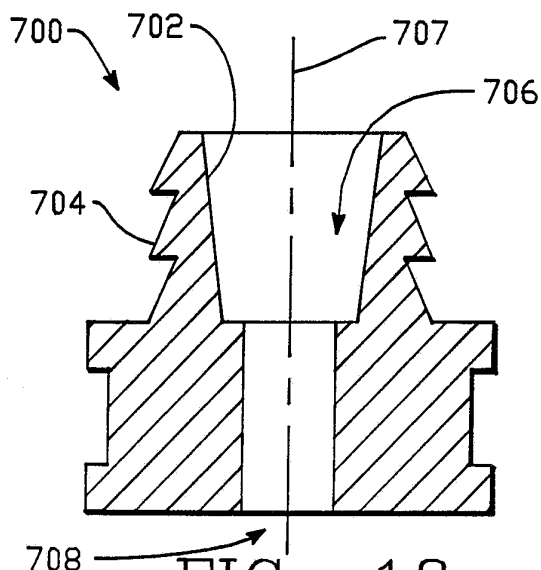


FIG. -18

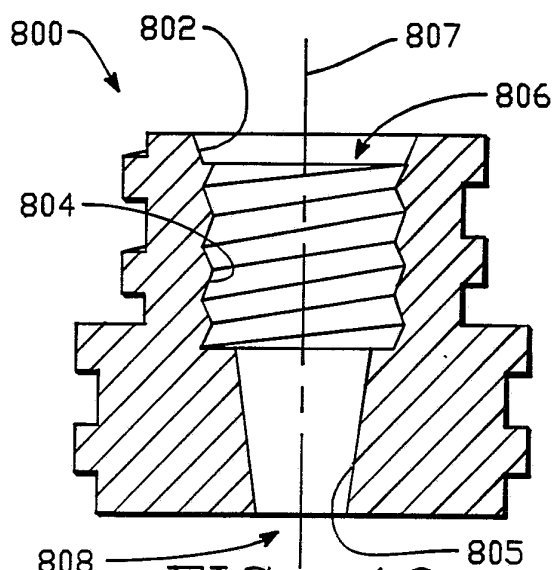


FIG. -19

13/13

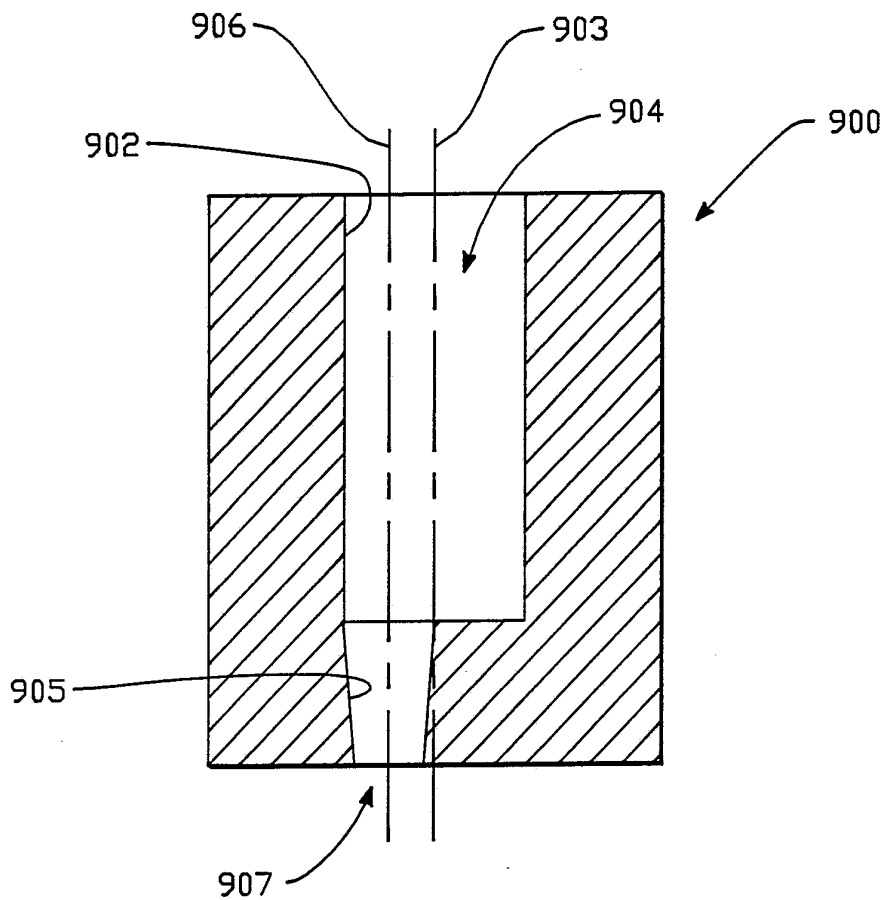


FIG.-20A

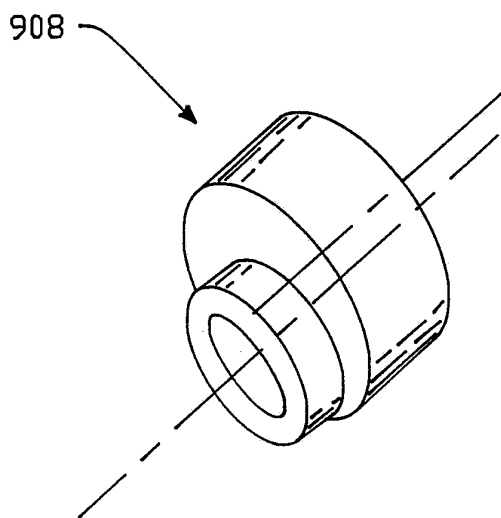


FIG.-20B

INTERNATIONAL SEARCH REPORT

International Application No **PCT/US90/07363**

I. CLASSIFICATION OF SUBJECT MATTER (if several classification symbols apply, indicate all) ³		
According to International Patent Classification (IPC) or to both National Classification and IPC		
IPC (5): A61M 39/00 U.S. CL: 16/2, 108; 74/551.9		
II. FIELDS SEARCHED		
Minimum Documentation Searched ⁴		
Classification System	Classification Symbols	
U.S. CL.	16/108	
Documentation Searched other than Minimum Documentation to the Extent that such Documents are Included in the Fields Searched ⁵		
III. DOCUMENTS CONSIDERED TO BE RELEVANT ¹⁴		
Category [*]	Citation of Document, ¹⁶ with indication, where appropriate, of the relevant passages ¹⁷	Relevant to Claim No. ¹⁸
A	US, A, 2,321,411 (MORSE) 08 June 1943 (See entire document)	1-18, 19-23
<u>X</u> <u>Y</u>	US, A, 2,327,650 (KLEIN) 24 August 1943 (See entire document)	1-17 <u>18, 20-23</u>
Y	US, A, 4,822,079 (SCHULTE) 18 April 1989 (See entire document)	18, 20-23
A	GB, A, 482,585 (LANG) 29 March 1938 (See entire document)	1-18, 19-23
A	GB, A, 630,295 (WESTMORELAND) 10 October 1949 (See entire document)	1-18, 19-23
<p>[*] Special categories of cited documents: ¹⁵</p> <p>"A" document defining the general state of the art which is not considered to be of particular relevance</p> <p>"E" earlier document but published on or after the international filing date</p> <p>"L" document which may throw doubts on priority claim(s) or which is cited to establish the publication date of another citation or other special reason (as specified)</p> <p>"O" document referring to an oral disclosure, use, exhibition or other means</p> <p>"P" document published prior to the international filing date but later than the priority date claimed</p> <p>"T" later document published after the international filing date or priority date and not in conflict with the application but cited to understand the principle or theory underlying the invention</p> <p>"X" document of particular relevance; the claimed invention cannot be considered novel or cannot be considered to involve an inventive step</p> <p>"Y" document of particular relevance; the claimed invention cannot be considered to involve an inventive step when the document is combined with one or more other such documents, such combination being obvious to a person skilled in the art.</p> <p>"&" document member of the same patent family</p>		
IV. CERTIFICATION		
Date of the Actual Completion of the International Search ²	Date of Mailing of this International Search Report ³	
22 January 1991	29 APR 1991	
International Searching Authority ¹	Signature of Authorized Officer ²⁰	
ISA/US	<i>E.A. Brown</i> E.A. Brown	

FURTHER INFORMATION CONTINUED FROM THE SECOND SHEET

V. OBSERVATIONS WHERE CERTAIN CLAIMS WERE FOUND UNSEARCHABLE¹

This international search report has not been established in respect of certain claims under Article 17(2) (a) for the following reasons:

1. Claim numbers _____, because they relate to subject matter not required to be searched by this Authority, namely:

2. Claim numbers 19, because they relate to parts of the international application that do not comply with the prescribed requirements to such an extent that no meaningful international search can be carried out¹, specifically:

Claim 19 does not appear to be supported by the description because there is no reference therein to an "O-ring". Therefore, PCT Rule 66.2(a)(v) has not been met.

3. Claim numbers _____, because they are dependent claims not drafted in accordance with the second and third sentences of PCT Rule 6.4(a).

VI. OBSERVATIONS WHERE UNITY OF INVENTION IS LACKING²

This International Searching Authority found multiple inventions in this international application as follows:

1. As all required additional search fees were timely paid by the applicant, this international search report covers all searchable claims of the international application.

2. As only some of the required additional search fees were timely paid by the applicant, this international search report covers only those claims of the international application for which fees were paid, specifically claims:

3. No required additional search fees were timely paid by the applicant. Consequently, this international search report is restricted to the invention first mentioned in the claims; it is covered by claim numbers:

4. As all searchable claims could be searched without effort justifying an additional fee, the International Searching Authority did not invite payment of any additional fee.

Remark on Protest

- The additional search fees were accompanied by applicant's protest.
 No protest accompanied the payment of additional search fees.