



US0D1028534S

(12) **United States Design Patent**
Yang

(10) **Patent No.:** **US D1,028,534 S**

(45) **Date of Patent:** **** May 28, 2024**

(54) **MIRROR**

(71) Applicant: **Dongguan Powerme Tech. Co., Ltd.**
Dongguan (CN)

(72) Inventor: **Guowei Yang**, Dongguan (CN)

(**) Term: **15 Years**

(21) Appl. No.: **29/918,673**

(22) Filed: **Nov. 29, 2023**

(51) **LOC (14) Cl.** **06-07**

(52) **U.S. Cl.**
USPC **D6/300; D6/309**

(58) **Field of Classification Search**
USPC D6/301, 302, 309, 312, 300, 308, 310;
D19/20, 26; D20/43, 44; D14/345
CPC A47G 1/06; A47G 1/065; A47G 1/0616;
A47G 1/0638; B42F 9/008; B44D 3/185;
A45D 42/10
See application file for complete search history.

(56) **References Cited**

U.S. PATENT DOCUMENTS

D738,118	S *	9/2015	Gyanendra	D23/370
D850,125	S	6/2019	Wang et al		
D879,482	S *	3/2020	Yang	D6/309
D891,792	S	8/2020	Yang		
D918,602	S *	5/2021	Chen	D6/309
D933,374	S *	10/2021	Luo	D6/309
D939,842	S *	1/2022	Li	D6/309
D942,158	S *	2/2022	Li	D6/308
D947,552	S *	4/2022	Shin	D6/309
D949,579	S *	4/2022	Chen	D6/309
2019/0003699	A1 *	1/2019	Mondora	A45D 42/10

OTHER PUBLICATIONS

Amiro Actress Mirror, available in Amazon.com, date first available Sep. 5, 2023 [online], Retrieved on Jan. 22, 2024 from URL: <https://www.amazon.co.jp/dp/B0CH9NGCMX> (Year: 2023).*

* cited by examiner

Primary Examiner — Susan E Krakower
Assistant Examiner — Michelle M Reeves
(74) *Attorney, Agent, or Firm* — Daniel M. Cohn;
Howard M. Cohn

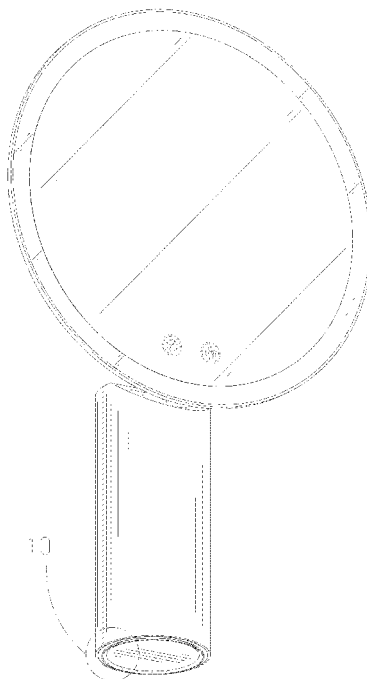
(57) **CLAIM**

The ornamental design for a mirror, as shown and described.

DESCRIPTION

FIG. 1 is a bottom perspective view of a mirror showing my new design;
FIG. 2 is a top, right, rear perspective view thereof;
FIG. 3 is a front elevational view thereof;
FIG. 4 is a rear elevational view thereof;
FIG. 5 is a left side elevational view thereof;
FIG. 6 is a right side elevational view thereof;
FIG. 7 is a top plan view thereof;
FIG. 8 is a bottom plan view thereof;
FIG. 9 is an exploded, bottom perspective view of the mirror;
FIG. 10 is an enlarged view of portion 10 shown in FIG. 1; and,
FIG. 11 is an enlarged view of portion 11 shown in FIG. 7. The dash-dash broken lines in the drawings depict portions of the mirror that form no part of the claimed design. The dot-dash broken lines represent boundaries of the enlarged portions and form no part of the claimed design.

1 Claim, 11 Drawing Sheets



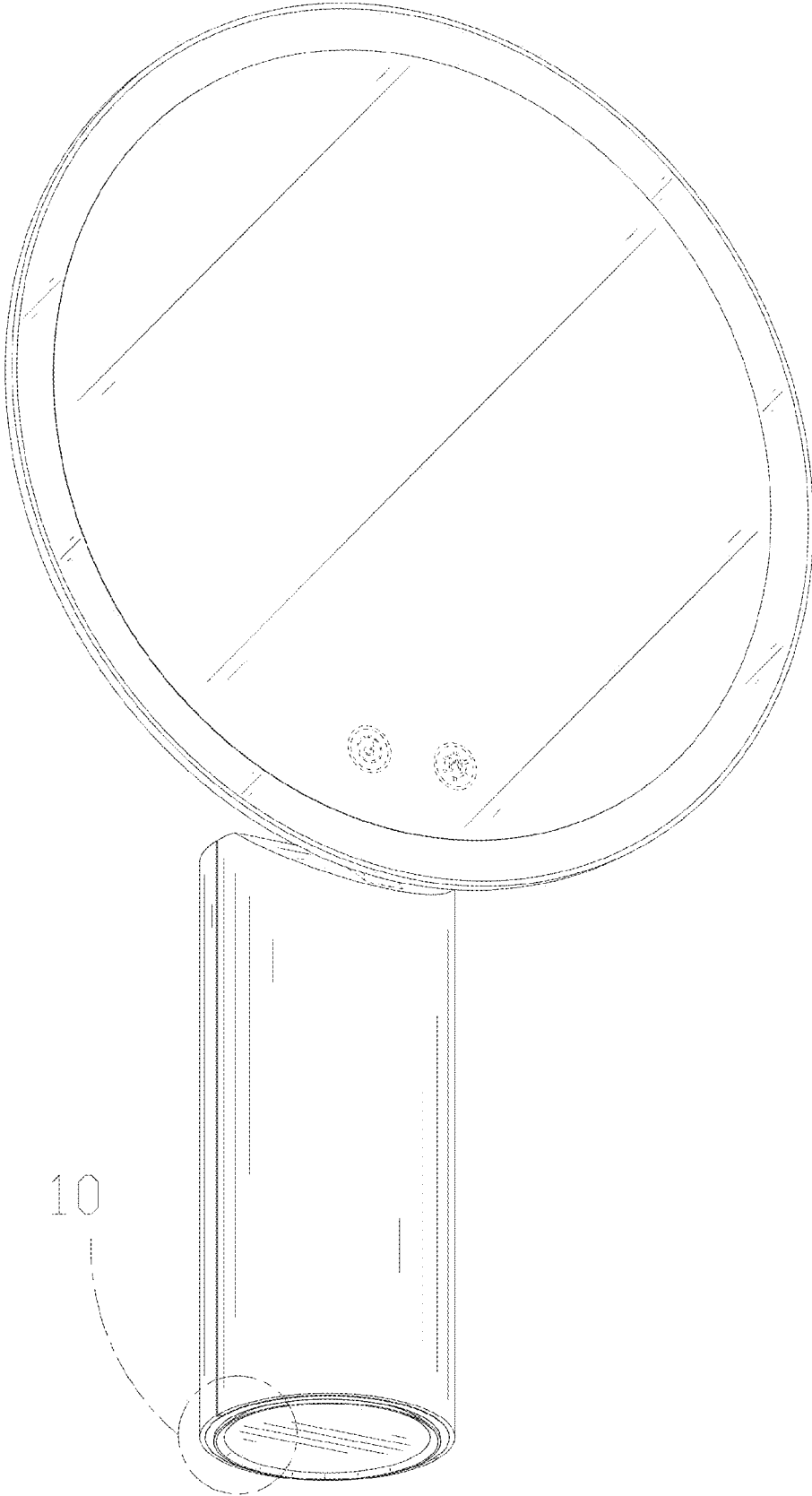


FIG. 1

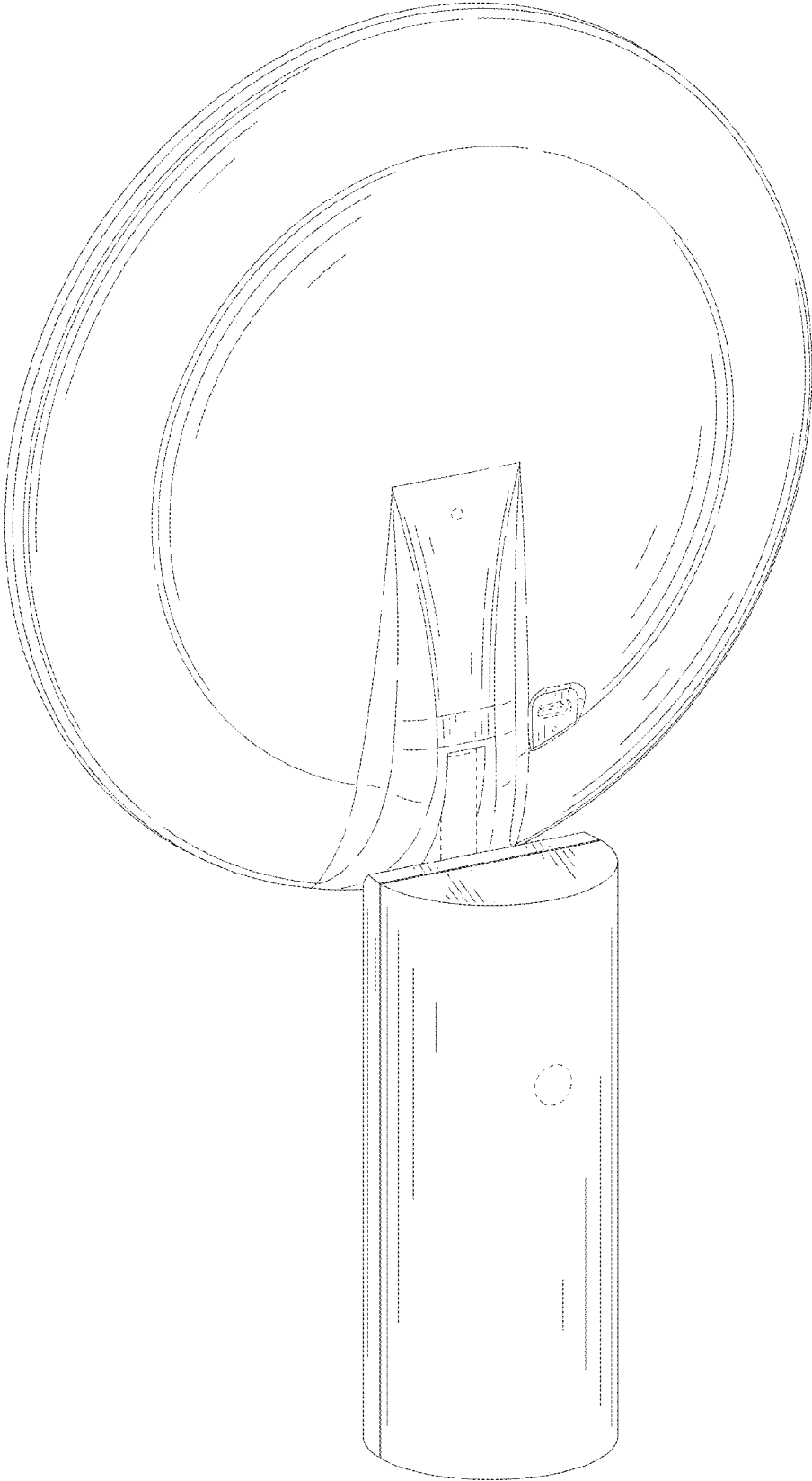


FIG. 2

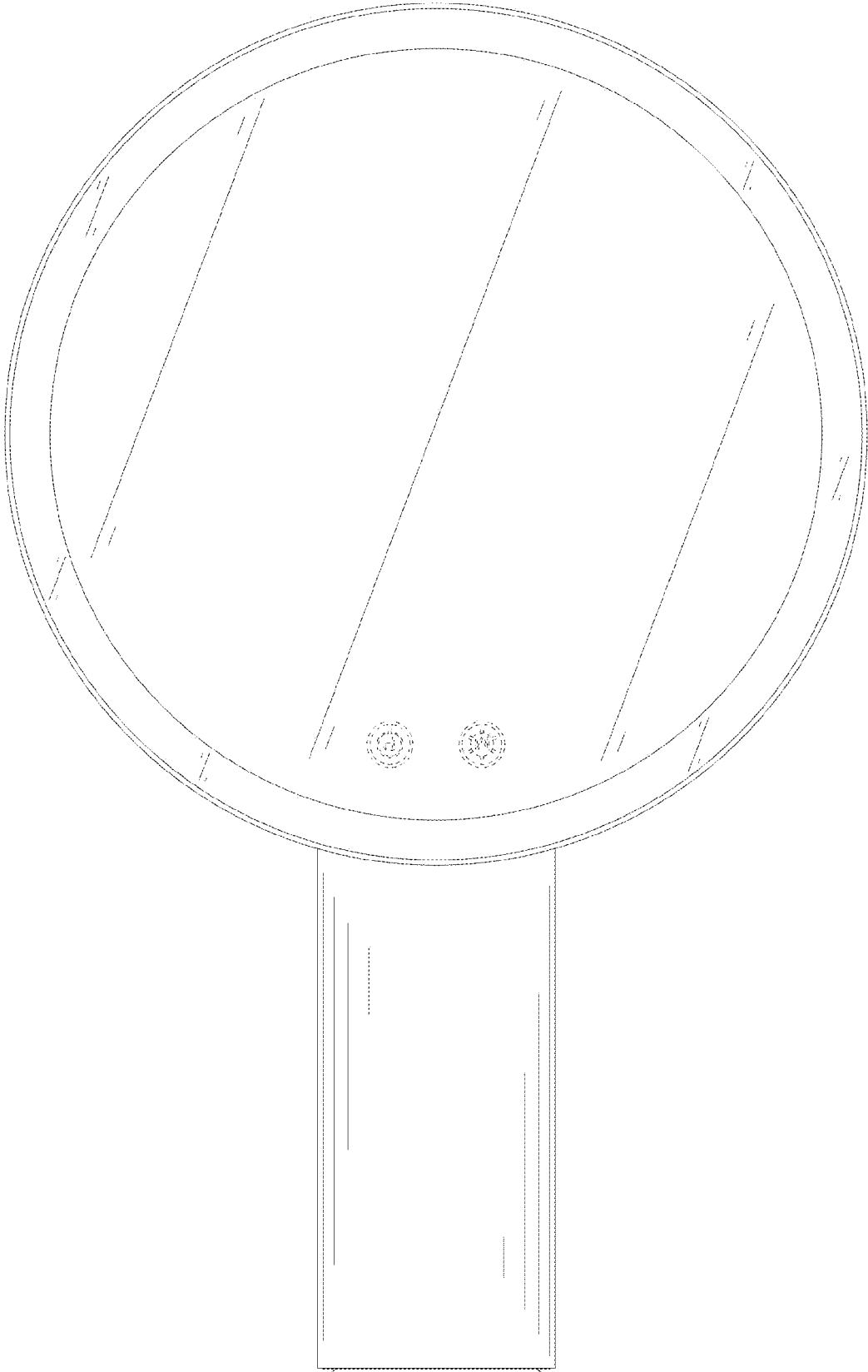


FIG. 3

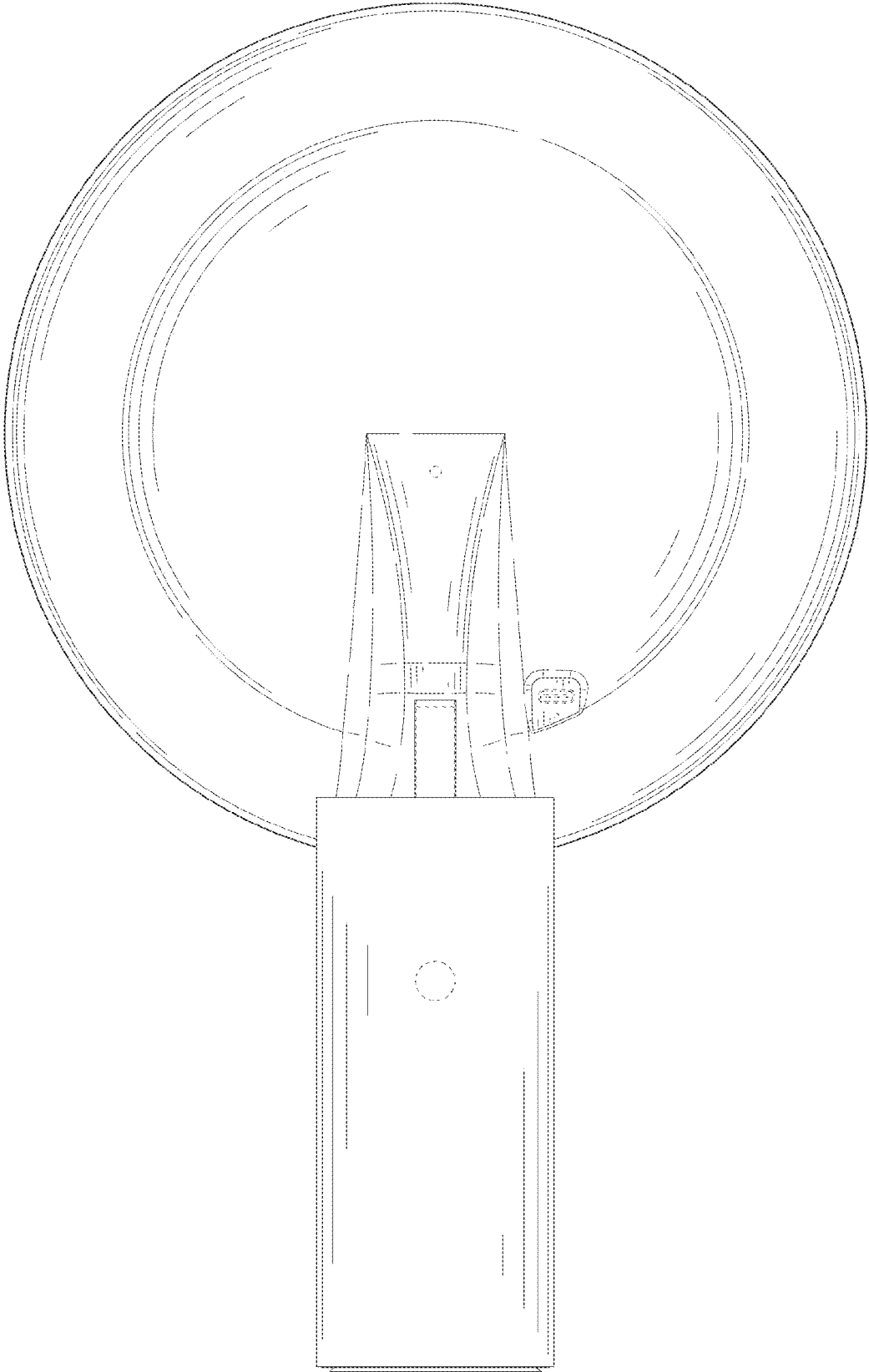


FIG. 4

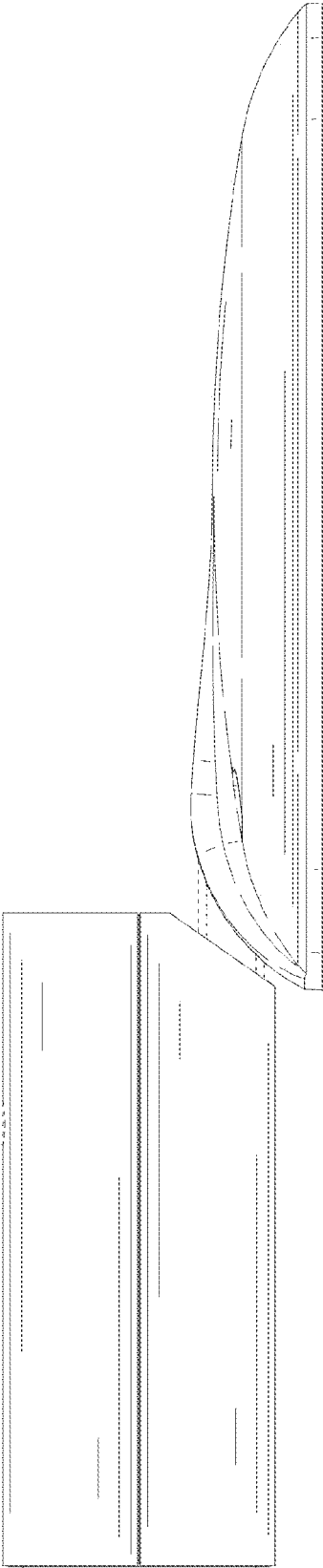


FIG. 5

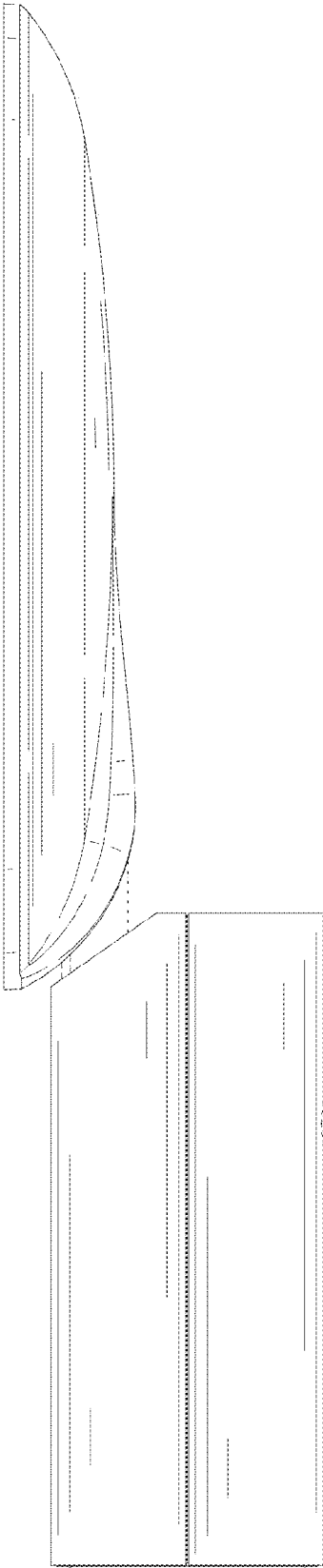


FIG. 6

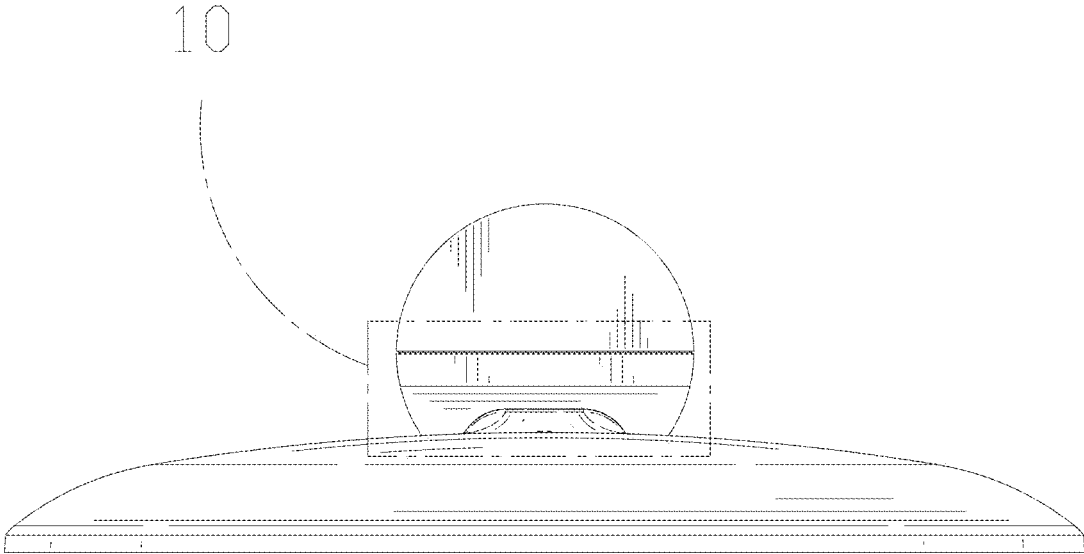


FIG. 7

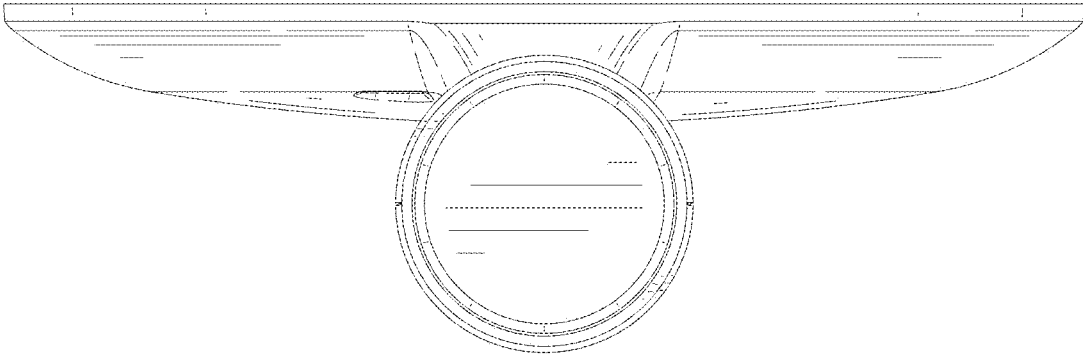


FIG. 8

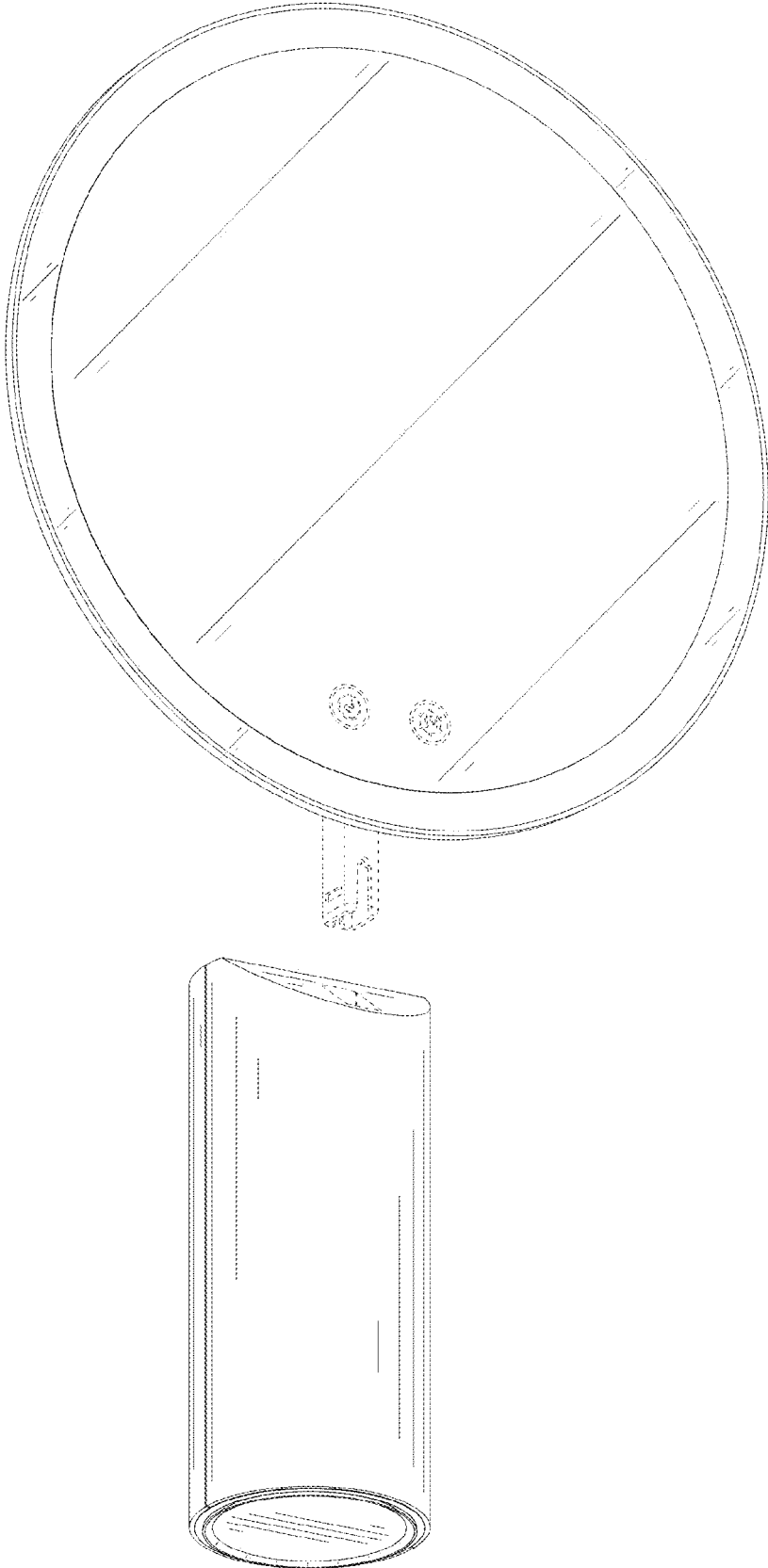


FIG. 9

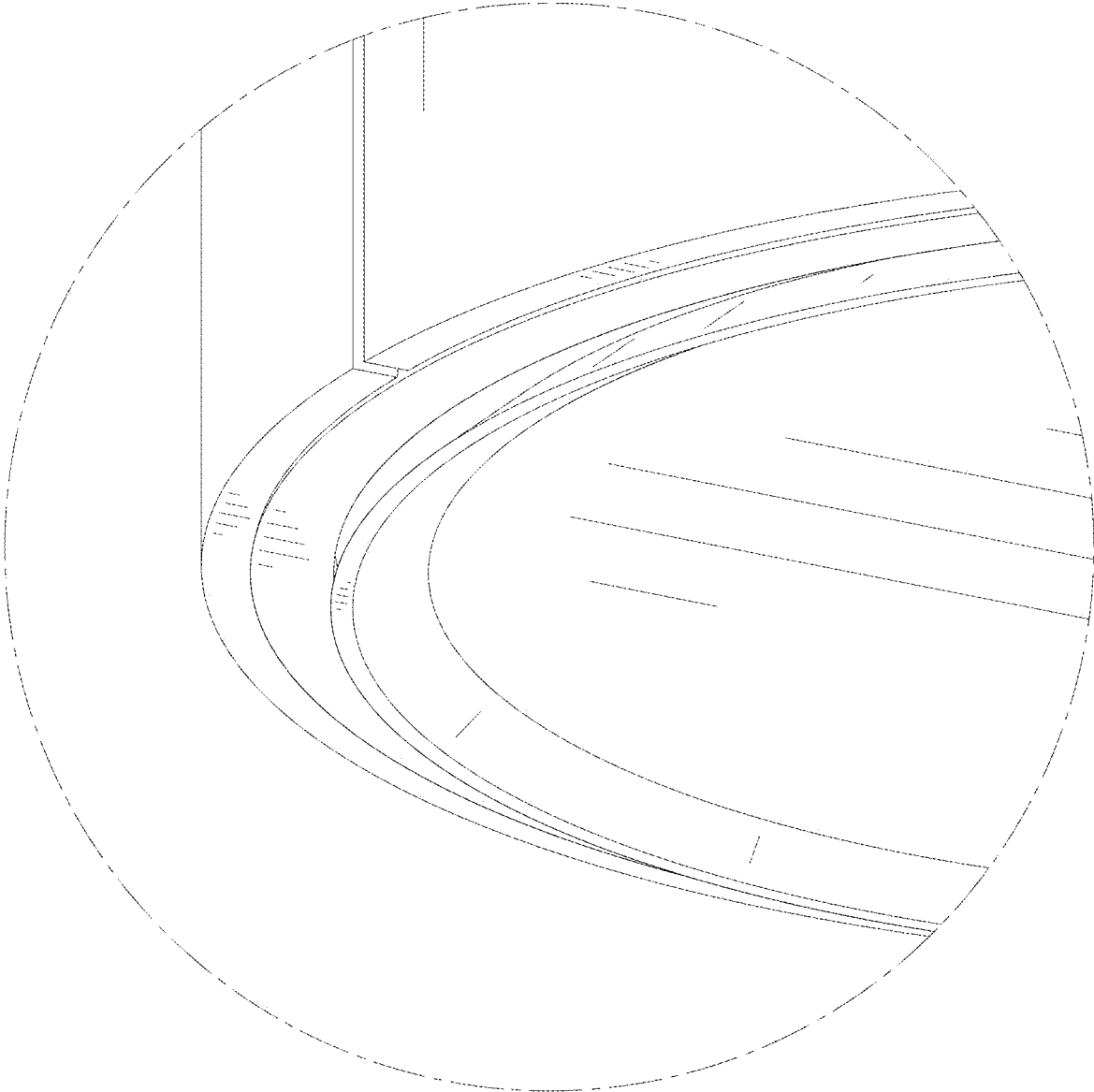


FIG. 10

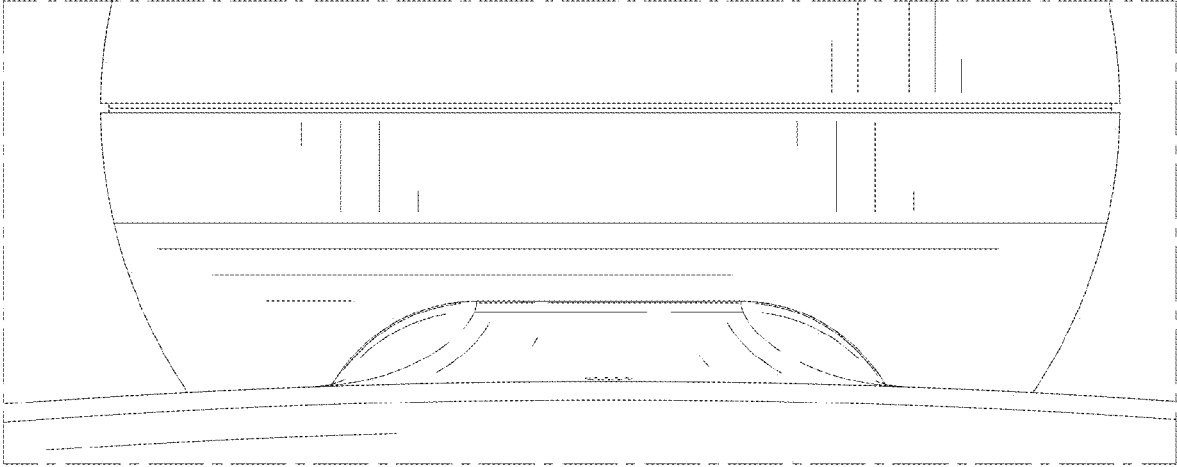


FIG. 11