



US00D910388S

(12) **United States Design Patent**  
**Tucker**

(10) **Patent No.:** **US D910,388 S**

(45) **Date of Patent:** **\*\* Feb. 16, 2021**

(54) **HEDGE TRIMMER**  
(71) Applicant: **Nanjing Chervon Industry Co., Ltd.,**  
Nanjing (CN)  
(72) Inventor: **Dane Tucker,** Grand Rapids, MI (US)  
(73) Assignee: **Nanjing Chervon Industry Co., Ltd.,**  
Nanjing (CN)  
(\*\*) Term: **15 Years**  
(21) Appl. No.: **29/640,531**

D712,212 S \* 9/2014 Zhang ..... D8/8  
D721,551 S \* 1/2015 Carl ..... D8/8  
D741,670 S \* 10/2015 Carl ..... D8/8  
D753,968 S \* 4/2016 Jiang ..... D8/8  
D776,501 S \* 1/2017 Tinius ..... D8/8  
D802,387 S \* 11/2017 Tinius ..... D8/8  
2016/0242365 A1\* 8/2016 Li ..... F16D 11/14

\* cited by examiner

*Primary Examiner* — Sandra Snapp  
*Assistant Examiner* — Ieisha N Price  
(74) *Attorney, Agent, or Firm* — Greenberg Traurig, LLP

(22) Filed: **Mar. 15, 2018**  
(30) **Foreign Application Priority Data**

Sep. 19, 2017 (CN) ..... 2017 3 0444147

(51) **LOC (13) Cl.** ..... **08-03**  
(52) **U.S. Cl.**  
USPC ..... **D8/8**

(58) **Field of Classification Search**  
USPC ..... D8/1, 7, 8, 9, 499; D15/1, 17  
CPC ..... A01G 3/06; A01G 3/053; A01G 3/067;  
A01G 3/0535; A01G 3/00; A01G 3/062;  
B27B 17/00; B25F 5/02  
See application file for complete search history.

(56) **References Cited**  
U.S. PATENT DOCUMENTS

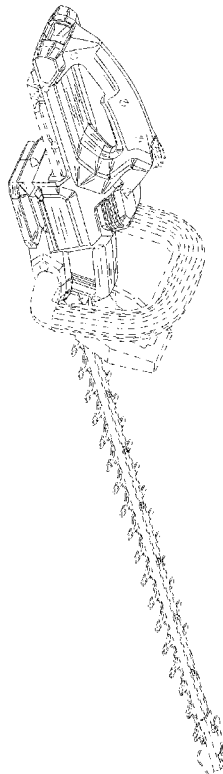
D649,845 S \* 12/2011 Yamamoto ..... D8/9  
D661,557 S \* 6/2012 Sweeney ..... D8/8

(57) **CLAIM**  
What is claimed is the ornamental design for a hedge trimmer, as shown and described.

**DESCRIPTION**

FIG. 1 is an enlarged right side elevational view of a hedge trimmer showing my new design; FIG. 2 is a left side elevational view thereof; FIG. 3 is an enlarged bottom plan view thereof; FIG. 4 is an enlarged top plan view thereof; FIG. 5 is an enlarged front elevational view thereof; FIG. 6 is an enlarged rear elevational view thereof; and, FIG. 7 is a perspective view thereof. The broken lines in the drawings illustrate portions of the hedge trimmer and form no part of the claimed design. Any surface shading is used solely to show the character or contour of the surfaces represented.

**1 Claim, 7 Drawing Sheets**



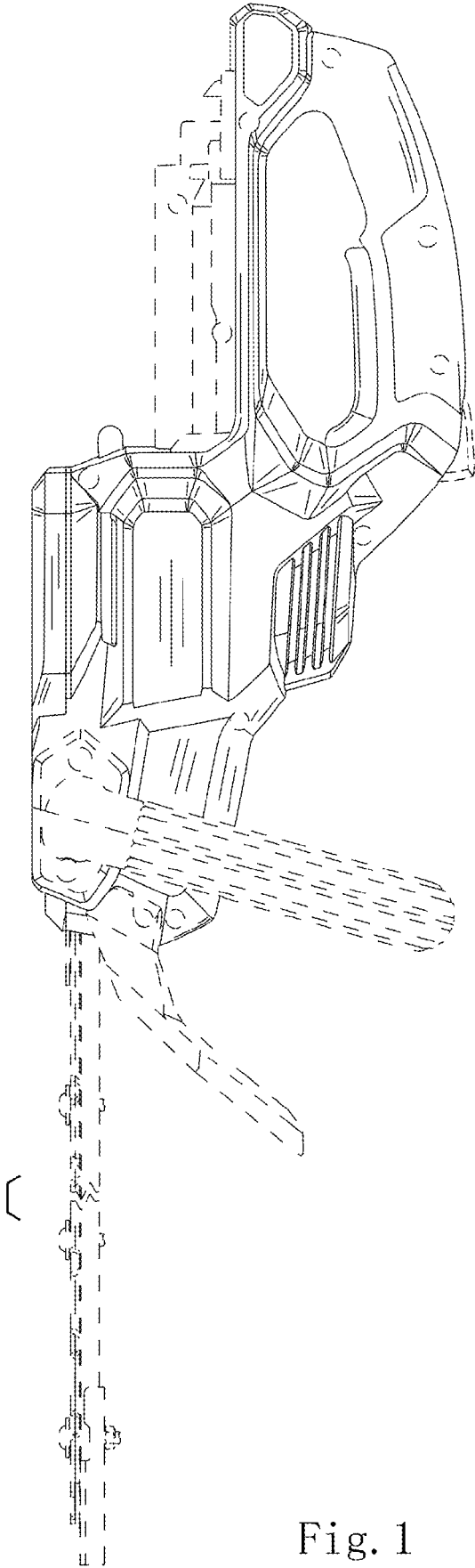


Fig. 1

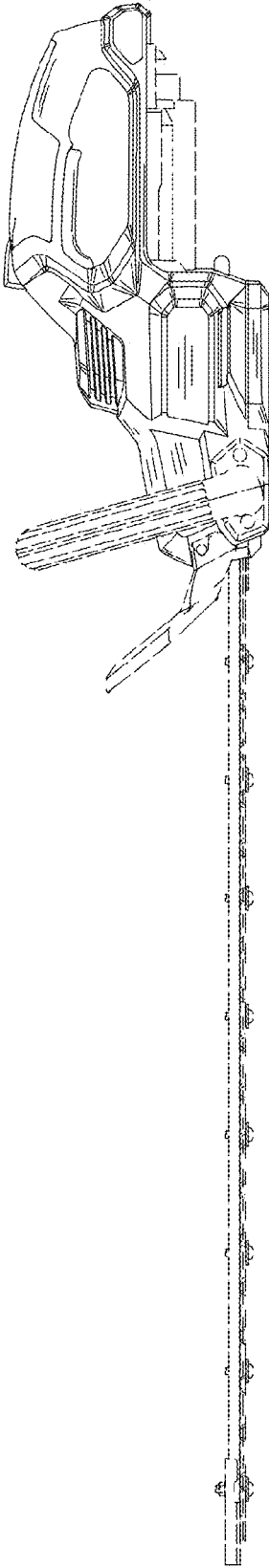


Fig. 2

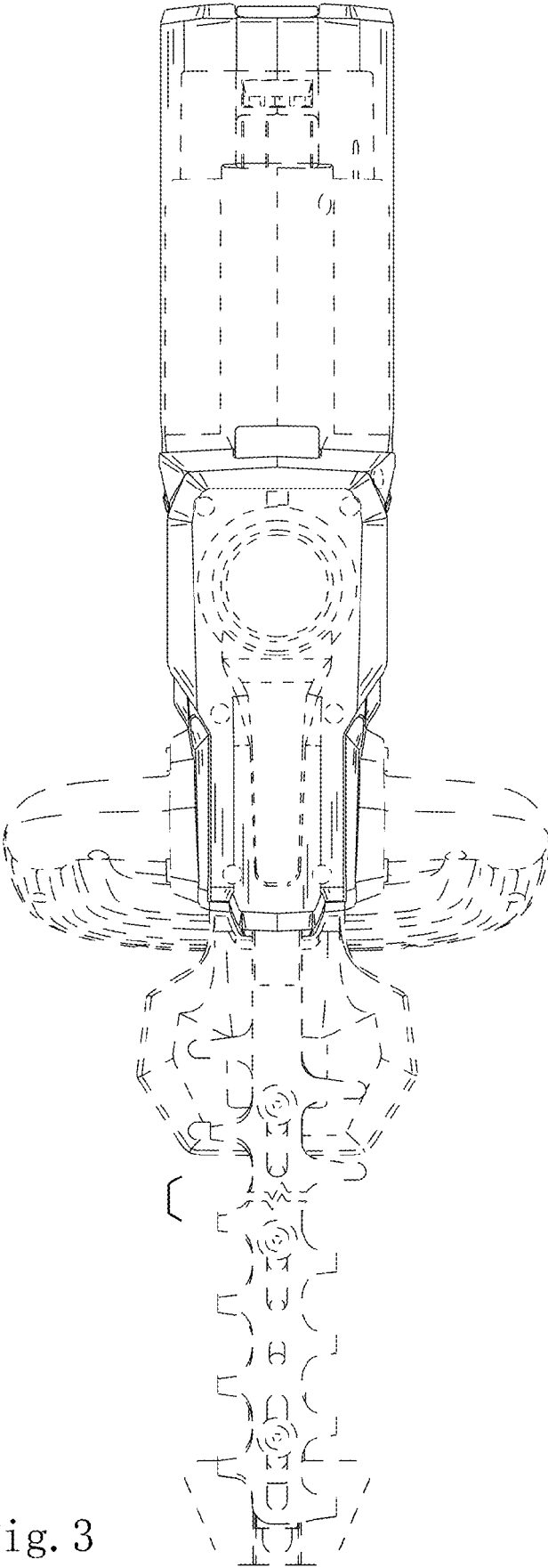


Fig. 3

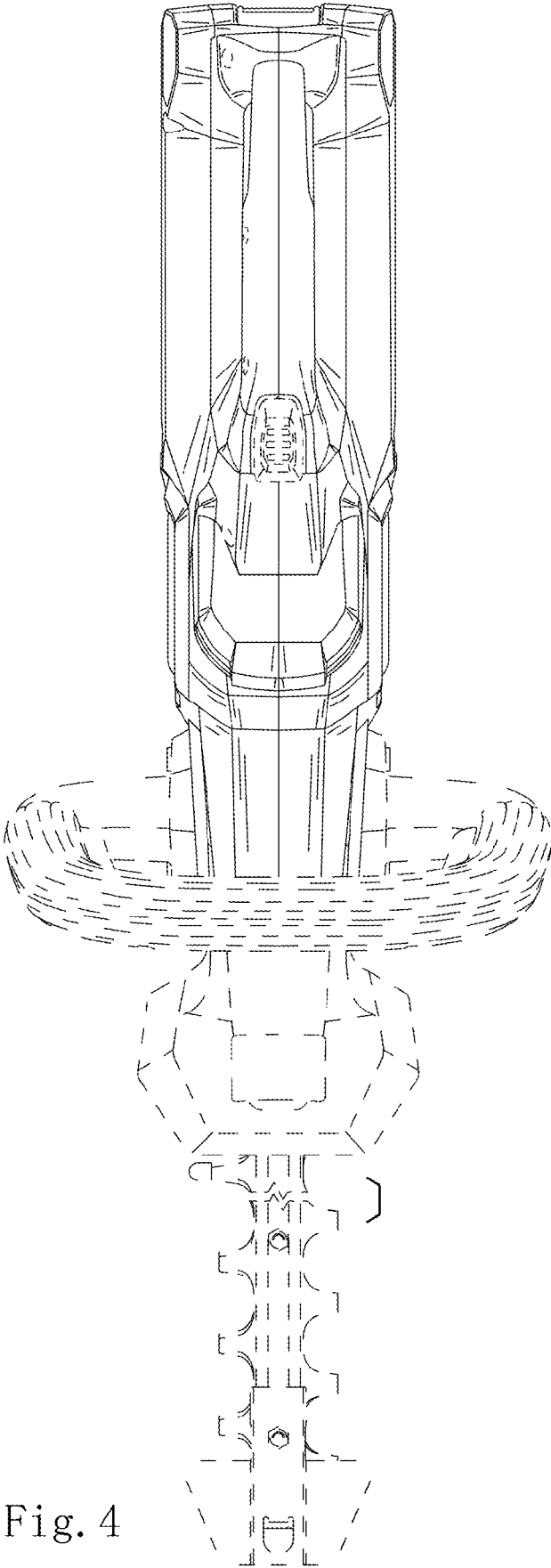


Fig. 4

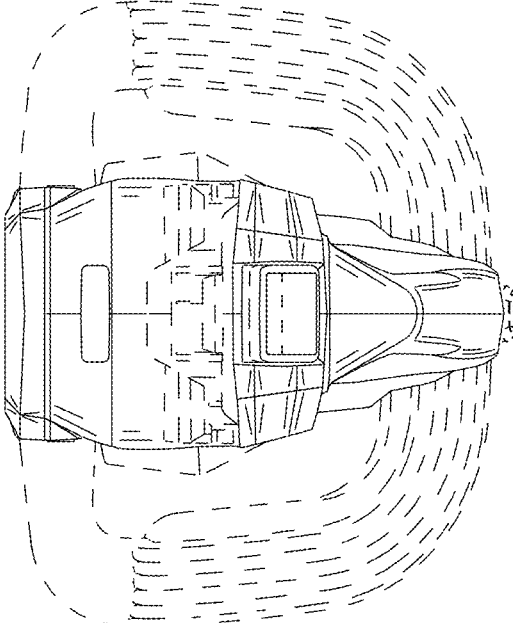


Fig. 5

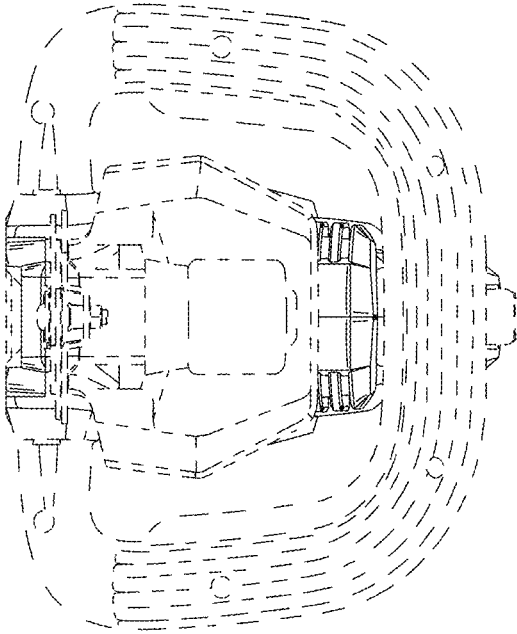


Fig. 6

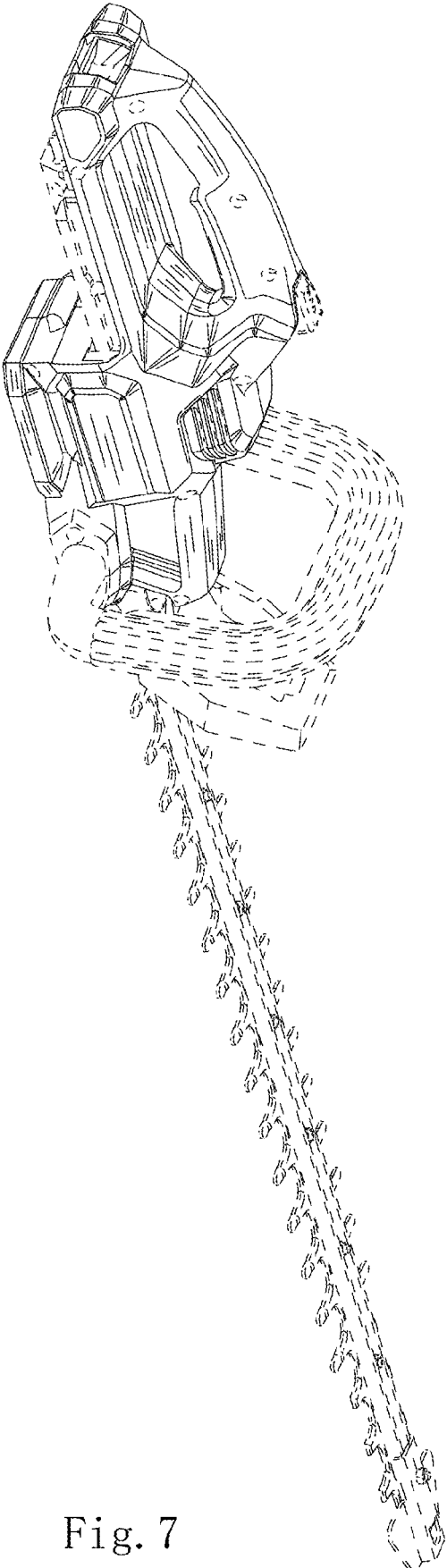


Fig. 7