



US0D1021237S

(12) **United States Design Patent**  
**Byrd et al.**

(10) **Patent No.:** **US D1,021,237 S**

(45) **Date of Patent:** **\*\* Apr. 2, 2024**

(54) **HAIR PARTING TOOL**

*Primary Examiner* — Alison M Ofstun

(71) Applicants: **Amber Nicole Byrd**, Jackson, TN (US); **Jabril Moses Edmondson**, Powder Springs, GA (US); **DeShun Alexander Gilchrist**, Warner Robins, GA (US)

(74) *Attorney, Agent, or Firm* — Asgaard Patent Services, LLC; F. Wayne Thompson, Jr.

(57) **CLAIM**

The ornamental design for a hair parting tool, as shown and described.

(72) Inventors: **Amber Nicole Byrd**, Jackson, TN (US); **Jabril Moses Edmondson**, Powder Springs, GA (US); **DeShun Alexander Gilchrist**, Warner Robins, GA (US)

**DESCRIPTION**

(73) Assignee: **Royalty Headwear, LLC**, Warner Robins, GA (US)

FIG. 1 is an isometric view showing a first embodiment of a hair parting tool according to the present disclosure; FIG. 2 is another isometric view of the hair parting tool shown in FIG. 1; FIG. 3 is a front elevational view of the hair parting tool shown in FIG. 1; FIG. 4 is a right side elevational view of the hair parting tool shown in FIG. 1; FIG. 5 is a rear elevational view of the hair parting tool shown in FIG. 1; FIG. 6 is a left side elevational view of the hair parting tool shown in FIG. 1; FIG. 7 is a top plan view of the hair parting tool shown in FIG. 1; FIG. 8 is a bottom plan view of the hair parting tool shown in FIG. 1; FIG. 9 is an isometric view showing a second embodiment of the hair parting tool according to the present disclosure; FIG. 10 is another isometric view of the hair parting tool shown in FIG. 9; FIG. 11 is a front elevational view of the hair parting tool shown in FIG. 9; FIG. 12 is a right side elevational view of the hair parting tool shown in FIG. 9; FIG. 13 is a rear elevational view of the hair parting tool shown in FIG. 9; FIG. 14 is a left side elevational view of the hair parting tool shown in FIG. 9; FIG. 15 is a top plan view of the hair parting tool shown in FIG. 9; and, FIG. 16 is a bottom plan view of the hair parting tool shown in FIG. 9.

(\*\*) Term: **15 Years**

(21) Appl. No.: **29/841,017**

(22) Filed: **Jun. 2, 2022**

(51) **LOC (14) Cl.** ..... **28-03**

(52) **U.S. Cl.**  
USPC ..... **D28/10**

(58) **Field of Classification Search**  
USPC ..... D28/9, 10, 21, 25, 31, 32, 39, 41–43, 99  
(Continued)

(56) **References Cited**

**U.S. PATENT DOCUMENTS**

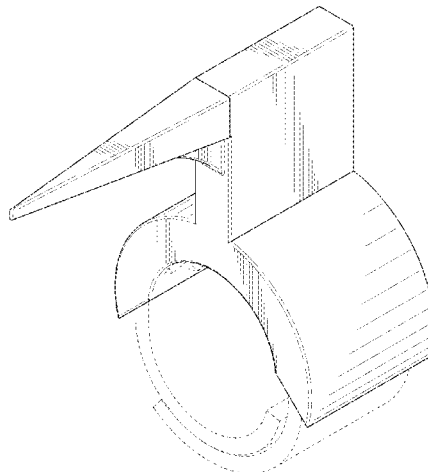
2,155,917 A \* 4/1939 Williamson ..... A45D 24/34  
132/212  
2,467,975 A \* 4/1949 Hollen ..... A45D 2/42  
132/161

(Continued)

**OTHER PUBLICATIONS**

I tried a New Stitch Braid Method and this happened . . . ft. the Braid Aid—YouTube, published on Apr. 16, 2022, retrieved on Jul. 20, 2023. retrieved from: <https://www.youtube.com/watch?v=MMLTzabOjo0>.\*

(Continued)



The broken lines in the figures represent portions of the hair parting tool that form no part of the claimed design.

**1 Claim, 16 Drawing Sheets**

**(58) Field of Classification Search**

CPC ..... A45D 8/14; A45D 8/34; A45D 2007/004;  
A45D 2024/345; A45D 24/34

See application file for complete search history.

**(56) References Cited**

U.S. PATENT DOCUMENTS

2,568,898	A *	9/1951	Phillips .....	A45D 24/14
				D28/21
D246,539	S *	11/1977	Nizetich .....	D28/18
7,231,925	B1 *	6/2007	Wall .....	A45D 24/02
				132/156
D648,072	S *	11/2011	Freeman .....	D28/21
8,505,550	B2 *	8/2013	Velazquez .....	A45D 44/02
				362/115
D946,824	S *	3/2022	Hinds .....	D28/10
D959,054	S *	7/2022	Boatman-Tate .....	D28/25
2013/0000664	A1 *	1/2013	Velazquez .....	A45D 24/34
				132/271
2018/0228264	A1 *	8/2018	Acosta-Conley .....	A45D 24/34

\* cited by examiner

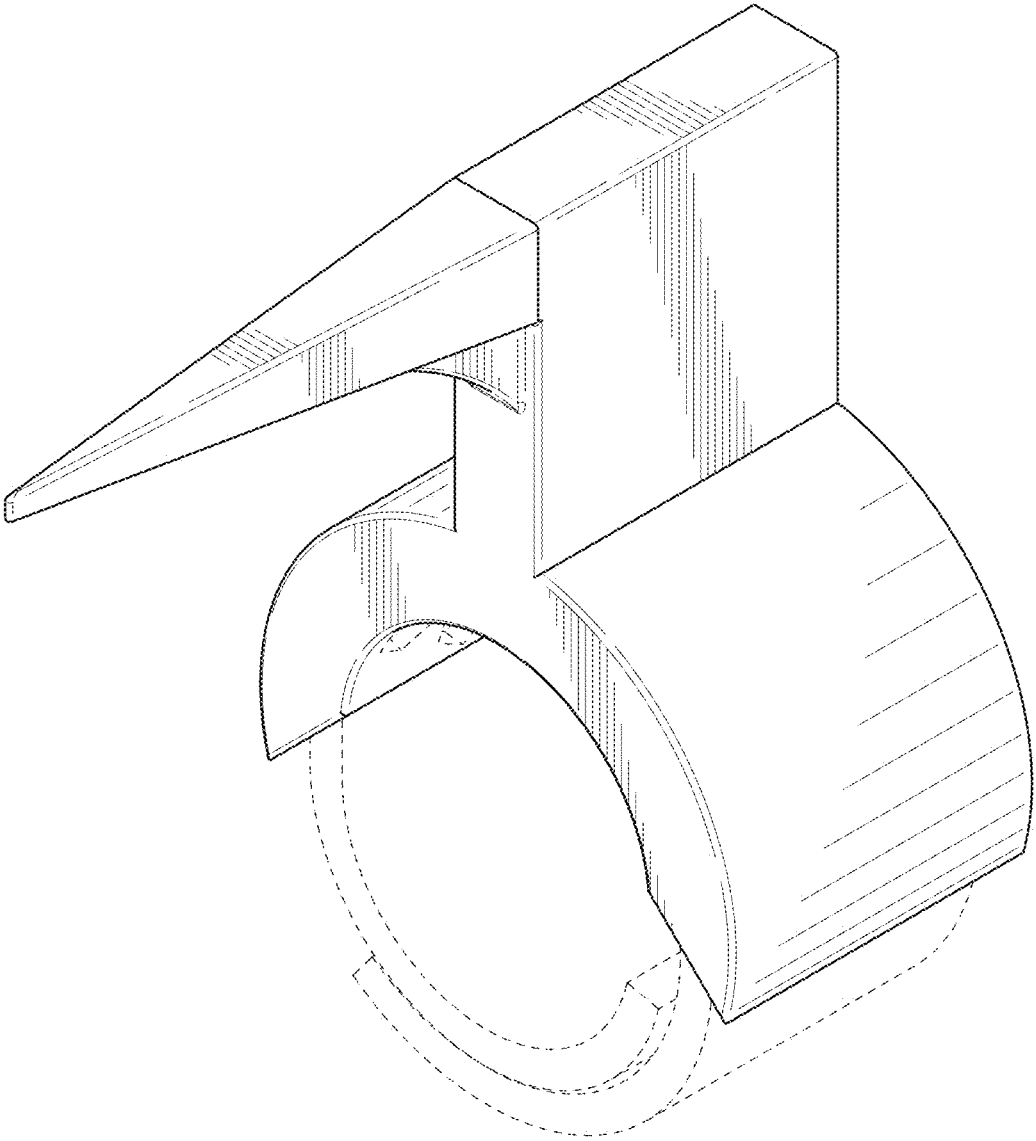


FIG. 1

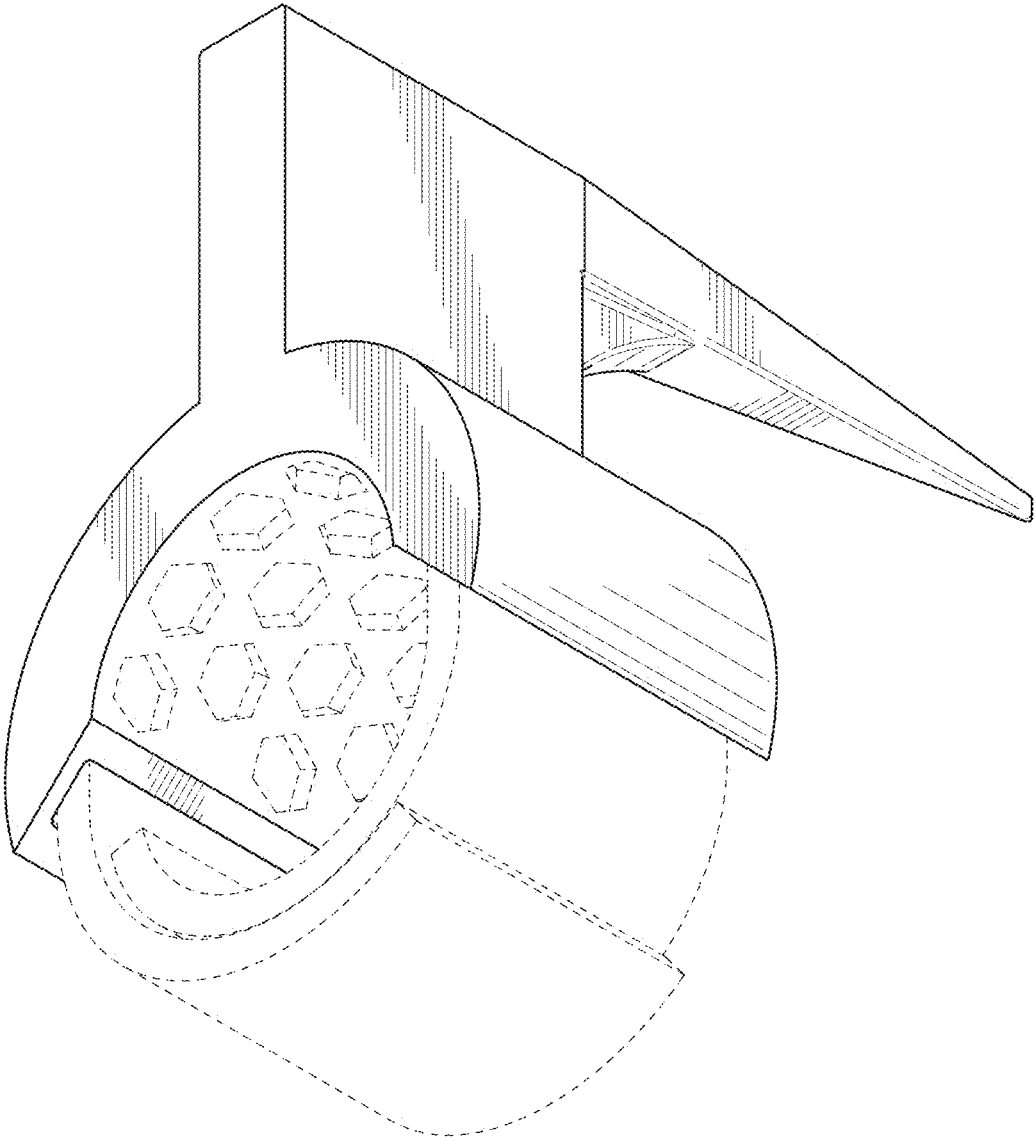


FIG. 2

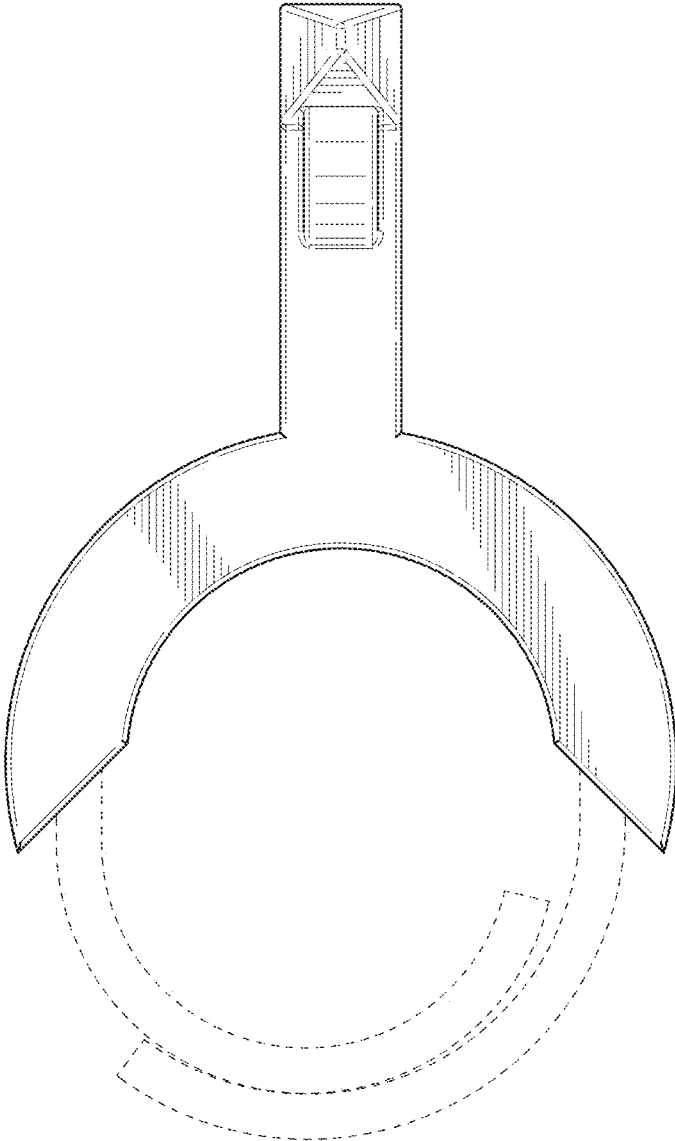


FIG. 3

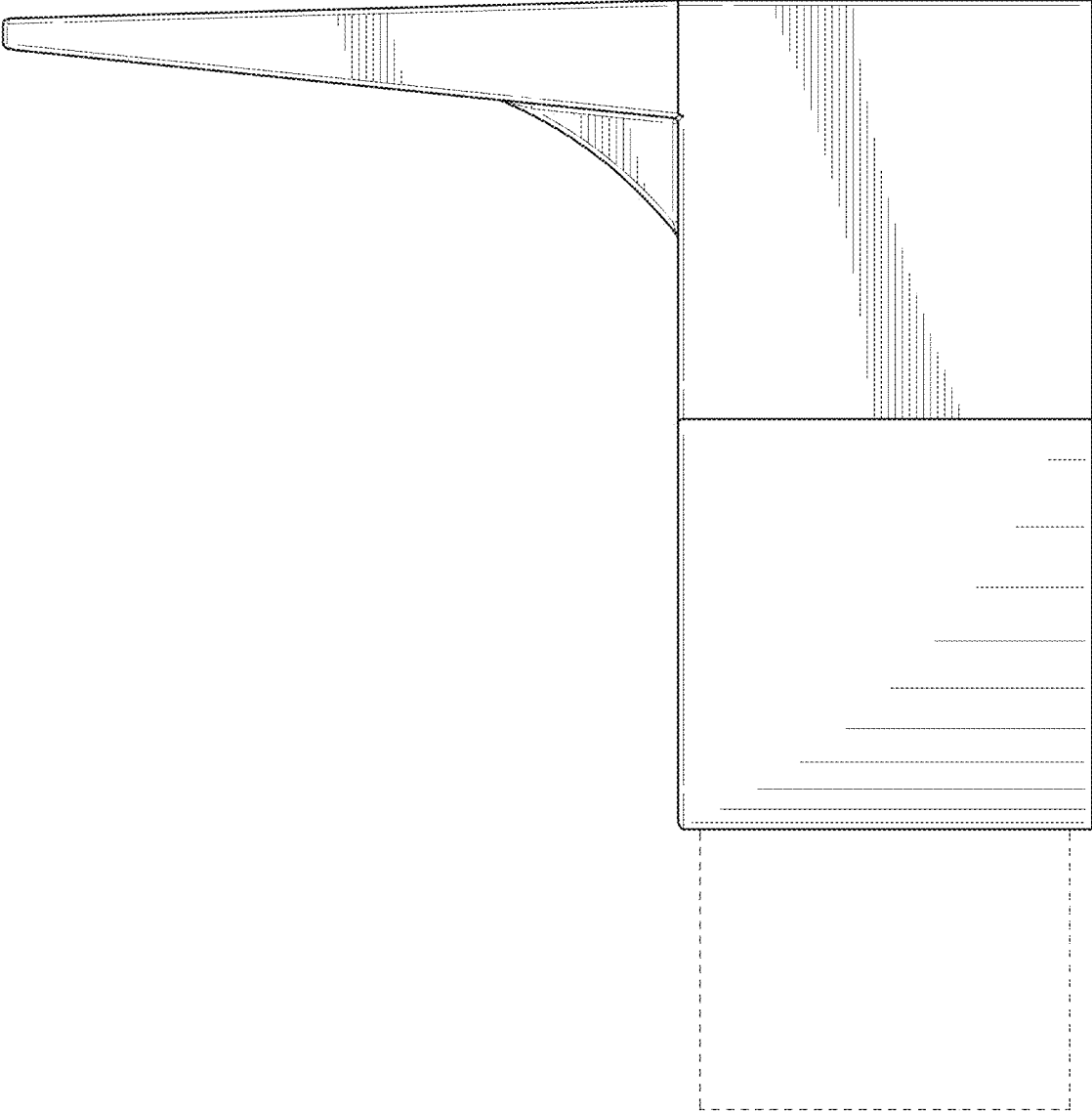


FIG. 4

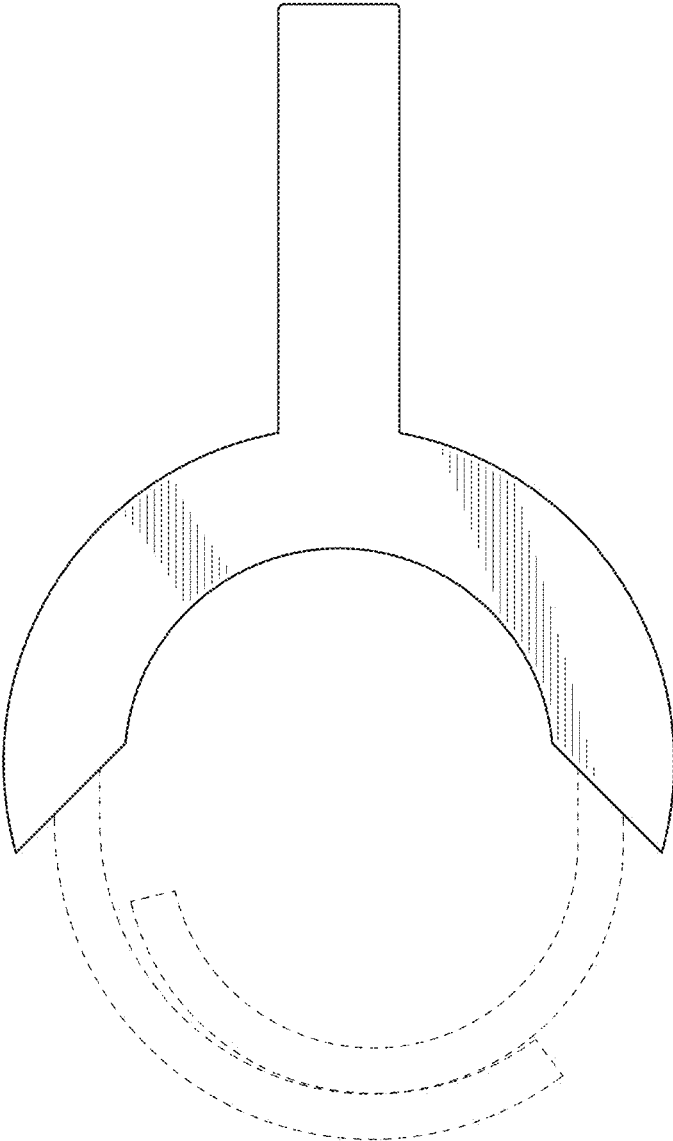


FIG. 5

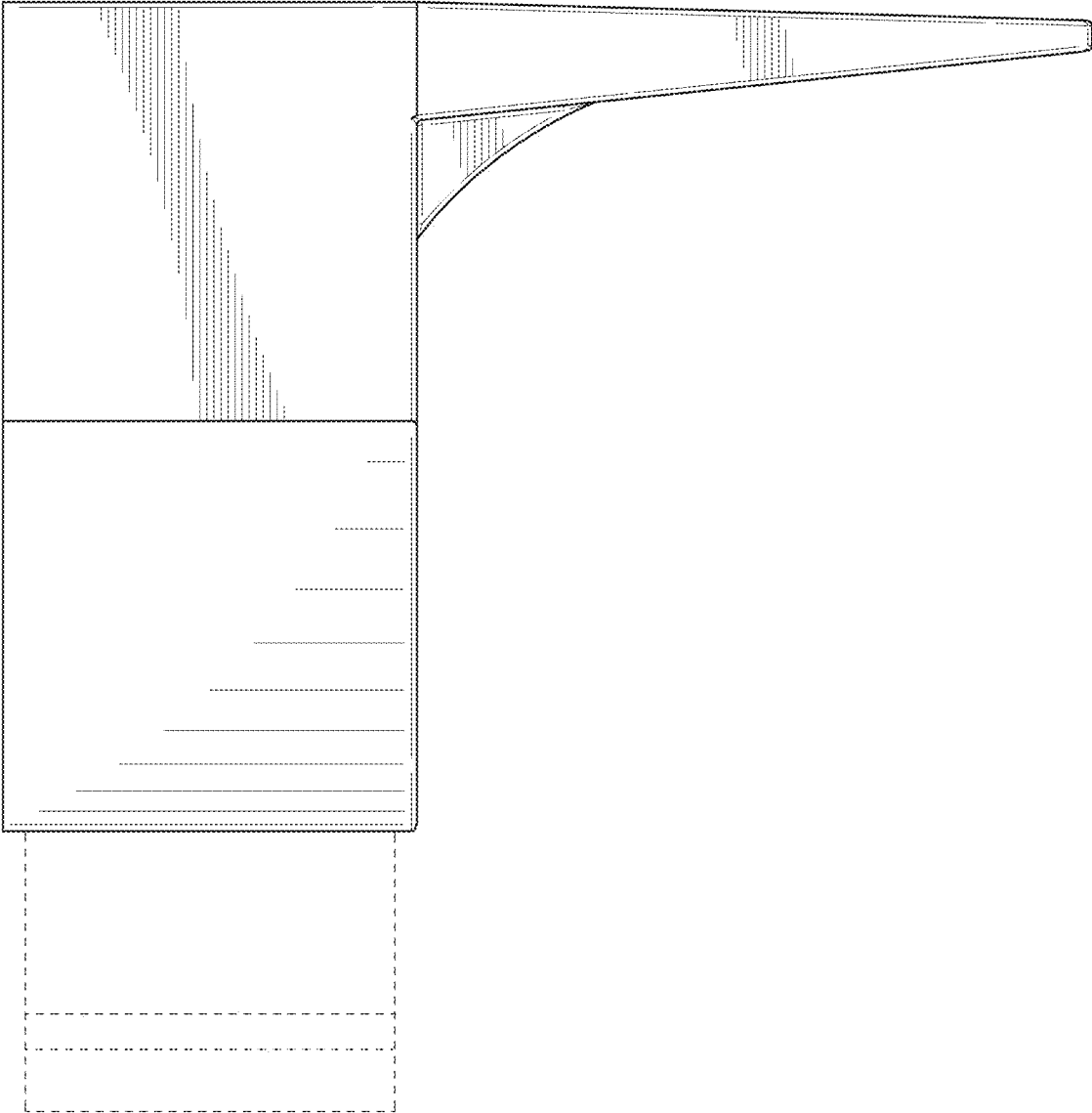


FIG. 6

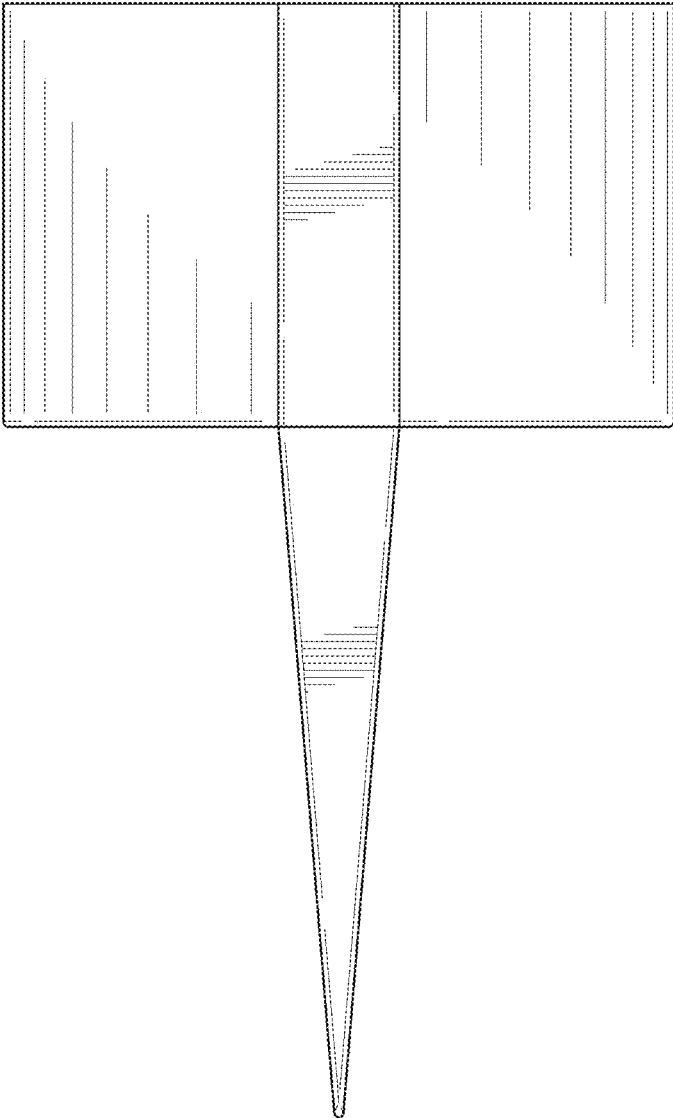


FIG. 7

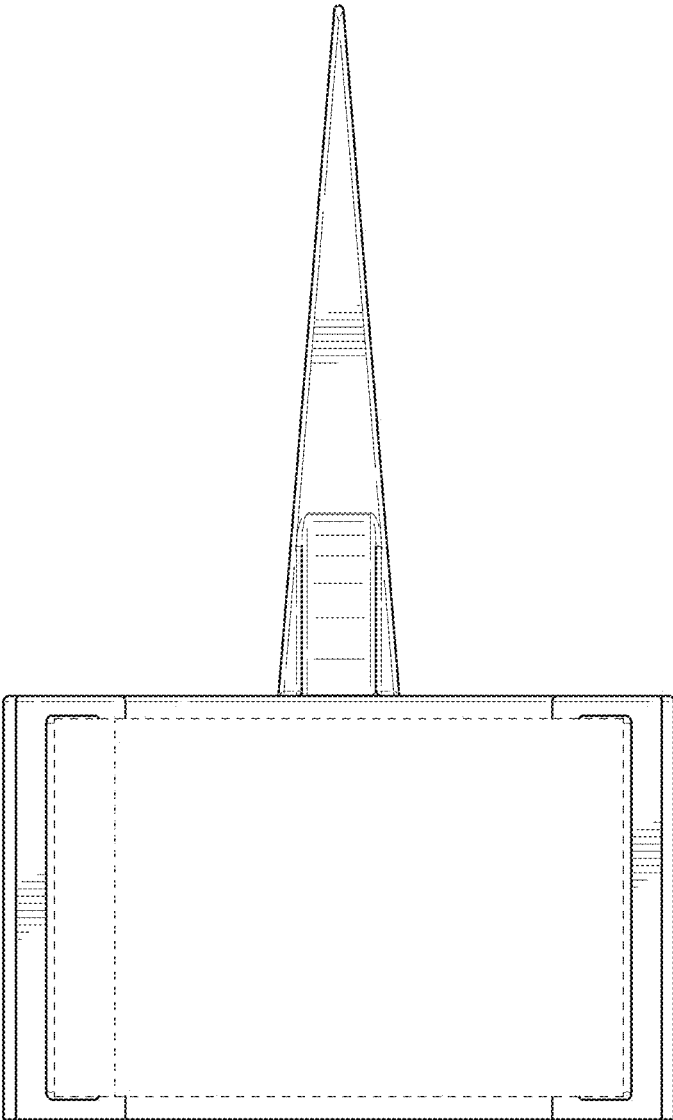


FIG. 8

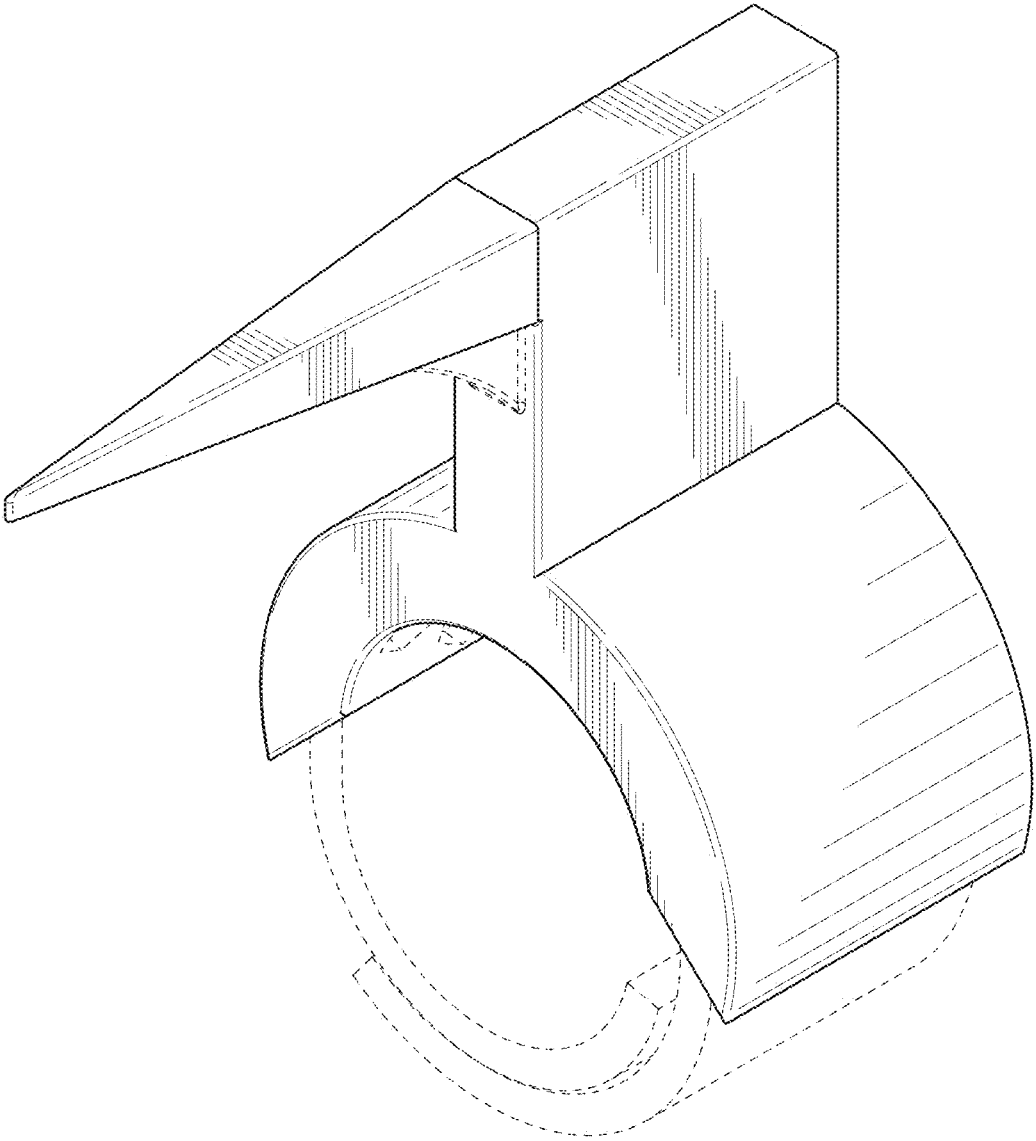


FIG. 9

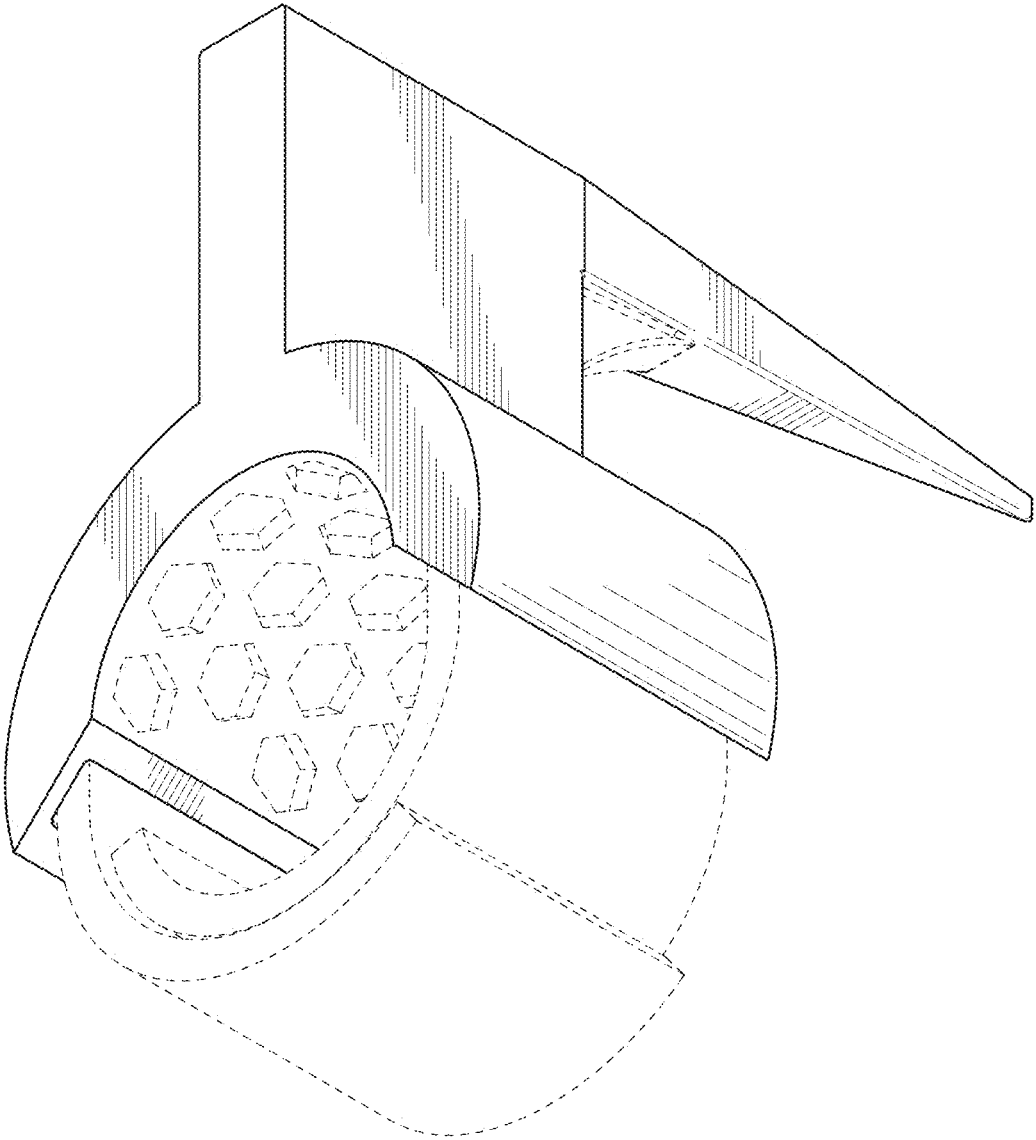


FIG. 10

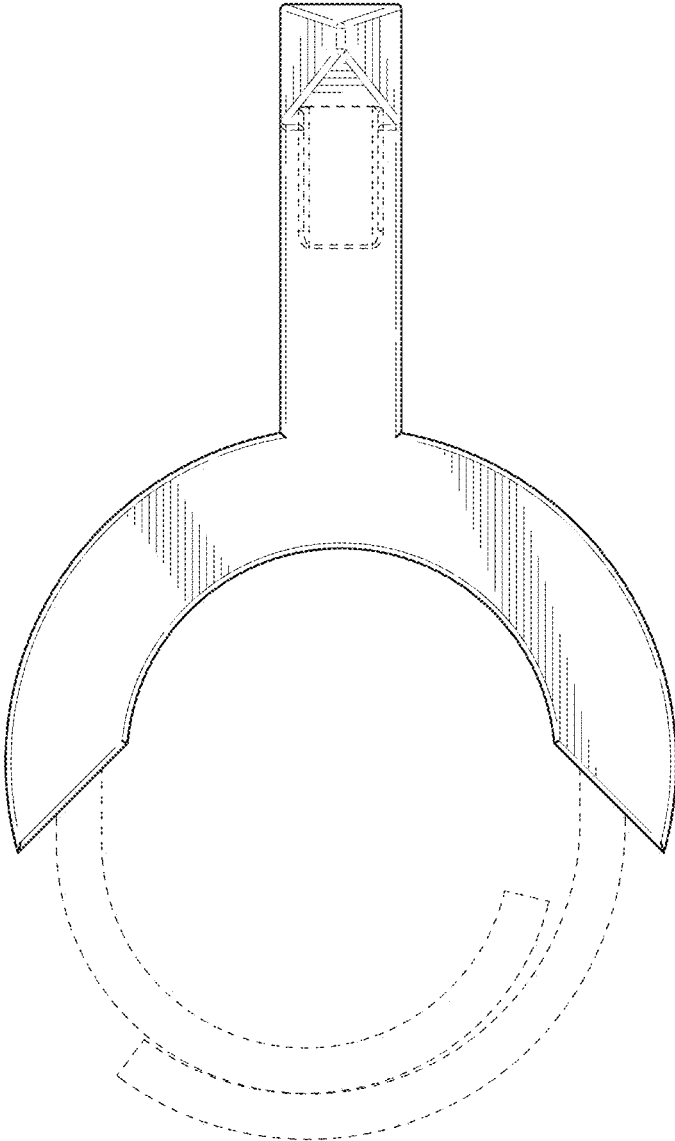


FIG. 11

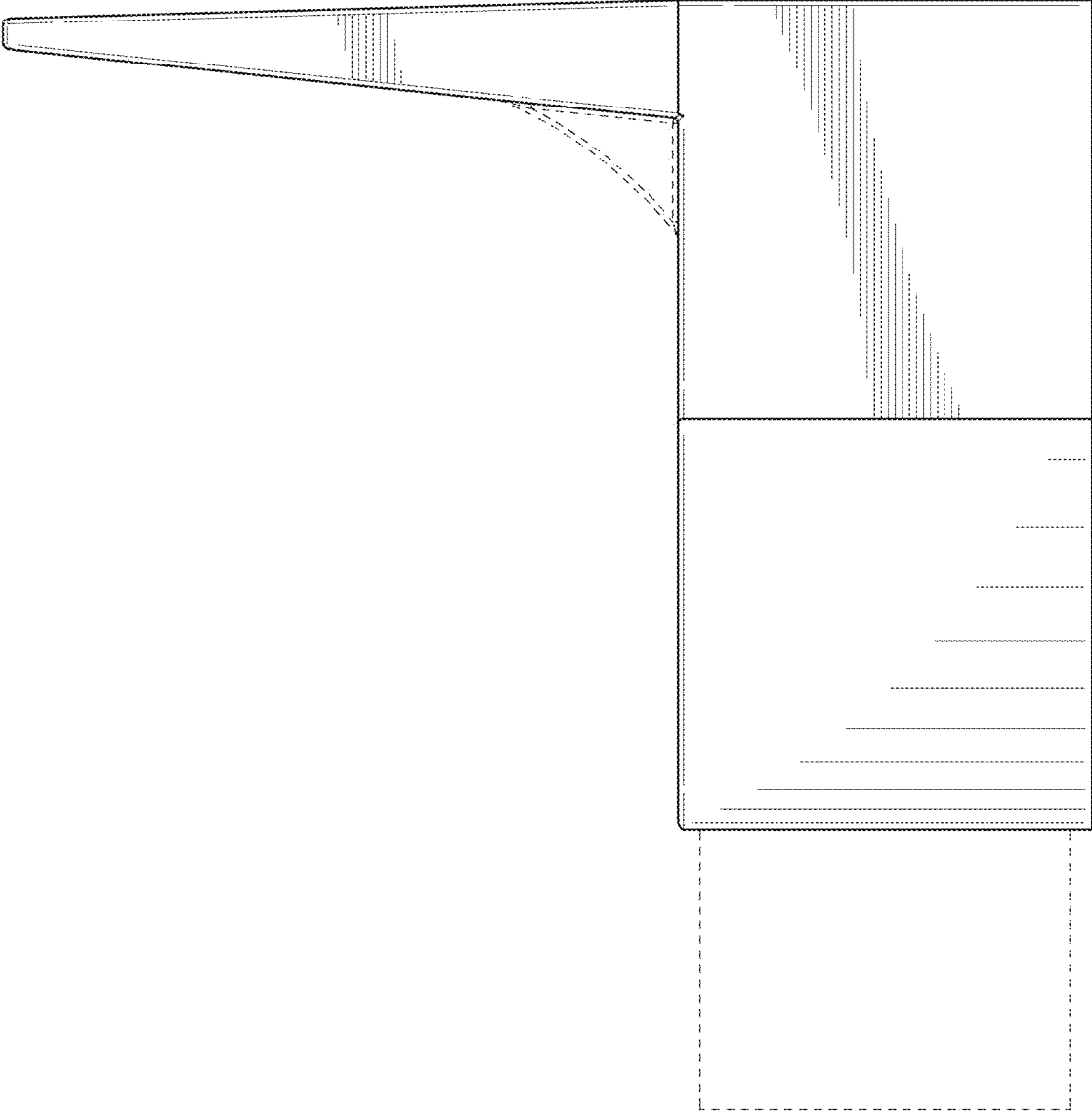


FIG. 12

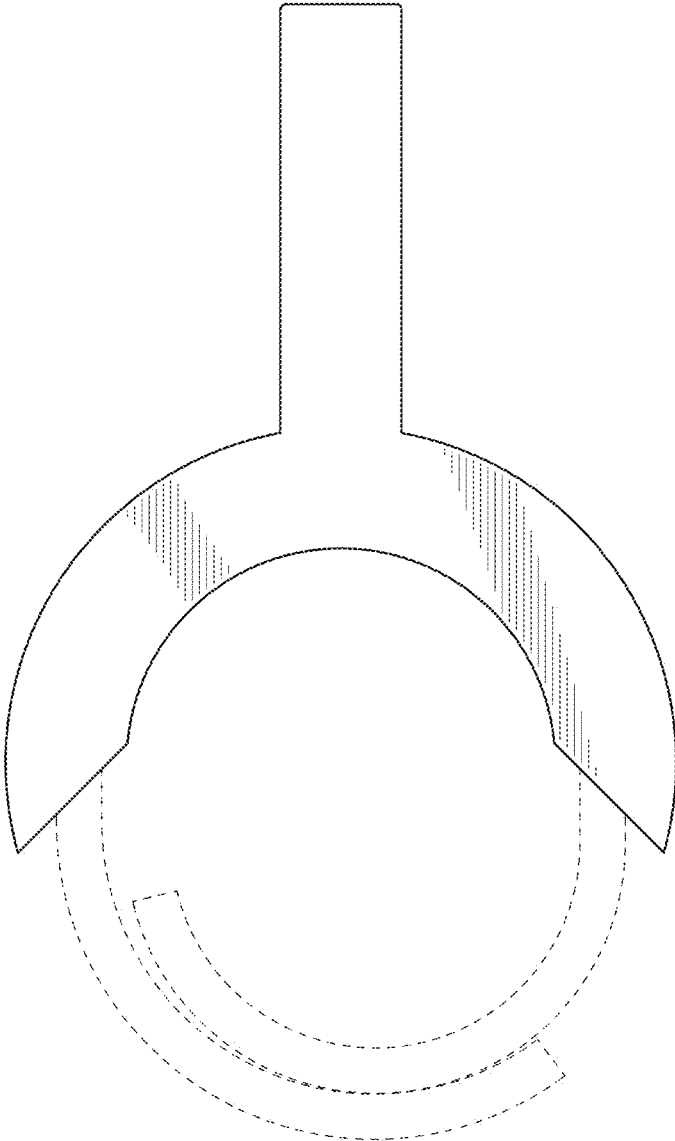


FIG. 13

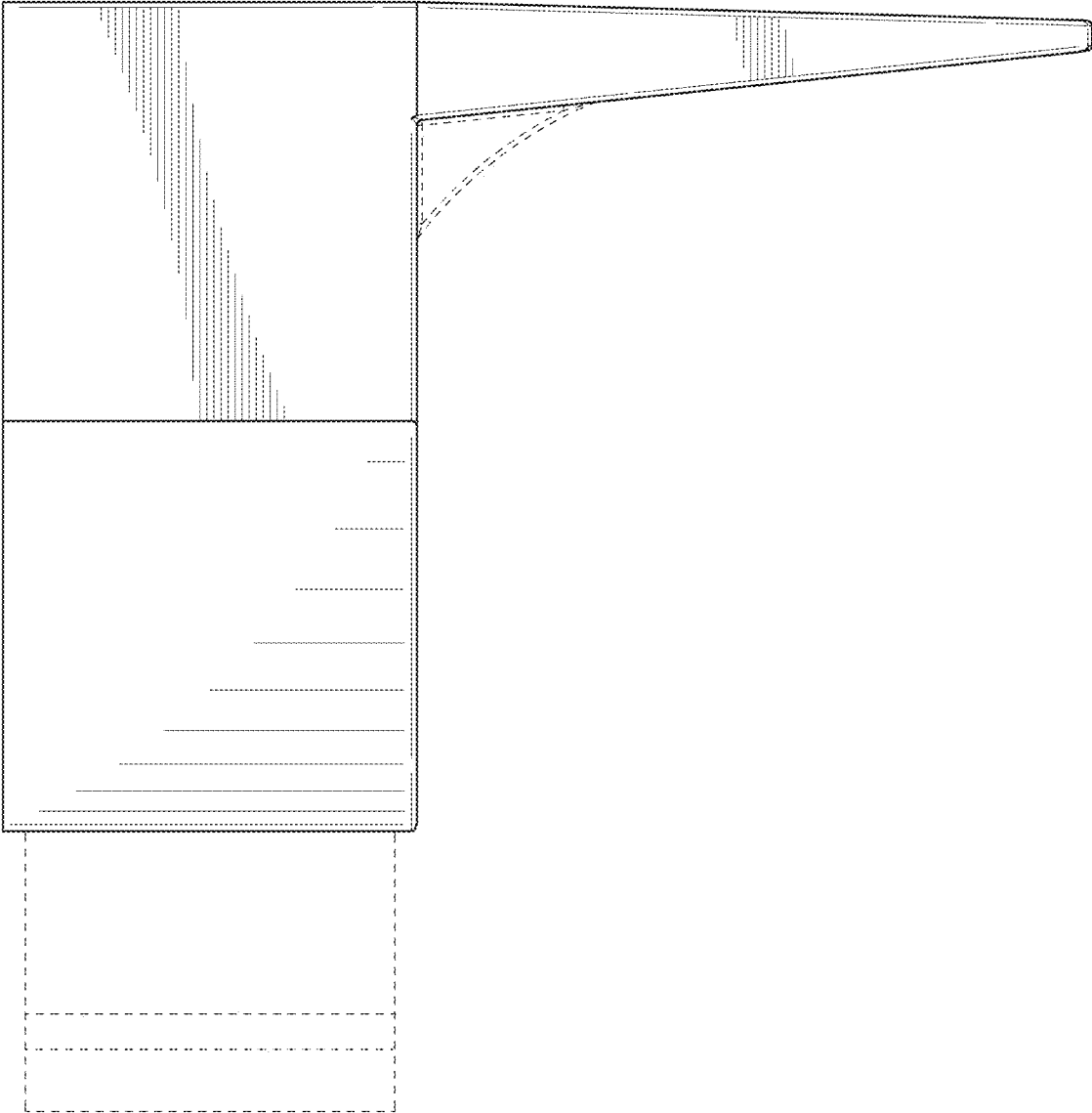


FIG. 14

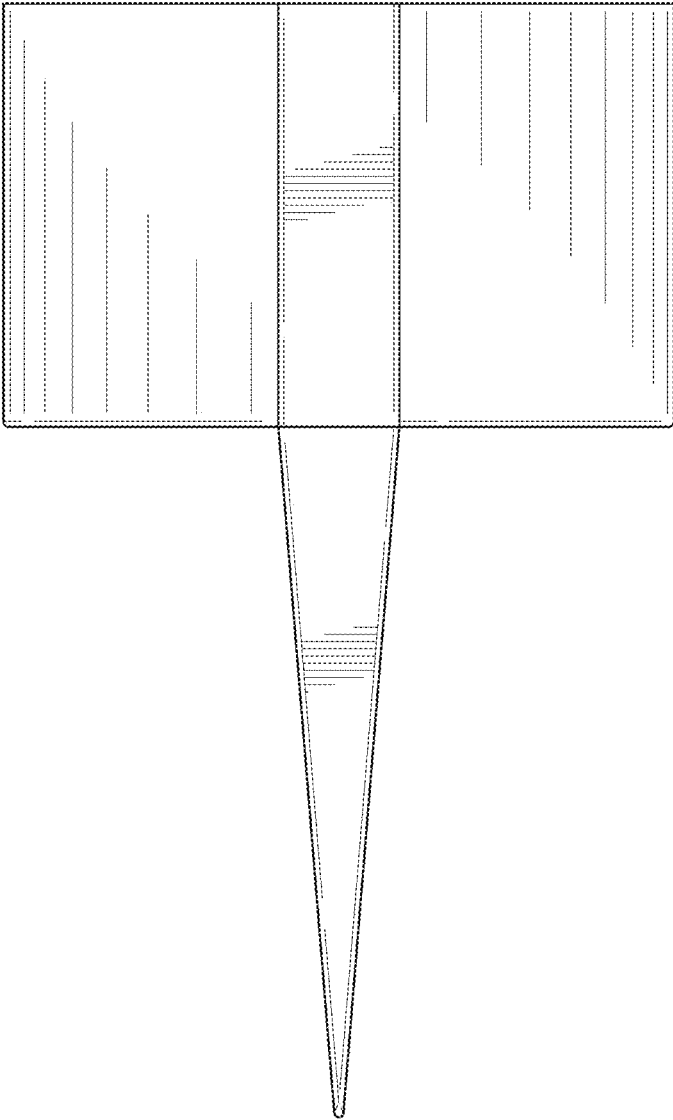


FIG. 15

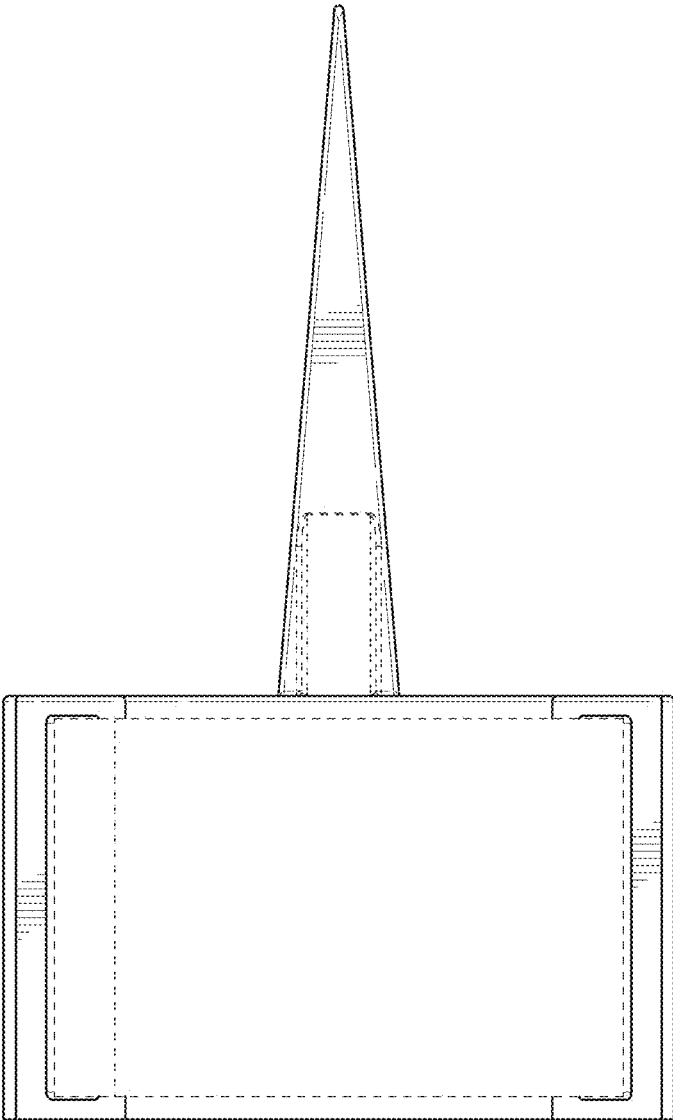


FIG. 16