



(43) International Publication Date
15 January 2015 (15.01.2015)

(51) International Patent Classification:
G06Q 10/06 (2012.01)

(21) International Application Number:
PCT/US2014/043560

(22) International Filing Date:
23 June 2014 (23.06.2014)

(25) Filing Language: English

(26) Publication Language: English

(30) Priority Data:
13/940,388 12 July 2013 (12.07.2013) US

(71) Applicant: PANDUIT CORP. [US/US]; 18900 Panduit Drive, Tinley Park, Illinois 60487 (US).

(72) Inventor: KOZAK, Thomas A.; 8913 Turnberry Lane, Tinley Park, Illinois 60487 (US).

(74) Agents: CLANCY, Christopher S. et al.; Panduit Corp., Legal Department 6200 West 175th Street, Tinley Park, Illinois 60477 (US).

(81) Designated States (unless otherwise indicated, for every kind of national protection available): AE, AG, AL, AM, AO, AT, AU, AZ, BA, BB, BG, BH, BN, BR, BW, BY,

BZ, CA, CH, CL, CN, CO, CR, CU, CZ, DE, DK, DM, DO, DZ, EC, EE, EG, ES, FI, GB, GD, GE, GH, GM, GT, HN, HR, HU, ID, IL, IN, IR, IS, JP, KE, KG, KN, KP, KR, KZ, LA, LC, LK, LR, LS, LT, LU, LY, MA, MD, ME, MG, MK, MN, MW, MX, MY, MZ, NA, NG, NI, NO, NZ, OM, PA, PE, PG, PH, PL, PT, QA, RO, RS, RU, RW, SA, SC, SD, SE, SG, SK, SL, SM, ST, SV, SY, TH, TJ, TM, TN, TR, TT, TZ, UA, UG, US, UZ, VC, VN, ZA, ZM, ZW.

(84) Designated States (unless otherwise indicated, for every kind of regional protection available): ARIPO (BW, GH, GM, KE, LR, LS, MW, MZ, NA, RW, SD, SL, SZ, TZ, UG, ZM, ZW), Eurasian (AM, AZ, BY, KG, KZ, RU, TJ, TM), European (AL, AT, BE, BG, CH, CY, CZ, DE, DK, EE, ES, FI, FR, GB, GR, HR, HU, IE, IS, IT, LT, LU, LV, MC, MK, MT, NL, NO, PL, PT, RO, RS, SE, SI, SK, SM, TR), OAPI (BF, BJ, CF, CG, CI, CM, GA, GN, GQ, GW, KM, ML, MR, NE, SN, TD, TG).

Published:

— with international search report (Art. 21(3))

(88) Date of publication of the international search report:
30 July 2015

(54) Title: SUPPLY CHAIN SYSTEMS AND METHODS OF USE

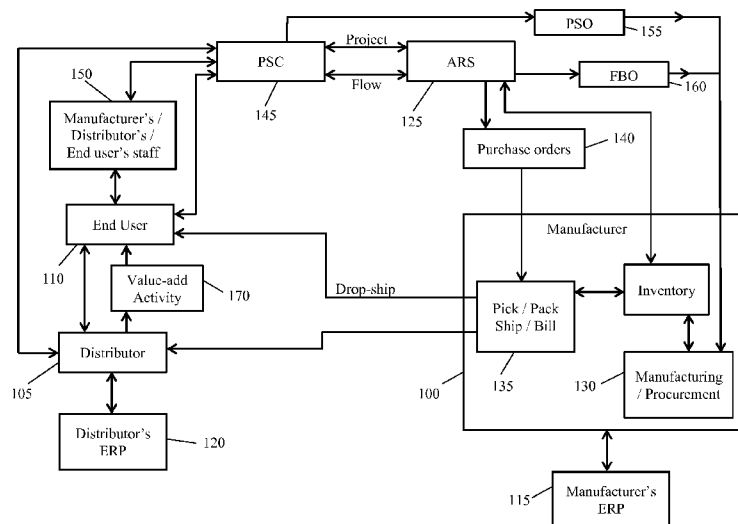


Fig. 2

(57) Abstract: The present invention generally relates to the field of supply chain management, and more specifically, to methods and systems for improving product flow between parties such as manufacturers, distributors, and end users. In one embodiment, the present invention identifies, captures, and integrates future project business needs into the manufacturer's procurement / production processes. This may allow the manufacturer to meet supply chain needs regardless of the demand history or sales velocity of a product.



WO 2015/006035 A3

A. CLASSIFICATION OF SUBJECT MATTER**G06Q 10/06(2012.01)i**

According to International Patent Classification (IPC) or to both national classification and IPC

B. FIELDS SEARCHEDMinimum documentation searched (classification system followed by classification symbols)
G06Q 10/06; G06F 17/50; G06F 9/44; G06F 17/60; G06Q 10/08Documentation searched other than minimum documentation to the extent that such documents are included in the fields searched
Korean utility models and applications for utility models
Japanese utility models and applications for utility modelsElectronic data base consulted during the international search (name of data base and, where practicable, search terms used)
eKOMPASS(KIPO internal) & Keywords: supply chain, manufacturer, replenishment, future, order, demand, optimization**C. DOCUMENTS CONSIDERED TO BE RELEVANT**

Category*	Citation of document, with indication, where appropriate, of the relevant passages	Relevant to claim No.
X	US 2004-0162768 A1 (AARON FRANCIS SNYDER et al.) 19 August 2004 See abstract, paragraphs [0038],[0048],[0057],[0064],[0072]-[0075], claims 1, 4,6,16 and figures 1-4.	1-20
A	US 2013-0041785 A1 (RAYMOND YOUNG) 14 February 2013 See abstract, claims 1,12-15 and figures 1,5.	1-20
A	US 2002-0174001 A1 (DEAN HENRY) 21 November 2002 See abstract, paragraphs [0005],[0010]-[0012] and claims 1-2,5-6.	1-20
A	US 2007-0168240 A1 (SHAI ALFANDARY et al.) 19 July 2007 See abstract, claims 11,17 and figure 1.	1-20
A	US 2003-0074283 A1 (JEN-FU LEE et al.) 17 April 2003 See abstract, claims 1,3 and figure 3.	1-20

 Further documents are listed in the continuation of Box C. See patent family annex.

* Special categories of cited documents:

"A" document defining the general state of the art which is not considered to be of particular relevance

"E" earlier application or patent but published on or after the international filing date

"L" document which may throw doubts on priority claim(s) or which is cited to establish the publication date of another citation or other special reason (as specified)

"O" document referring to an oral disclosure, use, exhibition or other means

"P" document published prior to the international filing date but later than the priority date claimed

"T" later document published after the international filing date or priority date and not in conflict with the application but cited to understand the principle or theory underlying the invention

"X" document of particular relevance; the claimed invention cannot be considered novel or cannot be considered to involve an inventive step when the document is taken alone

"Y" document of particular relevance; the claimed invention cannot be considered to involve an inventive step when the document is combined with one or more other such documents, such combination being obvious to a person skilled in the art

"&" document member of the same patent family

Date of the actual completion of the international search

27 April 2015 (27.04.2015)

Date of mailing of the international search report

27 April 2015 (27.04.2015)

Name and mailing address of the ISA/KR

International Application Division
Korean Intellectual Property Office
189 Cheongsu-ro, Seo-gu, Daejeon Metropolitan City, 302-701,
Republic of Korea

Facsimile No. ++82 42 472 7140

Authorized officer

Jang, Gijeong

Telephone No. +82-42-481-8364



INTERNATIONAL SEARCH REPORT

Information on patent family members

International application No.

PCT/US2014/043560

Patent document cited in search report	Publication date	Patent family member(s)	Publication date
US 2004-0162768 A1	19/08/2004	None	
US 2013-0041785 A1	14/02/2013	CA 2576289 A1 CN 101010686 A EP 1787249 A2 EP 1787249 A4 US 2005-283404 A1 US 2007-260524 A1 US 2011-071928 A1 US 7848967 B2 US 8266020 B2 US 8355944 B2 US 8725599 B2 WO 2006-028952 A2 WO 2006-028952 A3 WO 2006-028952 B1	16/03/2006 01/08/2007 23/05/2007 09/06/2010 22/12/2005 08/11/2007 24/03/2011 07/12/2010 11/09/2012 15/01/2013 13/05/2014 16/03/2006 06/07/2006 17/08/2006
US 2002-0174001 A1	21/11/2002	EP 1255214 A2 EP 1255214 A3 GB 0110085 D0	06/11/2002 30/07/2003 20/06/2001
US 2007-0168240 A1	19/07/2007	US 8402426 B2 WO 2007-077011 A1	19/03/2013 12/07/2007
US 2003-0074283 A1	17/04/2003	GB 0123067 D0 GB 2380272 A	14/11/2001 02/04/2003