



US00D998673S

(12) **United States Design Patent**  
**Costa**

(10) **Patent No.:** **US D998,673 S**

(45) **Date of Patent:** **\*\* Sep. 12, 2023**

(54) **BINOCULAR NIGHT VISION DEVICE HOUSING**

(71) Applicant: **ACTinBlack Europe SARL**, Foetz (LU)

(72) Inventor: **João Costa**, Foetz (LU)

(73) Assignee: **Lumiworx SARL**, Luxembourg (LU)

(\*\*) Term: **15 Years**

(21) Appl. No.: **29/770,708**

(22) Filed: **Feb. 16, 2021**

(51) **LOC (14) Cl.** ..... **16-06**

(52) **U.S. Cl.**  
USPC ..... **D16/133**

(58) **Field of Classification Search**  
USPC ..... D16/130, 133, 131, 134, 135, 136, 200;  
D22/108, 109  
CPC .. G02B 7/06; G02B 23/00; F41G 1/32; F41G  
11/001  
See application file for complete search history.

(56) **References Cited**

**U.S. PATENT DOCUMENTS**

D484,519	S	*	12/2003	Nojima	.....	D16/133
D570,018	S	*	5/2008	Cicccone, Jr.	.....	D26/37
D700,643	S	*	3/2014	Yokoi	.....	D16/133
D821,474	S	*	6/2018	Arshad	.....	D16/133
D831,722	S	*	10/2018	Arshad	.....	D16/133
2018/0167541	A1	*	6/2018	Reed	.....	G02B 23/18

**FOREIGN PATENT DOCUMENTS**

CN	303729219	*	6/2016
CN	305479664	*	12/2019
CN	307327953	*	5/2022
CN	307385043	*	6/2022

**OTHER PUBLICATIONS**

ACTinBlack DTNVS Housing, earliest pictured Jun. 21, 2022, [online], [site visited Jan. 6, 2023]. Available via Internet, <URL:https://tnvc.com/shop/actinblack-dtnvs-housing/> (Year: 2022).\*

(Continued)

*Primary Examiner* — Sanjeev Paul

*Assistant Examiner* — Breana Copeland

(74) *Attorney, Agent, or Firm* — Asgaard Patent Services, LLC; F. Wayne Thompson, Jr.

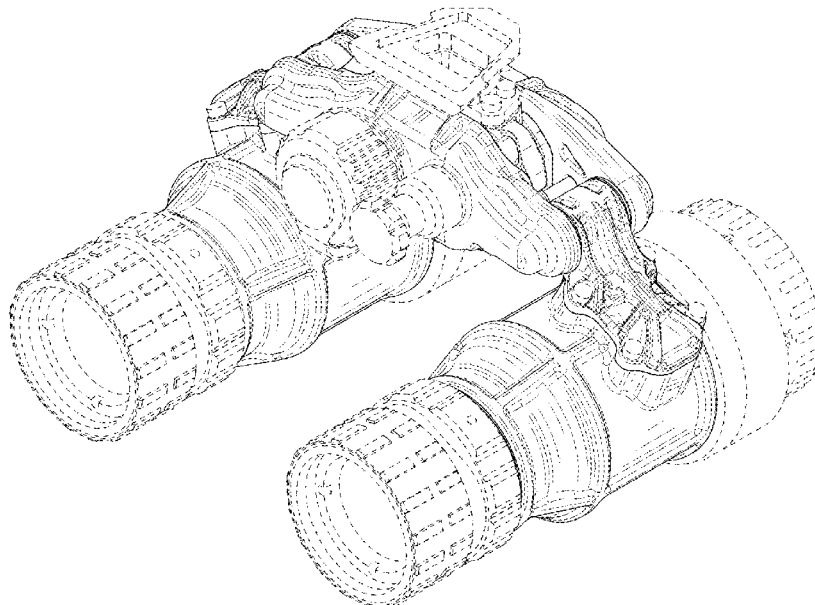
(57) **CLAIM**

The ornamental design for a binocular night vision device housing, as shown and described.

**DESCRIPTION**

FIG. 1 is a top isometric view of a binocular night vision device housing showing my new design; FIG. 2 is a bottom isometric view of the binocular night vision device housing shown in FIG. 1; FIG. 3 is a front side elevational view of the binocular night vision device housing shown in FIG. 1; FIG. 4 is a right side elevational view of the binocular night vision device housing shown in FIG. 1; FIG. 5 is a rear side elevational view of the binocular night vision device housing shown in FIG. 1; FIG. 6 is a left side elevational view of the binocular night vision device housing shown in FIG. 1; FIG. 7 is a top plan view of the binocular night vision device housing shown in FIG. 1; and, FIG. 8 is a bottom plan view of the binocular night vision device housing shown in FIG. 1. The broken lines represent portions of the binocular night vision device housing that form no part of the claimed design.

**1 Claim, 8 Drawing Sheets**



(56)

**References Cited**

OTHER PUBLICATIONS

Armasight BNVD-51 Pinnacle Night Vision Goggle, earliest pictured date unavailable, [online], [site visited Jan. 6, 2023]. Available via Internet, <URL:<https://armasight.com/bnvd-51-gen-3-pinnacle-night-vision-goggle/>> (Year: 2023).\*

DTNVS Housing Kit, earliest pictured date unavailable, [online], [site visited Jan. 6, 2023]. Available via Internet, <URL:<https://www.hcctac.com/products/dtnvs-housing-kit-night-vision-binos>> (Year: 2023).\*

Google Search, [online], [site visited Jan. 6, 2023]. Available via Internet, Google Search<URL:[https://www.google.com/search?q=Binocular+Night+Vision+Device+Housing&tbm=isch&ved=2ahUKEwjfvOestrP8AhWgEGIAHYuqBdEQ2-cCegQIABAA&ooq=Binocular+Night+Vision+Device+Housing&gs\\_lcp=CgNpbWcQA1CgC1igC2DvDWgAcAB4AIABRYgBgAGSAQEymAEAoAEBqgELZ3dzLXdpei1](https://www.google.com/search?q=Binocular+Night+Vision+Device+Housing&tbm=isch&ved=2ahUKEwjfvOestrP8AhWgEGIAHYuqBdEQ2-cCegQIABAA&ooq=Binocular+Night+Vision+Device+Housing&gs_lcp=CgNpbWcQA1CgC1igC2DvDWgAcAB4AIABRYgBgAGSAQEymAEAoAEBqgELZ3dzLXdpei1)> (Year: 2023).\*

\* cited by examiner

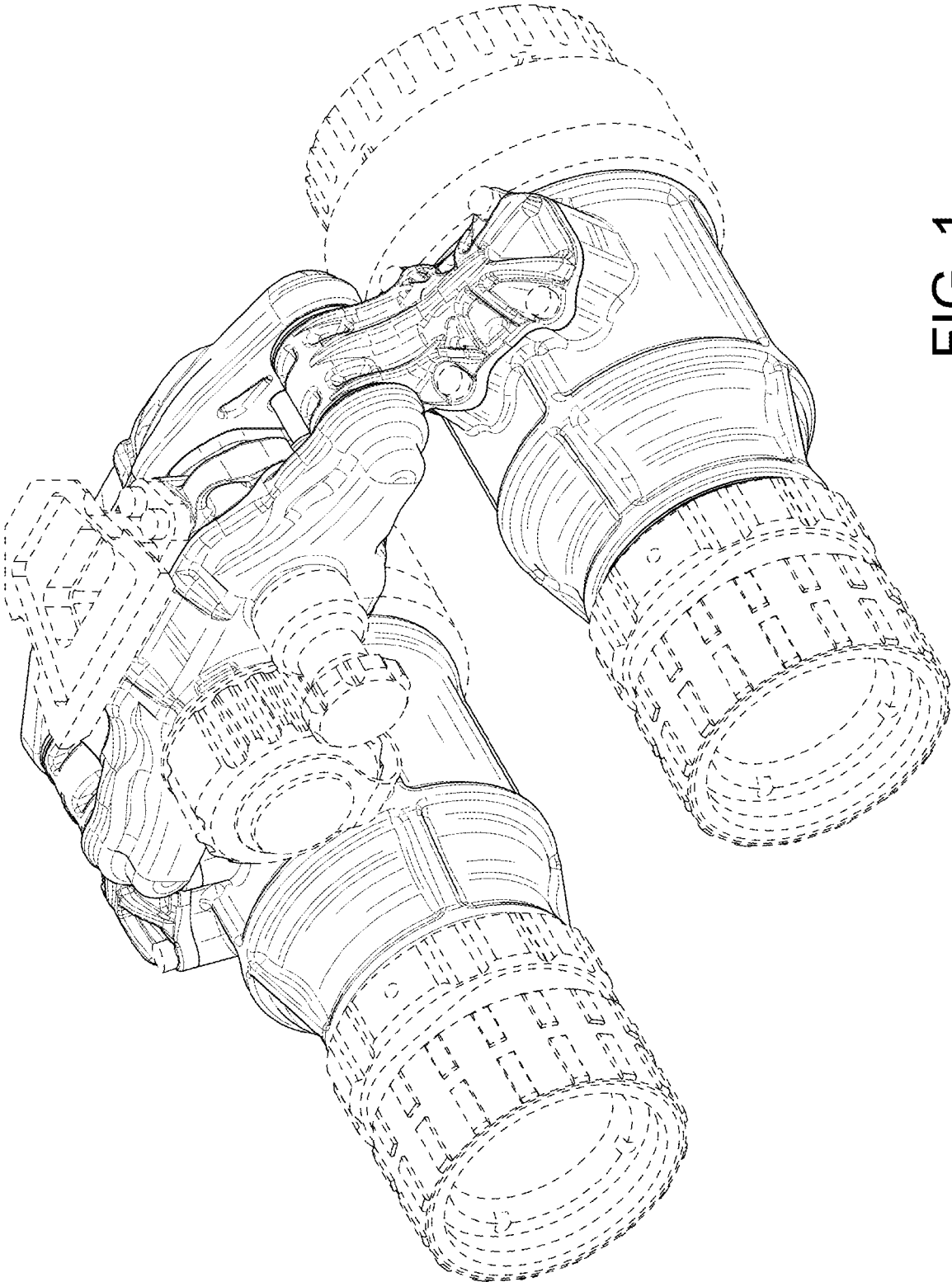


FIG. 1

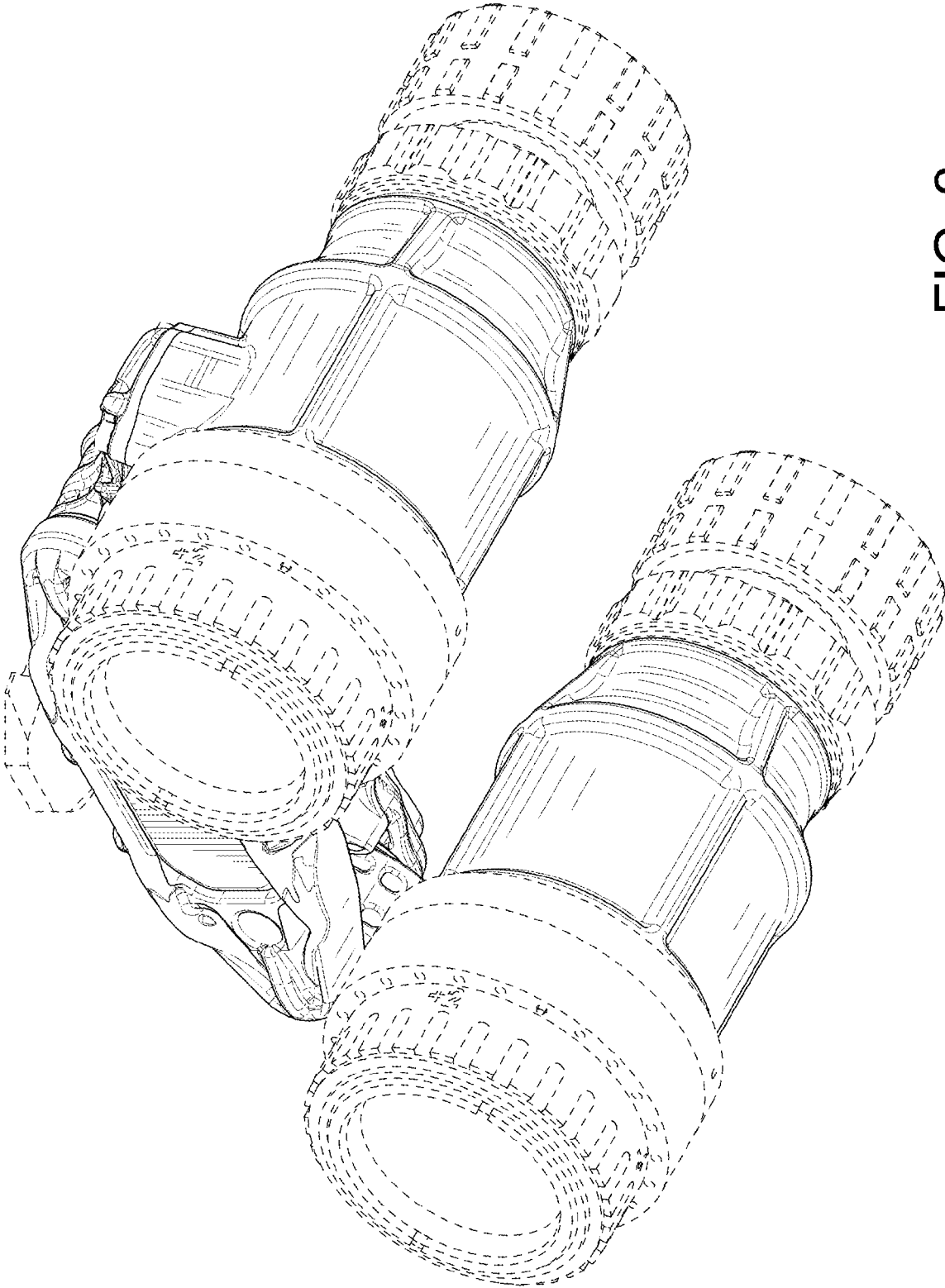


FIG. 2

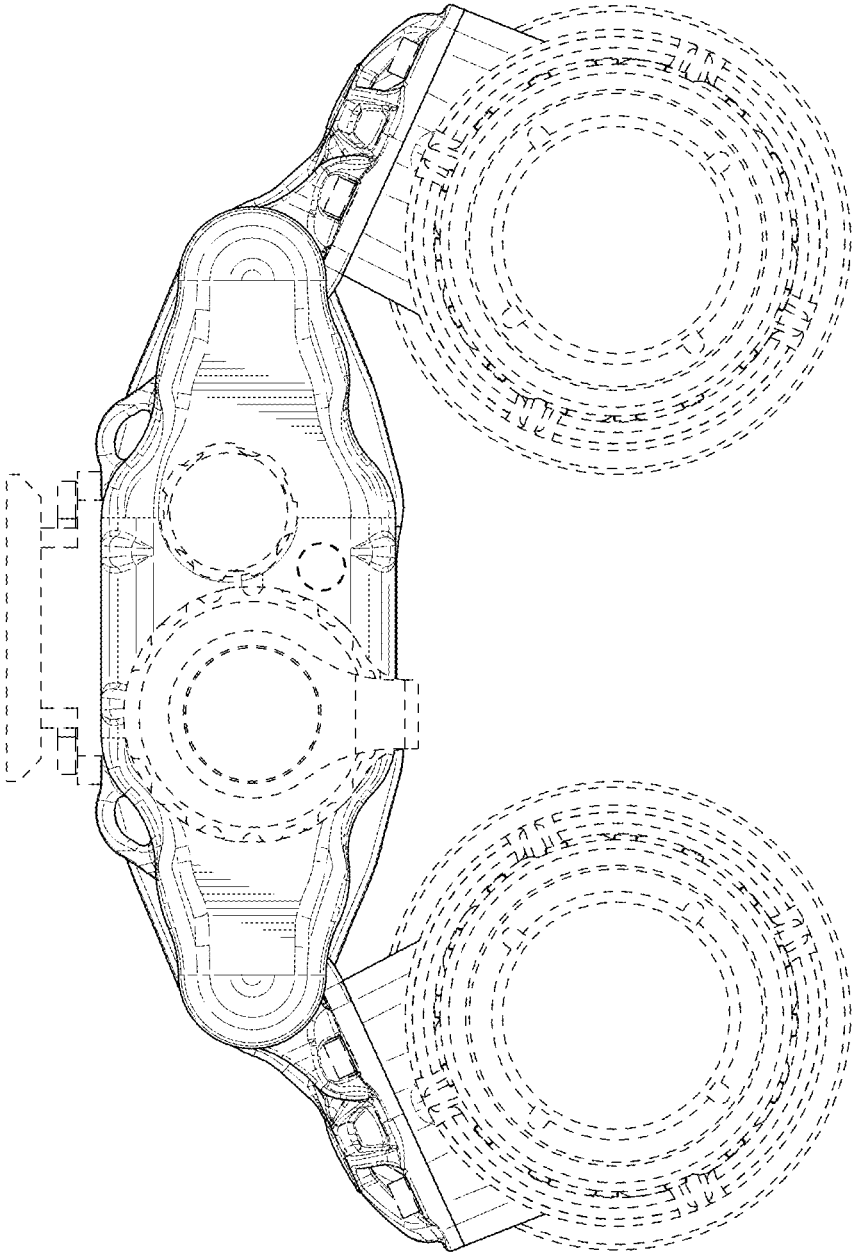


FIG. 3

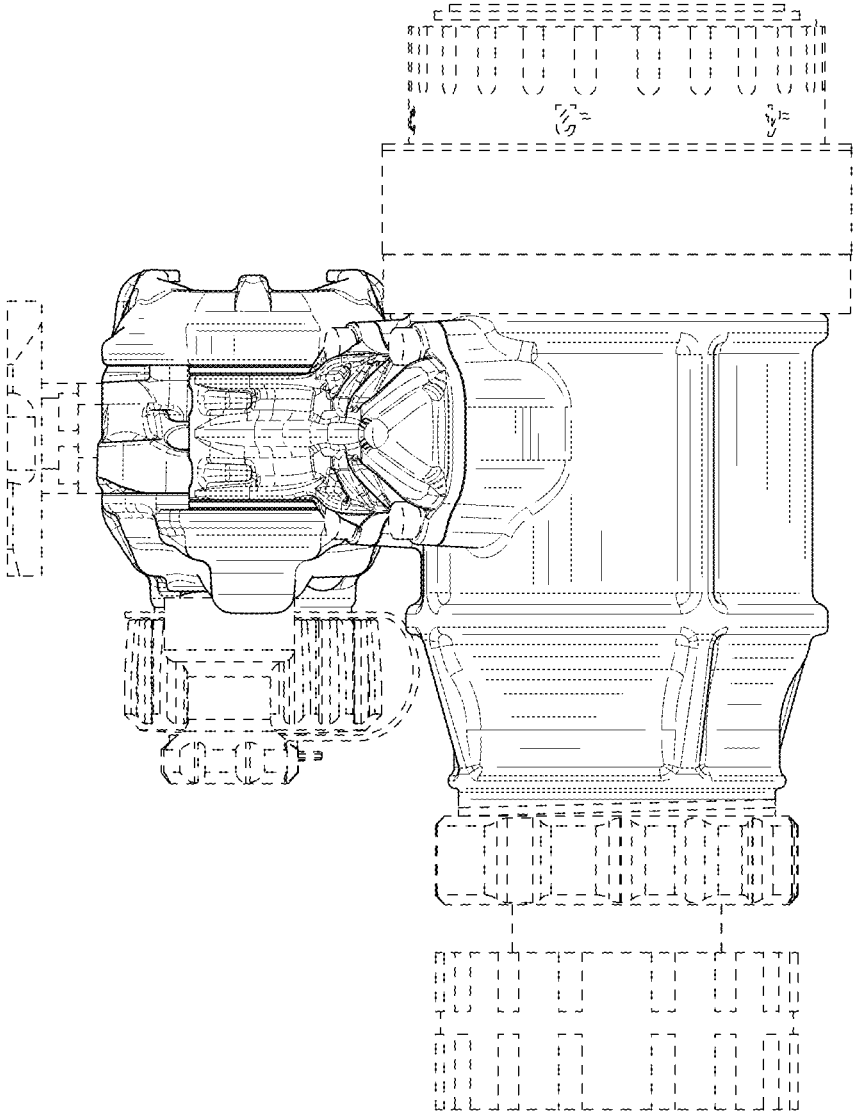


FIG. 4

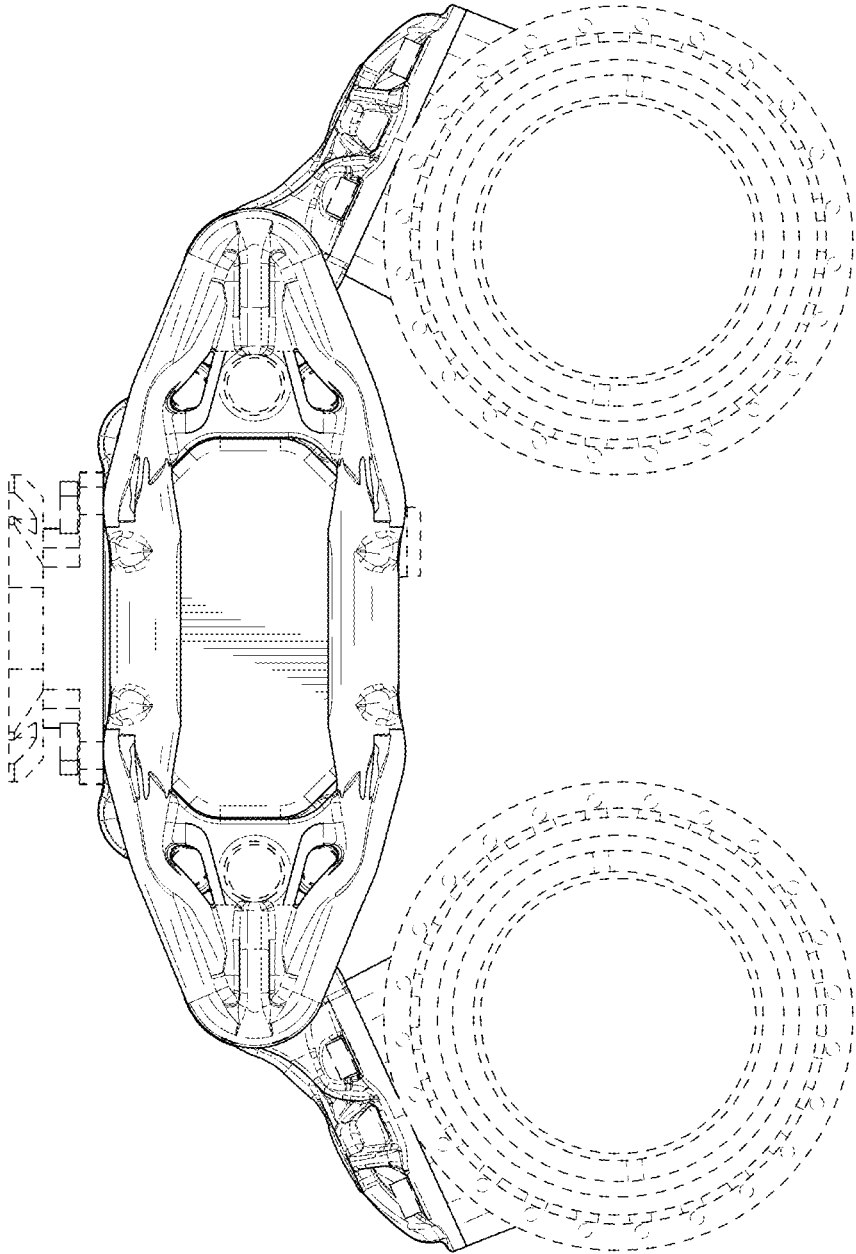


FIG. 5

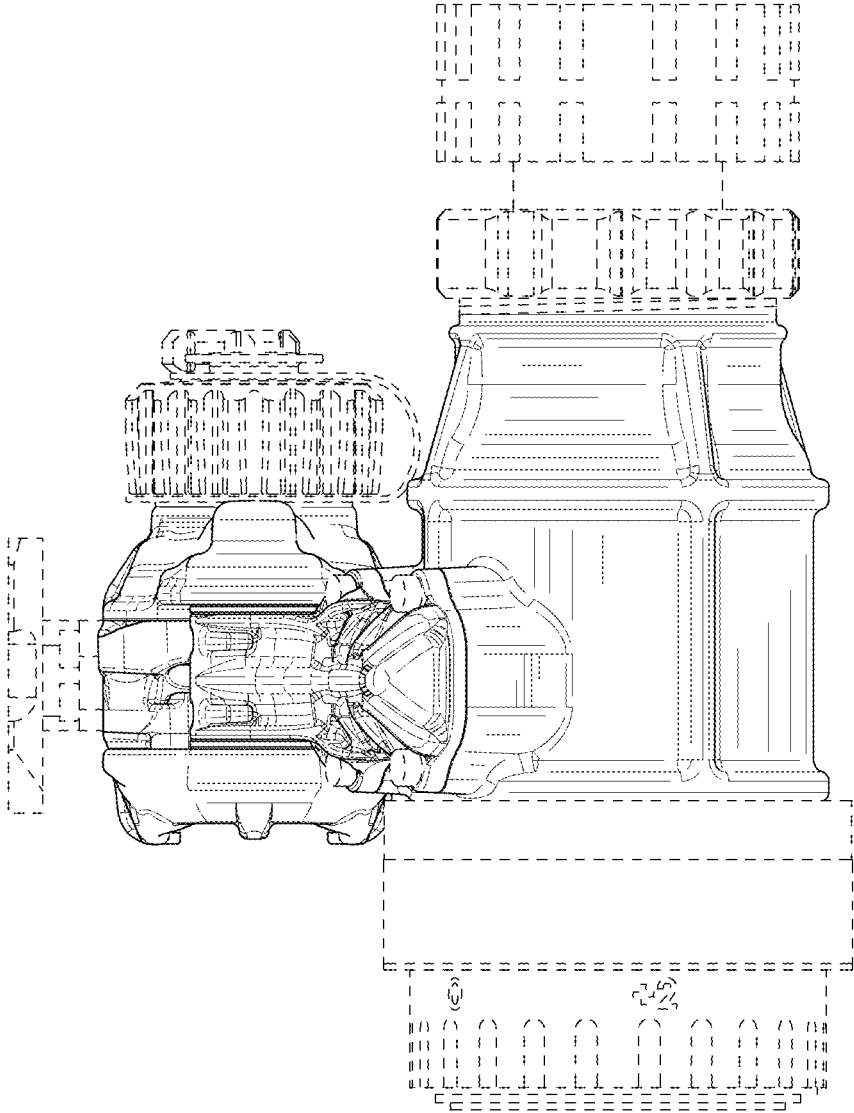


FIG. 6

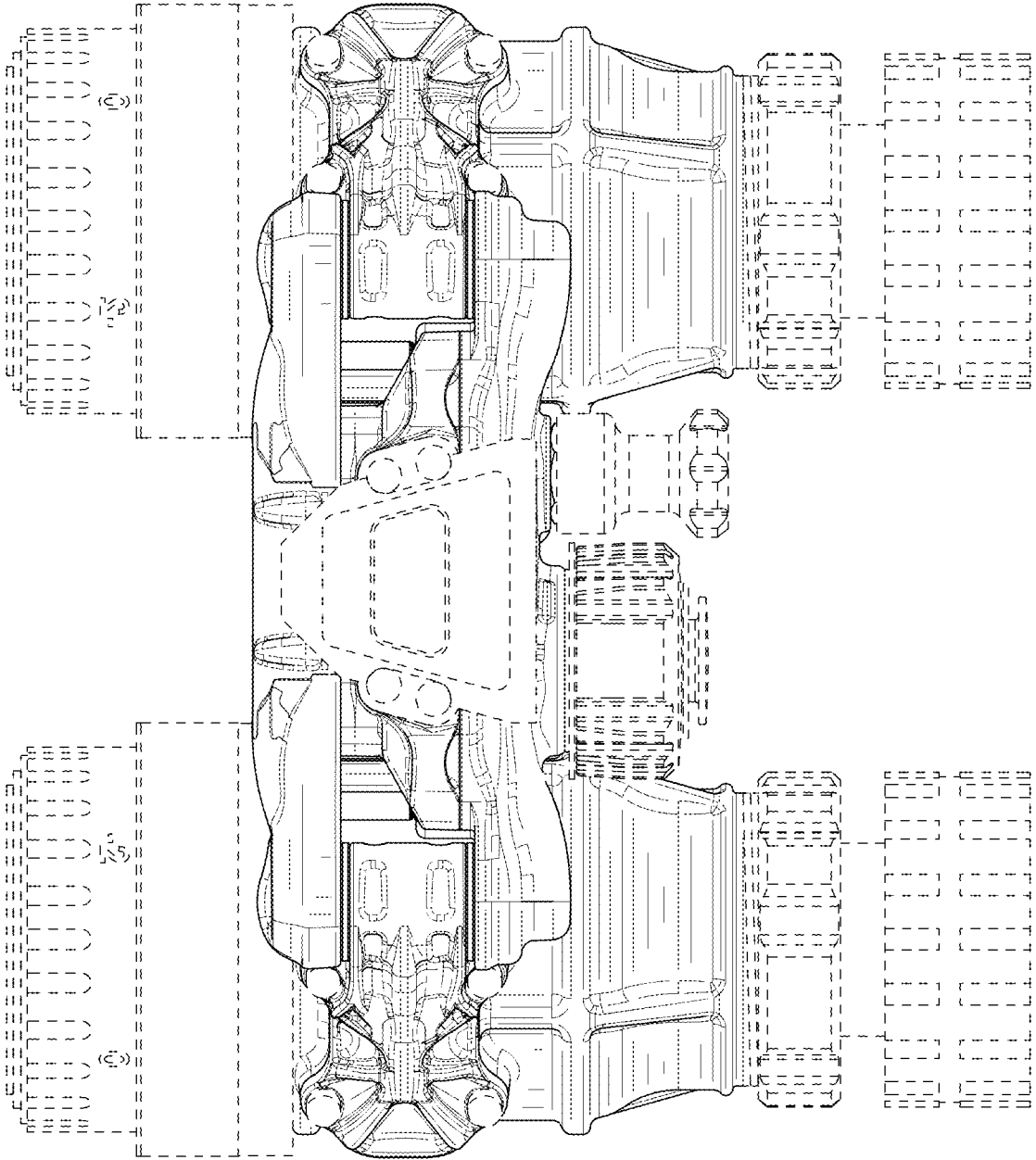


FIG. 7

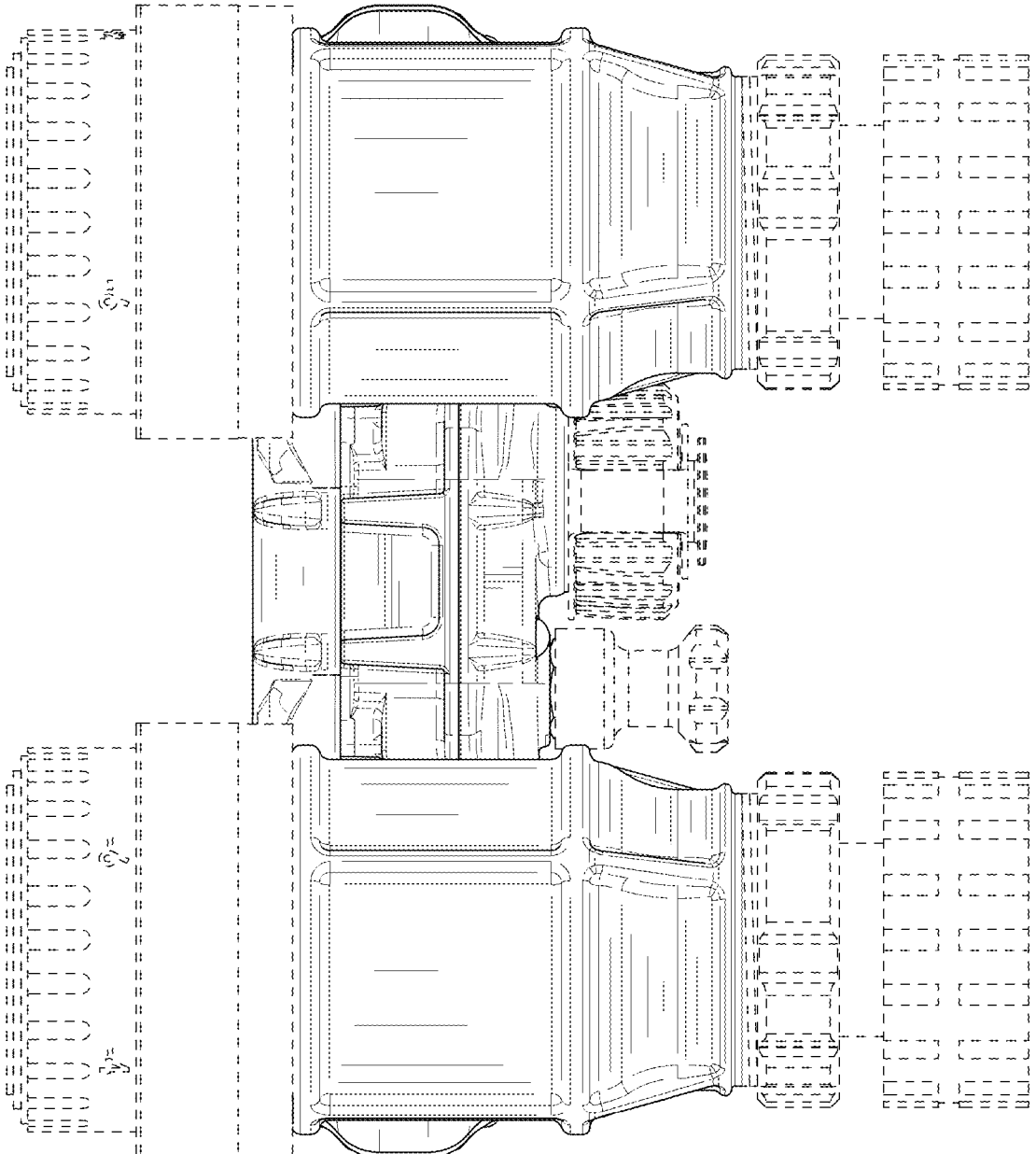


FIG. 8