



US0D1069378S

(12) **United States Design Patent**
Mattiussi

(10) **Patent No.:** **US D1,069,378 S**

(45) **Date of Patent:** **** Apr. 8, 2025**

(54) **SHOE HEEL**

(71) Applicant: **AMI PARIS**, Paris (FR)

(72) Inventor: **Alexandre Mattiussi**, Paris (FR)

(**) Term: **15 Years**

(21) Appl. No.: **35/519,664**

(22) Filed: **Dec. 21, 2023**

(80) **Hague Agreement Data**

Int. Filing Date: **Dec. 21, 2023**

Int. Reg. No.: **DM/234238**

Int. Reg. Date: **Dec. 21, 2023**

Int. Reg. Pub. Date: **Jan. 12, 2024**

(30) **Foreign Application Priority Data**

Jun. 22, 2023 (EM) 015025668-0002

(51) **LOC (15) Cl.** **02-04**

(52) **U.S. Cl.**
USPC **D2/965**

(58) **Field of Classification Search**

USPC D2/896, 915, 918, 922, 925, 926, 927,
D2/946, 964, 965, 966, 967, 968, 972
CPC .. A43B 1/00; A43B 1/10; A43B 21/00; A43B
21/02; A43B 21/025; A43B 21/03; A43B
21/04; A43B 21/06; A43B 21/08; A43B
21/18; A43B 21/20; A43B 21/22; A43B
21/24; A43B 21/36; A43B 21/54

See application file for complete search history.

(56) **References Cited**

U.S. PATENT DOCUMENTS

D33,181 S * 9/1900 Petrone D2/965
D93,479 S * 10/1934 Kean D2/966
D94,046 S * 12/1934 Nutt D2/966
D95,052 S * 4/1935 Lovejoy D2/966
D95,053 S * 4/1935 Lovejoy D2/966
D95,054 S * 4/1935 Lovejoy D2/966
D96,043 S * 6/1935 Lovejoy D2/966

D105,898 S * 8/1937 Ryberg D2/966
D112,337 S * 11/1938 Elkin D2/966
D116,753 S * 9/1939 Tiberlake D2/965
D119,662 S * 3/1940 Warner et al. D2/966
D125,895 S * 3/1941 Keyes 36/34 B
D127,528 S * 5/1941 Terpak D2/966
D131,038 S * 1/1942 Bolten et al. D8/DIG. 3
D131,039 S * 1/1942 Bolten et al. D2/966
2,328,319 A * 8/1943 Barton A43B 21/00
36/34 A
2,489,018 A * 11/1949 Dodge A43B 3/16
36/1
D201,863 S * 8/1965 Goldberg 36/34 R
D209,806 S * 1/1968 Elvins D2/965
D258,549 S * 3/1981 Goldman D2/966
D258,620 S * 3/1981 Goldman D2/966
D258,621 S * 3/1981 Goldman D2/966

(Continued)

OTHER PUBLICATIONS

Black & White Stripe Vegan Leather Banshee Platform Heels
(15),<https://www.unique-vintage.com/products/preorder-black-white-stripe-vegan-leather-banshee-platform-heels?variant=39386616135782#glCountry=US#glCurrency=USD>, 2021. (Year: 2021).*

(Continued)

Primary Examiner — Elizabeth J Oswecki

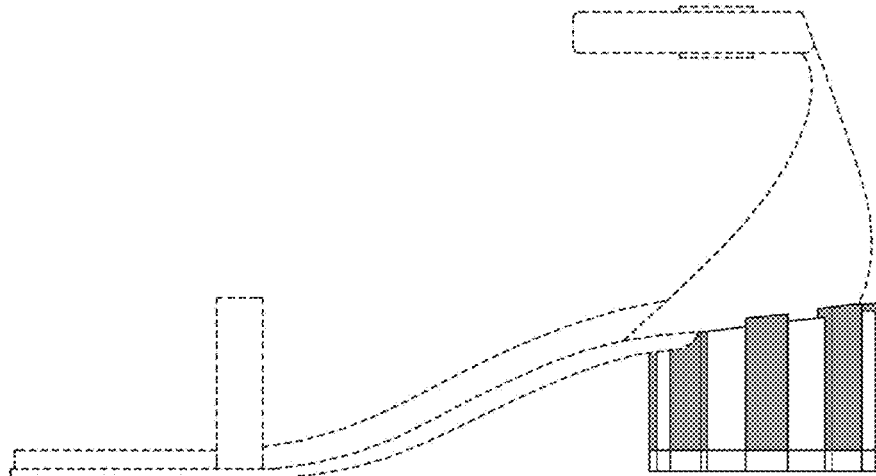
(57) **CLAIM**

The ornamental design for a shoe heel as shown and described.

DESCRIPTION

- 1. Shoe heel
- 1.1 : Left
- 1.2 : Bottom
- 1.3: Top
- 1.4 : Front
- 1.5 : Right
- 1.6 : Back
- 1.7 : Perspective

1 Claim, 7 Drawing Sheets



(56)

References Cited

U.S. PATENT DOCUMENTS

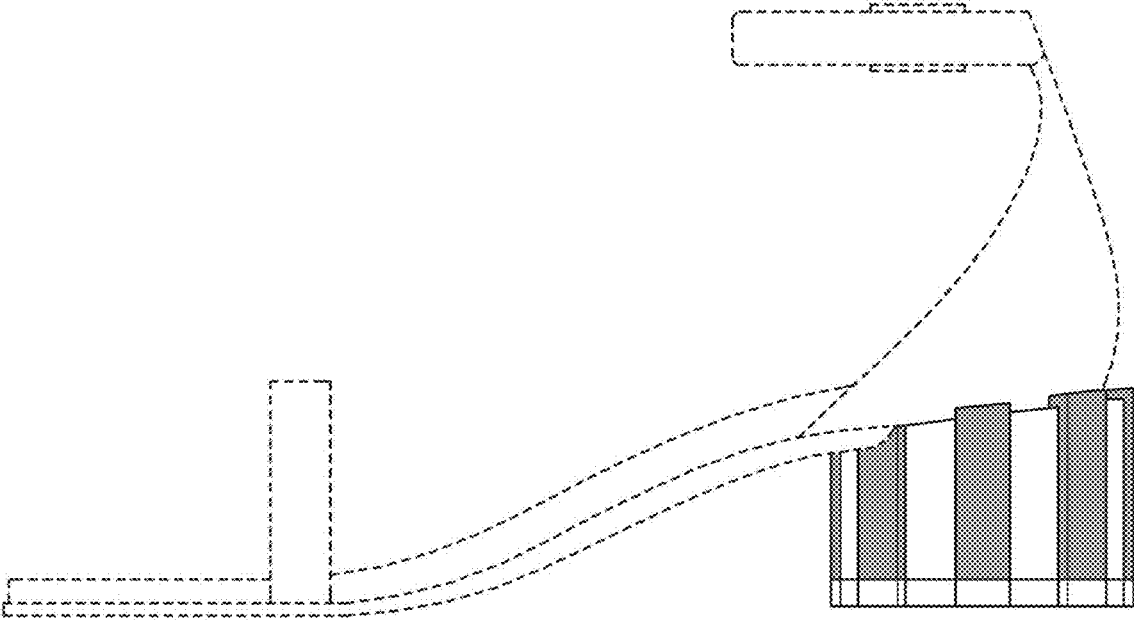
D666,402 S * 9/2012 Healy D2/965
D677,870 S * 3/2013 Healy D2/965
D837,500 S * 1/2019 Faulkenbery D2/965

OTHER PUBLICATIONS

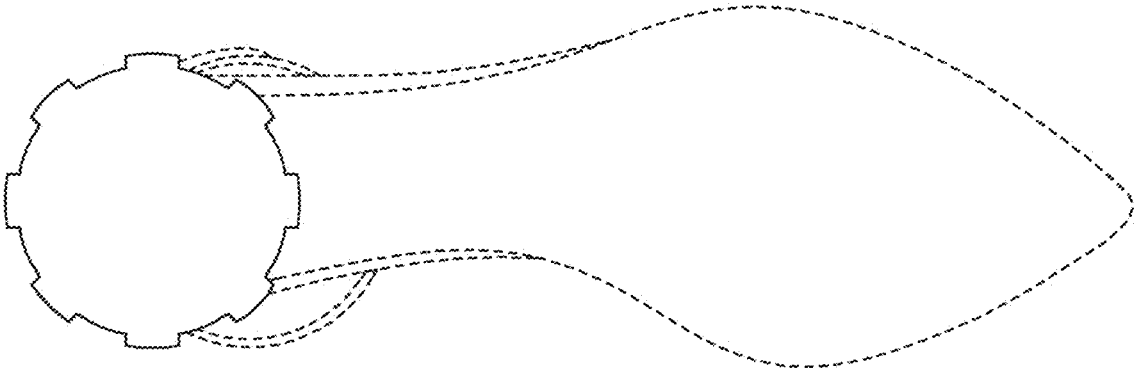
Runway, AMI Paris-pointed-toe leather pumps, https://www.farfetch.com/shopping/women/ami-paris-pointed-toe-leather-pumps-item-21819602.aspx?lang=en-US&fsb=1&size=23&storeid=9846&clickref=10111yJfEVL&utm_source=laurenlyst&utm_medium=affiliate&utm_campaign=PHUS&pid, © Copyright 2024 Farfetch UK Limited. (Year: 2024).*

Runway, AMI Paris-Pointed-Toe Pleated pumps, https://www.farfetch.com/shopping/women/ami-paris-pointed-toe-pleated-pumps-item-21819605.aspx?lang=en-US&fsb=1&size=31&storeid=9846&clickref=11011yJdLTs5&utm_source=laurenlyst&utm_medium=affiliate&utm_campaign=PHUS&pid, © Copyright 2024 Farfetch UK Limited. (Year: 2024).*

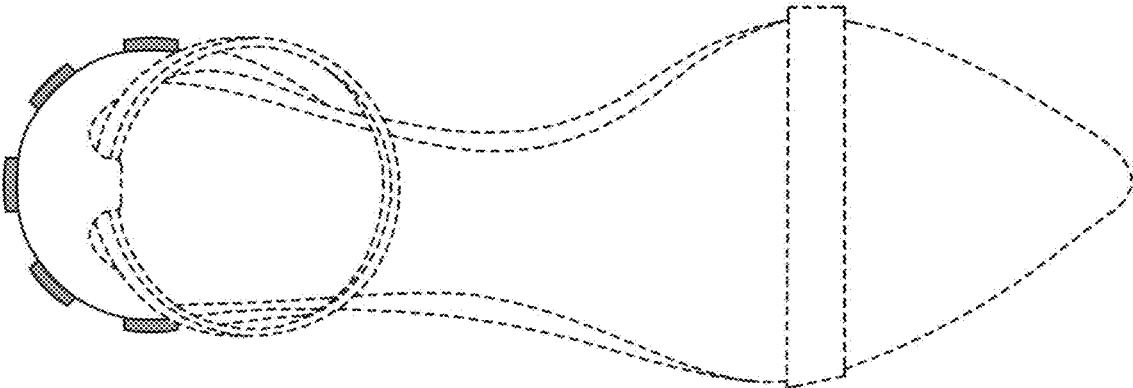
* cited by examiner



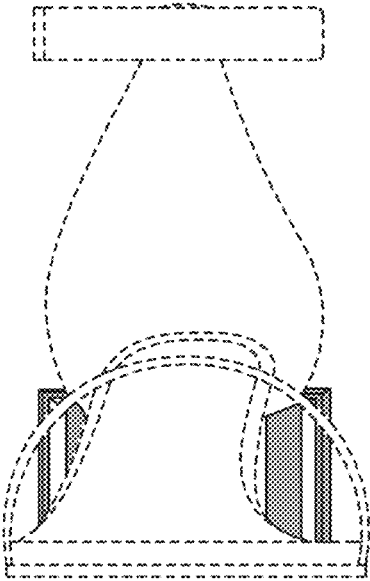
1.1



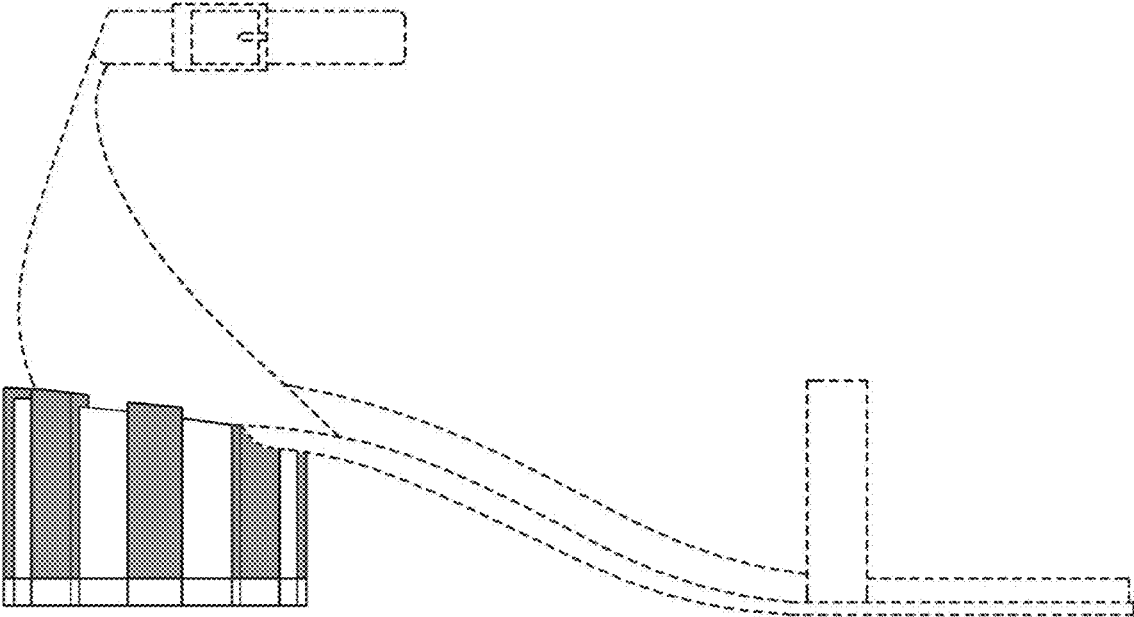
1.2



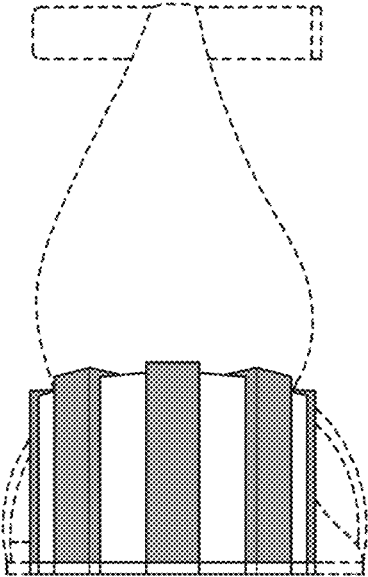
1.3



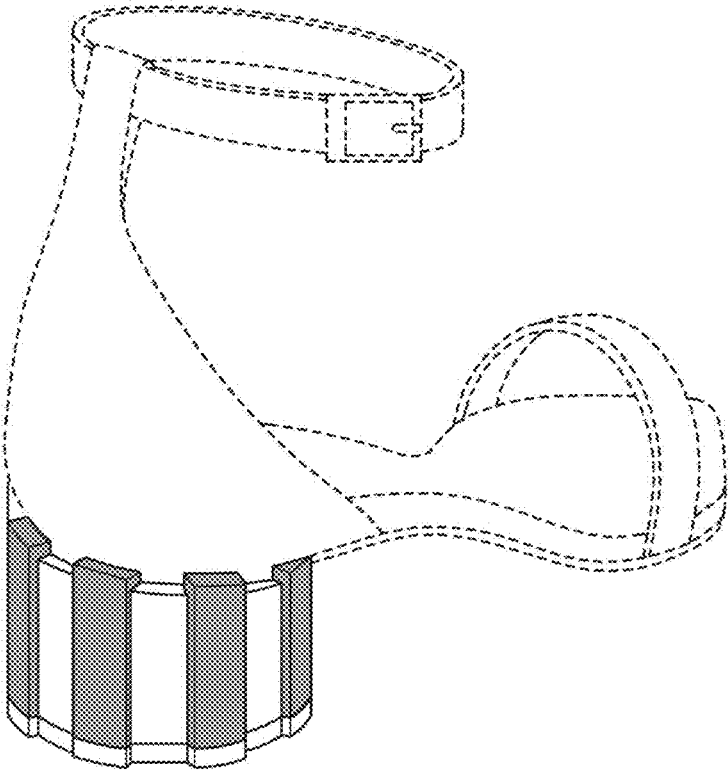
1.4



1.5



1.6



1.7