



US00D693293S

(12) **United States Design Patent**  
**Tang**

(10) **Patent No.:** **US D693,293 S**

(45) **Date of Patent:** **\*\* Nov. 12, 2013**

(54) **BATTERY**

(76) Inventor: **Weibin Tang**, Guangzhou (CN)

(\*\*) Term: **14 Years**

(21) Appl. No.: **29/406,448**

(22) Filed: **Nov. 14, 2011**

(30) **Foreign Application Priority Data**

Sep. 14, 2011 (CN) ..... 2011 3 0321911

(51) **LOC (9) Cl.** ..... **13-02**

(52) **U.S. Cl.**  
USPC ..... **D13/104**

(58) **Field of Classification Search**  
USPC ..... D13/102-106, 110, 118-119, 184;  
429/96-100, 149, 163, 176, 187  
See application file for complete search history.

(56) **References Cited**

**U.S. PATENT DOCUMENTS**

D294,484 S \* 3/1988 Kellett et al. .... D13/106  
5,440,785 A \* 8/1995 McDonald ..... 16/423

D400,849 S \* 11/1998 Ikeda et al. .... D13/106  
D401,551 S \* 11/1998 Kim ..... D13/106  
D458,900 S \* 6/2002 Carter et al. .... D13/106  
D462,656 S \* 9/2002 Degen et al. .... D13/104  
D584,684 S \* 1/2009 Aglassinger ..... D13/110  
D625,254 S \* 10/2010 Mack et al. .... D13/104  
D633,865 S \* 3/2011 Qualls et al. .... D13/106  
2011/0293980 A1 \* 12/2011 Tartaglia ..... 429/100

\* cited by examiner

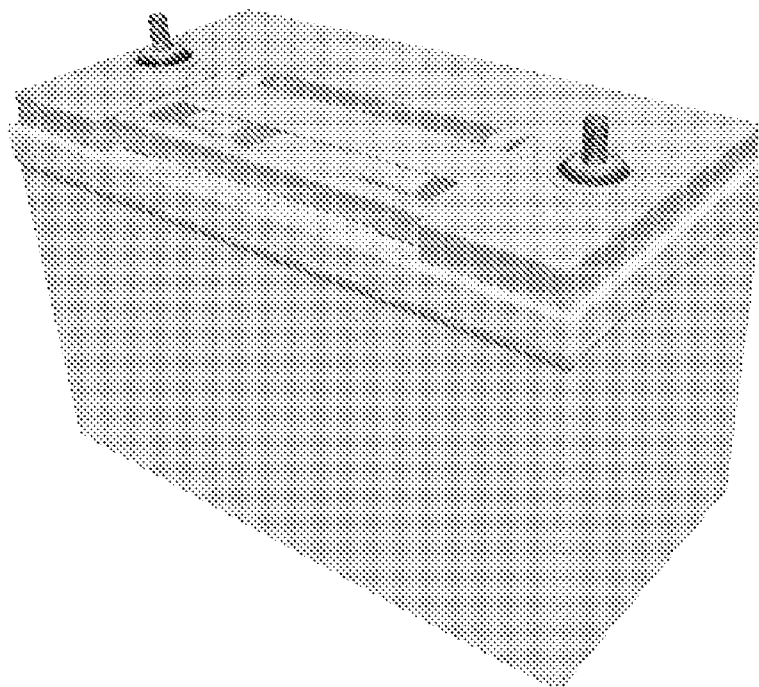
*Primary Examiner* — Rosemary K Tarcza

(57) **CLAIM**  
The ornamental design for a battery, as shown.

**DESCRIPTION**

FIG. 1 is a front perspective view of a battery showing my new design;  
FIG. 2 is a rear view thereof;  
FIG. 3 is a left side view thereof;  
FIG. 4 is a right side view thereof;  
FIG. 5 is a top view thereof;  
FIG. 6 is a bottom view thereof; and,  
FIG. 7 is a three-dimensional view thereof.

**1 Claim, 4 Drawing Sheets**



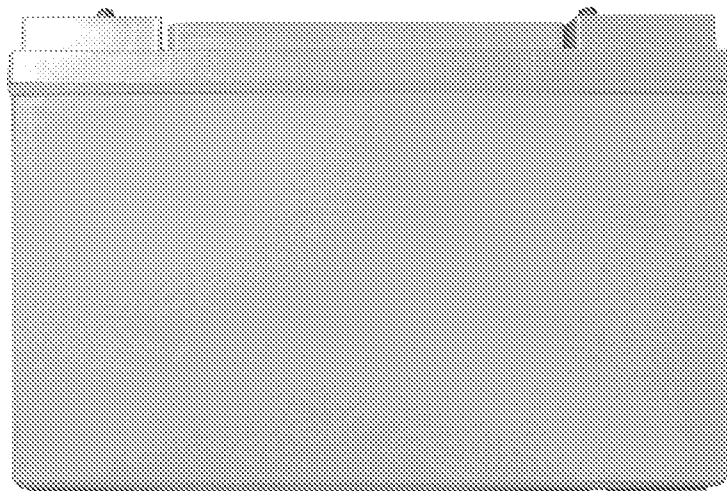


Fig.1

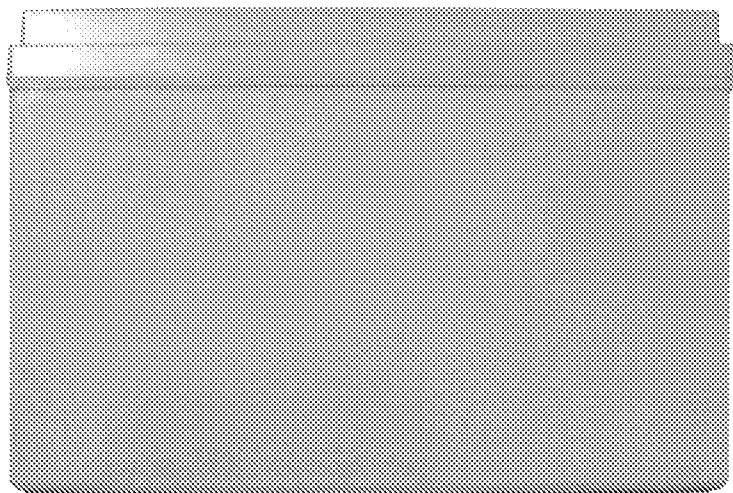


Fig.2

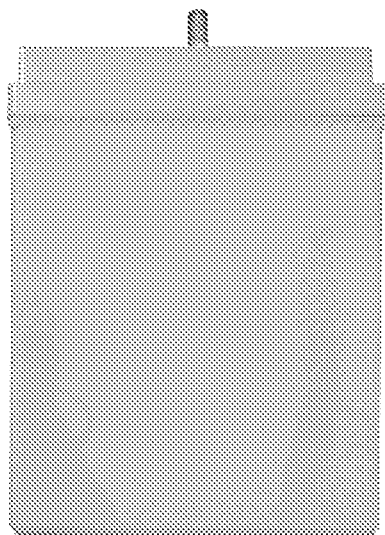


Fig.3

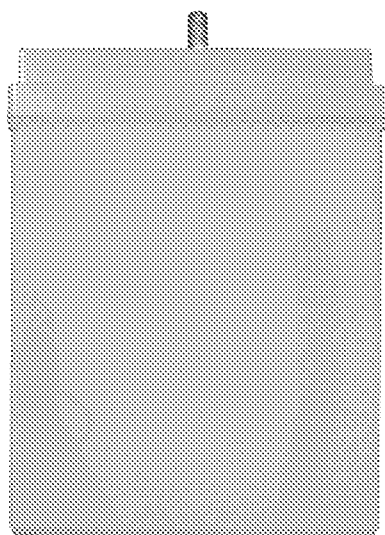


Fig.4

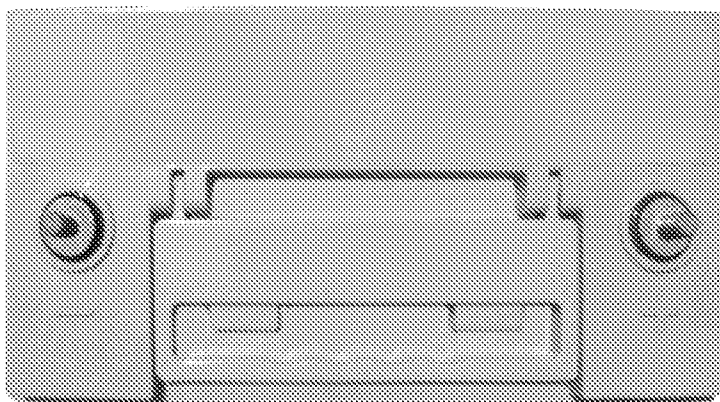


Fig.5

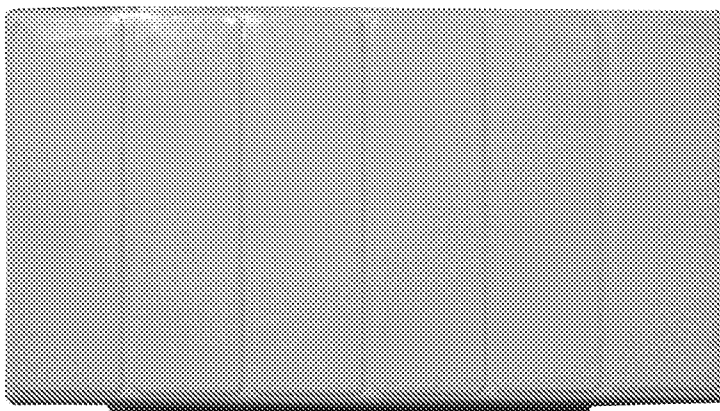


Fig.6

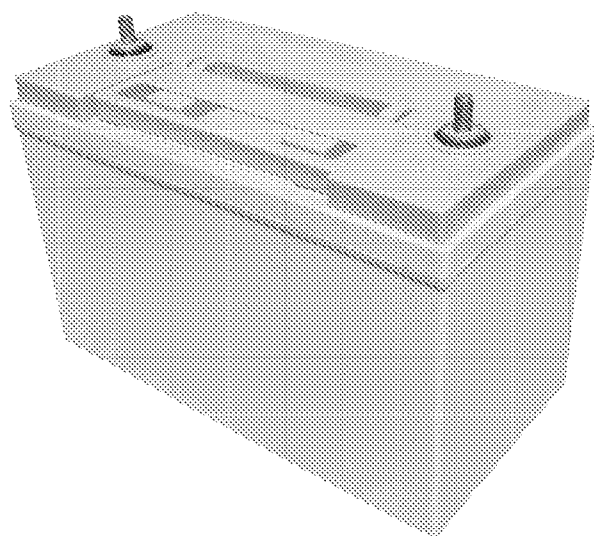


Fig.7