



US00D629552S

(12) **United States Design Patent**
Zhang

(10) **Patent No.:** **US D629,552 S**

(45) **Date of Patent:** **** Dec. 21, 2010**

(54) **LED LAMP**

(75) Inventor: **Wen-Xiang Zhang**, Shenzhen (CN)

(73) Assignee: **Foxconn Technology Co., Ltd.**,
Tucheng, Taipei County (TW)

(**) Term: **14 Years**

(21) Appl. No.: **29/340,656**

(22) Filed: **Jul. 22, 2009**

(51) **LOC (9) Cl.** **26-03**

(52) **U.S. Cl.** **D26/71**

(58) **Field of Classification Search** D26/67-71,
D26/85, 92; 362/145, 183, 231, 240, 249.02,
362/249.03, 249.04, 249.06, 249.16, 431
See application file for complete search history.

(56) **References Cited**

U.S. PATENT DOCUMENTS

D201,700 S *	7/1965	Stockwell	D26/71
D236,909 S *	9/1975	Richilano	D26/68
D266,958 S *	11/1982	Gernhardt	D26/92
D321,950 S *	11/1991	Enthoven	D26/92
5,632,551 A *	5/1997	Roney et al.	362/485
D527,134 S *	8/2006	Bagen	D26/71

D573,743 S *	7/2008	Yan et al.	D26/71
D576,343 S *	9/2008	Reyhan et al.	D26/92
D578,698 S *	10/2008	Zheng	D26/71
D592,345 S *	5/2009	Gill	D26/71
7,682,050 B2 *	3/2010	Xiang et al.	362/294
7,726,846 B2 *	6/2010	Yang et al.	362/294
2010/0128483 A1 *	5/2010	Reo et al.	362/294

* cited by examiner

Primary Examiner—Clare E Heflin

(74) *Attorney, Agent, or Firm*—Frank R. Niranjan

(57) **CLAIM**

The ornamental design for an LED lamp, as shown.

DESCRIPTION

FIG. 1 is a perspective view of an LED lamp showing my new design.

FIG. 2 is a front elevational view thereof.

FIG. 3 is a rear elevational view thereof.

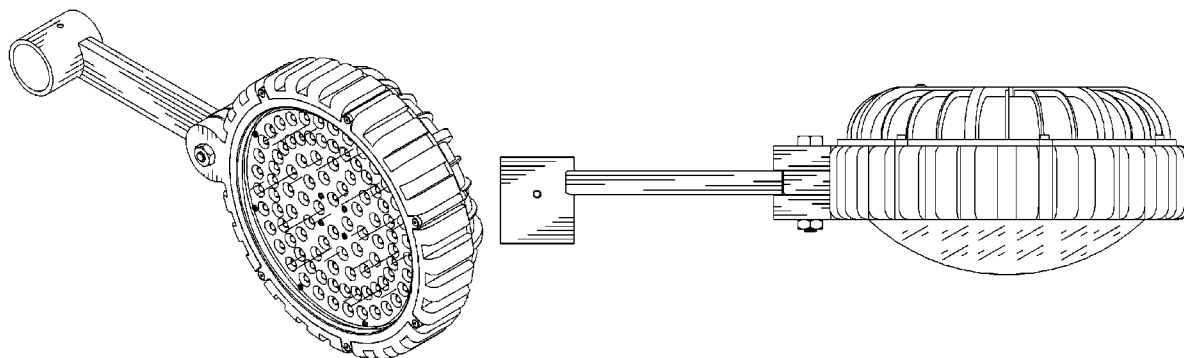
FIG. 4 is a left-side, elevational view thereof.

FIG. 5 is a right-side, elevational view thereof.

FIG. 6 is a top plan view thereof; and,

FIG. 7 is a bottom plan view thereof.

1 Claim, 7 Drawing Sheets



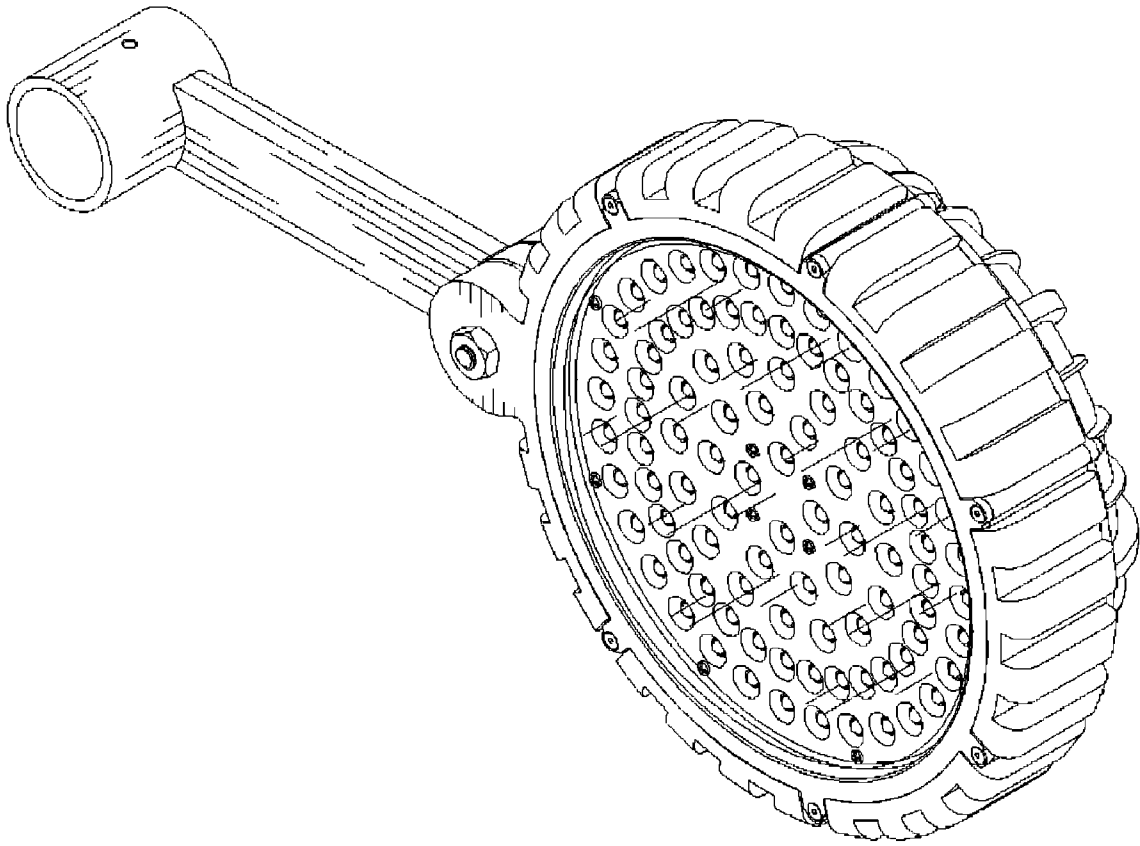


FIG. 1

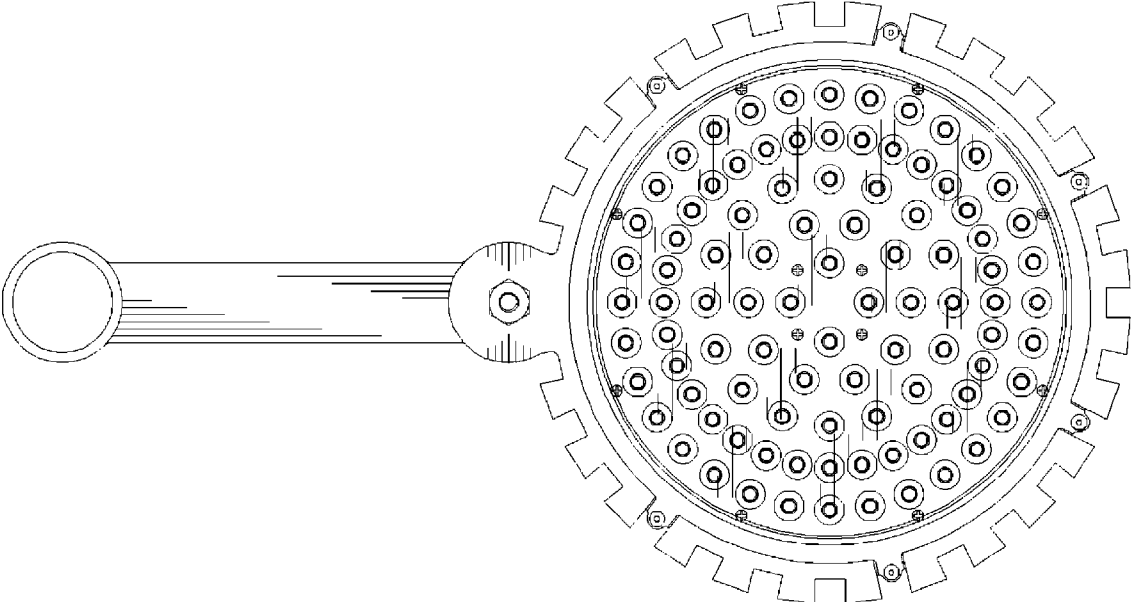


FIG. 2

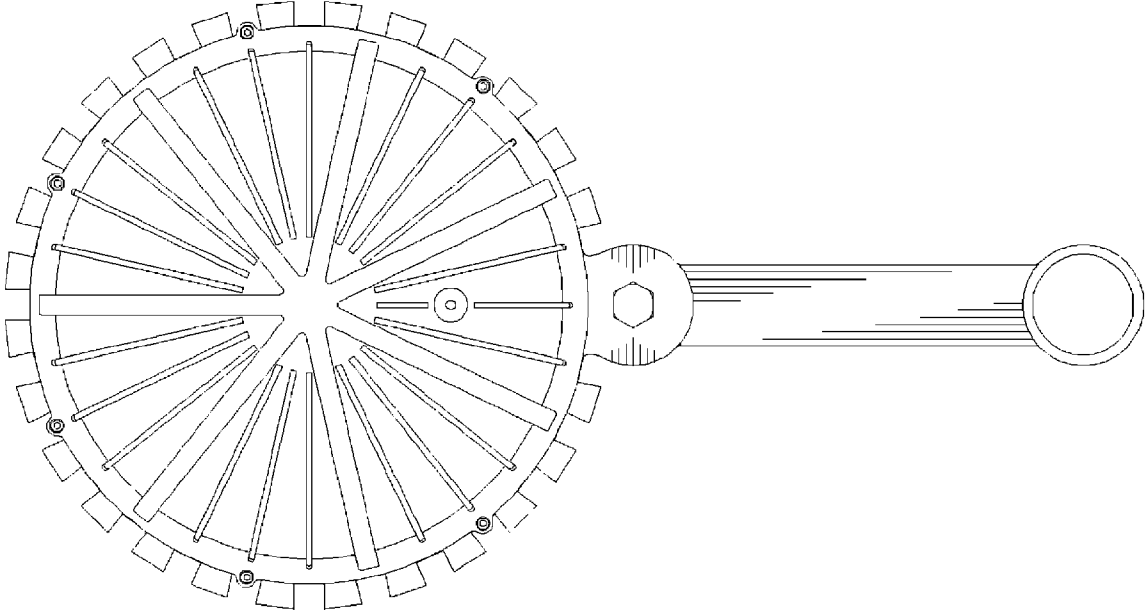


FIG. 3

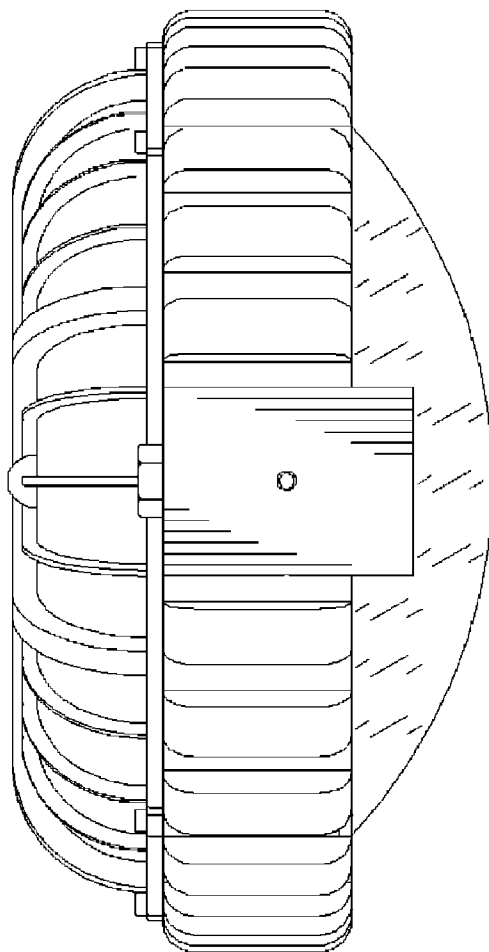


FIG. 4

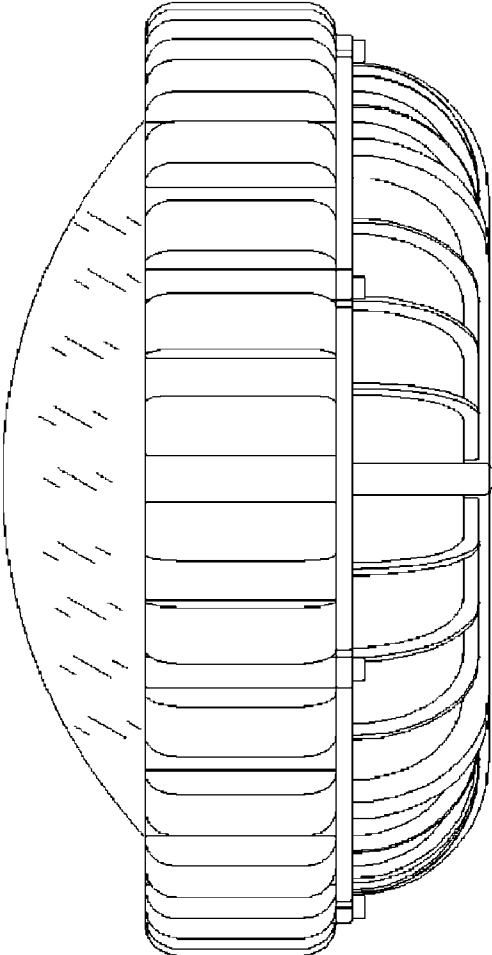


FIG. 5

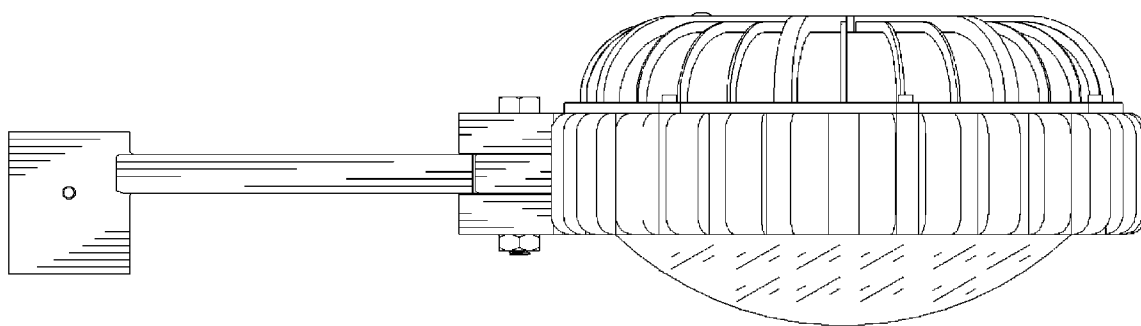


FIG. 6

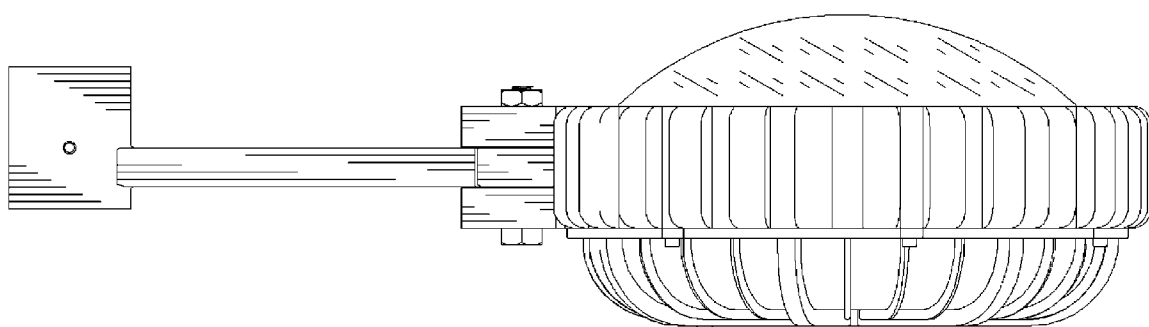


FIG. 7