



US00D722977S

(12) **United States Design Patent**
Hagarty

(10) **Patent No.:** **US D722,977 S**

(45) **Date of Patent:** **** Feb. 24, 2015**

(54) **JUNCTION BOX WITH CABLE MANAGEMENT**

(71) Applicant: **RANDL Industries, Inc.**, Spokane Valley, WA (US)

(72) Inventor: **Robert J. Hagarty**, Spokane, WA (US)

(73) Assignee: **RANDL Industries, Inc.**, Spokane, WA (US)

(**) Term: **14 Years**

(21) Appl. No.: **29/486,897**

(22) Filed: **Apr. 3, 2014**

(51) **LOC (10) Cl.** **13-03**

(52) **U.S. Cl.**
USPC **D13/152**

(58) **Field of Classification Search**
USPC D13/152, 153, 155, 156, 137.1, 137.4,
D13/139.3, 139.2, 133, 184; 220/3.2, 3.3,
220/3.4-3.9, 3.92, 3.94; 174/58, 50.56, 51;
439/675, 668, 623

See application file for complete search history.

(56) **References Cited**

U.S. PATENT DOCUMENTS

3,023,920	A *	3/1962	Cook et al.	220/3.6
4,790,505	A	12/1988	Rose		
D342,938	S	1/1994	Cheatham		
D379,622	S	6/1997	Lynn		
6,066,803	A	5/2000	Hagarty		
6,103,972	A	8/2000	Hagarty		
6,379,166	B1	4/2002	Hagarty		
6,384,334	B1	5/2002	Webb		
D468,697	S *	1/2003	Straub, Jr.	D13/152
D493,695	S	8/2004	Wengrower		
6,858,802	B2	2/2005	Hagarty		
D539,751	S *	4/2007	Kiely	D13/152
D540,654	S	4/2007	Aubert Capella		
7,271,336	B2	9/2007	Dinh		
D555,108	S	11/2007	Strong		

D595,659	S *	7/2009	Maurer et al.	D13/152
D601,096	S *	9/2009	Vigorito et al.	D13/152
8,253,040	B2	8/2012	Hopkins		
D676,814	S *	2/2013	Paul	D13/152
D677,634	S *	3/2013	Korez et al.	D13/152
D679,252	S *	4/2013	Wagner et al.	D13/152
D684,935	S *	6/2013	DeCosta	D13/152

(Continued)

OTHER PUBLICATIONS

Hagarty, R.J., "Outlet Box Adapter," U.S. Appl. No. 29/393,963, filed Jun. 10, 2011.

(Continued)

Primary Examiner — Ian Simmons

Assistant Examiner — Rhea Shields

(74) *Attorney, Agent, or Firm* — Christensen O'Connor Johnson Kindness PLLC

(57) **CLAIM**

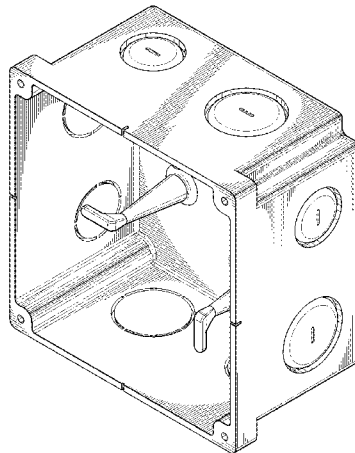
The ornamental design for a junction box with cable management, as shown and described.

DESCRIPTION

FIG. 1 is a perspective view of a junction box with cable management in accordance with the present design; FIG. 2 is a front view of the junction box with cable management shown in FIG. 1; FIG. 3 is a rear view of the junction box with cable management shown in FIG. 1; FIG. 4 is a plan view of the junction box with cable management shown in FIG. 1; FIG. 5 is a bottom view of the junction box with cable management shown in FIG. 1; FIG. 6 is a left side view of the junction box with cable management shown in FIG. 1; and, FIG. 7 is a right side view of the junction box with cable management shown in FIG. 1.

In the drawings, the broken lines depict unclaimed subject matter only and form no part of the claimed design.

1 Claim, 6 Drawing Sheets



(56)

References Cited

U.S. PATENT DOCUMENTS

D698,737 S 2/2014 Hagarty
D702,198 S * 4/2014 Gretz D13/184

OTHER PUBLICATIONS

Hagarty, R.J., "Plaster Ring," U.S. Appl. No. 29/424,576, filed Jun. 13, 2012.

Hagarty, R.J., "Plaster Ring," U.S. Appl. No. 29/447,297, filed Mar. 1, 2013.

Hagarty, R.J., "Plaster Ring With Wide Flange," U.S. Appl. No. 29/471,962, filed Nov. 6, 2013.

Hagarty, R.J., "Plaster Ring With Off-Center Aperture," U.S. Appl. No. 29/471,963, filed Nov. 6, 2013.

* cited by examiner

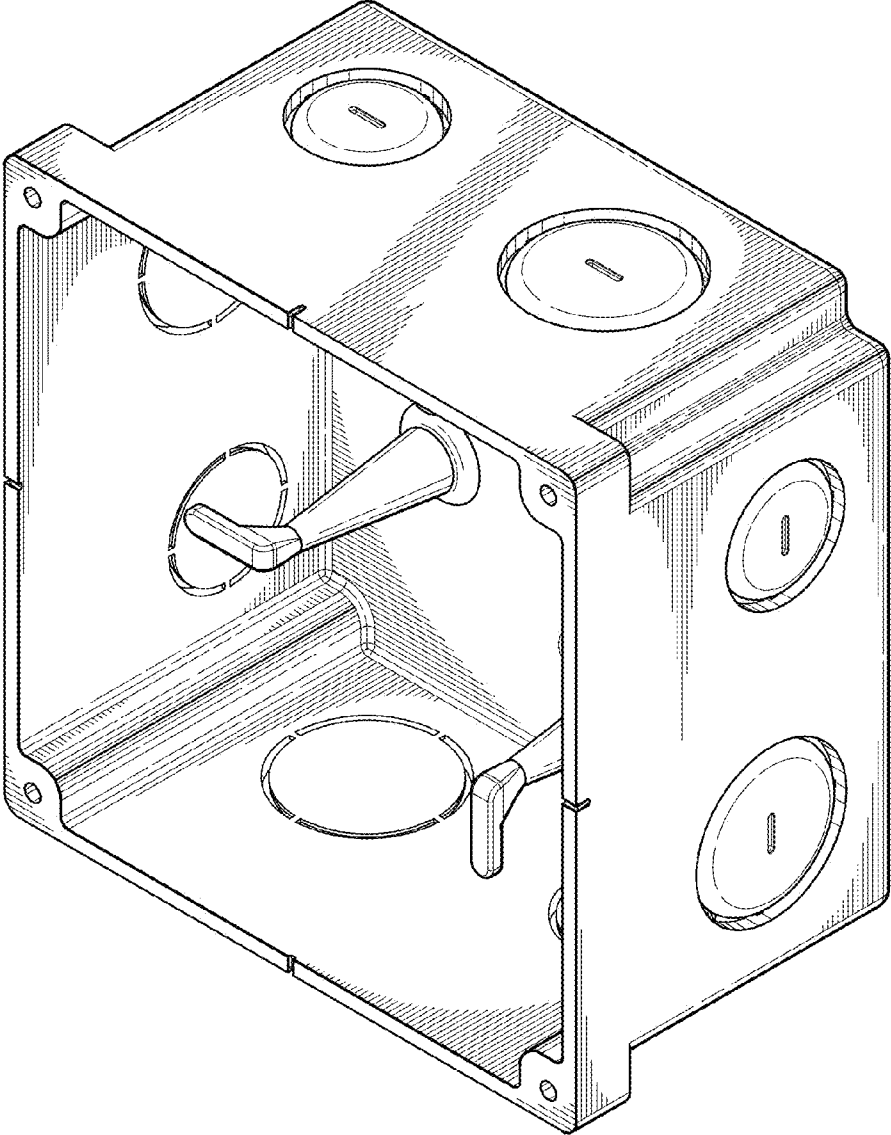


Fig. 1.

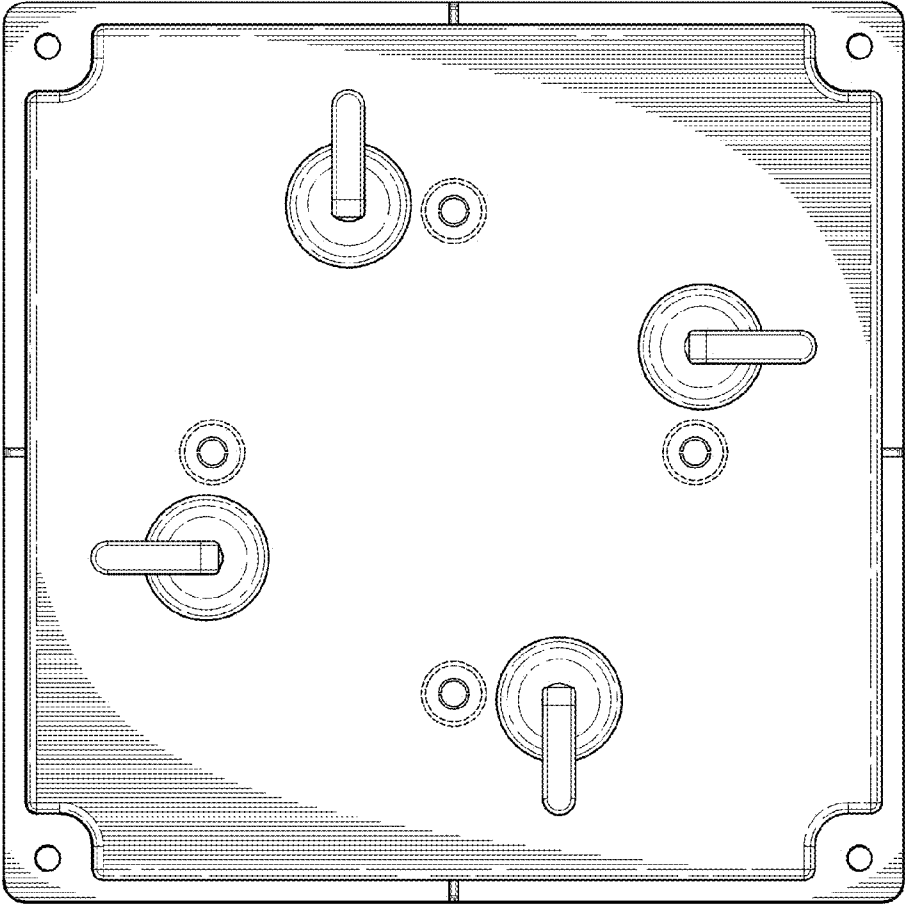


Fig. 2.

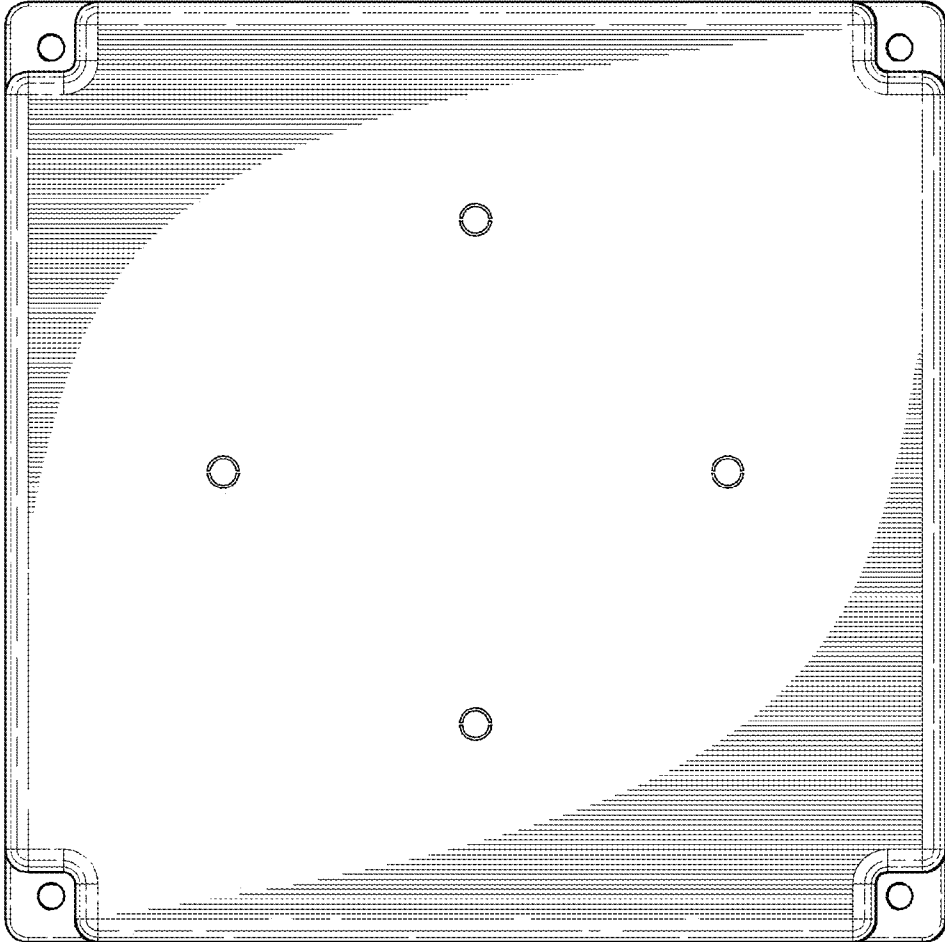


Fig. 3.

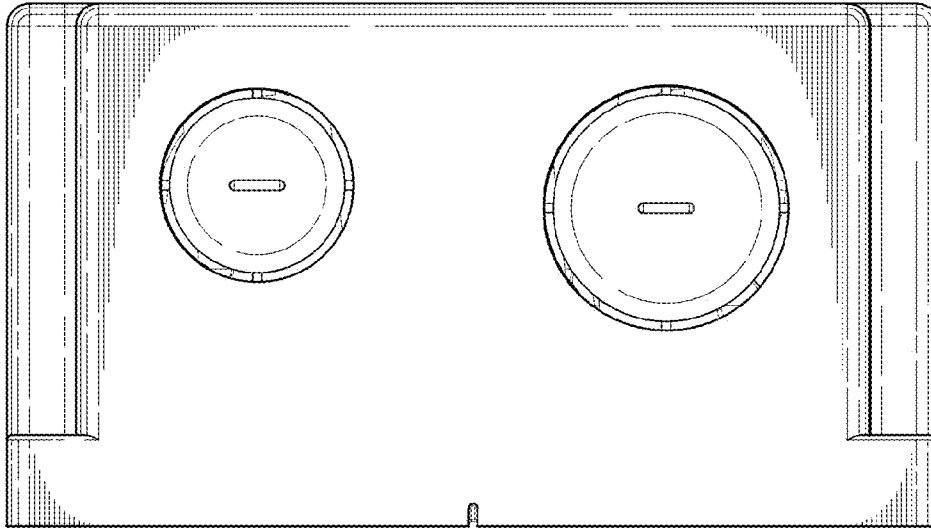


Fig. 4.

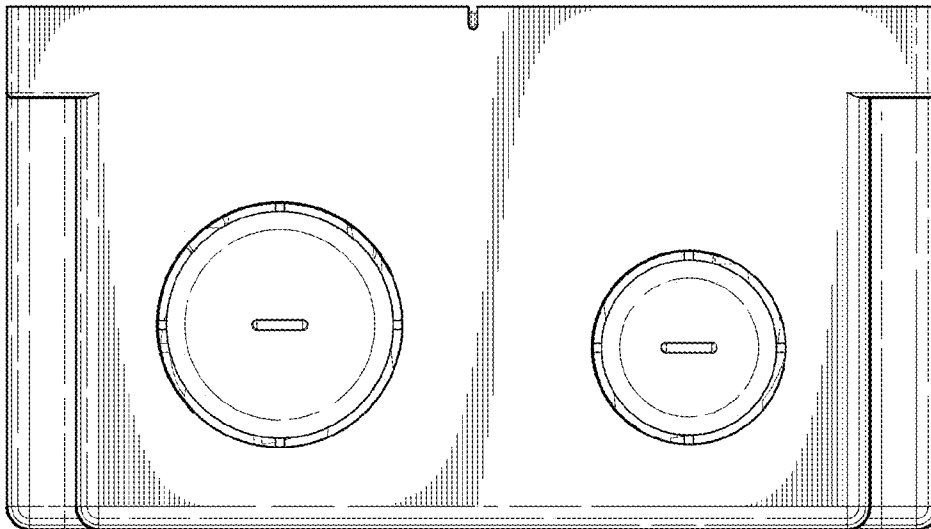


Fig. 5.

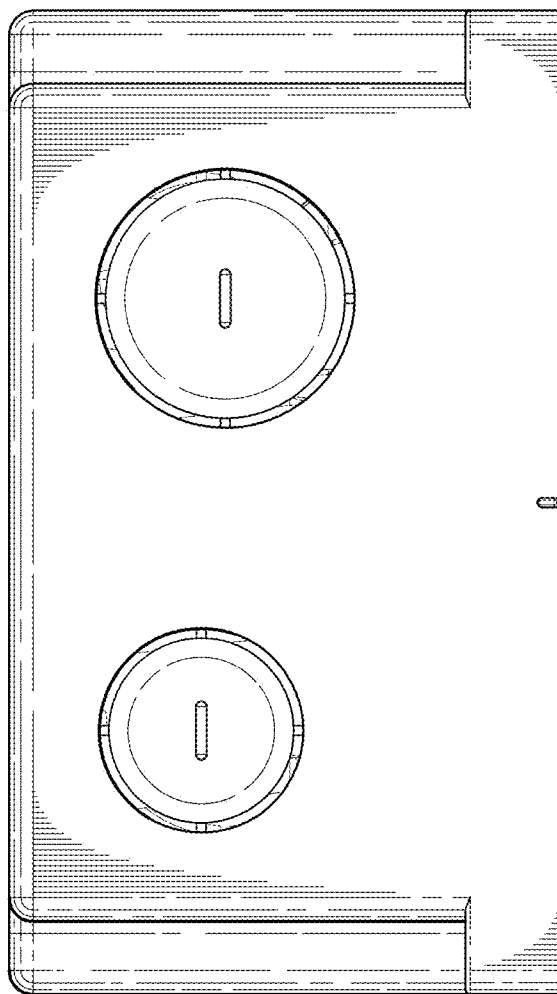


Fig. 6.

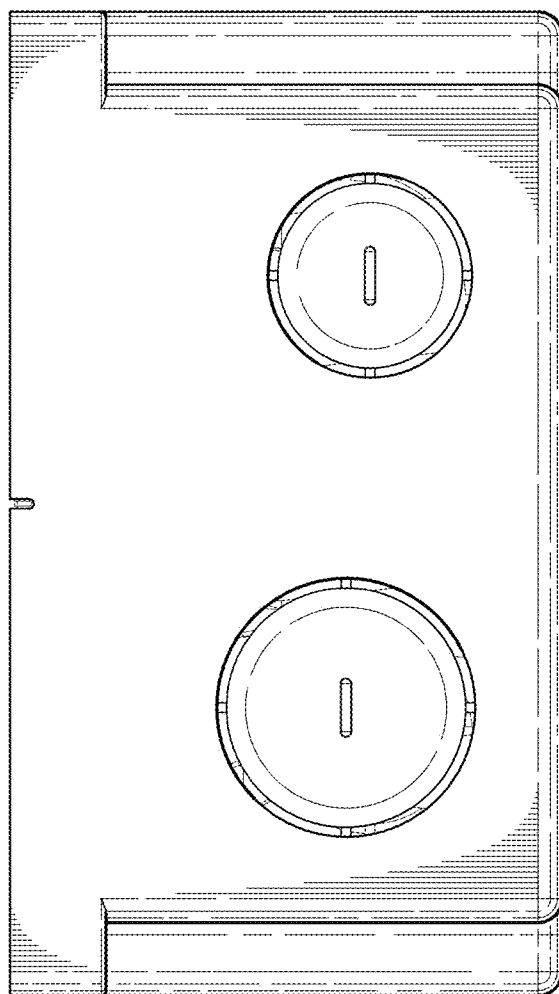


Fig. 7.