

(19) World Intellectual Property Organization
International Bureau



(43) International Publication Date
24 January 2008 (24.01.2008)

PCT

(10) International Publication Number
WO 2008/011328 A3

(51) International Patent Classification:
E02B 5/00 (2006.01)

(21) International Application Number:
PCT/US2007/073353

(22) International Filing Date: 12 July 2007 (12.07.2007)

(25) Filing Language: English

(26) Publication Language: English

(30) Priority Data:
11/489,229 19 July 2006 (19.07.2006) US

(71) Applicant (for all designated States except US): **LIGHTHOUSE INDUSTRIES, INC.** [US/US]; P.O. Box 8905, 107 Eastwood Road, Michigan City, IN 46360 (US).

(72) Inventors; and

(75) Inventors/Applicants (for US only): **FITHIAN, Paul, C.** [US/US]; 3013 Loma Portal Way, Long Beach, IN 46360 (US). **HOLLOWAY, Todd, J.** [US/US]; 3339 LaSalle Trail, Michigan City, IN 46360 (US).

(74) Agent: **PANIAGUAS, John, S.**; Katten Muchin Rosenman LLP, 1025 Thomas Jefferson Street, N.W., East Lobby: Suite 700, Washington, DC 20007-5201 (US).

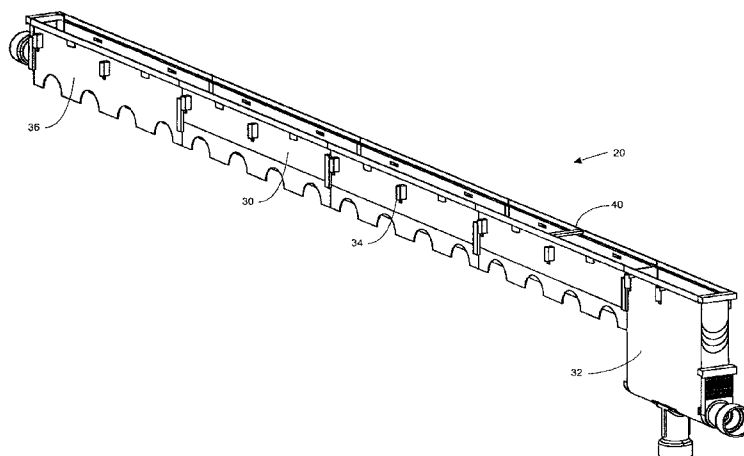
(81) Designated States (unless otherwise indicated, for every kind of national protection available): AE, AG, AL, AM, AT, AU, AZ, BA, BB, BG, BH, **BR**, BW, BY, BZ, CA, CH, CN, CO, CR, CU, CZ, DE, DK, DM, DO, DZ, EC, EE, EG, ES, FI, GB, GD, GE, GH, GM, GT, HN, **HR**, HU, **ID**, IL, IN, IS, **JP**, KE, KG, KM, KN, KP, KR, KZ, LA, LC, LK, LR, LS, LT, LU, LY, MA, MD, ME, MG, MK, MN, MW, MX, MY, MZ, NA, NG, NI, NO, NZ, OM, PG, PH, PL, PT, RO, RS, RU, SC, SD, SE, SG, SK, SL, SM, SV, SY, TJ, TM, TN, TR, TT, TZ, UA, UG, US, UZ, VC, VN, ZA, ZM, ZW

(84) Designated States (unless otherwise indicated, for every kind of regional protection available): ARIPO (BW, GH, GM, KE, LS, MW, MZ, NA, SD, SL, SZ, TZ, UG, ZM, ZW), Eurasian (AM, AZ, BY, KG, KZ, MD, RU, TJ, TM), European (AT, BE, BG, CH, CY, CZ, DE, DK, EE, ES, FI, FR, GB, GR, HU, IE, IS, IT, LT, LU, LV, MC, MT, NL, PL, PT, RO, SE, SI, SK, TR), OAPI (BF, BJ, CF, CG, CI, CM, GA, GN, GQ, GW, ML, MR, NE, SN, TD, TG).

Published:
— with international search report

(88) Date of publication of the international search report:
4 December 2008

(54) Title: PRE-SLOPED TRENCH DRAIN SYSTEM



(57) Abstract: A below grade trench drain system and a method for making the trench drain system is disclosed which does not rely on the contractor's prowess to dig a trench with a proper slope. The trench drain system, in accordance with the present invention, includes a plurality of modular trench sections formed with a uniform exterior height and an interior fluid channel formed with a pre-sloped floor. As such, the trench drain system, in accordance with the present invention, can be installed in a level trench, which greatly simplifies installation by the contractor and ensures that the trench drain will be installed with the proper slope. The modular trench sections can be coupled together forming a trench drain with a continuous slope or alternatively coupled with modular trench sections with no slope to form a stepped slope. The configuration of the modular trench sections allows the modular trench sections to form a trench drain system sloped in different directions to enable connections to the common drain in the center as well as at both ends. As such, the trench drain system provides more configurations for connections to the common drain system thus improving the flexibility of the system and at the same time provide a trench drain system which does not depend on the installation prowess of the installation contractor.



WO 2008/011328 A3

INTERNATIONAL SEARCH REPORT

International application No

PCT/US07/73353

A CLASSIFICATION OF SUBJECT MATTER IPC E02B 5/00(2006 0 1) USPC 405/1 18,80, 126, 119,404/2,3,4,5 According to International Patent Classification (IPC) or to both national classification and IPC		
B FIELDS SEARCHED Minimum documentation searched (classification system followed by classification symbols) U S 405/1 18, 80, 126, 119, 404/2, 3, 4, 5 Documentation searched other than minimum documentation to the extent that such documents are included in the fields searched Electronic data base consulted during the international search (name of data base and, where practicable, search terms used) EAST		
C DOCUMENTS CONSIDERED TO BE RELEVANT		
Category *	Citation of document, with indication, where appropriate, of the relevant passages	Relevant to claim No
x --- y	US 6,027,283 A (SCHWEINBERG et al) 22 February 2000 (22 02 2000), see entire document	1-8, 10-2 1 ----- 9, 13, 22-24
y	US 6,280, 117 B1 (OBERMEYER et al) 28 August 2001 (29 08 200 1), see entire document	9
y	ZURN Z-886 "'6' Wide Trench Drain System", Drawing No 60355, Rev F , March 12, 2004	13
y	ZURN Peram-Trench "Installation Instructions, pp 1-16, June 28, 2000	13
y	US 5,803,662 A (GUNTER) 08 September 1998 (08 09 1998), see entire document	22-25
<input type="checkbox"/> Further documents are listed in the continuation of Box C <input type="checkbox"/> See patent family annex		
* Special categories of cited documents 'A' document defining the general state of the art which is not considered to be of particular relevance 'E' earlier application or patent published on or after the international filing date "L" document which may throw doubts on priority claim(s) or which is cited to establish the publication date of another citation or other special reason (as specified) "O" document referring to an oral disclosure, use, exhibition or other means "P" document published prior to the international filing date but later than the priority date claimed	"T" later document published after the international filing date or priority date and not in conflict with the application but cited to understand the principle or theory underlying the invention 'X' document of particular relevance, the claimed invention cannot be considered novel or cannot be considered to involve an inventive step when the document is taken alone 'Y' document of particular relevance, the claimed invention cannot be considered to involve an inventive step when the document is combined with one or more other such documents, such combination being obvious to a person skilled in the art "&" document member of the same patent family	
Date of the actual completion of the international search 25 August 2008 (25 08 2008)		Date of mailing of the international search report 04 SEP 2008
Name and mailing address of the ISA/US Mail Stop PCT, Attn ISA/US Commissioner for Patents P O Box 1450 Alexandria, Virginia 22313-1450 Facsimile No (57 1) 273-3201		Authorized officer ALLAN SHGAP Telephone No 571-272-3700