



- (51) International Patent Classification:  
H04L 29/06 (2006.01)
- (21) International Application Number:  
PCT/US2013/072404
- (22) International Filing Date:  
27 November 2013 (27.11.2013)
- (25) Filing Language:  
English
- (26) Publication Language:  
English
- (30) Priority Data:  
61/730,797 28 November 2012 (28.11.2012) US  
61/800,274 15 March 2013 (15.03.2013) US  
14/090,868 26 November 2013 (26.11.2013) US  
14/090,959 26 November 2013 (26.11.2013) US  
14/091,049 26 November 2013 (26.11.2013) US

- (71) Applicant: QUALCOMM INCORPORATED [US/US];  
ATTN: International IP Administration, 5775 Morehouse Drive, San Diego, California 92121-1714 (US).
- (72) Inventors: LE NERRIEC, Yohan; QUALCOMM Incorporated, ATTN: International IP Administration, 5775 Morehouse Drive, San Diego, California 92121-1714 (US). BING, Jehan Gerard; QUALCOMM Incorporated, ATTN: International IP Administration, 5775 Morehouse Drive, San Diego, California 92121-1714 (US). GUION, Alexandre; QUALCOMM Incorporated, ATTN: International IP Administration, 5775 Morehouse Drive, San Diego, California 92121-1714 (US). MENTER, Judah John; QUALCOMM Incorporated, ATTN: International IP Administration, 5775 Morehouse Drive, San Diego, Cali-

fornia 92121-1714 (US). TAI, Daniel D.; QUALCOMM Incorporated, ATTN: International IP Administration, 5775 Morehouse Drive, San Diego, California 92121-1714 (US).

- (74) Agent: MAHAMED, Zurvan; Mahamedi Paradise Kreisman LLP, 1901 S. Bascom Ave., Suite 600, Campbell, CA 95008 (US).

- (81) Designated States (unless otherwise indicated, for every kind of national protection available): AE, AG, AL, AM, AO, AT, AU, AZ, BA, BB, BG, BH, BN, BR, BW, BY, BZ, CA, CH, CL, CN, CO, CR, CU, CZ, DE, DK, DM, DO, DZ, EC, EE, EG, ES, FI, GB, GD, GE, GH, GM, GT, HN, HR, HU, ID, IL, IN, IR, IS, JP, KE, KG, KN, KP, KR, KZ, LA, LC, LK, LR, LS, LT, LU, LY, MA, MD, ME, MG, MK, MN, MW, MX, MY, MZ, NA, NG, NI, NO, NZ, OM, PA, PE, PG, PH, PL, PT, QA, RO, RS, RU, RW, SA, SC, SD, SE, SG, SK, SL, SM, ST, SV, SY, TH, TJ, TM, TN, TR, TT, TZ, UA, UG, US, UZ, VC, VN, ZA, ZM, ZW.

- (84) Designated States (unless otherwise indicated, for every kind of regional protection available): ARIPO (BW, GH, GM, KE, LR, LS, MW, MZ, NA, RW, SD, SL, SZ, TZ, UG, ZM, ZW), Eurasian (AM, AZ, BY, KG, KZ, RU, TJ, TM), European (AL, AT, BE, BG, CH, CY, CZ, DE, DK, EE, ES, FI, FR, GB, GR, HR, HU, IE, IS, IT, LT, LU, LV, MC, MK, MT, NL, NO, PL, PT, RO, RS, SE, SI, SK, SM, TR), OAPI (BF, BJ, CF, CG, CI, CM, GA, GN, GQ, GW, KM, ML, MR, NE, SN, TD, TG).

Published:

— with international search report (Art. 21(3))

[Continued on next page]

(54) Title: SYSTEM AND METHOD FOR PROVIDING RIGHTS MANAGEMENT SERVICES FOR NETWORK SERVICES

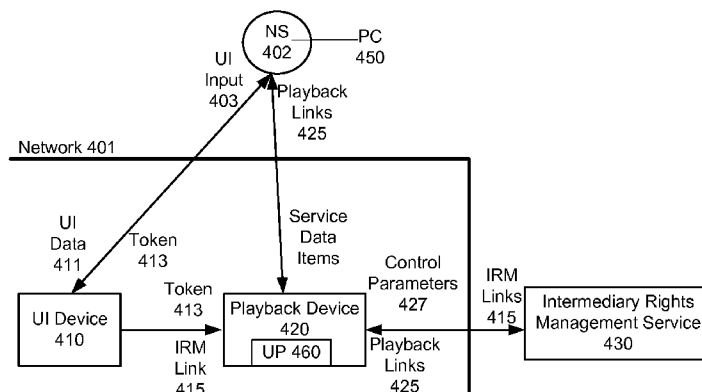


FIG. 4

(57) Abstract: A first device implements an application platform that is shared with a second device. The application platform can be implemented so that the first device and the second device operate to have a same identity to at least the network service. The first device provides a user interface in order to receive input for accessing or using the network service. Additionally, the first device communicates input received in response to providing the user interface to the network service. The first device can receive a token from the network service in response to communicating the input. Additionally, the first device can communicate a set of data items to the second device. The set of data items includes the token and one or more identifiers that enable the second device to access and use the network service while appearing as the first device to the network service.

WO 2014/085705 A3

— *before the expiration of the time limit for amending the claims and to be republished in the event of receipt of amendments (Rule 48.2(h))*

**(88) Date of publication of the international search report:**  
4 September 2014

INTERNATIONAL SEARCH REPORT

International application No  
PCT/US2013/072404

A. CLASSIFICATION OF SUBJECT MATTER  
INV. H04L29/06  
ADD.  
According to International Patent Classification (IPC) or to both national classification and IPC

B. FIELDS SEARCHED  
Minimum documentation searched (classification system followed by classification symbols)  
H04L

Documentation searched other than minimum documentation to the extent that such documents are included in the fields searched

Electronic data base consulted during the international search (name of data base and, where practicable, search terms used)  
EPO-Internal, WPI Data

C. DOCUMENTS CONSIDERED TO BE RELEVANT

Category*	Citation of document, with indication, where appropriate, of the relevant passages	Relevant to claim No.
A	YANG LIU ET AL: "Rights Sharing Scheme for Online DRM System Using Digital Ticket", MANAGEMENT AND SERVICE SCIENCE, 2009. MASS '09. INTERNATIONAL CONFERENCE ON, IEEE, PISCATAWAY, NJ, USA, 20 September 2009 (2009-09-20), pages 1-6, XP031556542, ISBN: 978-1-4244-4638-4 abstract Sections I, II and III Figure 1	1-14
A	US 7 925 592 B1 (ISSA ALFREDO [US] ET AL) 12 April 2011 (2011-04-12) abstract ----- -/--	1-14

Further documents are listed in the continuation of Box C.

See patent family annex.

\* Special categories of cited documents :

"A" document defining the general state of the art which is not considered to be of particular relevance

"E" earlier application or patent but published on or after the international filing date

"L" document which may throw doubts on priority claim(s) or which is cited to establish the publication date of another citation or other special reason (as specified)

"O" document referring to an oral disclosure, use, exhibition or other means

"P" document published prior to the international filing date but later than the priority date claimed

"T" later document published after the international filing date or priority date and not in conflict with the application but cited to understand the principle or theory underlying the invention

"X" document of particular relevance; the claimed invention cannot be considered novel or cannot be considered to involve an inventive step when the document is taken alone

"Y" document of particular relevance; the claimed invention cannot be considered to involve an inventive step when the document is combined with one or more other such documents, such combination being obvious to a person skilled in the art

"&" document member of the same patent family

Date of the actual completion of the international search  12 March 2014	Date of mailing of the international search report  11/07/2014
--	--

Name and mailing address of the ISA/ European Patent Office, P.B. 5818 Patentlaan 2 NL - 2280 HV Rijswijk Tel. (+31-70) 340-2040, Fax: (+31-70) 340-3016	Authorized officer  Bertolissi, Edy
--	---

# INTERNATIONAL SEARCH REPORT

International application No  
PCT/US2013/072404

C(Continuation). DOCUMENTS CONSIDERED TO BE RELEVANT		
Category*	Citation of document, with indication, where appropriate, of the relevant passages	Relevant to claim No.
A	US 2006/173974 A1 (TANG VICTOR [US]) 3 August 2006 (2006-08-03) abstract -----	1-14

# INTERNATIONAL SEARCH REPORT

International application No.  
PCT/US2013/072404

## Box No. II Observations where certain claims were found unsearchable (Continuation of item 2 of first sheet)

This international search report has not been established in respect of certain claims under Article 17(2)(a) for the following reasons:

1.  Claims Nos.:  
because they relate to subject matter not required to be searched by this Authority, namely:
  
2.  Claims Nos.:  
because they relate to parts of the international application that do not comply with the prescribed requirements to such an extent that no meaningful international search can be carried out, specifically:
  
3.  Claims Nos.:  
because they are dependent claims and are not drafted in accordance with the second and third sentences of Rule 6.4(a).

## Box No. III Observations where unity of invention is lacking (Continuation of item 3 of first sheet)

This International Searching Authority found multiple inventions in this international application, as follows:

see additional sheet

1.  As all required additional search fees were timely paid by the applicant, this international search report covers all searchable claims.
  
2.  As all searchable claims could be searched without effort justifying an additional fees, this Authority did not invite payment of additional fees.
  
3.  As only some of the required additional search fees were timely paid by the applicant, this international search report covers only those claims for which fees were paid, specifically claims Nos.:
  
4.  No required additional search fees were timely paid by the applicant. Consequently, this international search report is restricted to the invention first mentioned in the claims; it is covered by claims Nos.:

1-14

### Remark on Protest

- The additional search fees were accompanied by the applicant's protest and, where applicable, the payment of a protest fee.
- The additional search fees were accompanied by the applicant's protest but the applicable protest fee was not paid within the time limit specified in the invitation.
- No protest accompanied the payment of additional search fees.

**FURTHER INFORMATION CONTINUED FROM PCT/ISA/ 210**

This International Searching Authority found multiple (groups of) inventions in this international application, as follows:

1. claims: 1-14

a method and a computer system for providing a network service

---

2. claims: 15-20

a method and a computer system for controlling a playback device

---

# INTERNATIONAL SEARCH REPORT

Information on patent family members

International application No

PCT/US2013/072404

Patent document cited in search report	Publication date	Patent family member(s)	Publication date
US 7925592	B1	12-04-2011	NONE
-----			
US 2006173974	A1	03-08-2006	NONE
-----			