

United States Patent [19]

Takahashi et al.

[11] Patent Number: Des. 321,006

[45] Date of Patent: ** Oct. 22, 1991

[54] COLOR COPY MACHINE

[75] Inventors: Koichi Takahashi; Keisuke Tsuji, both of Suwa, Japan

[73] Assignee: Seiko Epson Corporation, Tokyo, Japan

[**] Term: 14 Years

[21] Appl. No.: 467,573

[22] Filed: Jan. 19, 1990

[30] Foreign Application Priority Data

Jul. 19, 1989 [JP] Japan 1-26703

[52] U.S. Cl. D18/39; D18/36

[58] Field of Search D18/36-39; D14/111, 112, 116, 118; 355/43-45, 49-51, 66, 75, 112, 200, 210, 231, 233-236, 245, 326-328; 354/5, 6, 14, 10

[56] References Cited

U.S. PATENT DOCUMENTS

D. 231,129 4/1974 Case et al. D18/36
D. 242,197 11/1976 Herr et al. D18/39 X

D. 263,312 3/1982 Nakade D18/37
D. 276,051 10/1984 Kosako et al. D18/36
D. 276,347 11/1984 Matsuzaka D18/36
D. 280,632 9/1985 Nakade D18/37
D. 284,864 7/1986 Serikawa et al. D18/36
D. 315,574 3/1991 Komada et al. D18/37
4,933,771 6/1990 Matsuura et al. D18/39 X

Primary Examiner—Nelson C. Holtje
Assistant Examiner—Caron D. Veynar
Attorney, Agent, or Firm—Blum Kaplan

[57] CLAIM

The ornamental design for a color copy machine, as shown and described.

DESCRIPTION

FIG. 1 is a top plan view of a color copy machine showing our new design;
FIG. 2 is a front elevational view thereof;
FIG. 3 is a left side elevational view thereof;
FIG. 4 is a rear elevational view thereof;
FIG. 5 is a right side elevational view thereof;
FIG. 6 is a bottom plan view thereof; and
FIG. 7 is a perspective view thereof.

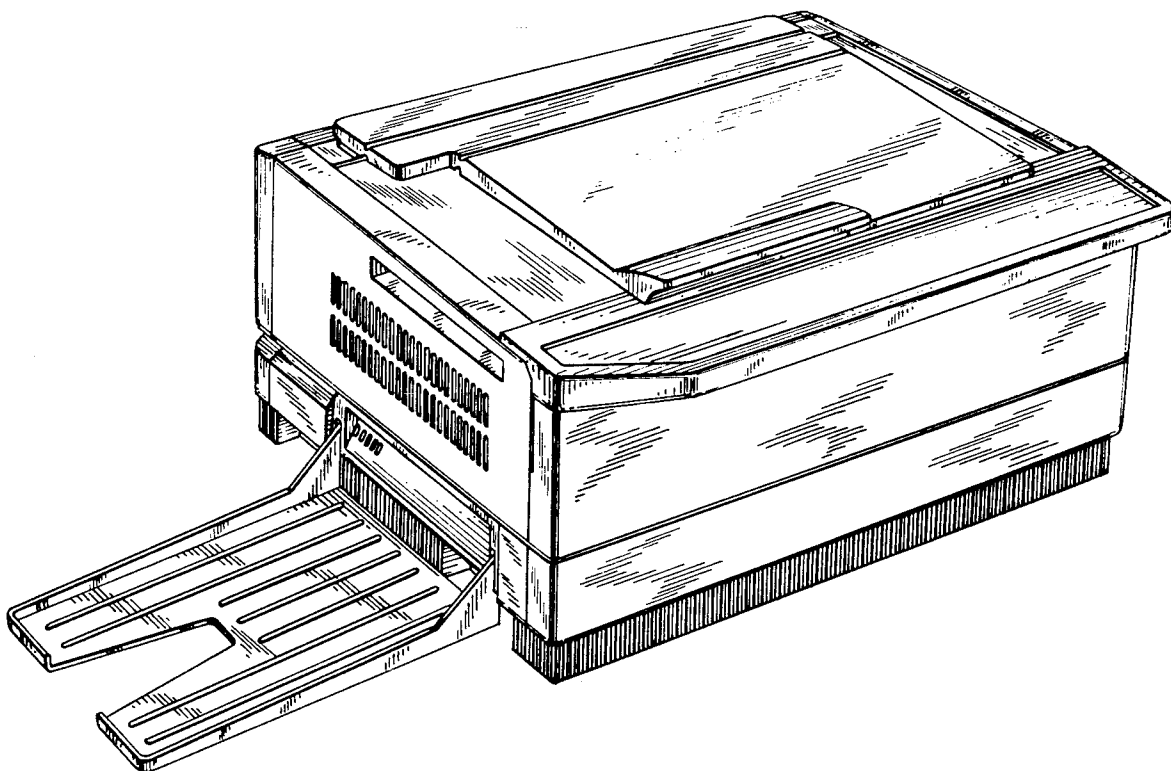


FIG. 1

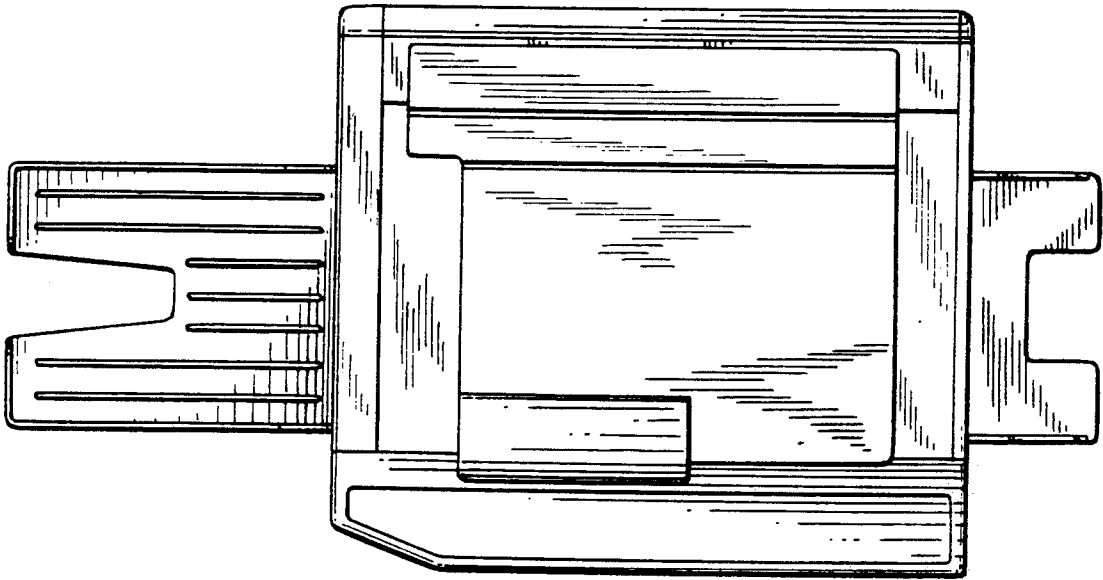


FIG. 2

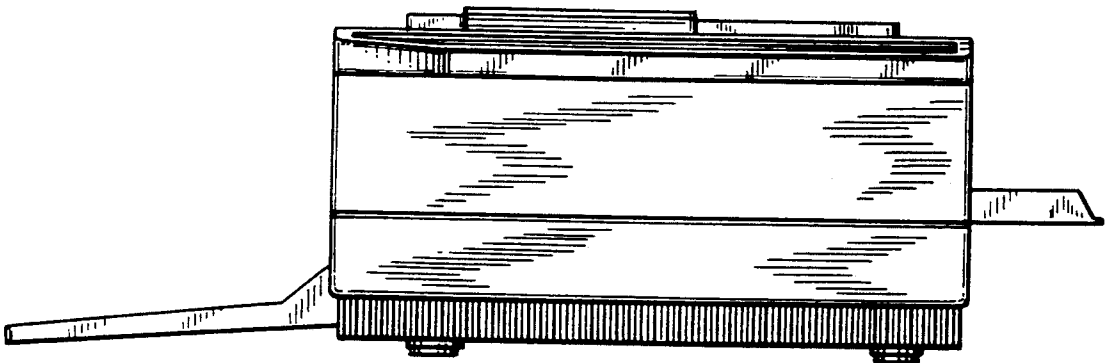


FIG. 3

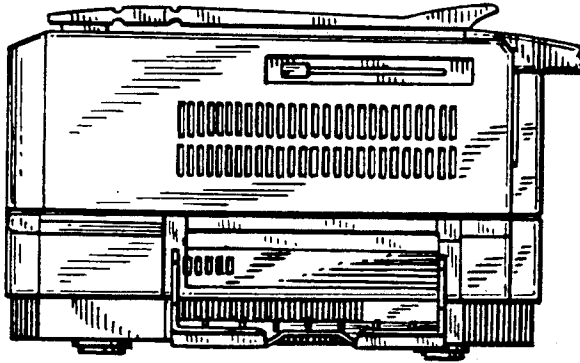


FIG. 4

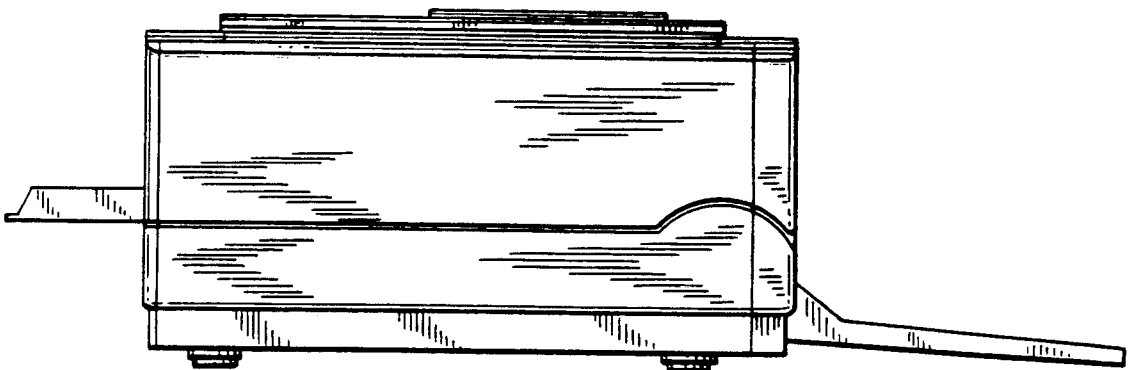


FIG. 5

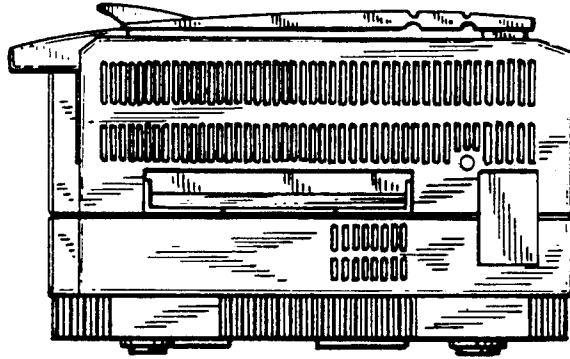
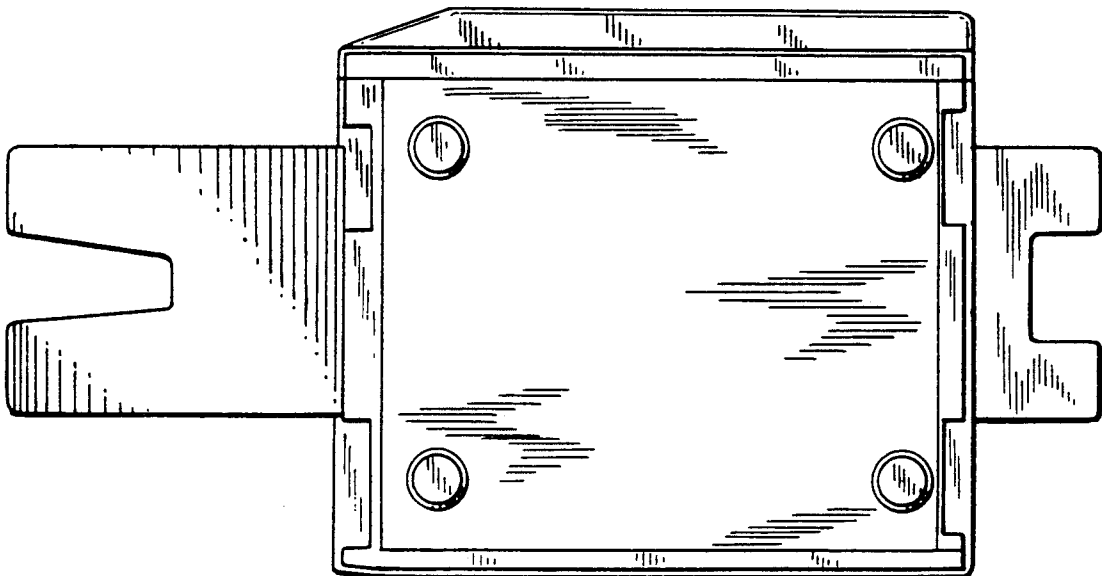


FIG. 6



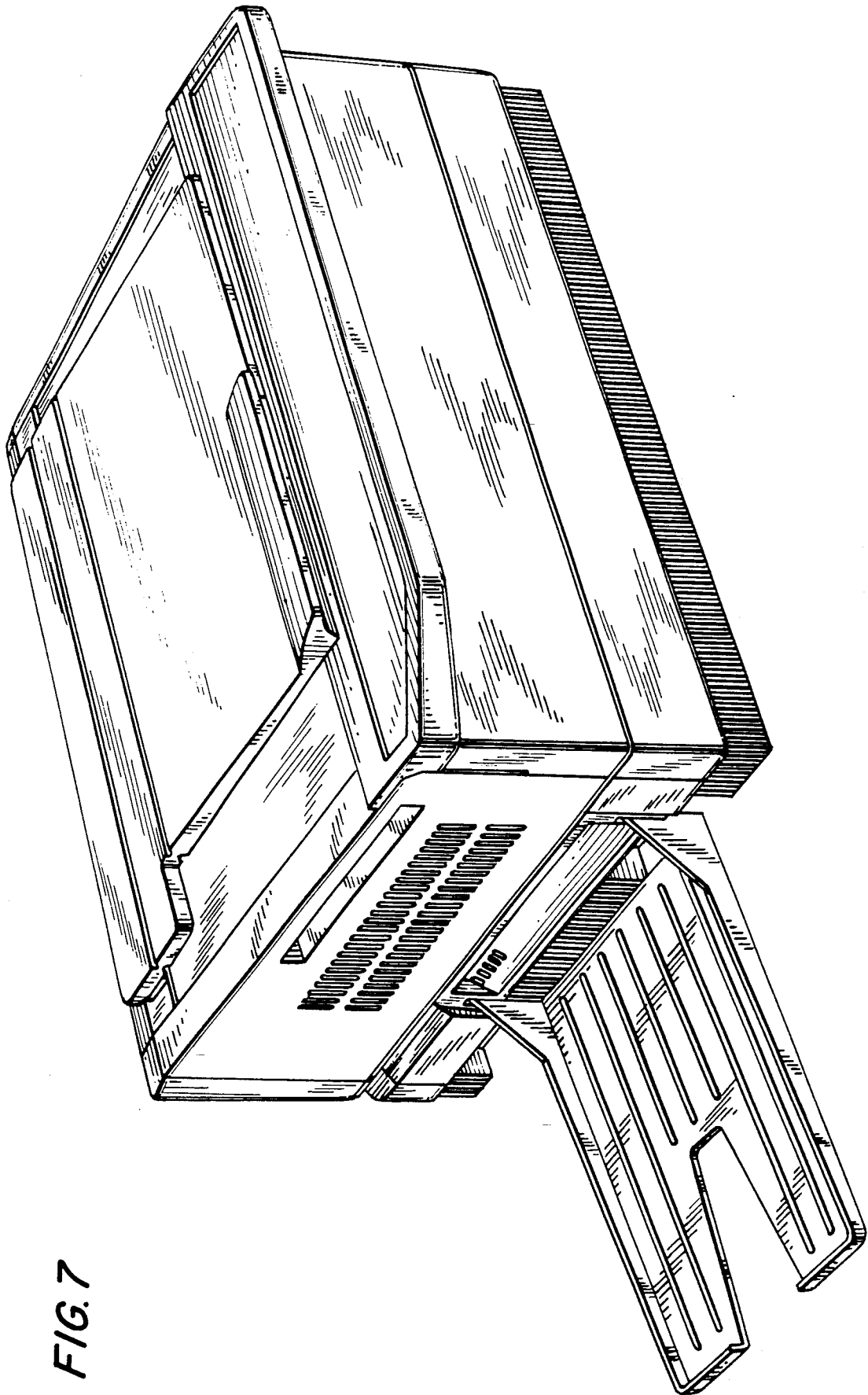


FIG. 7