

(19) World Intellectual Property Organization  
International Bureau



(43) International Publication Date  
24 May 2007 (24.05.2007)

PCT

(10) International Publication Number  
WO 2007/058716 A3

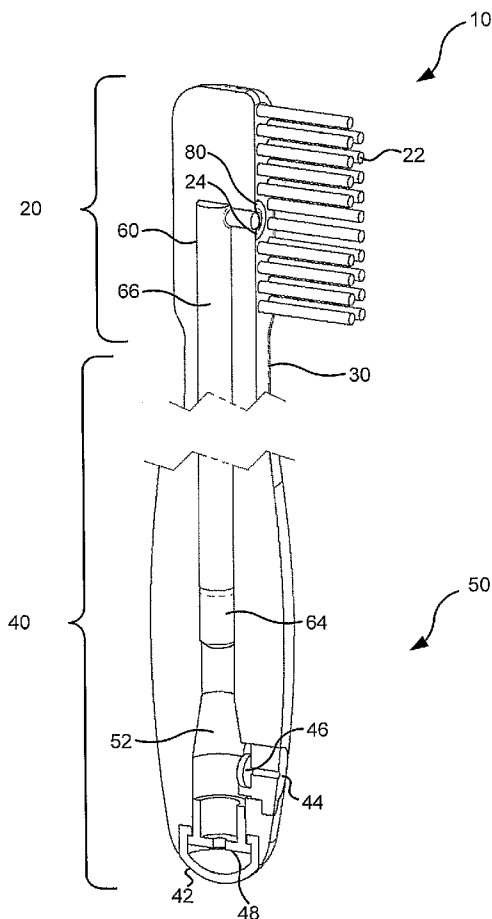
- (51) International Patent Classification:  
B43K 5/02 (2006.01)
- (21) International Application Number:  
PCT/US2006/039674
- (22) International Filing Date: 11 October 2006 (11.10.2006)
- (25) Filing Language: English
- (26) Publication Language: English
- (30) Priority Data:  
60/725,598 11 October 2005 (11.10.2005) US
- (71) Applicant (for all designated States except US): CERA-MATEC, INC. [US/US]; 2425 South 900 West, Salt Lake City, Utah 84119 (US).
- (72) Inventor; and
- (75) Inventor/Applicant (for US only): WOLD, Truman [US/US]; 923 South Greenwood Terrace, Salt Lake City, Utah 84105 (US).
- (74) Agent: FONDA, David; 2425 South 900 West, Salt Lake City, Utah 84119 (US).

- (81) Designated States (unless otherwise indicated, for every kind of national protection available): AE, AG, AL, AM, AT, AU, AZ, BA, BB, BG, BR, BW, BY, BZ, CA, CH, CN, CO, CR, CU, CZ, DE, DK, DM, DZ, EC, EE, EG, ES, FI, GB, GD, GE, GH, GM, HN, HR, HU, ID, IL, IN, IS, JP, KE, KG, KM, KN, KP, KR, KZ, LA, LC, LK, LR, LS, LT, LU, LV, LY, MA, MD, MG, MK, MN, MW, MX, MY, MZ, NA, NG, NI, NO, NZ, OM, PG, PH, PL, PT, RO, RS, RU, SC, SD, SE, SG, SK, SL, SM, SV, SY, TJ, TM, TN, TR, TT, TZ, UA, UG, US, UZ, VC, VN, ZA, ZM, ZW.
- (84) Designated States (unless otherwise indicated, for every kind of regional protection available): ARIPO (BW, GH, GM, KE, LS, MW, NA, SD, SL, SZ, TZ, UG, ZM, ZW), Eurasian (AM, AZ, BY, KG, KZ, MD, RU, TJ, TM), European (AT, BE, BG, CH, CY, CZ, DE, DK, EE, ES, FI, FR, GB, GR, HU, IE, IS, IT, LT, LU, LV, MC, NL, PL, PT, RO, SE, SI, SK, TR), OAPI (BF, BJ, CF, CG, CI, CM, GA, GN, GQ, GW, ML, MR, NE, SN, TD, TG).

Published:  
— with international search report

[Continued on next page]

(54) Title: ACTIVE PUMP TOOTHBRUSH



(57) Abstract: Toothbrushes (10) are provided which incorporate in a handle portion (40) of the toothbrush (10) a volume of a beneficial agent that may be dispensed using an included manual pump mechanism (50). The volume of the beneficial agent provided in the brush and the dispense rate of the beneficial agent may be widely varied. The toothbrush (10) may be constructed to have a beneficial agent volume and dispense rate that are estimated to provide approximately three months of usage to correspond to the length of the effective life of toothbrush bristles (22), thus allowing the entire unit to be disposable upon dispensing of the last of the fluid.

WO 2007/058716 A3



— *before the expiration of the time limit for amending the claims and to be republished in the event of receipt of amendments*

*For two-letter codes and other abbreviations, refer to the "Guidance Notes on Codes and Abbreviations" appearing at the beginning of each regular issue of the PCT Gazette.*

**(88) Date of publication of the international search report:**

6 December 2007

**INTERNATIONAL SEARCH REPORT**

International application No.  
PCT/US06/39674

**A. CLASSIFICATION OF SUBJECT MATTER**  
 IPC(8) - B43K 5/02 (2007.01)  
 USPC - 401/188R  
 According to International Patent Classification (IPC) or to both national classification and IPC

**B. FIELDS SEARCHED**  
 Minimum documentation searched (classification system followed by classification symbols)  
 IPC(8) - B43M 11/06; B43K 5/02; A46B 11/04 (2007.01)  
 USPC - 401/186,188R,270

Documentation searched other than minimum documentation to the extent that such documents are included in the fields searched  
 None

Electronic data base consulted during the international search (name of data base and, where practicable, search terms used)  
 PatBase

**C. DOCUMENTS CONSIDERED TO BE RELEVANT**

Category*	Citation of document, with indication, where appropriate, of the relevant passages	Relevant to claim No.
X	US 6,056,466 A (JOHNSON et al) 02 May 2000 (02.05.2000) entire document	1-7, 10-16, 19-20
-		
Y		8-9, 17-18
Y	US 5,393,153 A (BOUTHILLIER et al) 28 February 1995 (28.02.1995) entire document	8, 17
Y	US 6,902,337 B1 (KUO) 07 June 2005 (07.06.2005) entire document	9, 18

Further documents are listed in the continuation of Box C.

\* Special categories of cited documents:

"A" document defining the general state of the art which is not considered to be of particular relevance	"T" later document published after the international filing date or priority date and not in conflict with the application but cited to understand the principle or theory underlying the invention
"E" earlier application or patent but published on or after the international filing date	"X" document of particular relevance; the claimed invention cannot be considered novel or cannot be considered to involve an inventive step when the document is taken alone
"L" document which may throw doubts on priority claim(s) or which is cited to establish the publication date of another citation or other special reason (as specified)	"Y" document of particular relevance; the claimed invention cannot be considered to involve an inventive step when the document is combined with one or more other such documents, such combination being obvious to a person skilled in the art
"O" document referring to an oral disclosure, use, exhibition or other means	"&" document member of the same patent family
"P" document published prior to the international filing date but later than the priority date claimed	

Date of the actual completion of the international search 13 July 2007	Date of mailing of the international search report <b>27 SEP 2007</b>
---	--

Name and mailing address of the ISA/US Mail Stop PCT, Attn: ISA/US, Commissioner for Patents P.O. Box 1450, Alexandria, Virginia 22313-1450 Facsimile No. 571-273-3201	Authorized officer: Blaine R. Copenheaver PCT Helpdesk: 571-272-4300 PCT OSP: 571-272-7774
---	---