



US0D1048837S

(12) **United States Design Patent**
McFadden

(10) **Patent No.:** **US D1,048,837 S**

(45) **Date of Patent:** **** *Oct. 29, 2024**

(54) **HEALTHCARE MULTITOOl WRENCH WITH SPANNER**

D684,446 S * 6/2013 Nichols B25B 13/16
D8/22
D726,522 S * 4/2015 Wells A62B 3/005
D8/88
D770,250 S * 11/2016 Fischer D8/17
(Continued)

(71) Applicant: **Timothy W. McFadden**, Smithton, IL (US)

(72) Inventor: **Timothy W. McFadden**, Smithton, IL (US)

(*) Notice: This patent is subject to a terminal disclaimer.

(**) Term: **15 Years**

(21) Appl. No.: **29/853,260**

(22) Filed: **Sep. 14, 2022**

(51) **LOC (14) Cl.** **08-05**

(52) **U.S. Cl.**
USPC **D8/19**

(58) **Field of Classification Search**
USPC D8/14, 17, 21, 22, 26
CPC A62B 3/005; A63B 57/50
See application file for complete search history.

(56) **References Cited**

U.S. PATENT DOCUMENTS

D34,137 S *	2/1901	Mercier	D8/17
D59,396 S *	10/1921	Williams	D8/17
D130,756 S *	12/1941	Howard	7/138
D247,686 S *	4/1978	Desjardins	D8/18
D257,383 S *	10/1980	Davenport	D8/19
D274,404 S *	6/1984	Adler	D8/28
D274,881 S *	7/1984	Wilsey	D8/29
D275,446 S *	9/1984	McSwain	D8/89
D300,160 S *	3/1989	Johnson	D21/793
D420,261 S *	2/2000	Carter, Jr.	D8/16
D434,290 S *	11/2000	McMullin	D8/27
D434,291 S *	11/2000	Kim	D8/21
6,848,342 B2	2/2005	Bergfeld, III	
D633,161 S *	2/2011	Ringl	D21/793
D642,029 S *	7/2011	Rollinson	A63B 57/00
			D8/26
D672,625 S *	12/2012	Serret	D8/17
D675,076 S *	1/2013	Oachs	D8/17

FOREIGN PATENT DOCUMENTS

CN	304115929	*	4/2017
CN	304246528	*	8/2017
CN	305248585	*	7/2019

OTHER PUBLICATIONS

Smiths Medical Bivona Tracheostomy Tube Accessories—Tracheostomy Tube, Disconnect Wedge, Nonsterile, 15 mm—DWG300; Smiths Medical; Grayline Medical; May 22, 2022; Acc Mar. 27, 2024; URL:<https://web.archive.org/web/20220522092505/https://www.graylinemedical.com/products/smiths-medical-bivona-tracheostomy-tube-accessories-tracheostomy-tube-disconnect-wedge-nonsterile-15-mm-dwg300> (Year: 2022).*

Primary Examiner — Rachel A. Voorhies
Assistant Examiner — Benjamin D. Wannemacher
(74) *Attorney, Agent, or Firm* — Grace J. Fishel

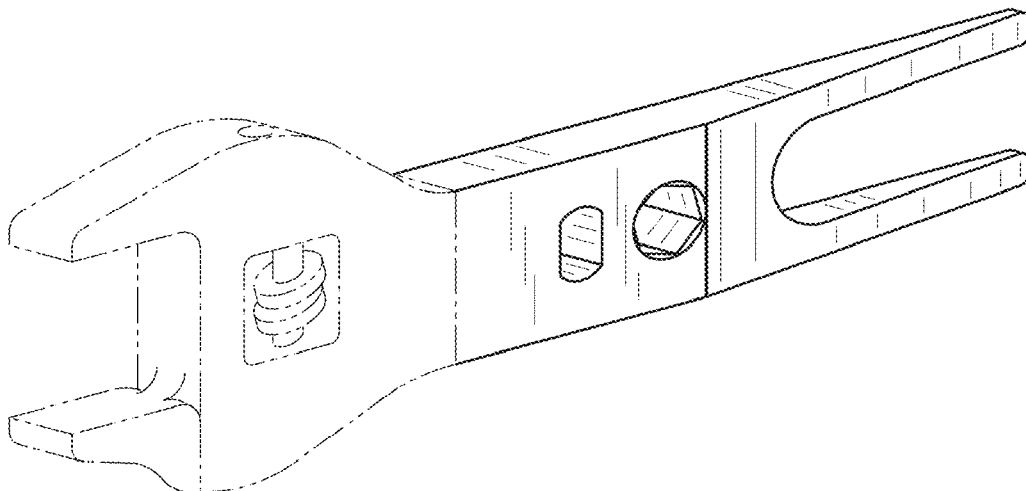
(57) **CLAIM**

The ornamental design for a healthcare multitool wrench with spanner as shown and described.

DESCRIPTION

FIG. 1 is a perspective view of a healthcare multitool wrench with spanner showing my new design;
FIG. 2 is a top plan view thereof;
FIG. 3 is a bottom plan view thereof;
FIG. 4 is a front elevation view thereof;
FIG. 5 is a rear elevation view thereof;
FIG. 6 is a top side view thereof; and,
FIG. 7 is a bottom side view thereof.
The spanner shown in broken lines is not part of the ornamental design as claimed.

1 Claim, 2 Drawing Sheets



(56)

References Cited

U.S. PATENT DOCUMENTS

D781,125	S *	3/2017	Manor	D8/105
9,676,091	B2	6/2017	Kania	
D795,037	S *	8/2017	Weinmeister	D8/89
D799,297	S *	10/2017	Manor	D8/105
D805,862	S *	12/2017	Blackmon	D8/14
D806,491	S *	1/2018	Glover	D8/27
D815,503	S *	4/2018	Ruqian	D8/22
D869,253	S *	12/2019	Wooters	D8/18
D927,954	S *	8/2021	Pfeiffer	D8/31
D971,366	S *	11/2022	O'Leary	D21/793
D973,817	S *	12/2022	Reich	D21/793
D998,075	S *	9/2023	Valentine	D21/793
D999,864	S *	9/2023	Valentine	D21/793
D1,014,208	S *	2/2024	Martin	D8/26
2010/0199814	A1	8/2010	Lee et al.	
2011/0162150	A1	7/2011	Yu et al.	
2022/0032140	A1*	2/2022	Regalado	A46B 5/02
2022/0409968	A1*	12/2022	Goserud	A63B 57/207
2023/0347219	A1*	11/2023	Sklar	A63B 57/10

* cited by examiner

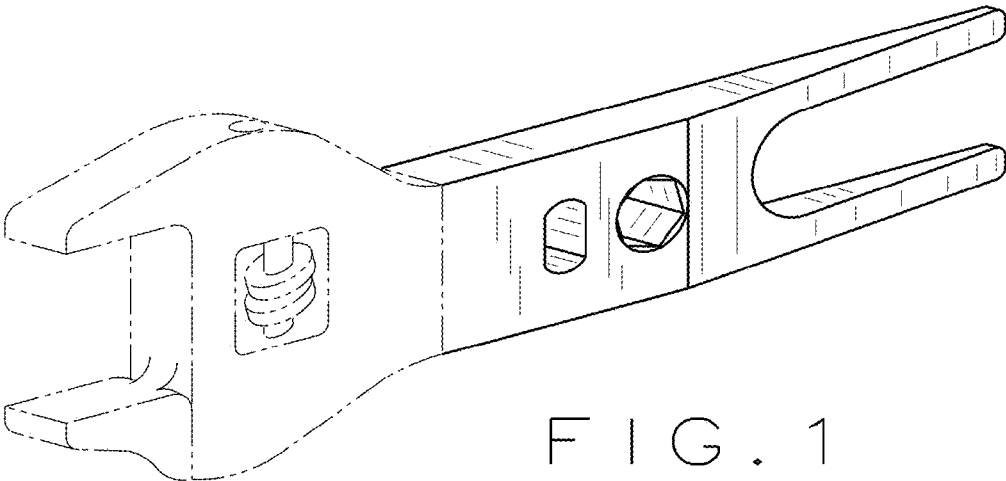


FIG. 1

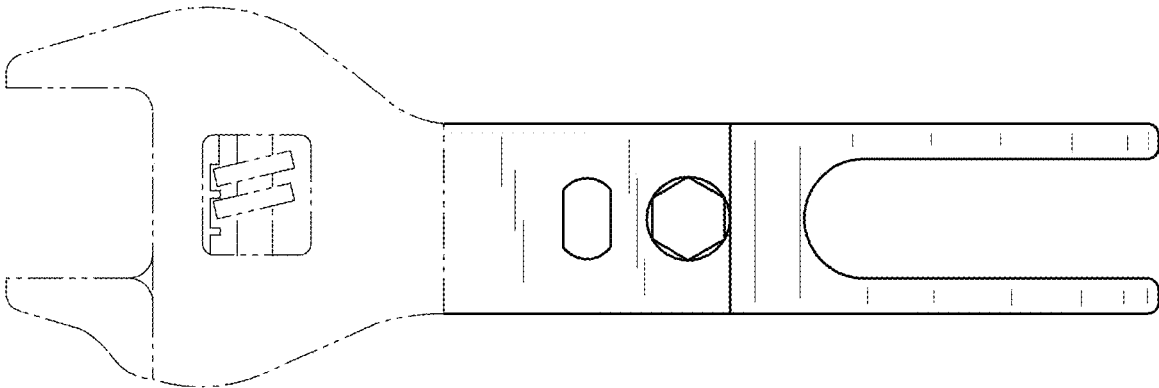


FIG. 2

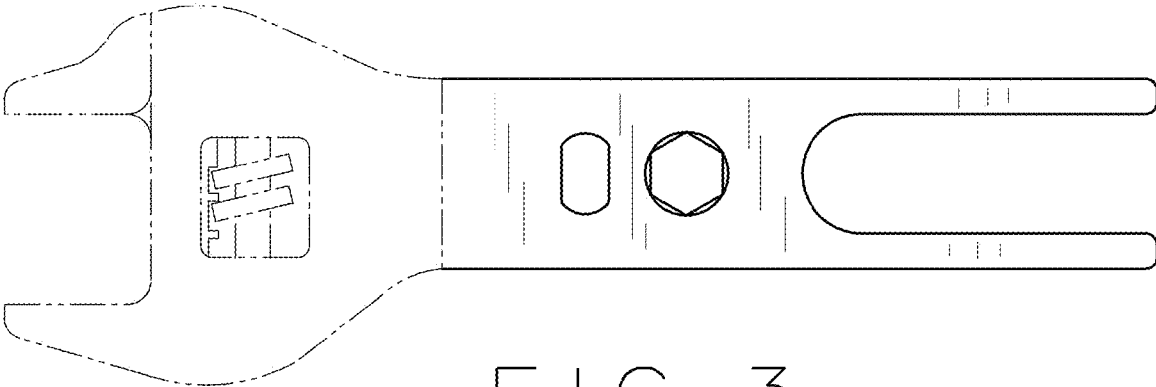


FIG. 3

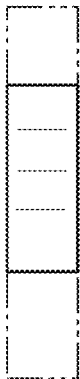


FIG. 4



FIG. 5



FIG. 6



FIG. 7