



US00D562191S

(12) **United States Design Patent**  
**Kushima et al.**

(10) **Patent No.:** **US D562,191 S**

(45) **Date of Patent:** **\*\* Feb. 19, 2008**

(54) **FRONT GRILLE FOR AN AUTOMOBILE**

D539,707 S \* 4/2007 Golden et al. .... D12/163  
D541,707 S \* 5/2007 Komuro ..... D12/163

(75) Inventors: **Yukio Kushima, Anjo (JP); Shuusaku Kodama, Aichi-ken (JP)**

**OTHER PUBLICATIONS**

(73) Assignee: **Toyota Jidosha Kabushiki Kaisha (JP)**

Brochure for Toyota Camry issued by Toyota Jidosha Kabushiki Kaisha, Mar. 2005.

(\*\*) Term: **14 Years**

Brochure for Toyota Harrier (Hybrid), issued by Toyota Jidosha Kabushiki Kaisha, Mar. 2005.

(21) Appl. No.: **29/272,008**

\* cited by examiner

(22) Filed: **Jan. 30, 2007**

*Primary Examiner*—Melody N. Brown

(74) *Attorney, Agent, or Firm*—Saidman DesignLaw Group

(51) **LOC (8) Cl.** ..... **12-16**

(52) **U.S. Cl.** ..... **D12/163**

(58) **Field of Classification Search** ..... D12/163,  
D12/171, 90-92, 216, 169, 196; 180/68.1,  
180/68.6; 296/193.11; 293/102, 113, 115  
See application file for complete search history.

(57) **CLAIM**

The ornamental design for a front grille for an automobile, as shown and described.

(56) **References Cited**

**DESCRIPTION**

**U.S. PATENT DOCUMENTS**

D525,571 S \* 7/2006 Kouzai ..... D12/163  
D535,221 S \* 1/2007 Lau et al. .... D12/163  
D535,224 S \* 1/2007 Kubota et al. .... D12/163  
D535,591 S \* 1/2007 Schiavone ..... D12/163  
D536,284 S \* 2/2007 Nakamura et al. .... D12/163

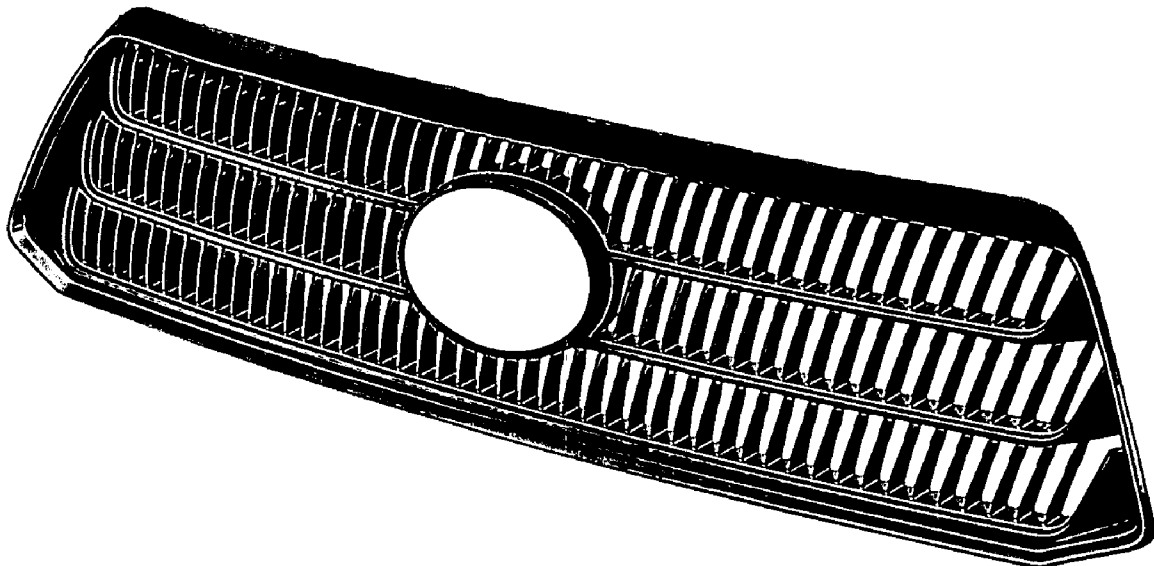
FIG. 1 is a front perspective view of a front grille for an automobile showing our new design;

FIG. 2 is a front elevational view thereof;

FIG. 3 is a top plan view thereof; and,

FIG. 4 is a right-side elevational view thereof.

**1 Claim, 1 Drawing Sheet**



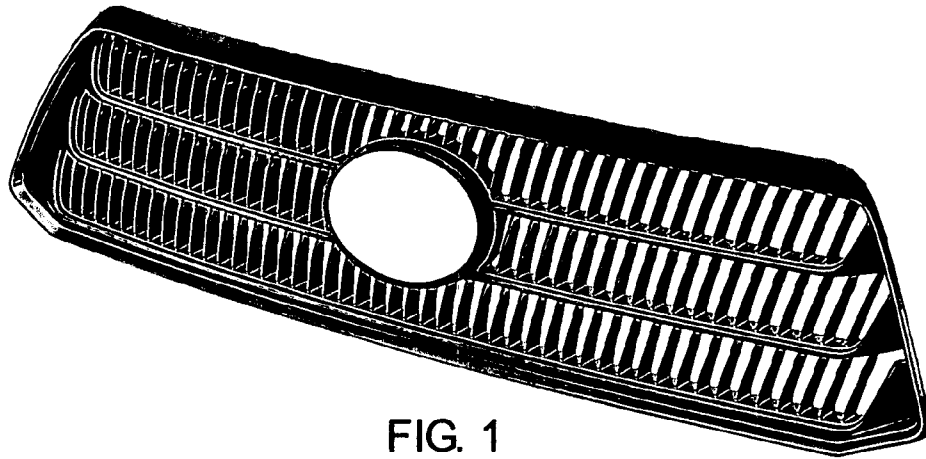


FIG. 1

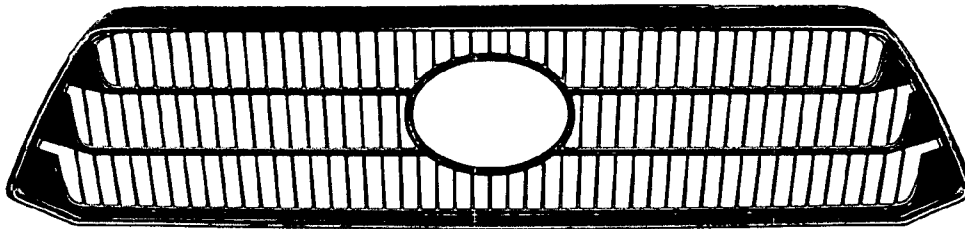


FIG. 2



FIG. 3



FIG. 4