



(12) **United States Design Patent**  
**McGee**

(10) **Patent No.:** **US D1,006,299 S**  
(45) **Date of Patent:** **\*\* Nov. 28, 2023**

(54) **LIGHTING FIXTURE**

(57) **CLAIM**

(71) Applicant: **Wangs Alliance Corporation**, Port Washington, NY (US)

The ornamental design for a lighting fixture, as shown and described.

(72) Inventor: **Molly E. McGee**, Tiverton, RI (US)

(73) Assignee: **WANGS ALLIANCE CORPORATION**, Port Washington, NY (US)

**DESCRIPTION**

(\*\*) Term: **15 Years**

This application is related to commonly assigned, co-filed U.S. design patent application Ser. No. 29/791,034, filed on Dec. 27, 2021 by Molly E. McGee, entitled "Lighting Fixture", and commonly assigned, co-filed U.S. design patent application Ser. No. 29/791,036, filed on Dec. 27, 2021 by Molly E. McGee, entitled "Lighting Fixture", which applications are incorporated herein by reference in their entireties.

(21) Appl. No.: **29/791,035**

(22) Filed: **Dec. 27, 2021**

(51) **LOC (14) Cl.** ..... **26-05**

(52) **U.S. Cl.**

USPC ..... **D26/155; D26/81**

(58) **Field of Classification Search**

USPC ... D26/80-92, 118, 120, 128, 138, 142-145, D26/155; D20/17, 41, 42

(Continued)

FIG. 1 is a front right perspective view from below of a lighting fixture according to the new design; FIG. 2 is a rear left perspective view from above thereof; FIG. 3 is a front elevational view thereof; FIG. 4 is a rear elevational view thereof; FIG. 5 is a left side elevational view thereof; FIG. 6 is a right side elevational view thereof; FIG. 7 is a top view thereof; FIG. 8 is a bottom view thereof; FIG. 9 is a front left perspective view thereof, but shown in a rotated configuration; FIG. 10 is a front right perspective view from below thereof, but shown illuminated; FIG. 11 is a rear left perspective view from above thereof; FIG. 12 is a front elevational view thereof; FIG. 13 is a rear elevational view thereof; FIG. 14 is a left side elevational view thereof; FIG. 15 is a right side elevational view thereof; FIG. 16 is a top view thereof; FIG. 17 is a bottom view thereof; and, FIG. 18 is a front left perspective view thereof. The broken lines in the drawings illustrate portions of the lighting fixture that form no part of the claimed design. The stippling shown in FIGS. 10-13 and 18 is solely for the purpose of illustrating the appearance of illumination and does not represent texture or surface ornamentation.

(56) **References Cited**

**U.S. PATENT DOCUMENTS**

D635,709 S \* 4/2011 Federico ..... D26/88  
D661,421 S \* 6/2012 Hor ..... D26/63

(Continued)

**OTHER PUBLICATIONS**

Hinkley, Folio Medium Flush Mount Light. First available unknown. Searched on Jun. 13, 2023. [https://www.hinkley.com/32503blk.html] (Year: 2023).\*

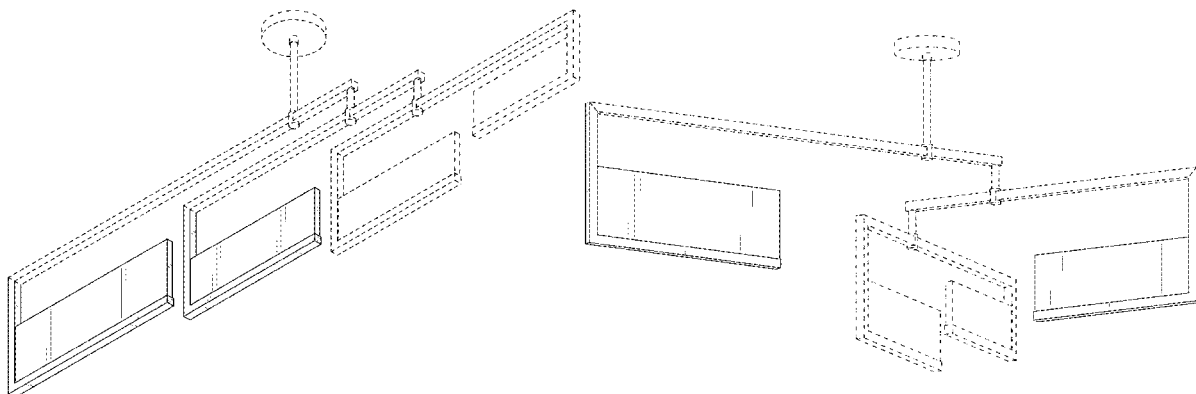
(Continued)

*Primary Examiner* — W. A. Teddy Falloway

*Assistant Examiner* — Melissa A Santos

(74) *Attorney, Agent, or Firm* — Heslin Rothenberg Farley & Mesiti P.C.

**1 Claim, 14 Drawing Sheets**



(58) **Field of Classification Search**  
 CPC .... F21S 8/04; F21S 8/043; F21S 8/046; F21S  
 8/06; F21S 8/061; F21S 8/063; F21S  
 8/065; F21S 8/066; F21S 8/068  
 See application file for complete search history.

D953,602 S *	5/2022	Herkner .....	D26/88
D955,624 S *	6/2022	Liu .....	D26/87
D956,273 S *	6/2022	Wang .....	D26/85
D970,787 S *	11/2022	Zheng .....	D26/86
D984,163 S *	4/2023	LeBail .....	D6/513
D990,749 S *	6/2023	McGee .....	D26/85
D992,794 S *	7/2023	Staples .....	D26/81

(56) **References Cited**

U.S. PATENT DOCUMENTS

D670,019 S *	10/2012	Sabernig .....	D26/85
D689,647 S *	9/2013	Brott .....	D26/88
D701,634 S *	3/2014	Tomlinson .....	D26/85
D711,040 S *	8/2014	Huang .....	D26/120
D713,088 S *	9/2014	Kitts .....	D26/85
D729,438 S *	5/2015	Hillstrom .....	D25/103
D744,138 S *	11/2015	O'Leary .....	D26/63
D773,220 S *	12/2016	Soland .....	D6/708
D780,979 S *	3/2017	Urquiola .....	D26/88
D787,733 S *	5/2017	Sonneman .....	D26/85
D816,882 S *	5/2018	Qiao .....	D26/86
D849,991 S *	5/2019	Piedra .....	D26/118
D862,767 S *	10/2019	Pomputius .....	D26/81
D869,059 S *	12/2019	Adelman .....	D26/113
D870,953 S *	12/2019	Coombes .....	D26/81
D893,791 S *	8/2020	Lin .....	D26/63
D917,768 S *	4/2021	Chen .....	D26/87
D919,161 S *	5/2021	Gillespie .....	D26/90
D921,759 S *	6/2021	Larsen .....	D20/42
D948,100 S *	4/2022	Coombes .....	D26/81
D950,827 S *	5/2022	Amato .....	D26/81
D952,926 S *	5/2022	Van Duysen .....	D26/81

OTHER PUBLICATIONS

Modern Forms, Memory Pendant Light. First available unknown. Searched on Jun. 13, 2023. [<https://www.modernforms.com/product/memory/>] (Year: 2023).\*

Kichler Elan, Vega Pendant Light. First available Jul. 5, 2018. Searched on Jun. 13, 2023. [<https://www.amazon.com/Kichler-Company-84051-Pendant-Ceiling/dp/B07F9FJ7FP>] (Year: 2018).\*

Hinkley, Folio Large Three Tier Pendant Light. First available unknown. Searched on Jun. 13, 2023. [<https://www.hinkley.com/32508blk.html>] (Year: 2023).\*

Retro Hanging Tabletop Mobile, Contemporary Art Mobiles By Joel Hotchkiss, West Stockbridge, Massachusetts, printout on Dec. 25, 2021, available at <https://www.artmobiles.com/rehatamo.html> (Wayback Verification Crawl Presence dated Sep. 30, 2020), 4 pages, Sep. 30, 2020.

Molly E. McGee, pending Design U.S. Appl. No. 29/791,034, filed Dec. 27, 2021, entitled "Lighting Fixture".

Molly E. McGee, pending Design U.S. Appl. No. 29/791,036, filed Dec. 27, 2021, entitled "Lighting Fixture".

\* cited by examiner

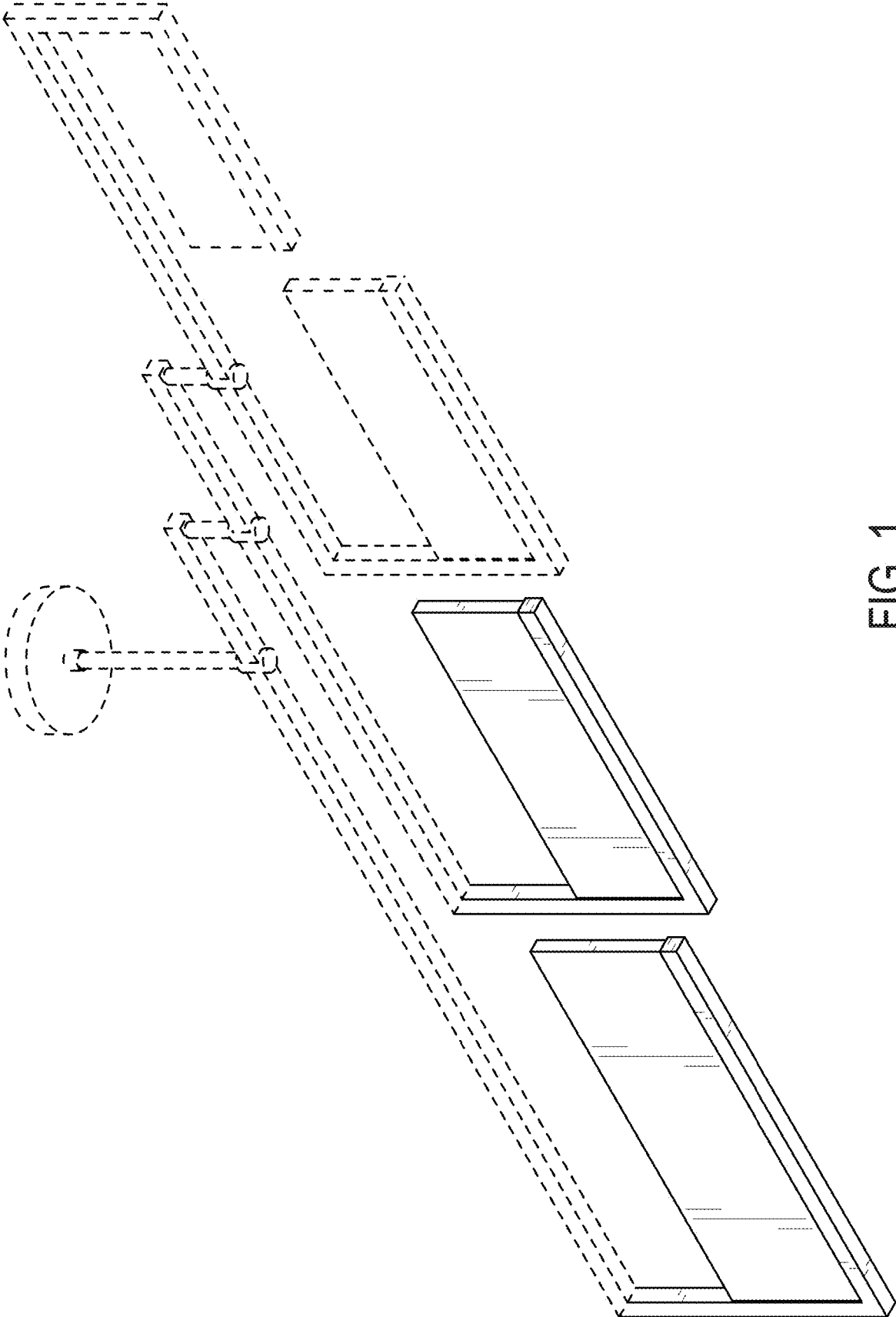


FIG. 1

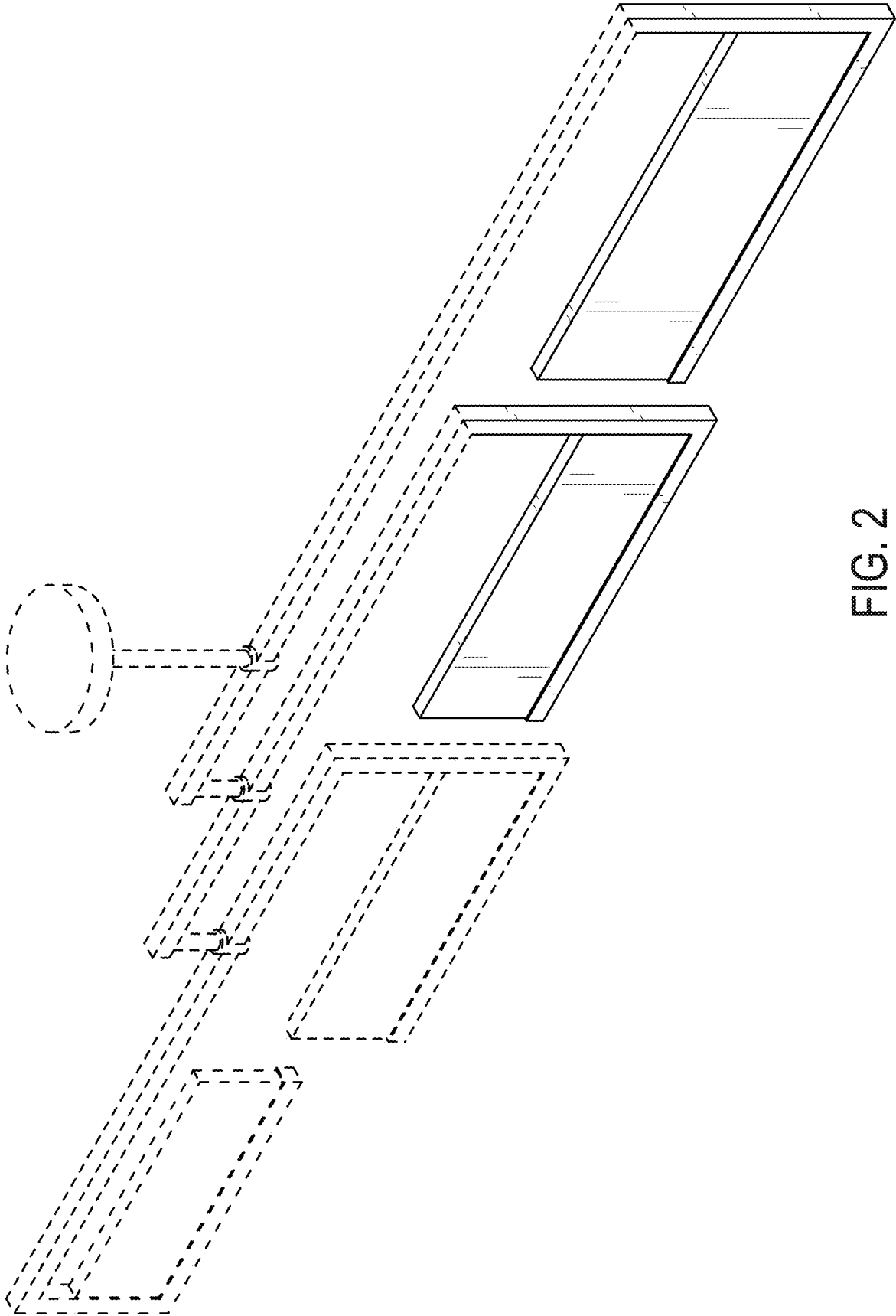


FIG. 2

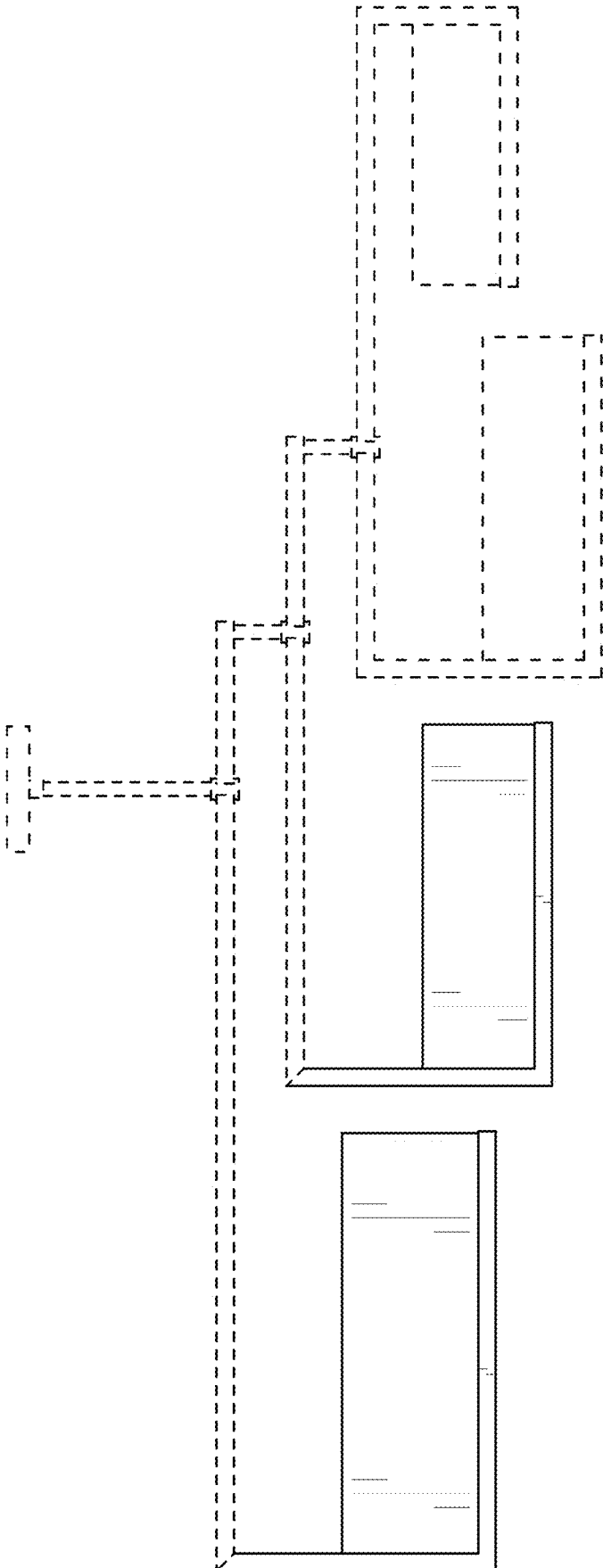


FIG. 3

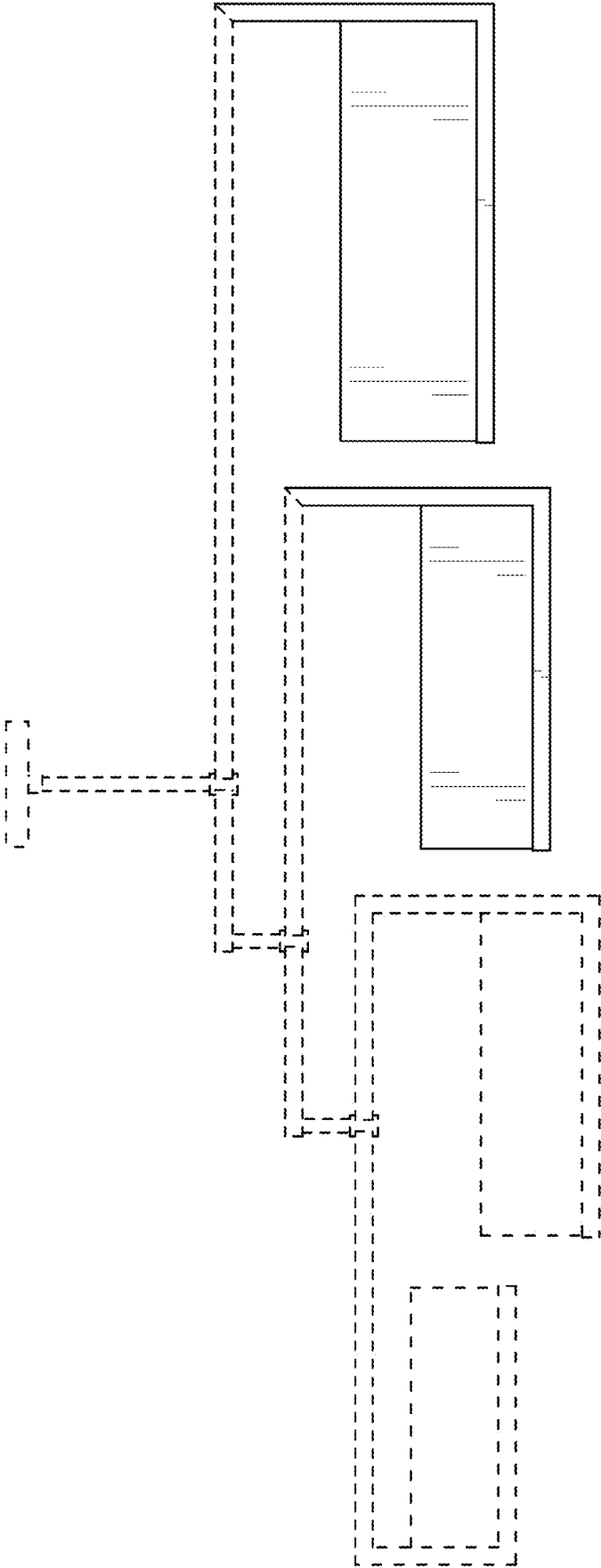


FIG. 4

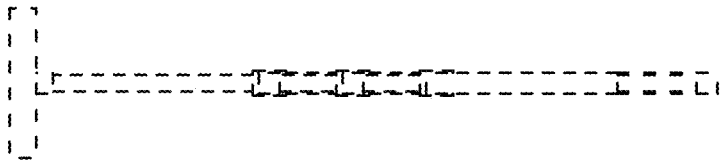


FIG. 6

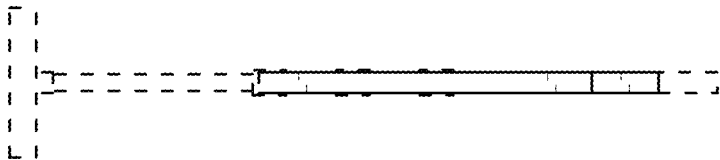


FIG. 5

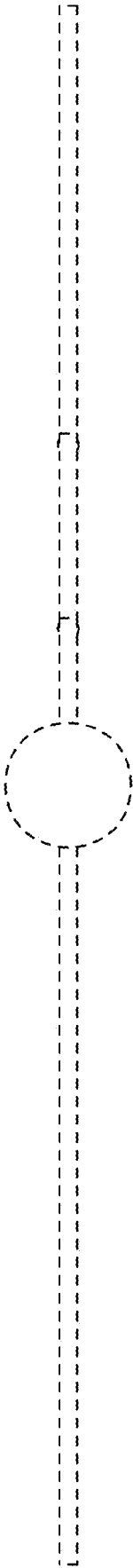


FIG. 7

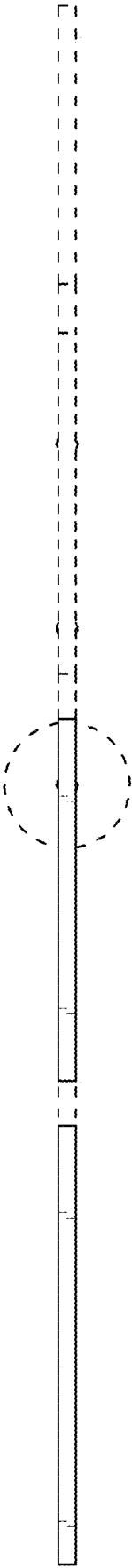


FIG. 8

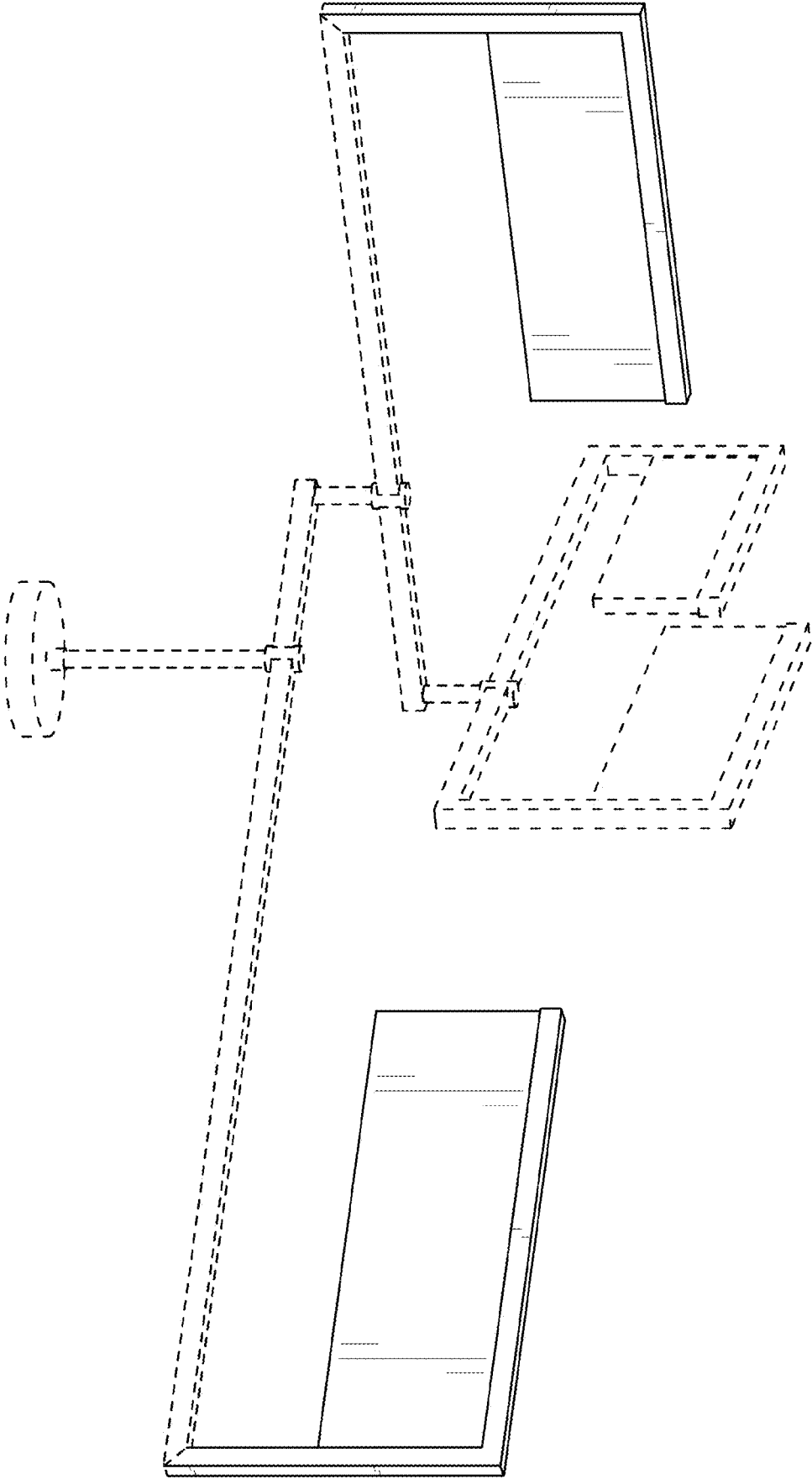


FIG. 9

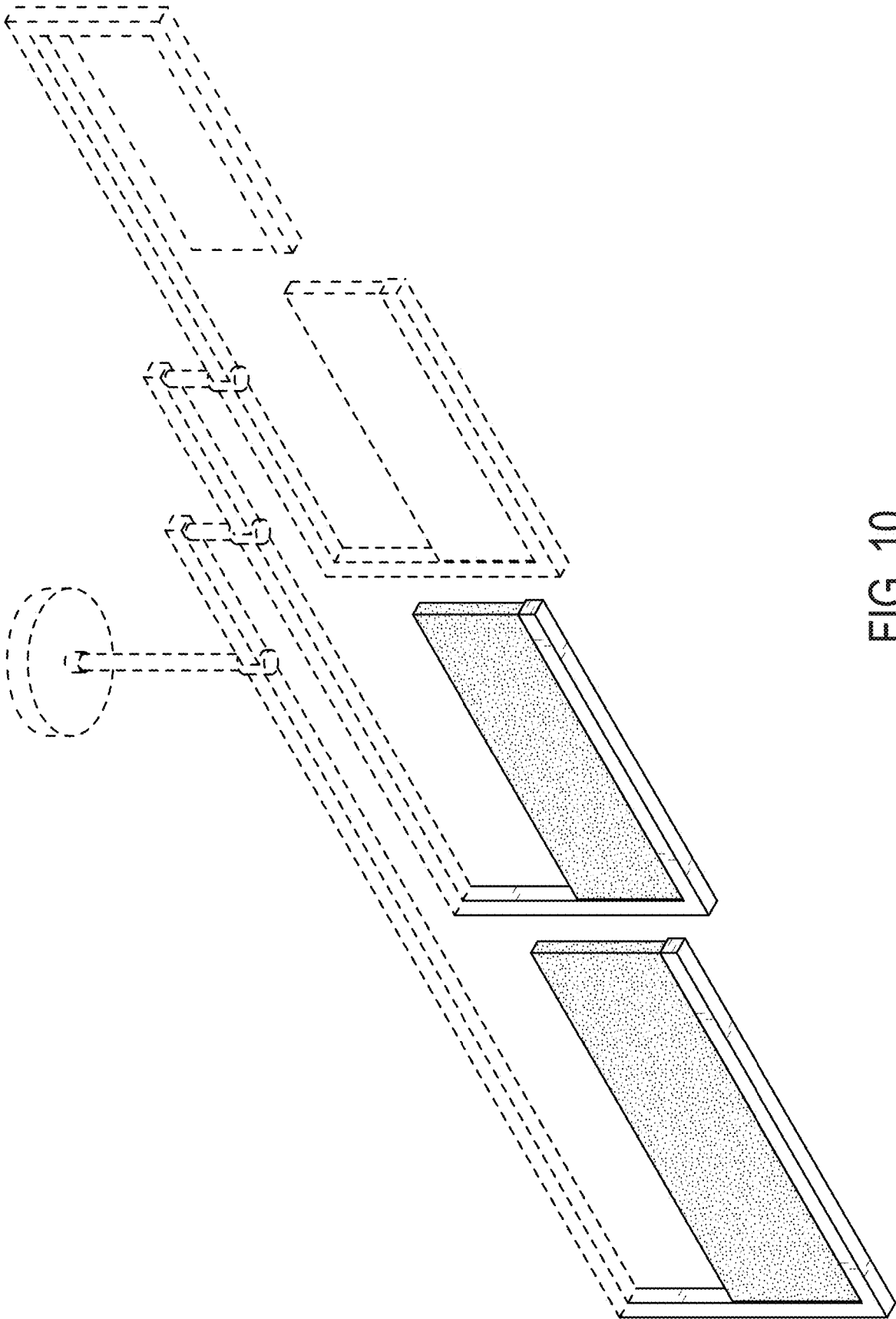


FIG. 10

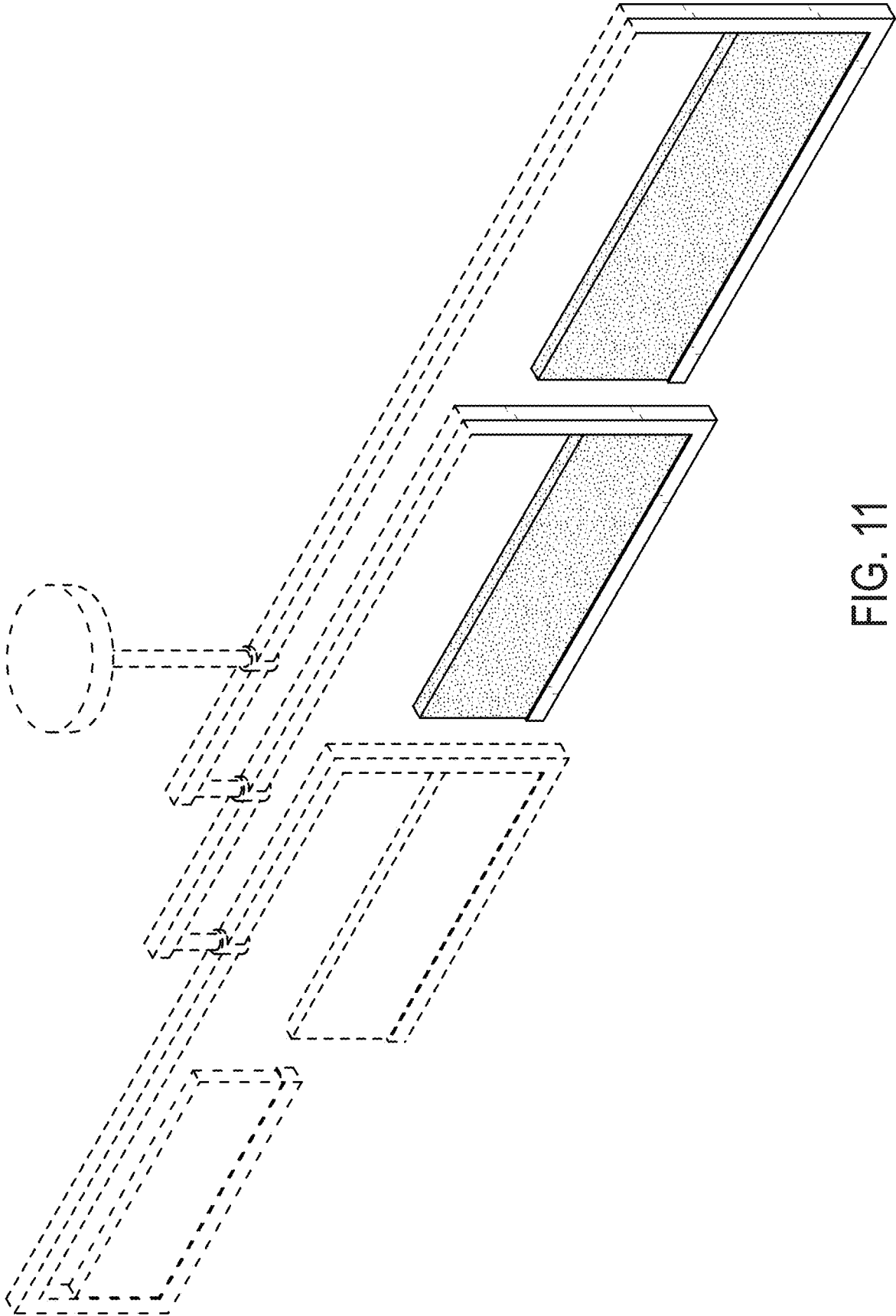


FIG. 11

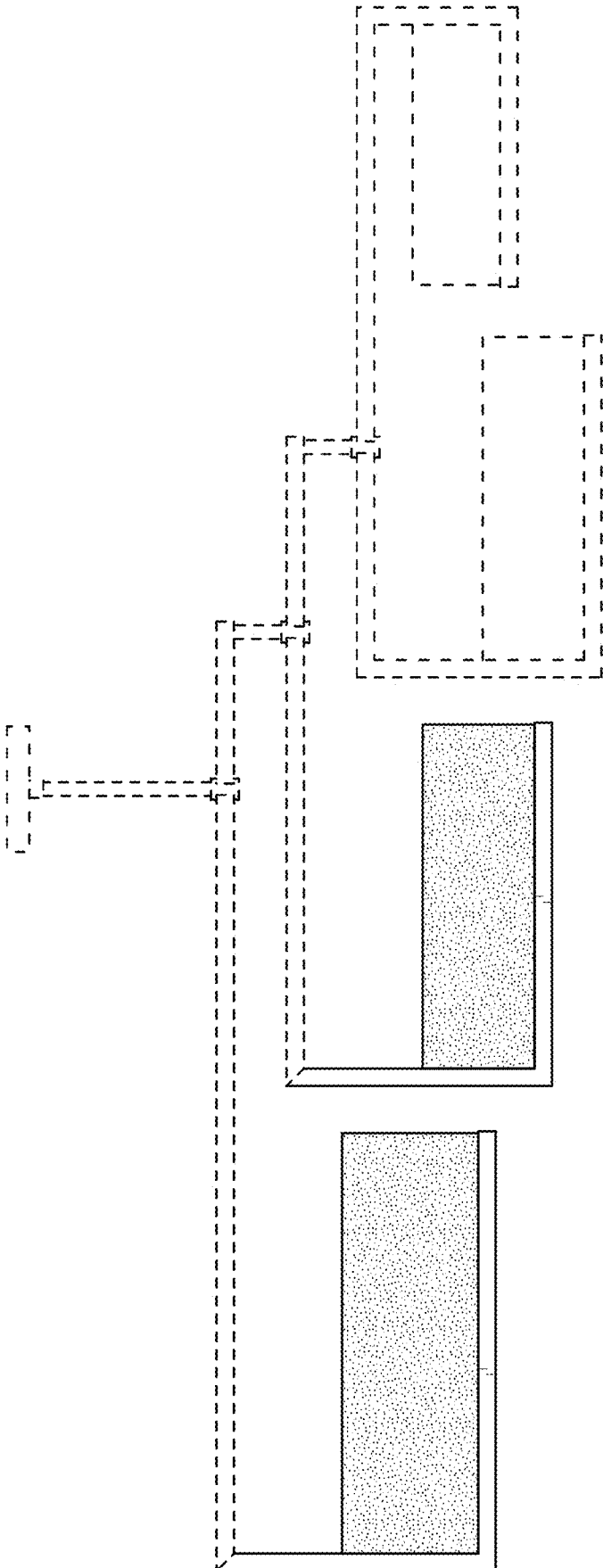


FIG. 12

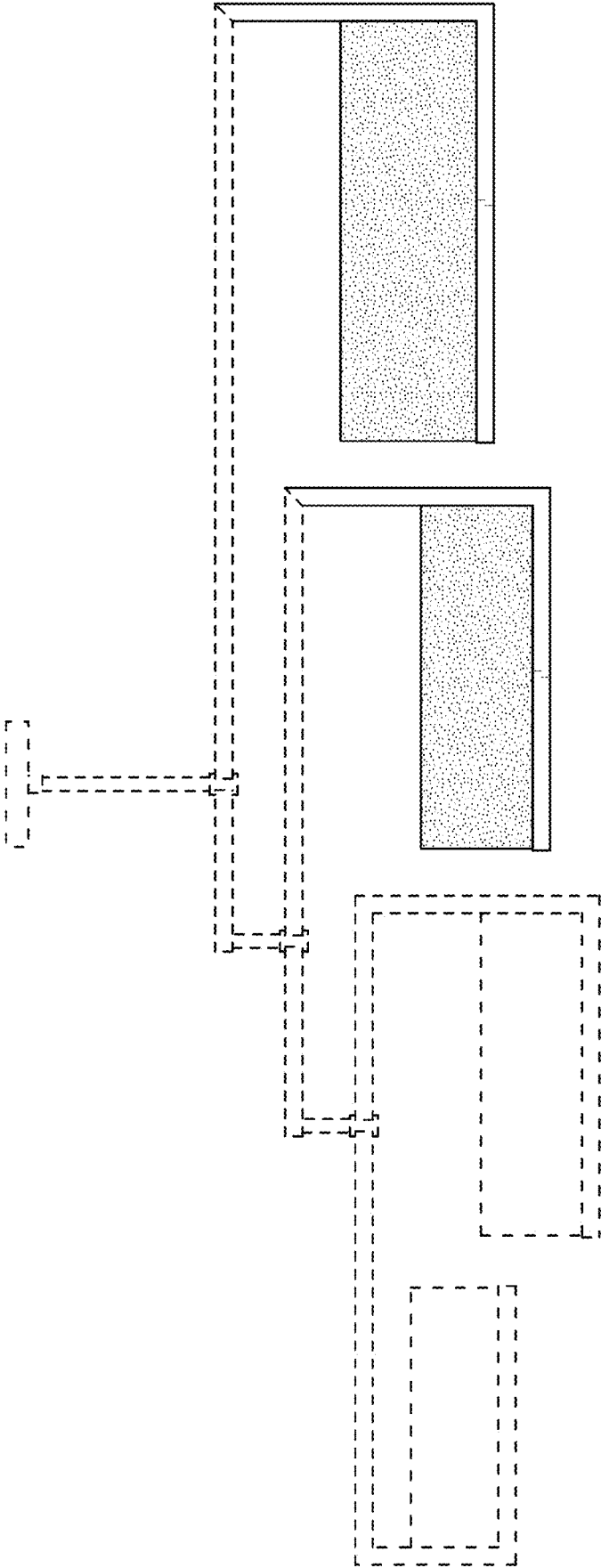


FIG. 13

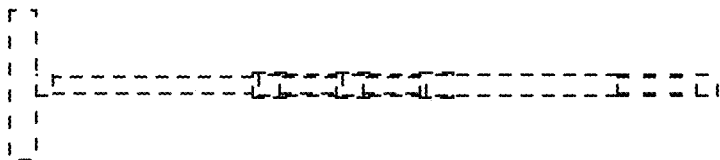


FIG. 15

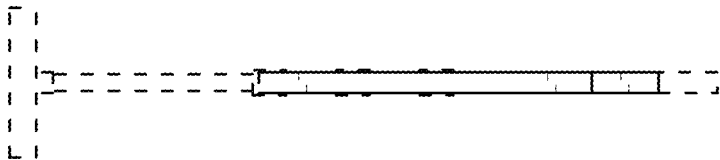


FIG. 14

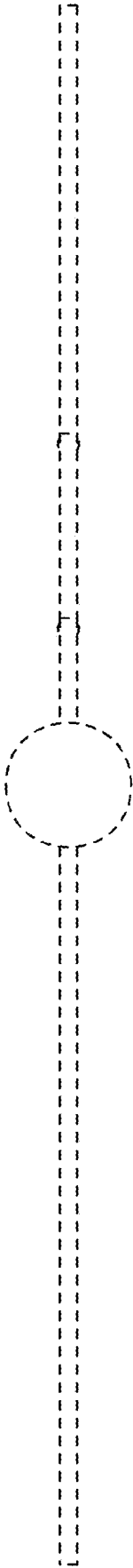


FIG. 16

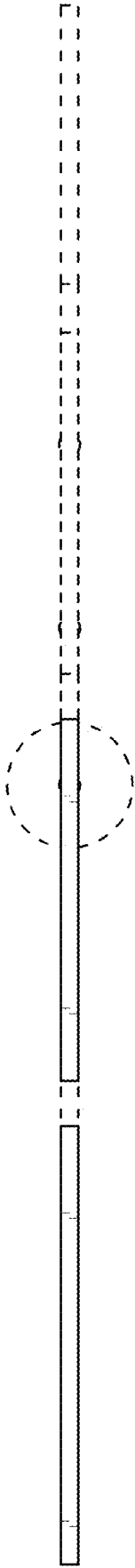


FIG. 17

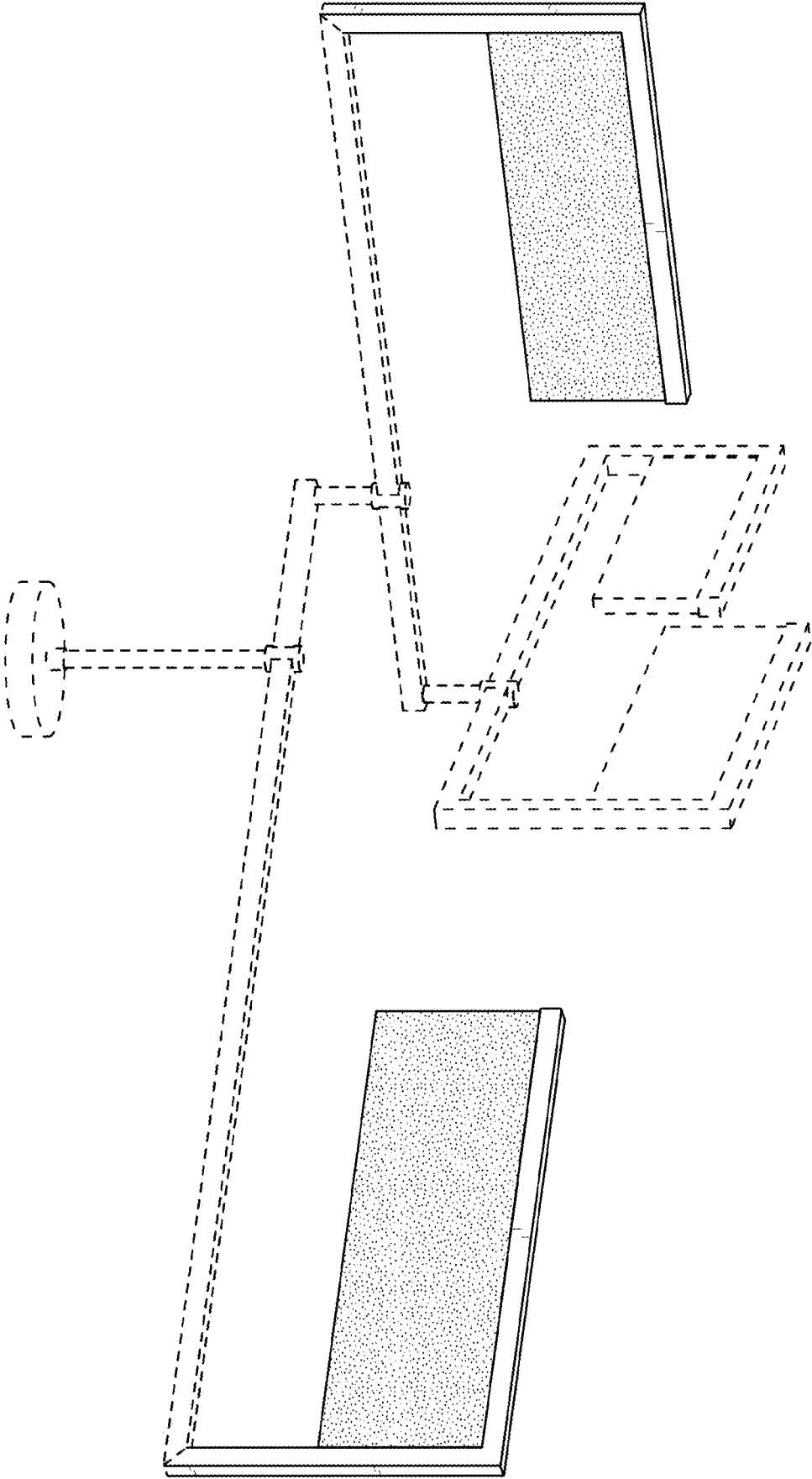


FIG. 18